



US00D575854S

(12) **United States Design Patent**  
**Gozzi et al.**

(10) **Patent No.:** **US D575,854 S**

(45) **Date of Patent:** **\*\* \*Aug. 26, 2008**

(54) **BASIN**

(75) Inventors: **Daniele Gozzi**, Carmel, CA (US);  
**Stephane Leduc**, Bösinggen (DE);  
**Holger Kappler**, Pfalzgrafenweiler (DE)

(73) Assignee: **Kappler USA**, Carmel, CA (US)

(\* ) Notice: This patent is subject to a terminal disclaimer.

(\*\*) Term: **14 Years**

(21) Appl. No.: **29/239,640**

(22) Filed: **Sep. 30, 2005**

(51) **LOC (8) Cl.** ..... **23-02**

(52) **U.S. Cl.** ..... **D23/284**

(58) **Field of Classification Search** ..... D23/273,  
D23/284–290, 293.1, 303, 308; 4/619–620,  
4/624–625, 630–631, 661; D6/441–442;  
312/140.1–140.3, 204, 228

See application file for complete search history.

(56) **References Cited**

**U.S. PATENT DOCUMENTS**

- D151,949 S \* 12/1948 Allen et al. .... D6/422
- D433,743 S \* 11/2000 Marshall et al. .... D23/293.1
- D500,125 S \* 12/2004 Messier et al. .... D23/292
- D521,129 S \* 5/2006 Bickford ..... D23/293.1

\* cited by examiner

*Primary Examiner*—Robert A Delehanty

(74) *Attorney, Agent, or Firm*—Adam L. Brookman; Boyle Fredrickson, S.C.

(57) **CLAIM**

The ornamental design of a basin, substantially as shown and described.

**DESCRIPTION**

FIG. 1 is a perspective view of a basin and counter showing one embodiment of the new design;

FIG. 2 is a top view of the basin of FIG. 1;

FIG. 3 is a side view of the basin and counter of FIG. 1;

FIG. 4 is a front view of the basin and counter of FIG. 1;

FIG. 5 is a perspective view of a basin and counter showing a second embodiment of the new design;

FIG. 6 is a second perspective view of the basin and counter of FIG. 5;

FIG. 7 is a front view of the basin and counter of FIG. 5;

FIG. 8 is left side view of the basin and counter of FIG. 5;

FIG. 9 is right side view of the basin and counter of FIG. 5;

FIG. 10 is a top view of the basin and counter of FIG. 5;

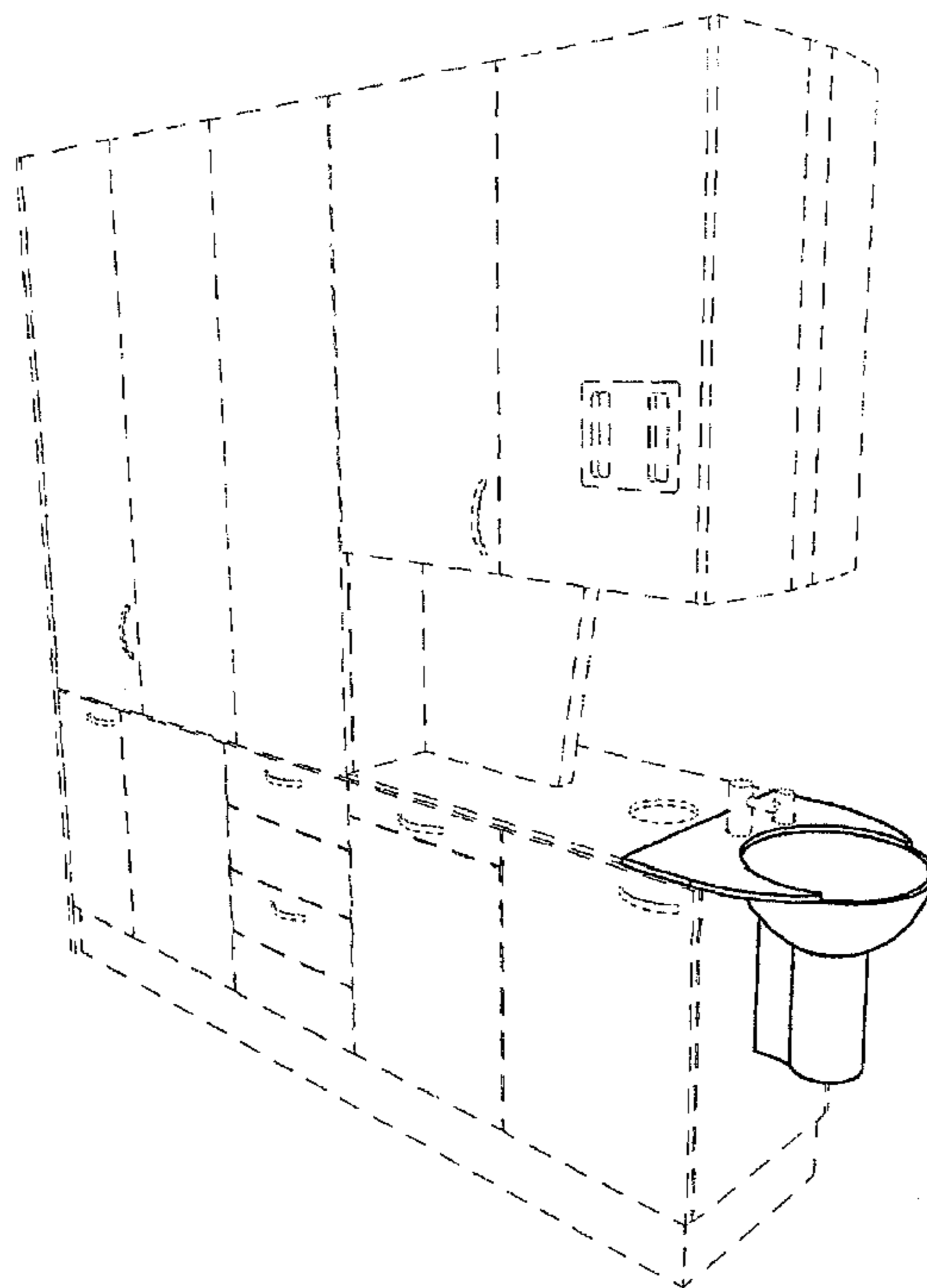
FIG. 11 is a perspective view of the basin of FIGS. 1 and 5;

FIG. 12 is a top view of the basin of FIGS. 1 and 5;

FIG. 13 is a left side view of the basin of FIGS. 1 and 5, the right view being a mirror image thereof; and,

FIG. 14 is a front view of the basin of FIGS. 1 and 5.

**1 Claim, 11 Drawing Sheets**



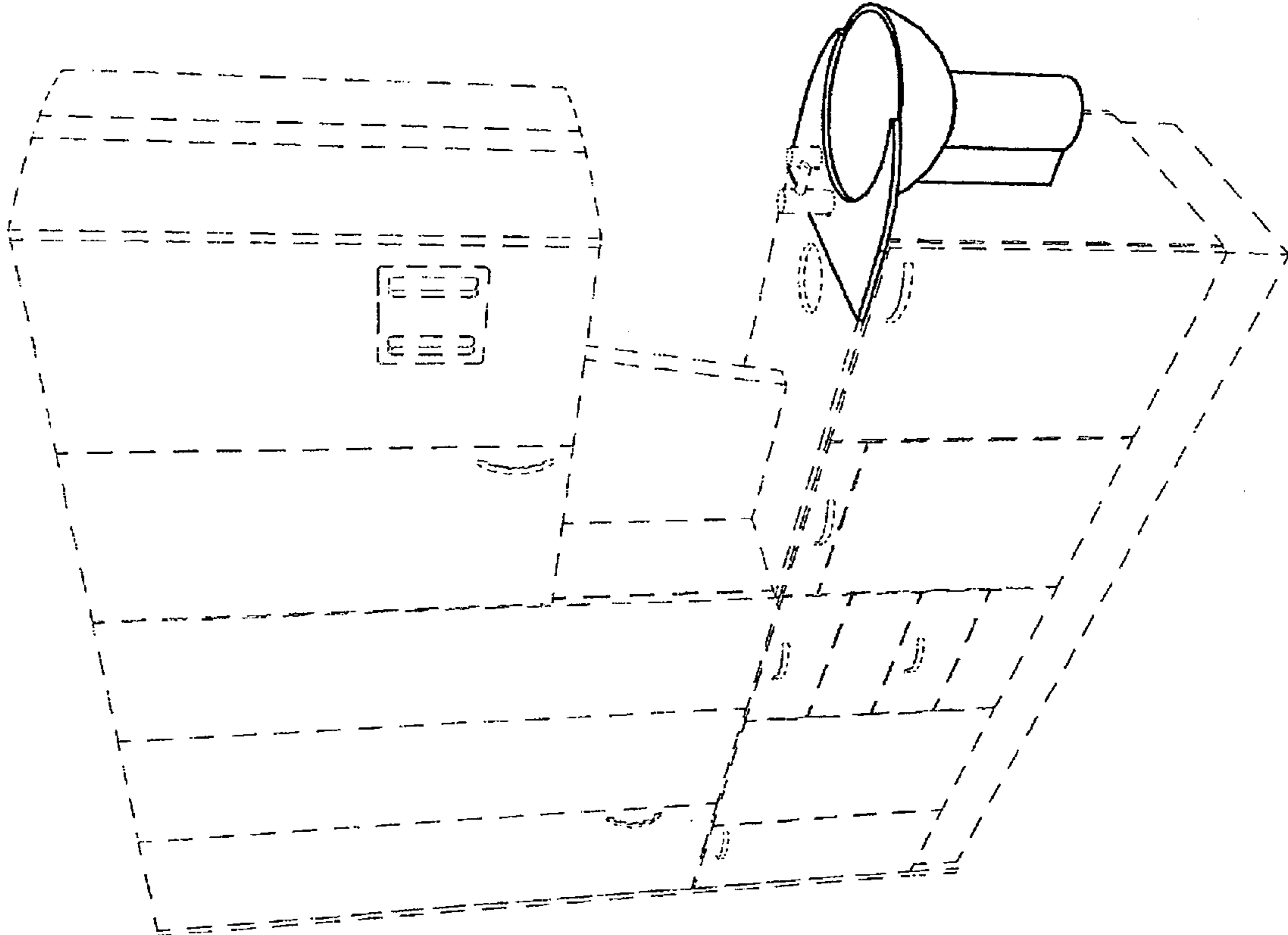


FIG. 1

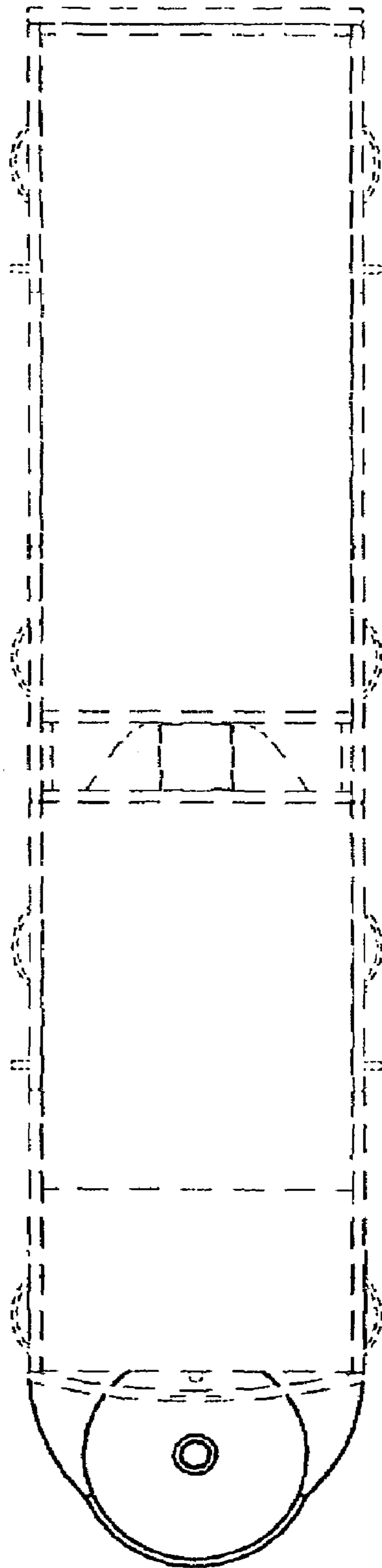


FIG. 2

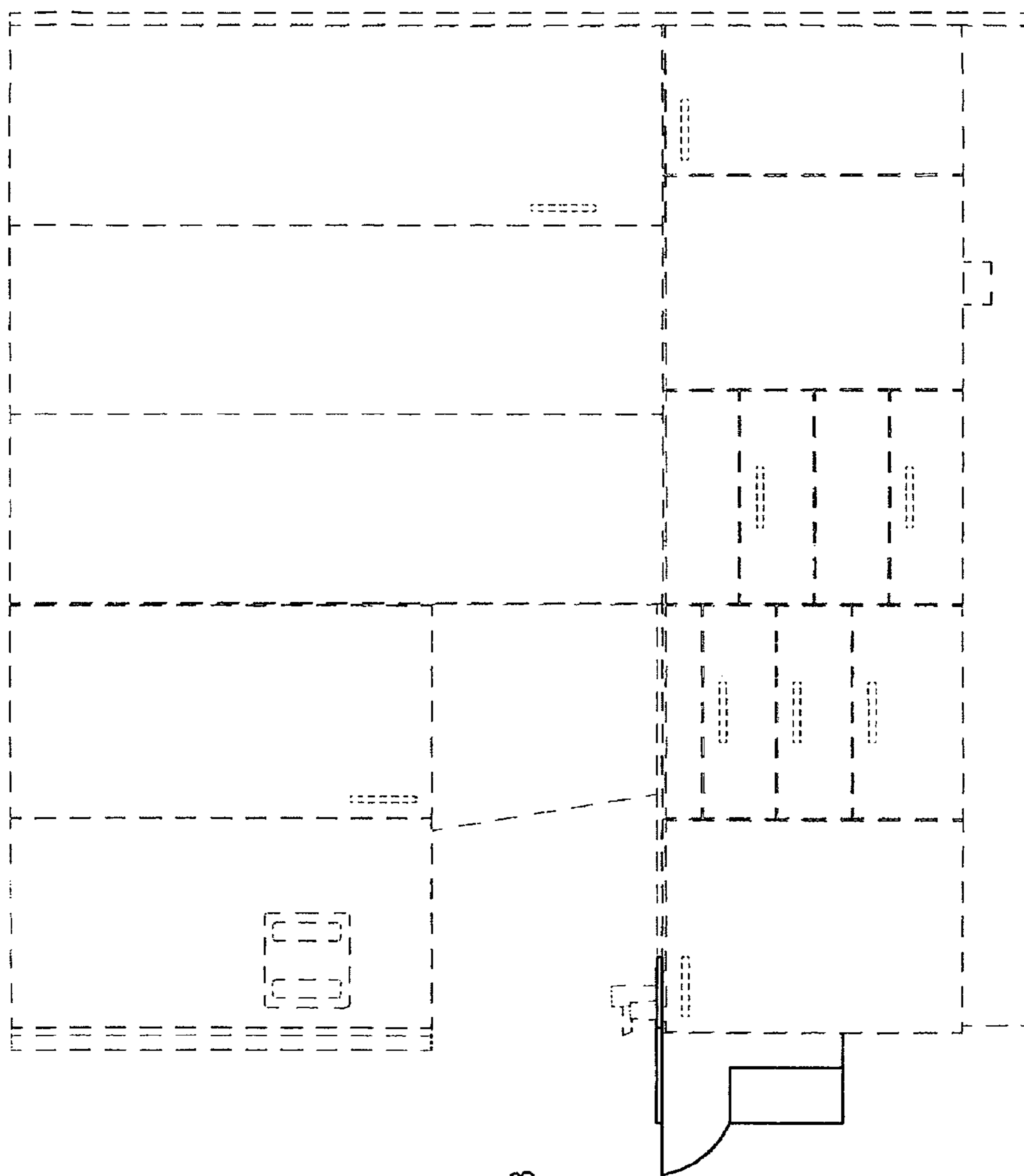
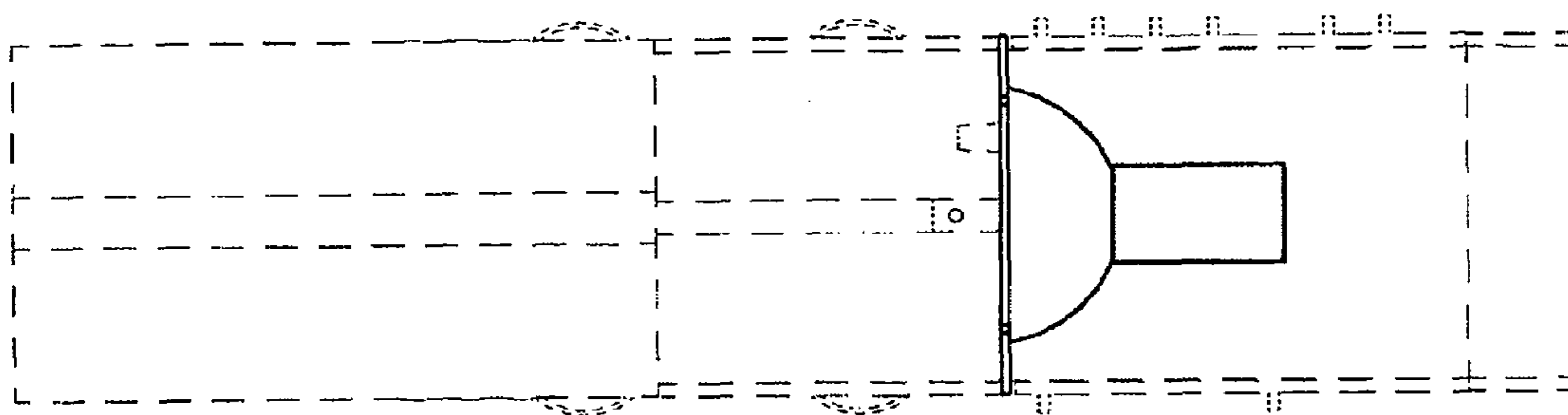


FIG. 3

FIG. 4



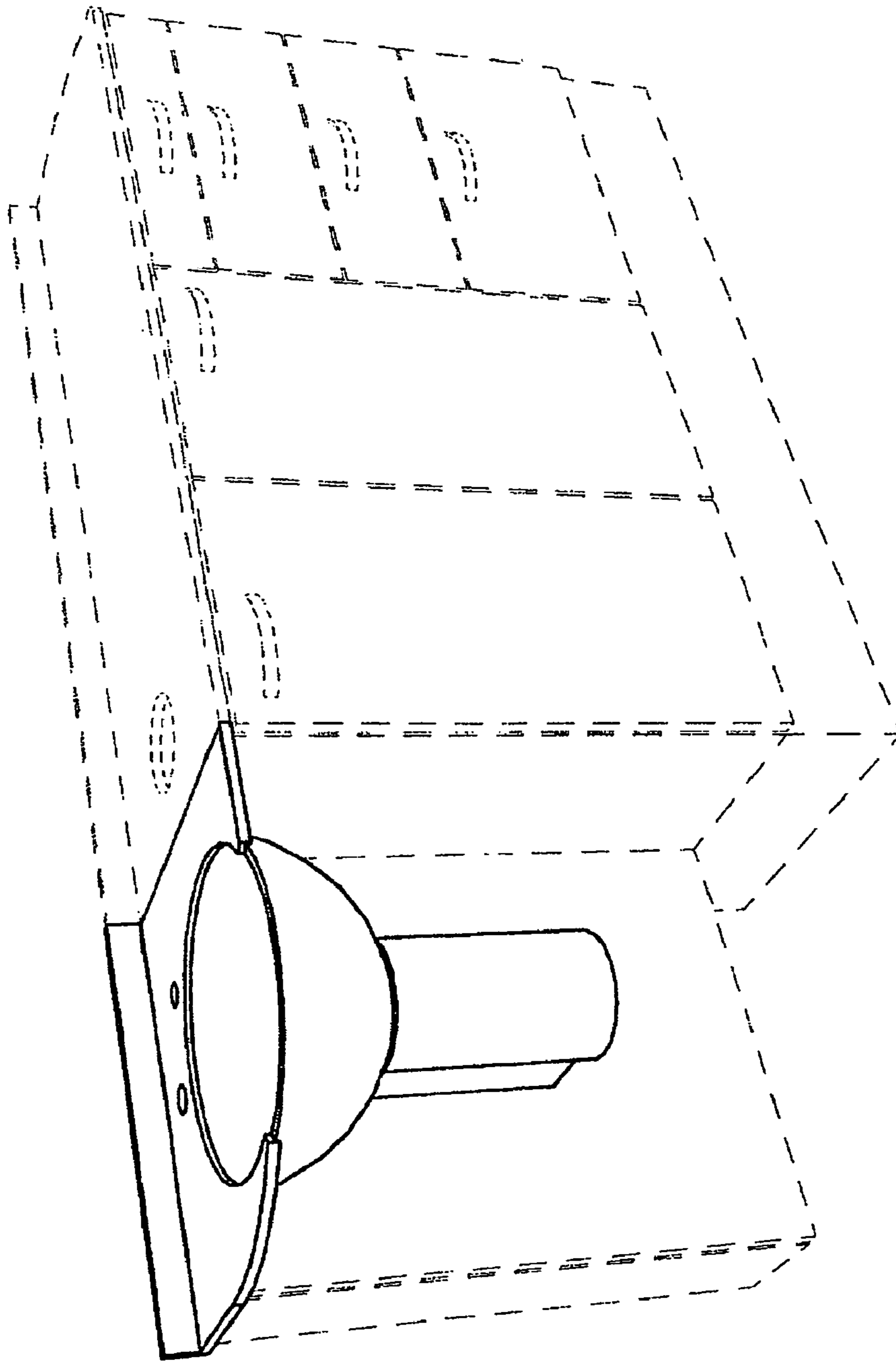


FIG. 5

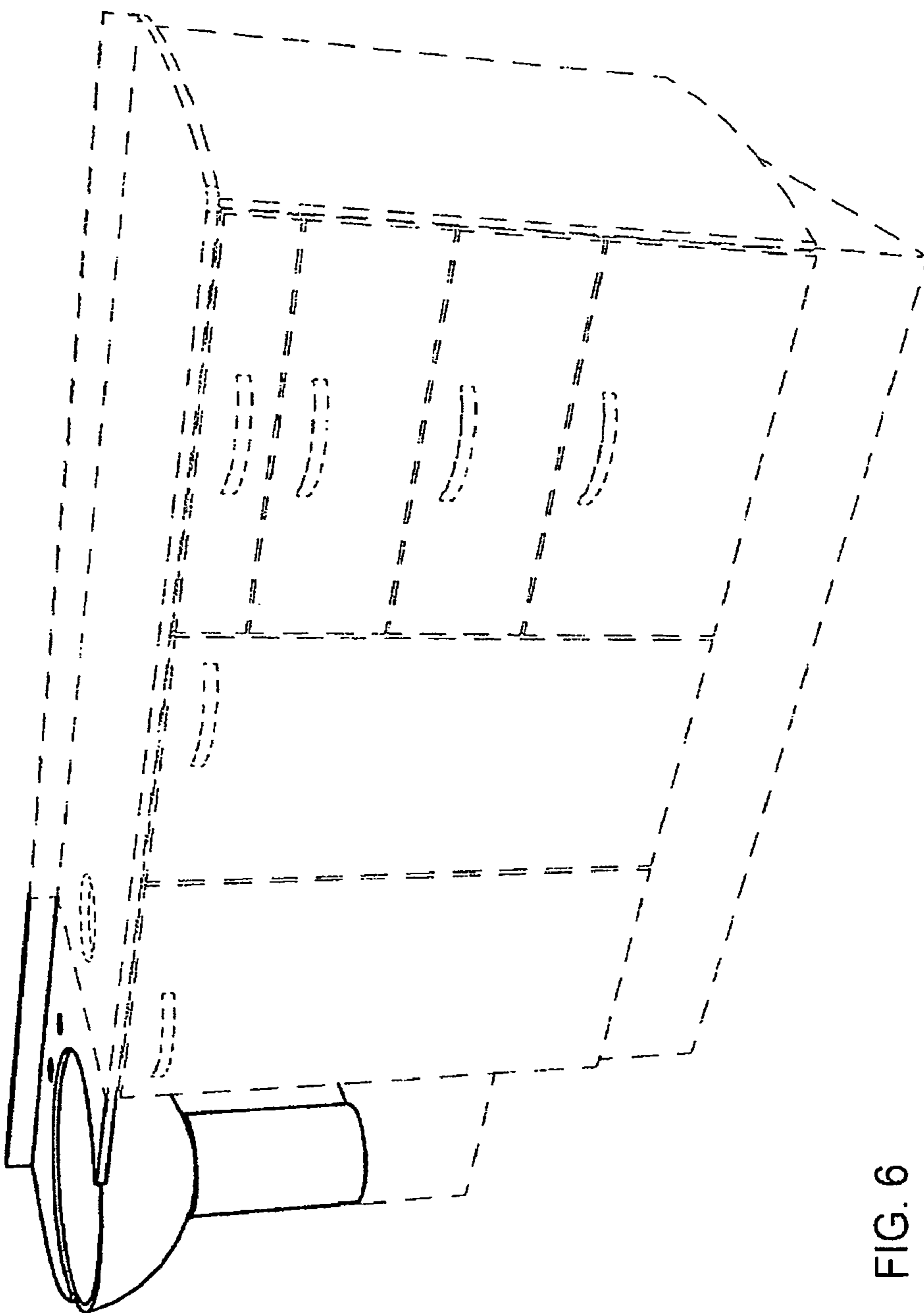


FIG. 6

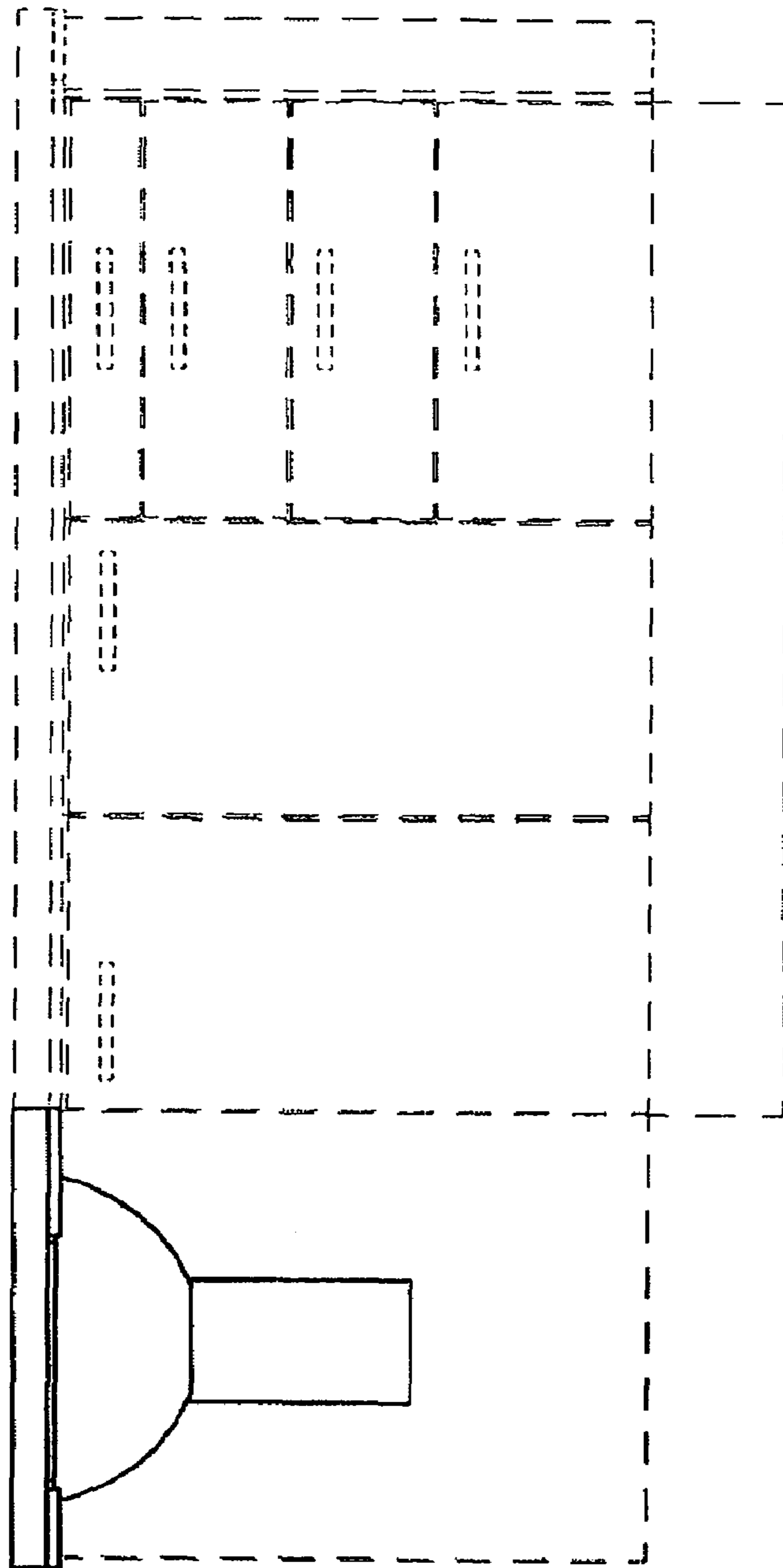


FIG. 7



FIG. 8

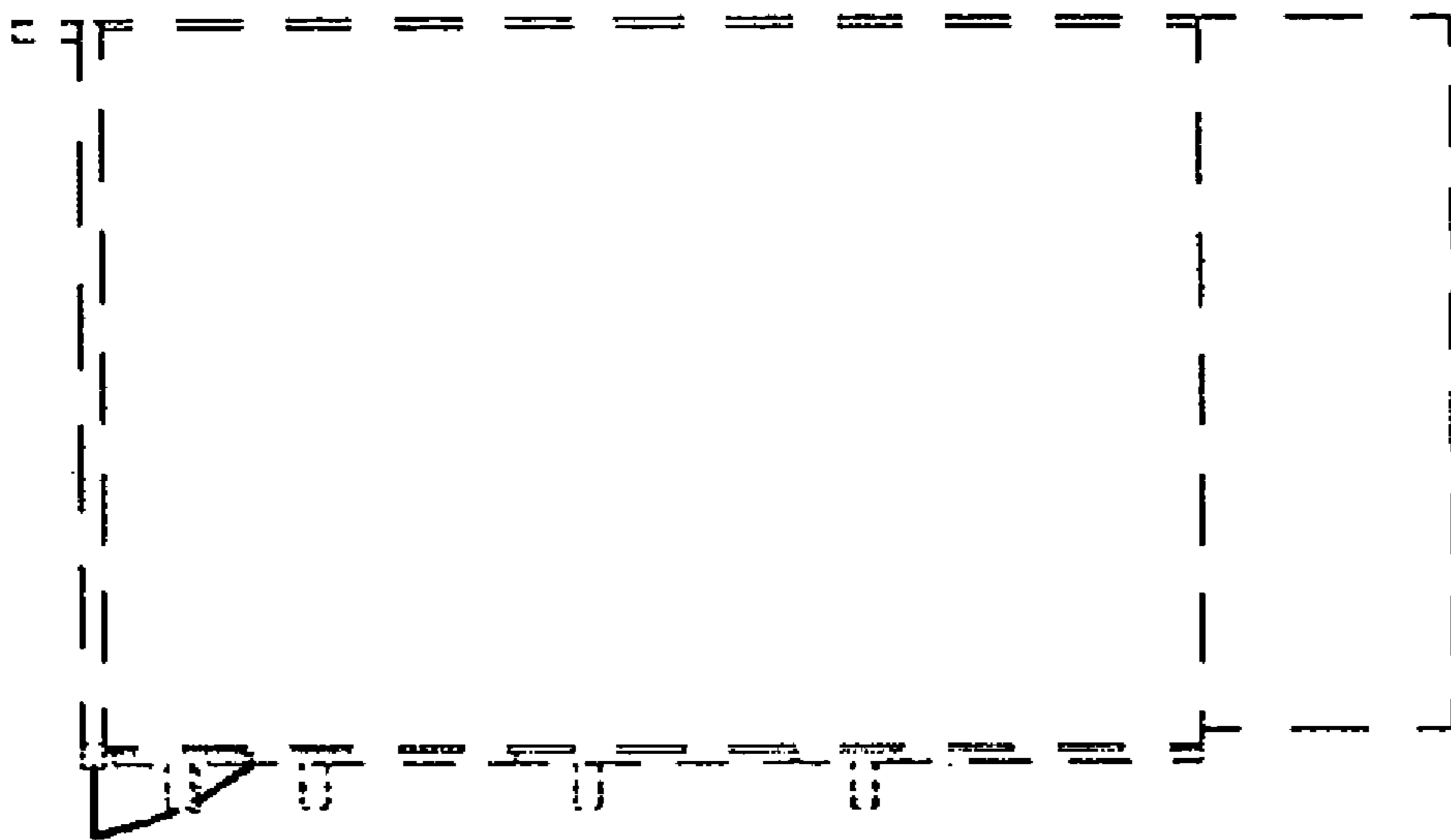
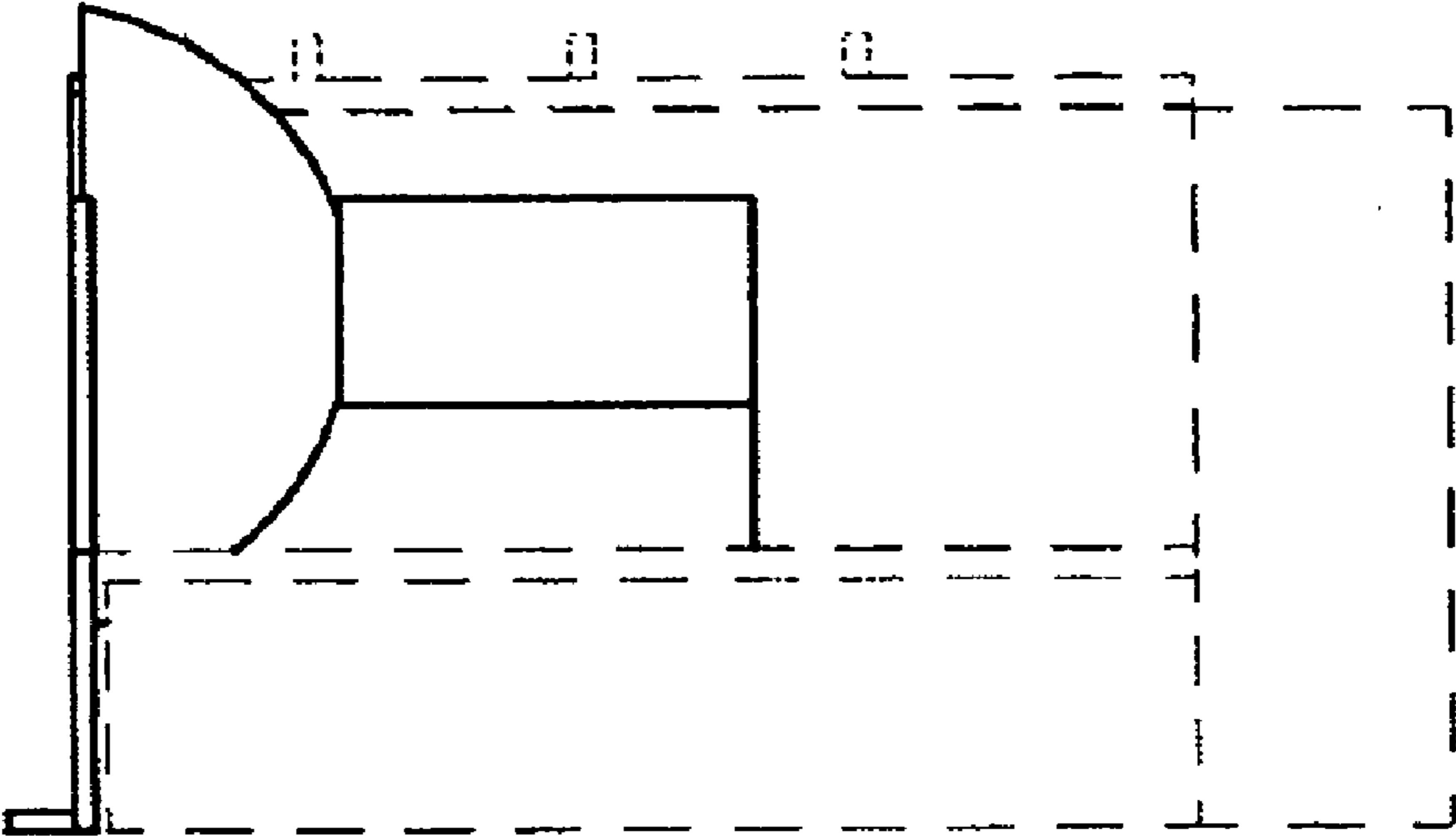


FIG. 9



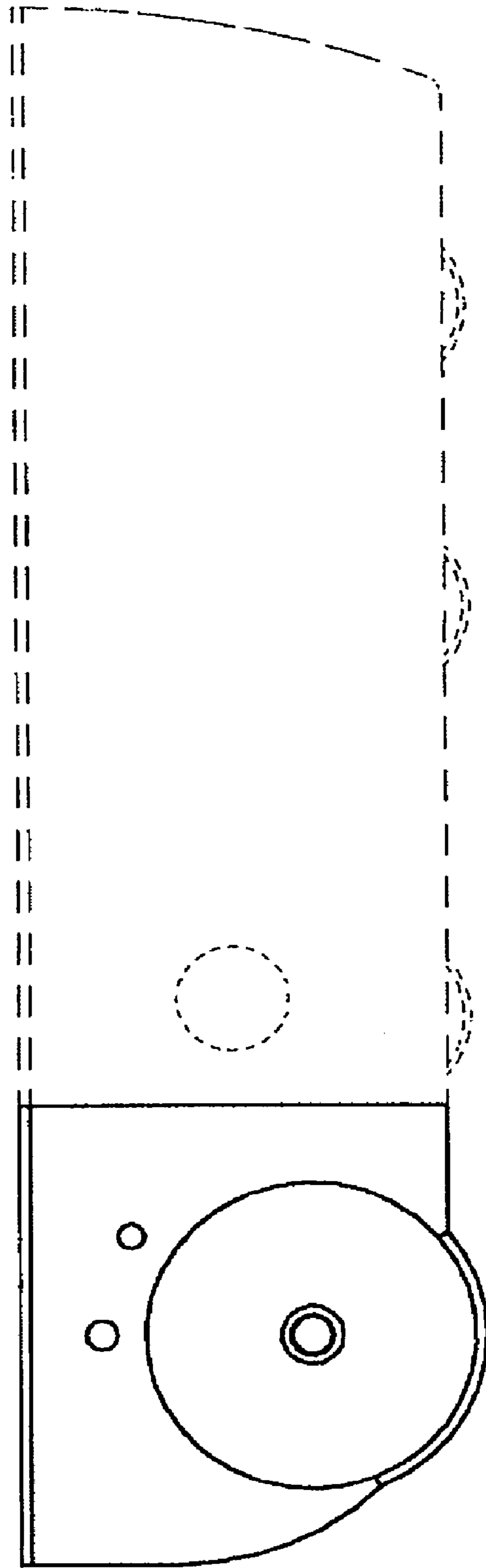


FIG. 10

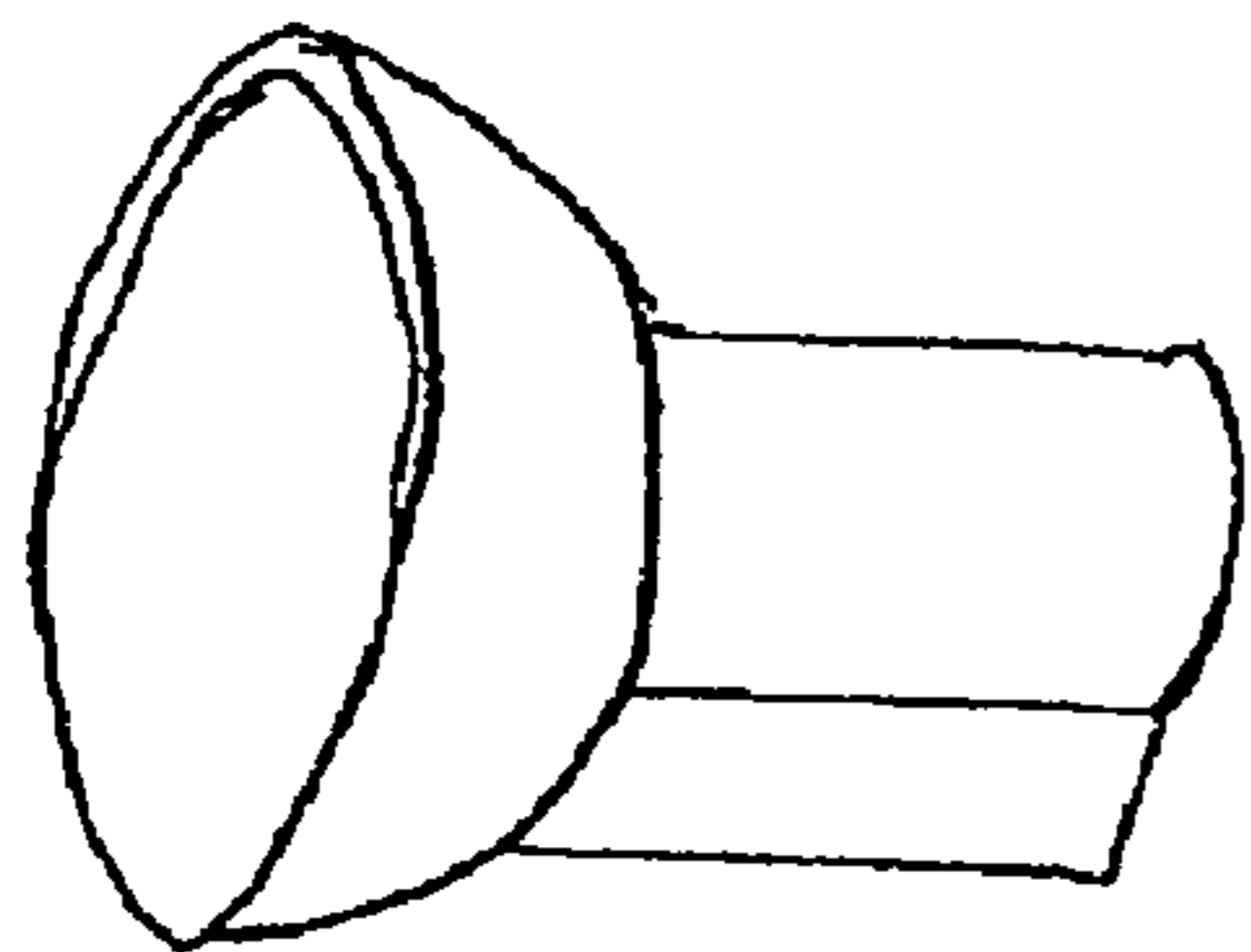


FIG. 11

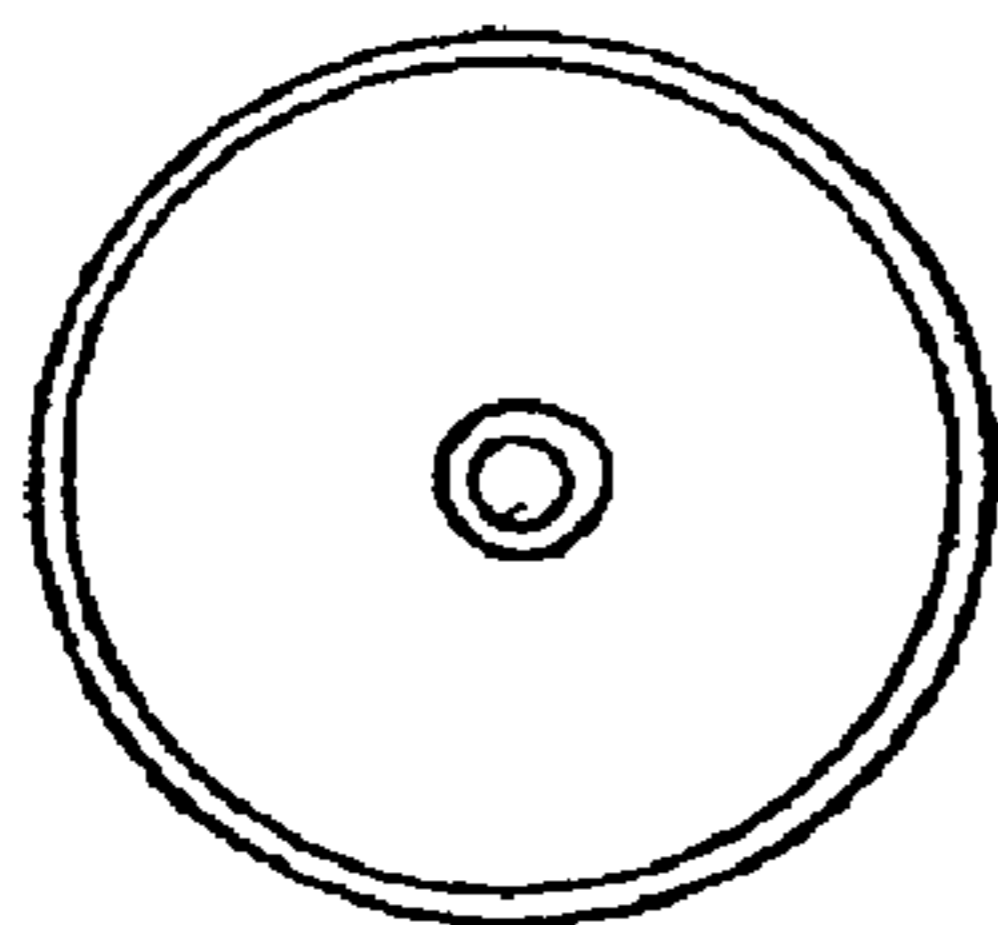


FIG. 12

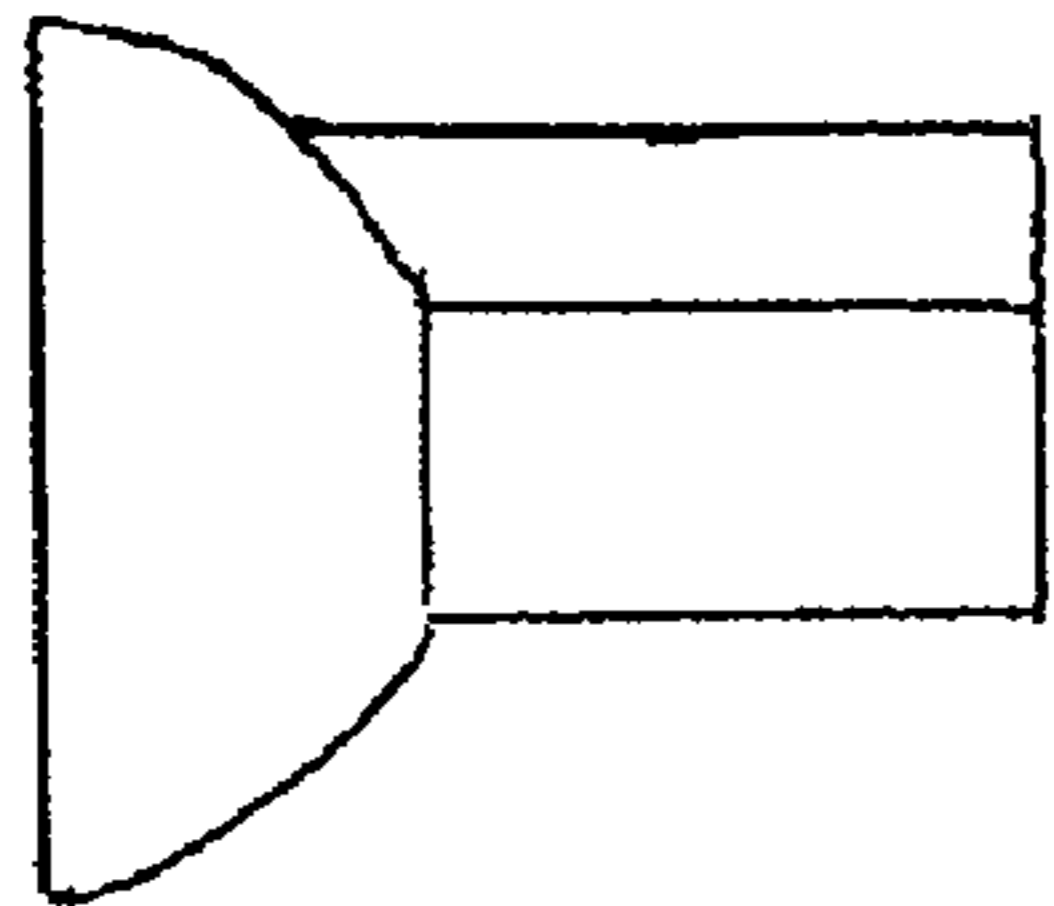


FIG. 13

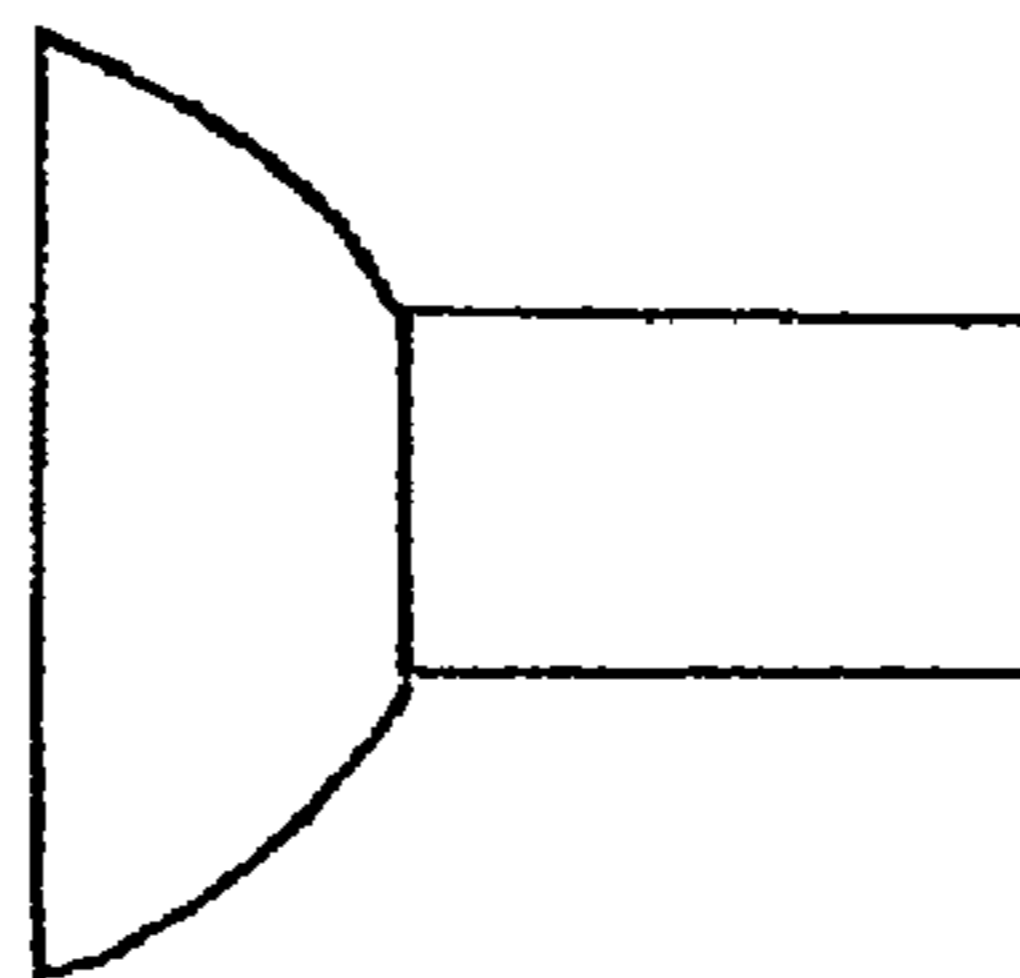


FIG. 14