



US00D575853S

(12) **United States Design Patent**
Adamson

(10) **Patent No.:** **US D575,853 S**

(45) **Date of Patent:** **** Aug. 26, 2008**

(54) **ROOF GUTTER RAINWATER COLLECTOR**

2005/0257433 A1* 11/2005 Dussault et al. 52/12

(76) Inventor: **William Adamson**, 25 Banool Street,
Kareela, New South Wales 2232 (AU)

* cited by examiner

(**) Term: **14 Years**

Primary Examiner—Louis S Zarfaz

Assistant Examiner—Eric L Goodman

(21) Appl. No.: **29/265,301**

(74) *Attorney, Agent, or Firm*—Jacobson and Johnson;
Thomas N. Phung

(22) Filed: **Aug. 29, 2006**

(57) **CLAIM**

(51) **LOC (8) Cl.** **23-01**

The ornamental design for a roof gutter rainwater collector, as shown and described.

(52) **U.S. Cl.** **D23/267**

(58) **Field of Classification Search** D23/205,
D23/267; 52/11–12, 16; 137/615, 357, 376,
137/587

See application file for complete search history.

DESCRIPTION

(56) **References Cited**

U.S. PATENT DOCUMENTS

4,171,709	A *	10/1979	Loftin	137/128
5,114,594	A *	5/1992	Rosebrock et al.	210/767
D326,705	S *	6/1992	Vanden burg et al.	D23/205
5,522,427	A *	6/1996	Johnson	137/616.5
5,730,179	A *	3/1998	Taylor	137/357
6,966,333	B1 *	11/2005	Kuehneman	137/357
D542,885	S *	5/2007	Knackstedt	D23/202

FIG. 1, is a front perspective view of a roof gutter rainwater collector showing my new design;

FIG. 2 is a front elevation view thereof;

FIG. 3 is a side elevation view thereof, the other side being the same;

FIG. 4 is a rear elevation view thereof;

FIG. 5 is a top plan view thereof; and,

FIG. 6 is a bottom plan view thereof.

1 Claim, 5 Drawing Sheets

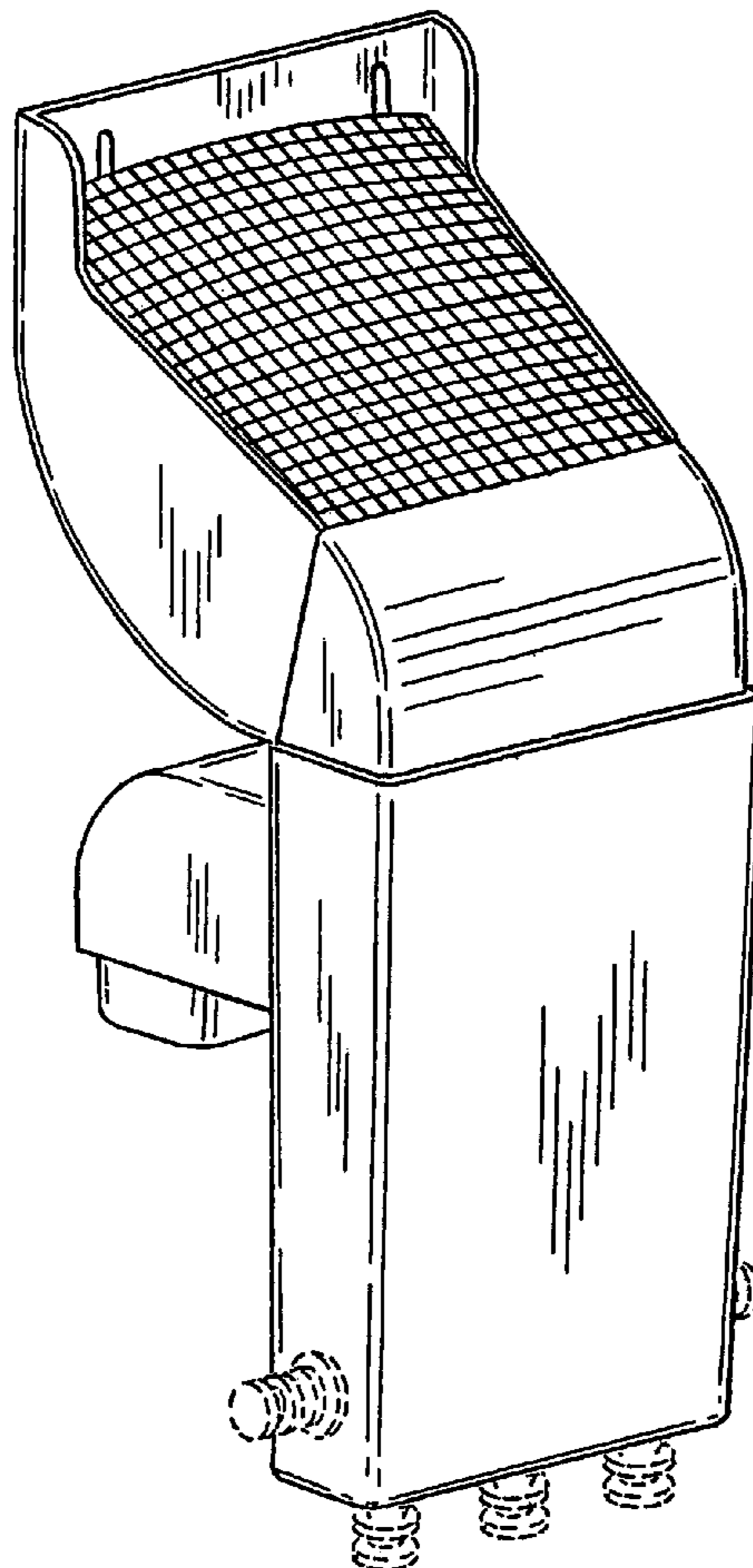


FIG. 1

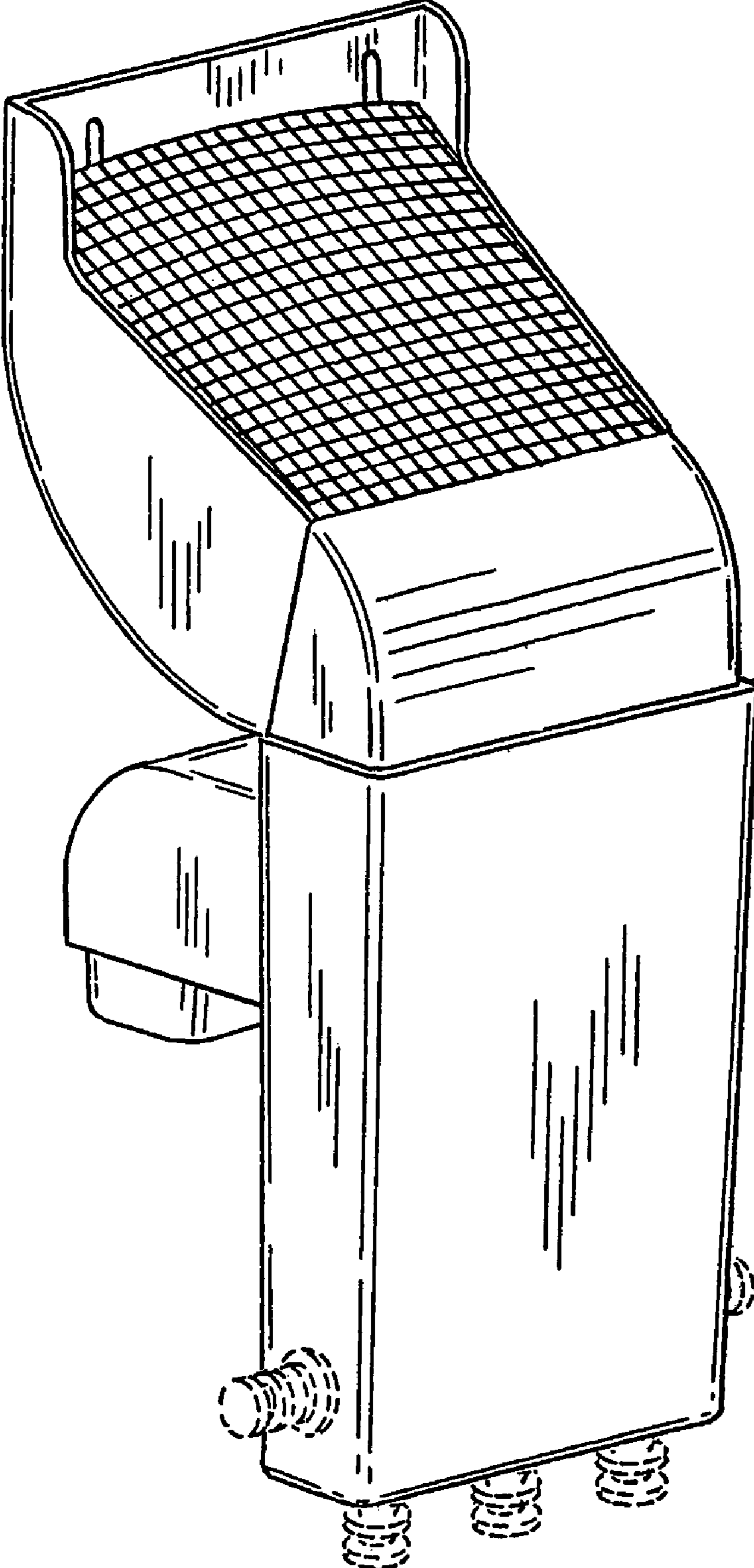


FIG. 2

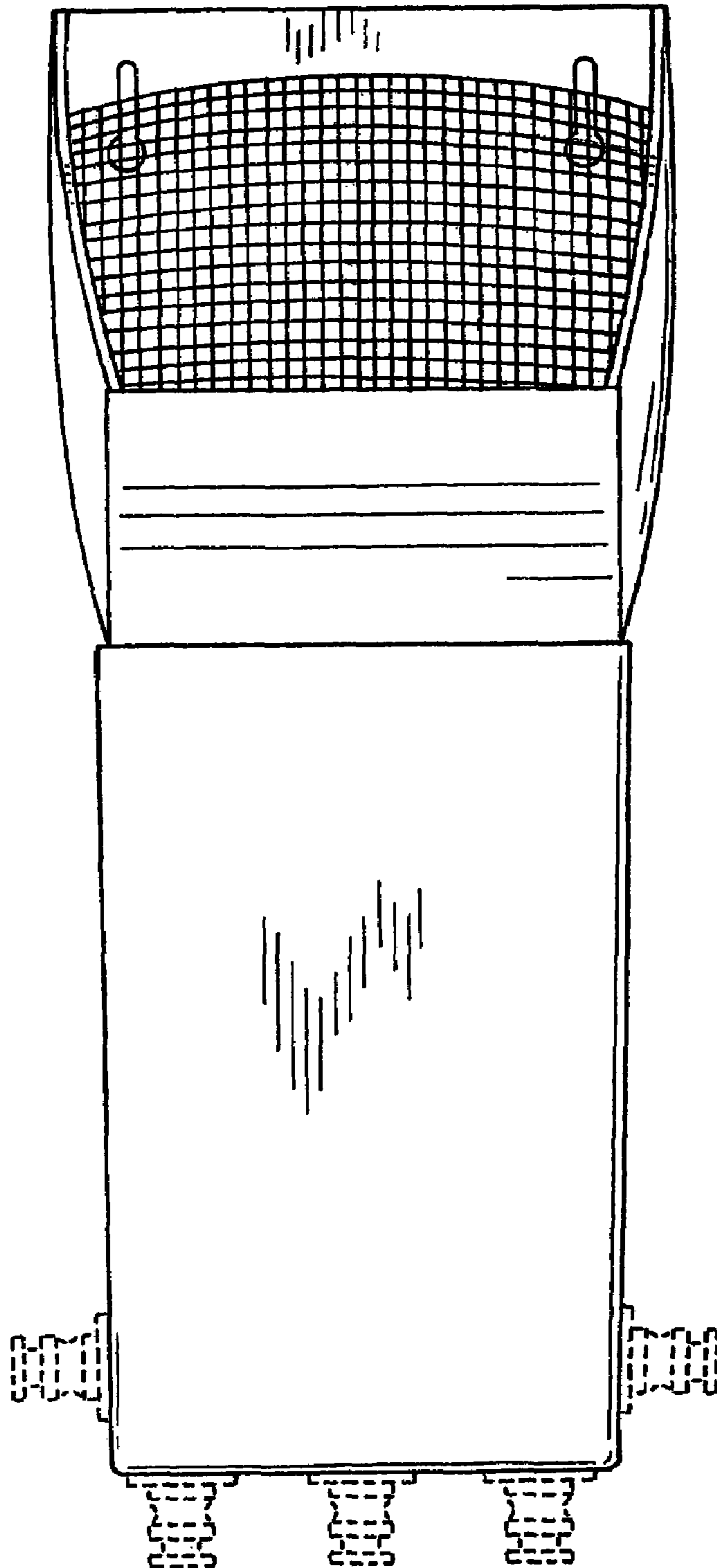


FIG. 3

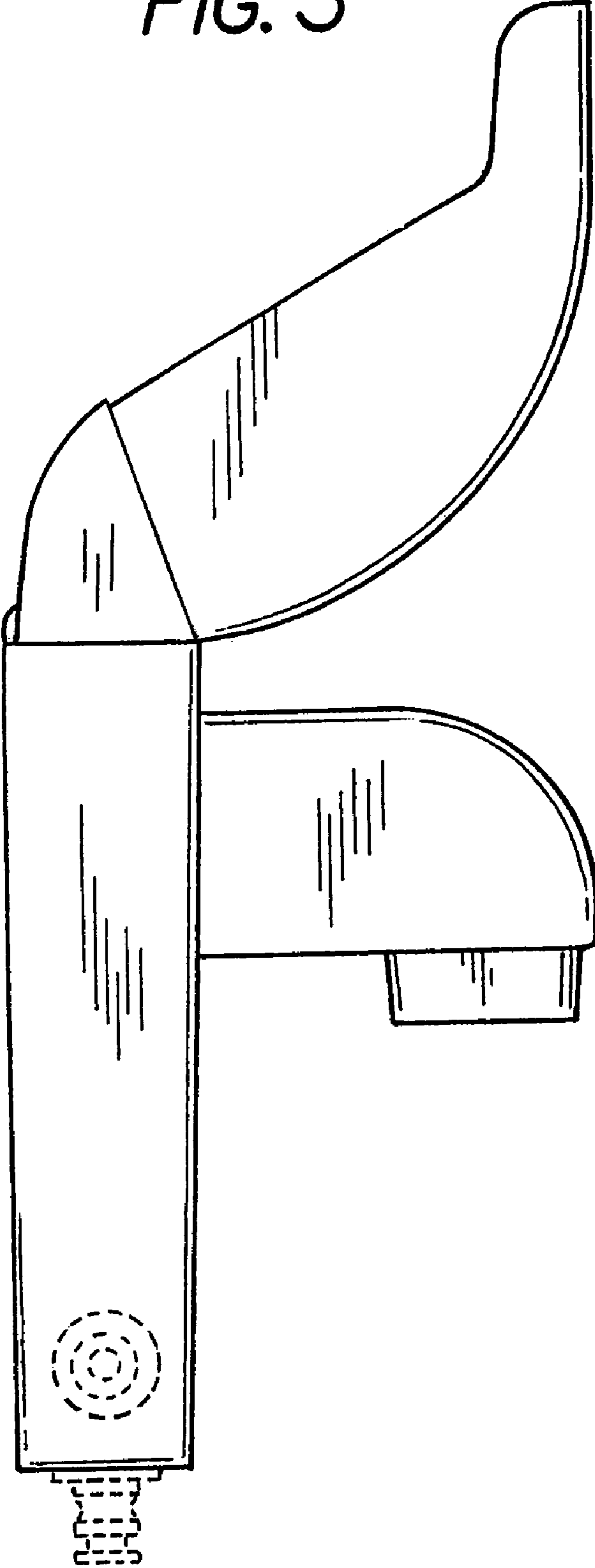


FIG. 4

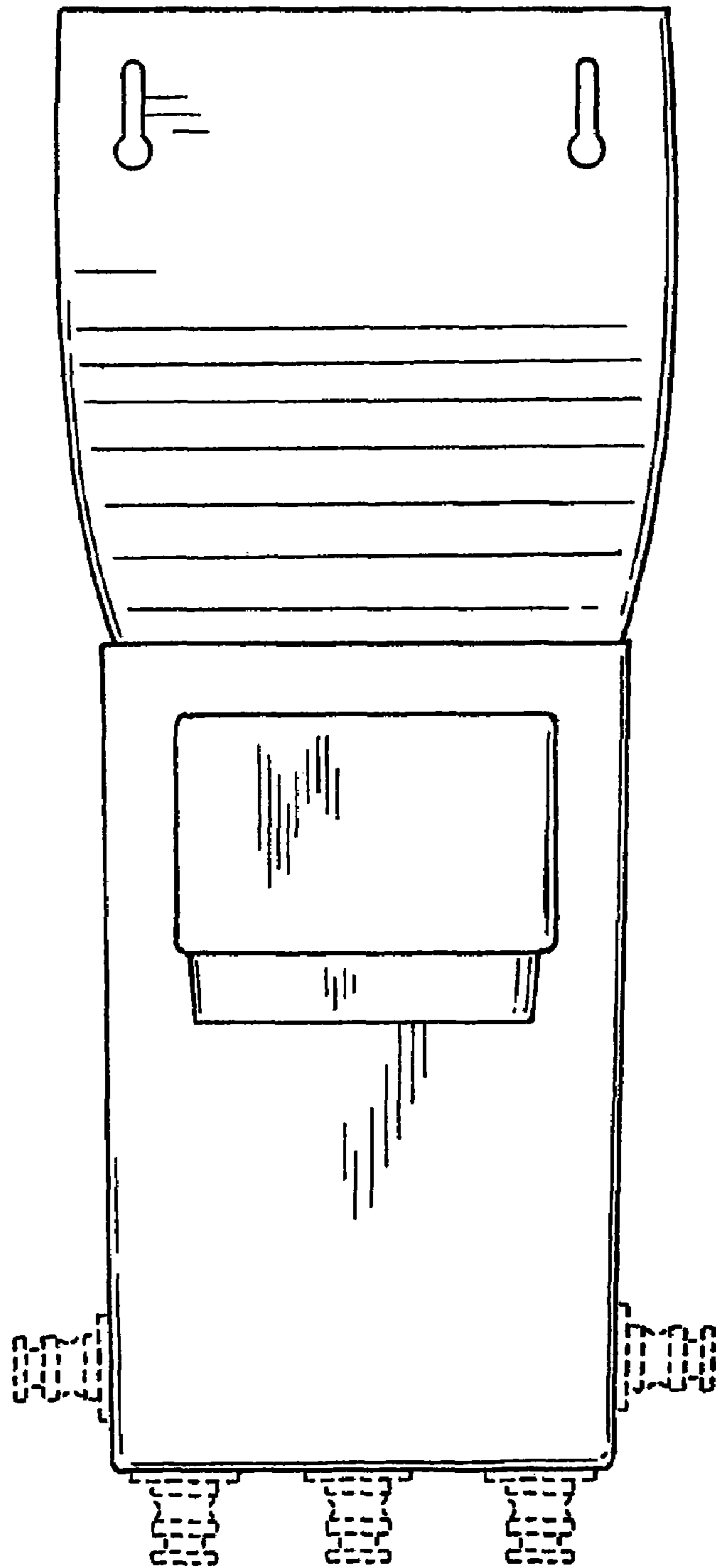


FIG. 5

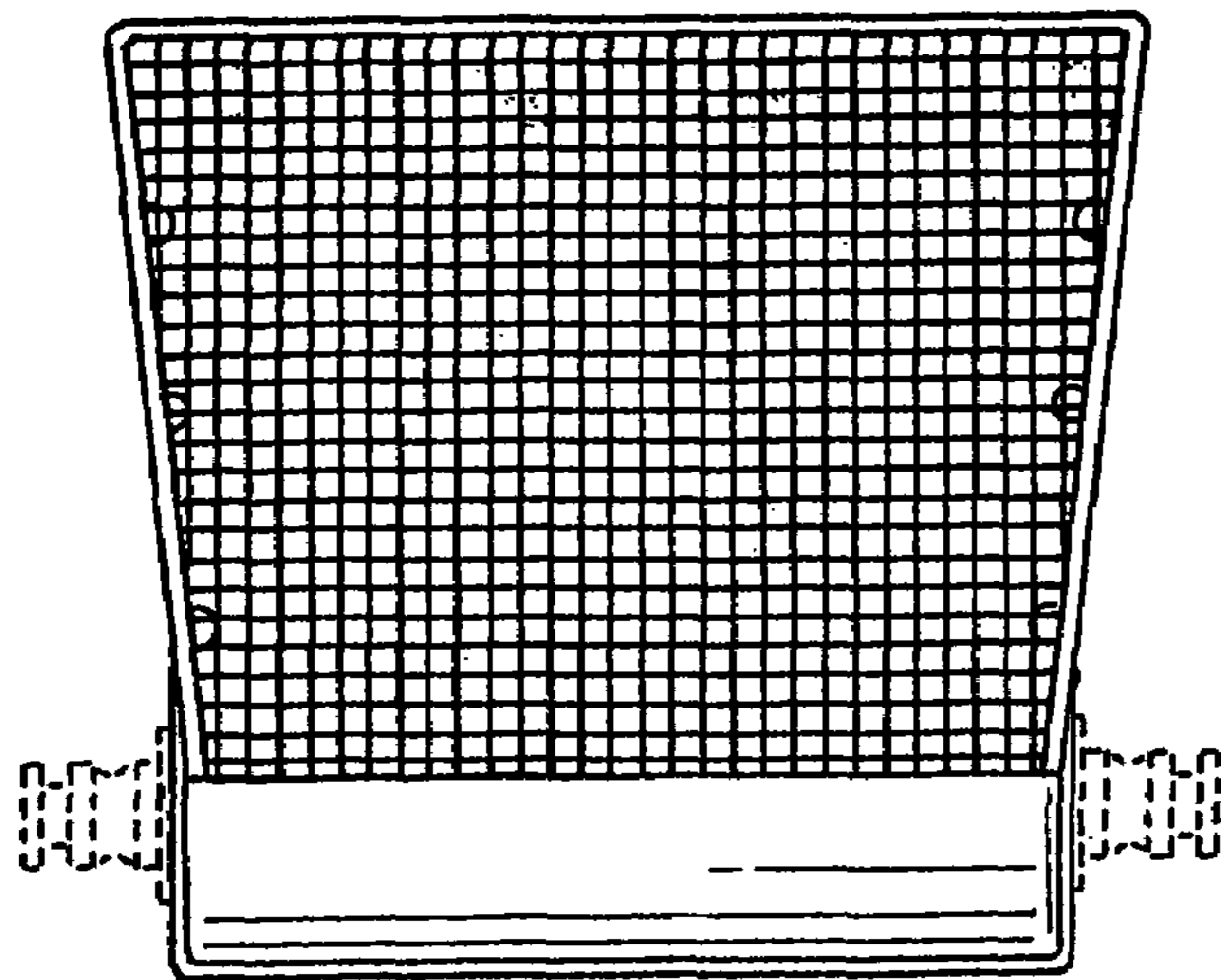


FIG. 6

