



US00D575851S

(12) **United States Design Patent**
Ko

(10) **Patent No.:** **US D575,851 S**

(45) **Date of Patent:** **** Aug. 26, 2008**

(54) **FAUCET SET**

D511,371 S * 11/2005 Chen D23/241
D557,383 S * 12/2007 Garner D23/255

(75) Inventor: **Hsi Chia Ko**, Changhua Hsien (TW)

* cited by examiner

(73) Assignee: **Chung Cheng Faucet Co., Ltd.**,
Changhua Hsien (TW)

Primary Examiner—Robert A Delehanty

(74) *Attorney, Agent, or Firm*—Troxell Law Office, PLLC

(**) Term: **14 Years**

(57) **CLAIM**

(21) Appl. No.: **29/272,081**

The ornamental design for the “faucet set,” as shown and described.

(22) Filed: **Feb. 1, 2007**

DESCRIPTION

(51) **LOC (8) Cl.** **23-02**

FIG. 1 is a perspective view of a faucet set showing my new design;

(52) **U.S. Cl.** **D23/241**

FIG. 2 is a front view thereof;

(58) **Field of Classification Search** D23/250–257,
D23/238–243, 244–249; 4/675–678; D8/300,
D8/307–308, 310–312, 321; D6/550; 137/801;
16/110.1, 441

FIG. 3 is a rear view thereof;

FIG. 4 is a left side view thereof;

See application file for complete search history.

FIG. 5 is a right side view thereof;

FIG. 6 is a top view thereof; and,

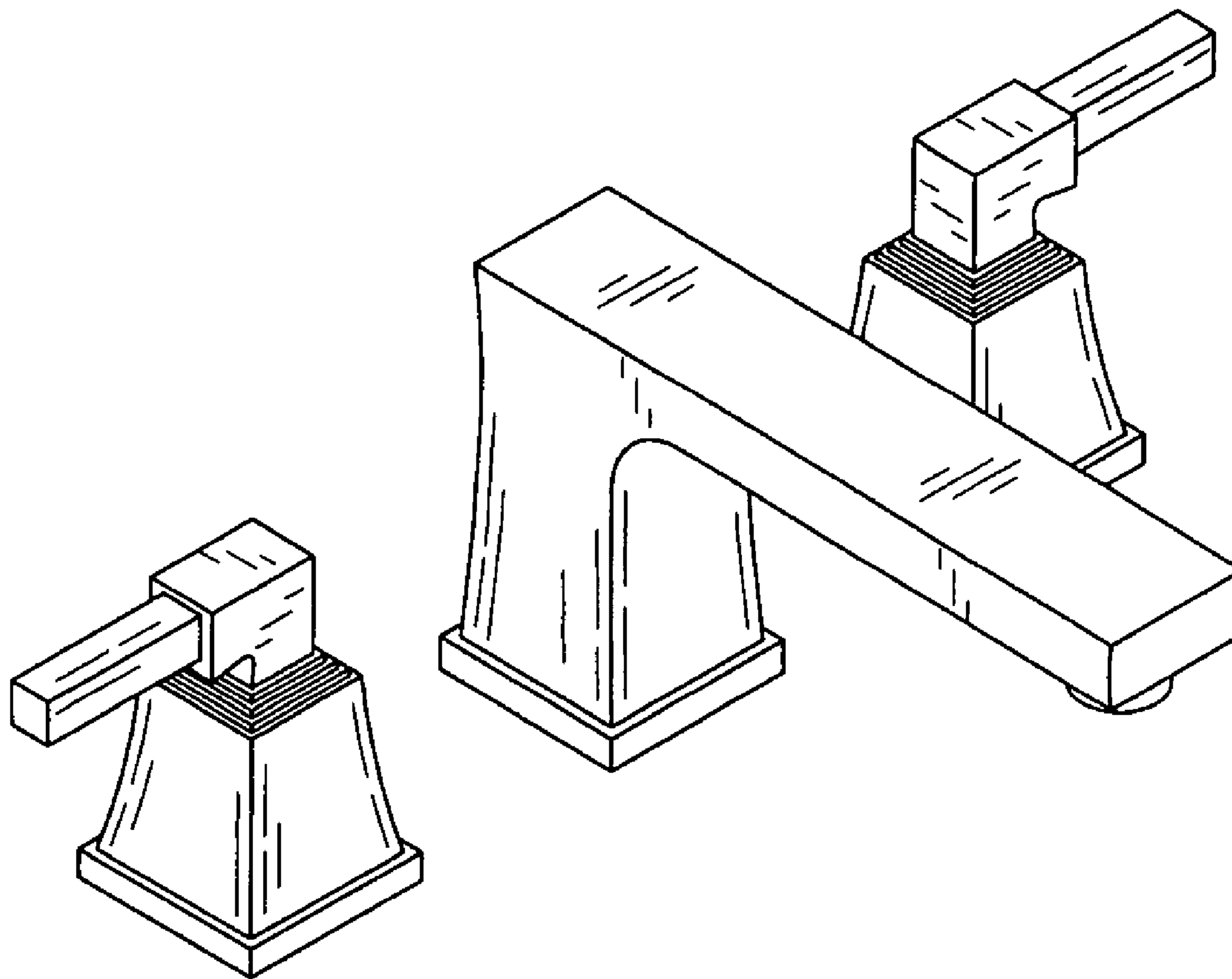
FIG. 7 is a bottom view thereof.

(56) **References Cited**

U.S. PATENT DOCUMENTS

D461,527 S * 8/2002 Ko D23/241

1 Claim, 4 Drawing Sheets



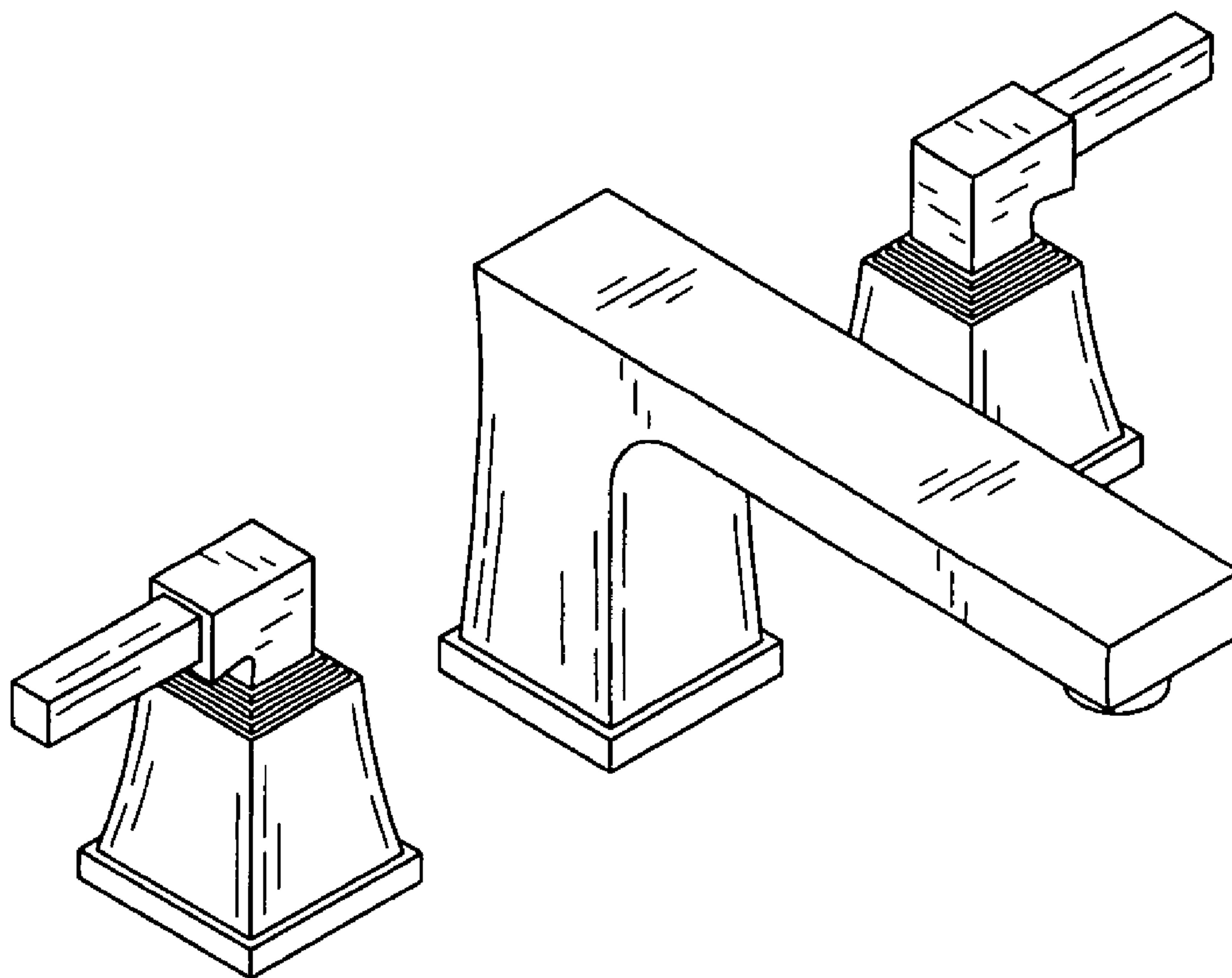


FIG. 1

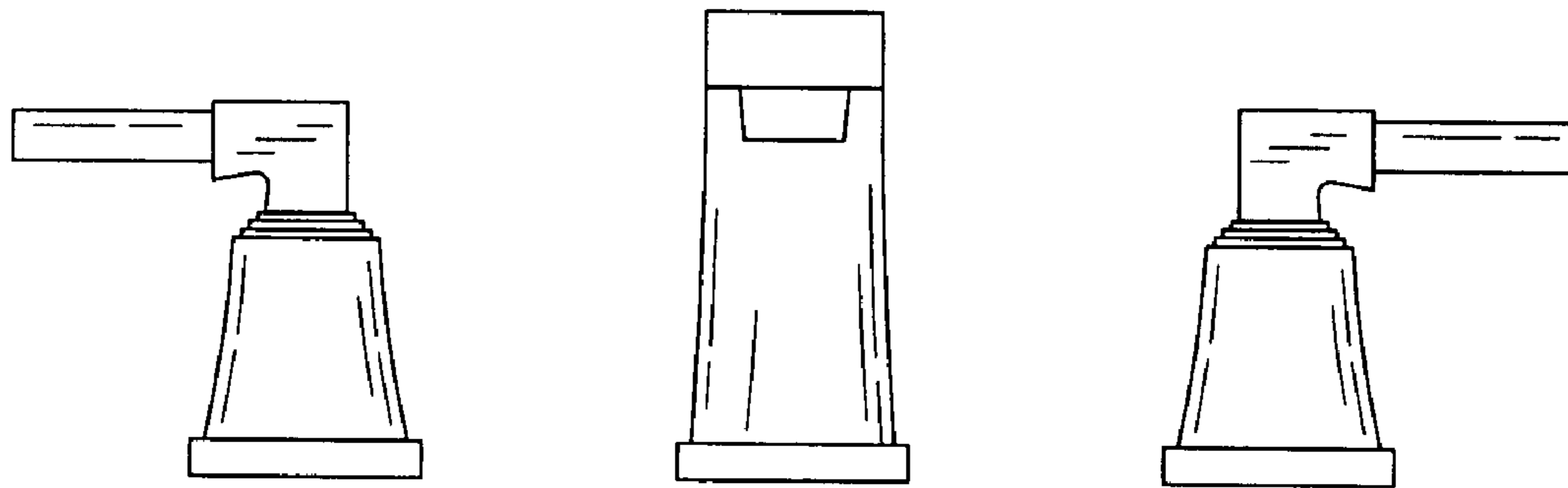


FIG. 2

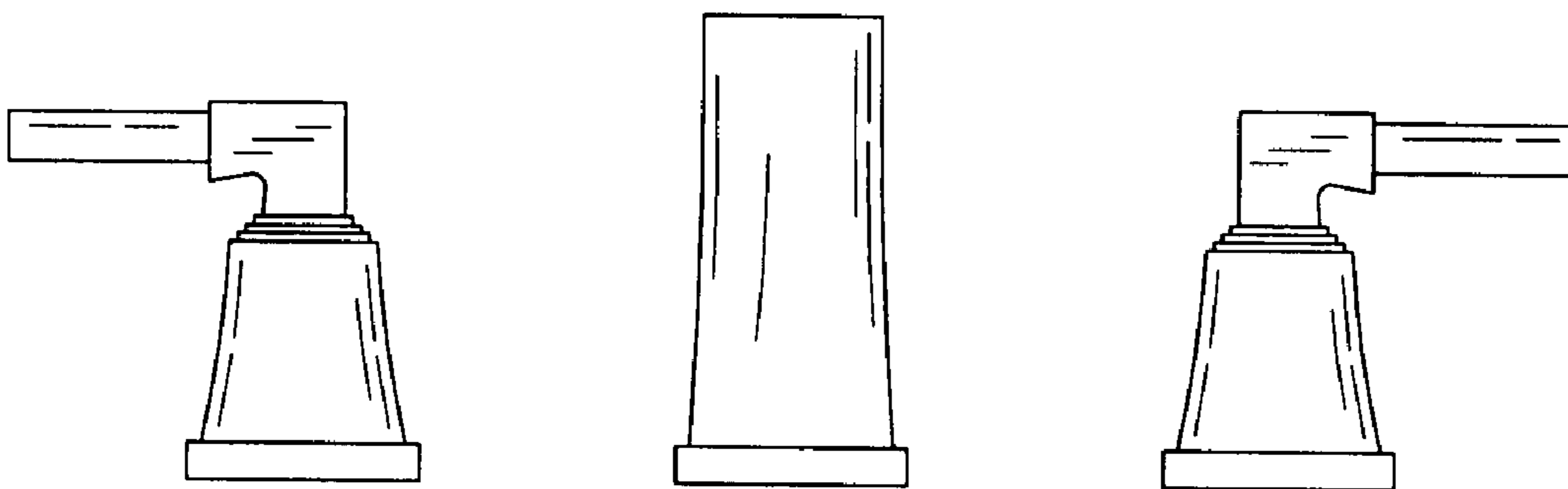


FIG. 3

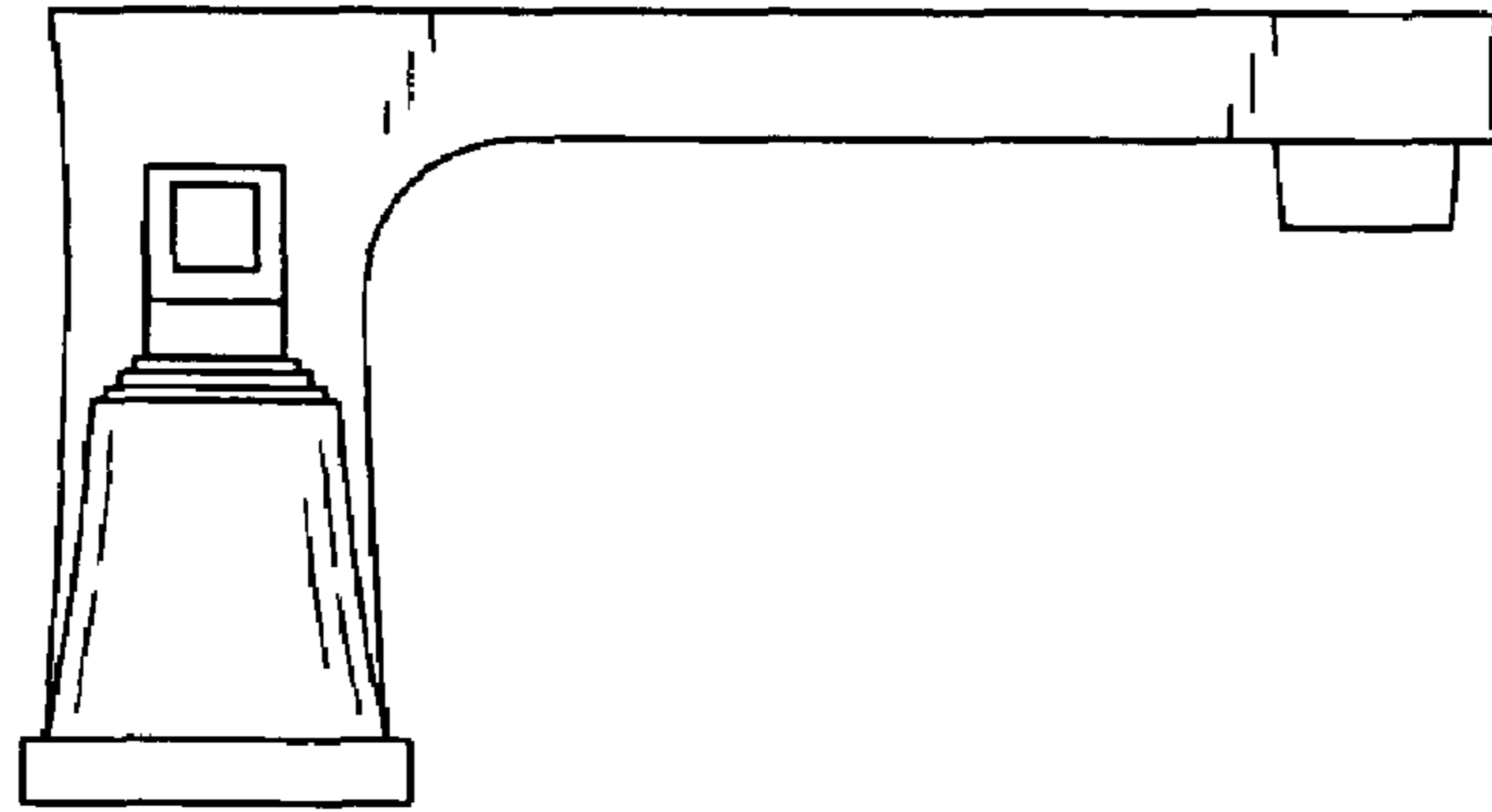


FIG. 4

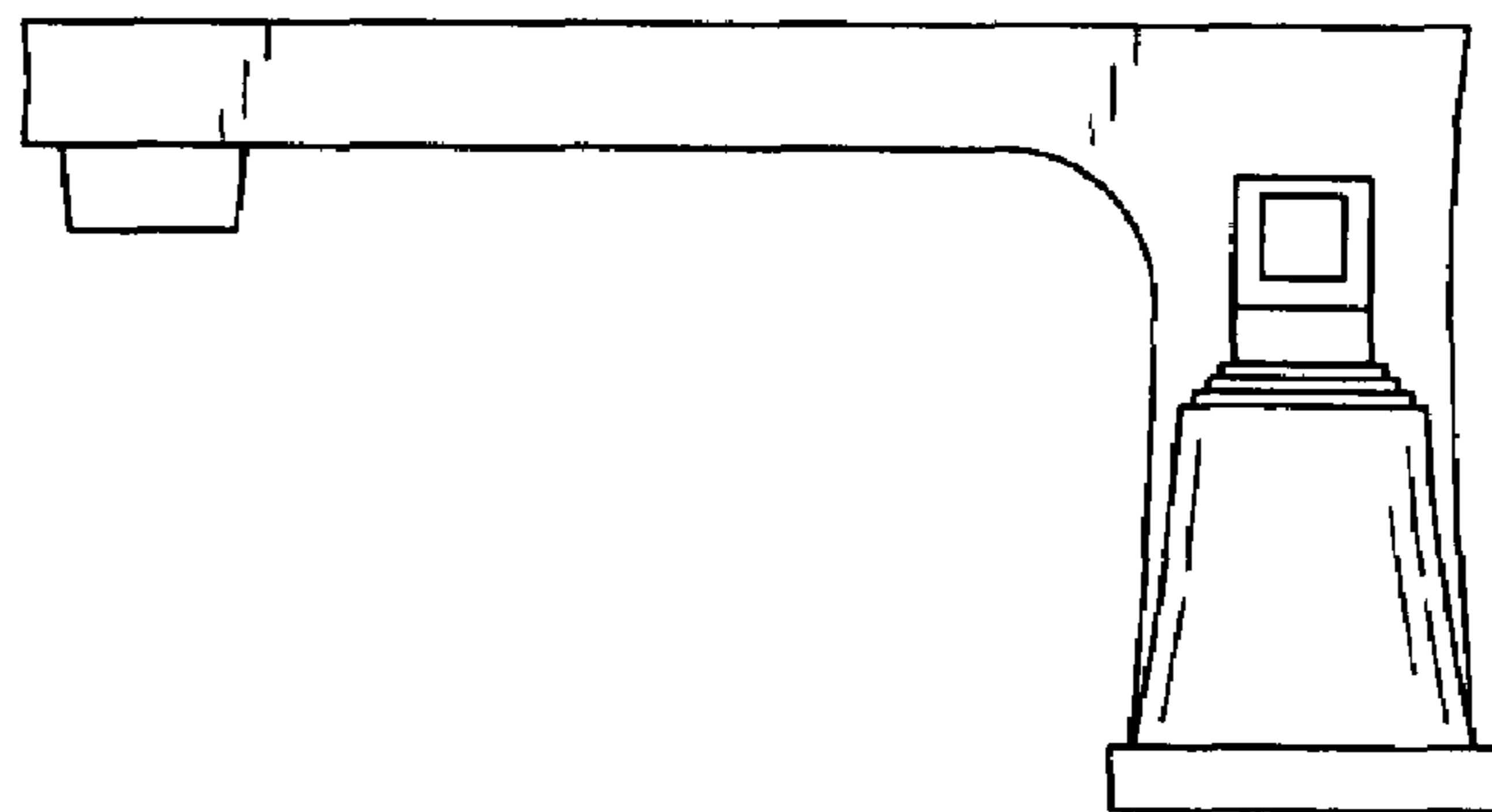


FIG. 5

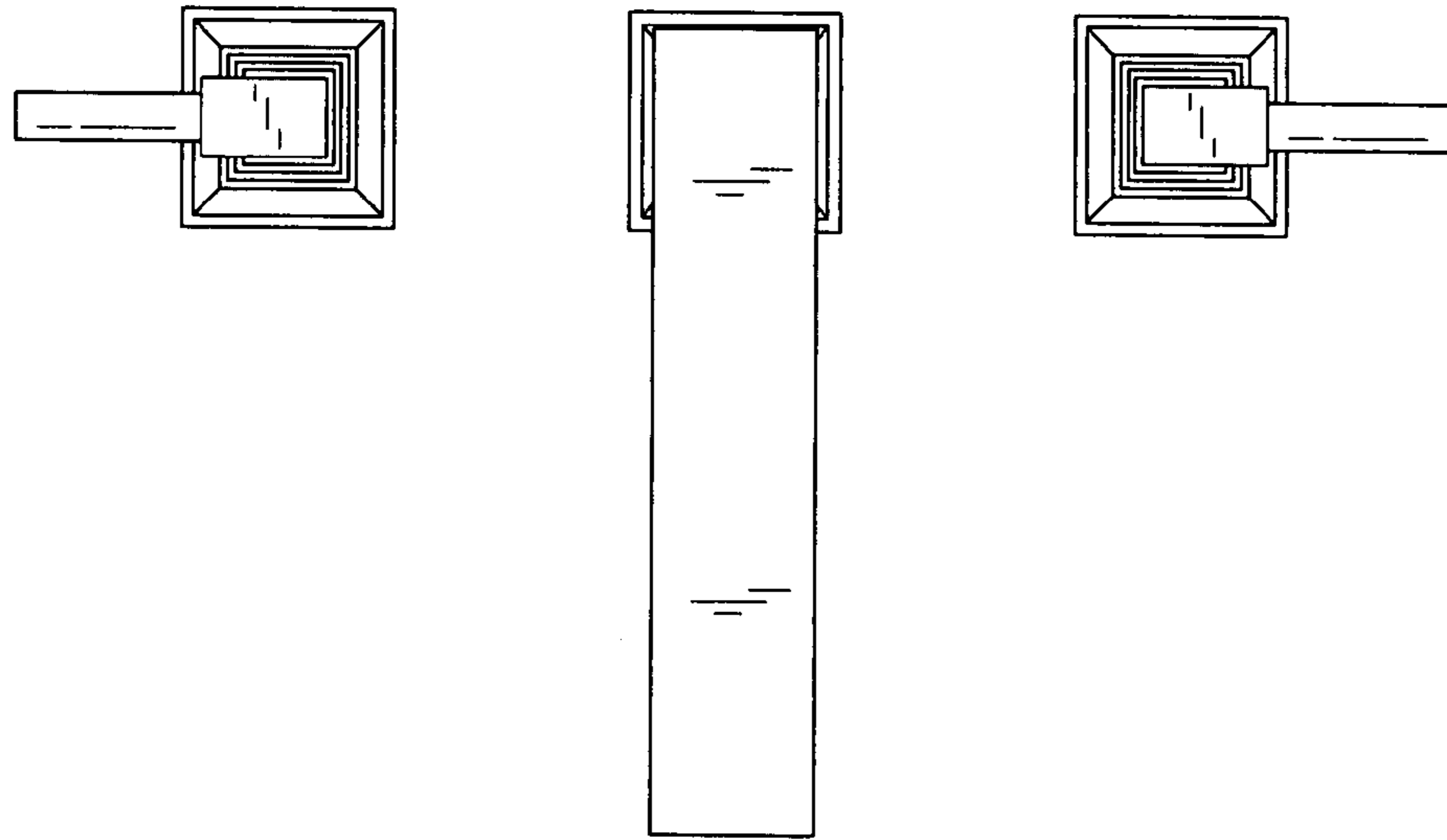


FIG. 6

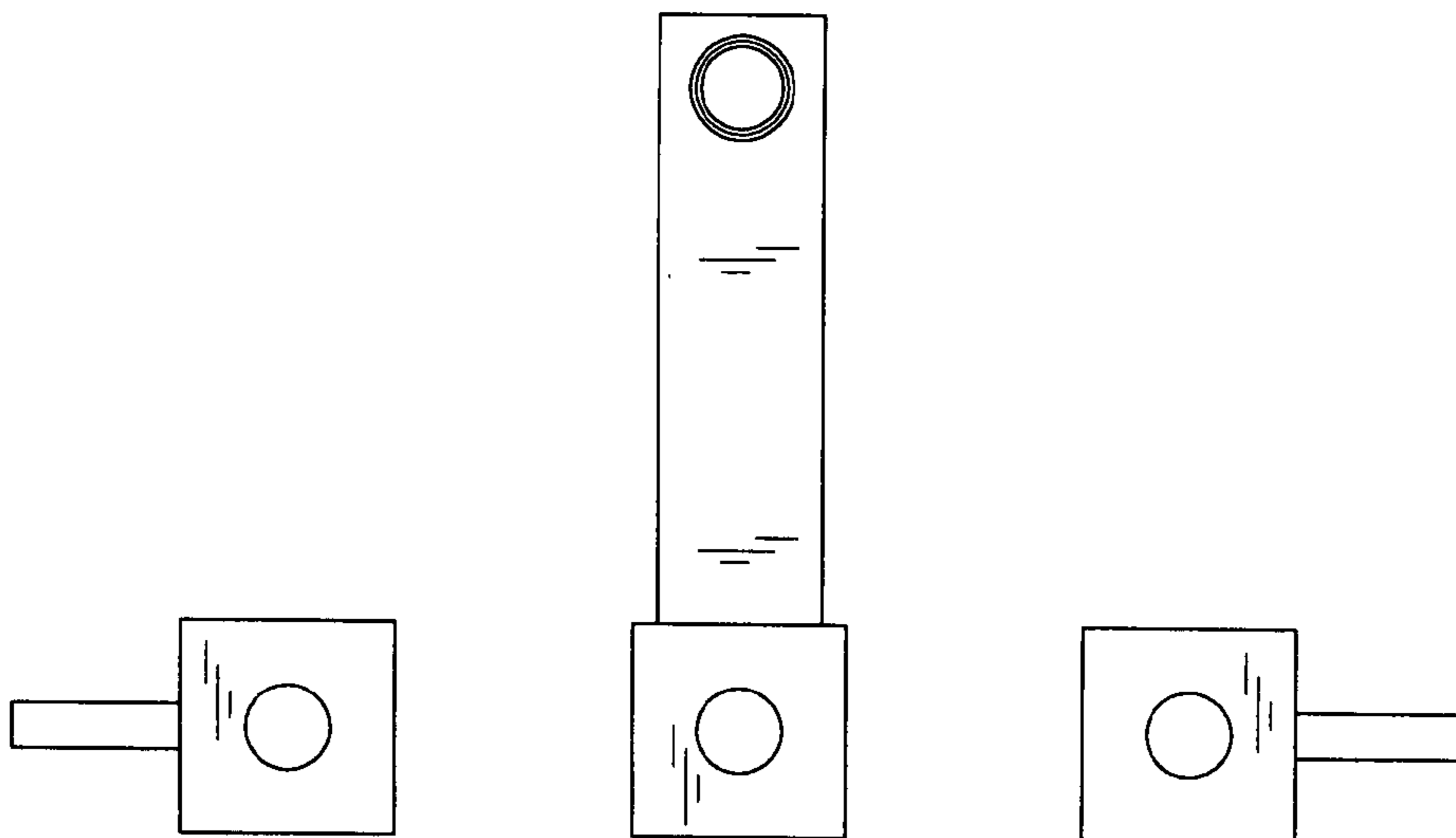


FIG. 7