



US00D575850S

(12) **United States Design Patent**
Ko

(10) **Patent No.:** **US D575,850 S**

(45) **Date of Patent:** **** Aug. 26, 2008**

(54) **FAUCET**

(75) Inventor: **Hsi Chia Ko**, Changhua Hsien (TW)

(73) Assignee: **Chung Cheng Faucet Co., Ltd.**,
Changhua Hsien (TW)

(**) Term: **14 Years**

(21) Appl. No.: **29/272,085**

(22) Filed: **Feb. 1, 2007**

(51) **LOC (8) Cl.** **23-02**

(52) **U.S. Cl.** **D23/238**

(58) **Field of Classification Search** D23/250-257,
D23/238-243, 244-249; 4/675-678; D8/300,
D8/307-308, 310-312, 321; D6/550; 137/801;
16/110.1, 441

See application file for complete search history.

(56) **References Cited**

U.S. PATENT DOCUMENTS

D478,966 S * 8/2003 Citterio D23/238

D479,740 S * 9/2003 Citterio D23/242

D547,831 S * 7/2007 Williams et al. D23/255

D557,383 S * 12/2007 Garner D23/255

* cited by examiner

Primary Examiner—Robert A Delehanty

(74) *Attorney, Agent, or Firm*—Troxell Law Office, PLLC

(57) **CLAIM**

The ornamental design for the “faucet,” shown and described.

DESCRIPTION

FIG. 1 is a perspective view of a faucet showing my new design;

FIG. 2 is a front view thereof;

FIG. 3 is a rear view thereof;

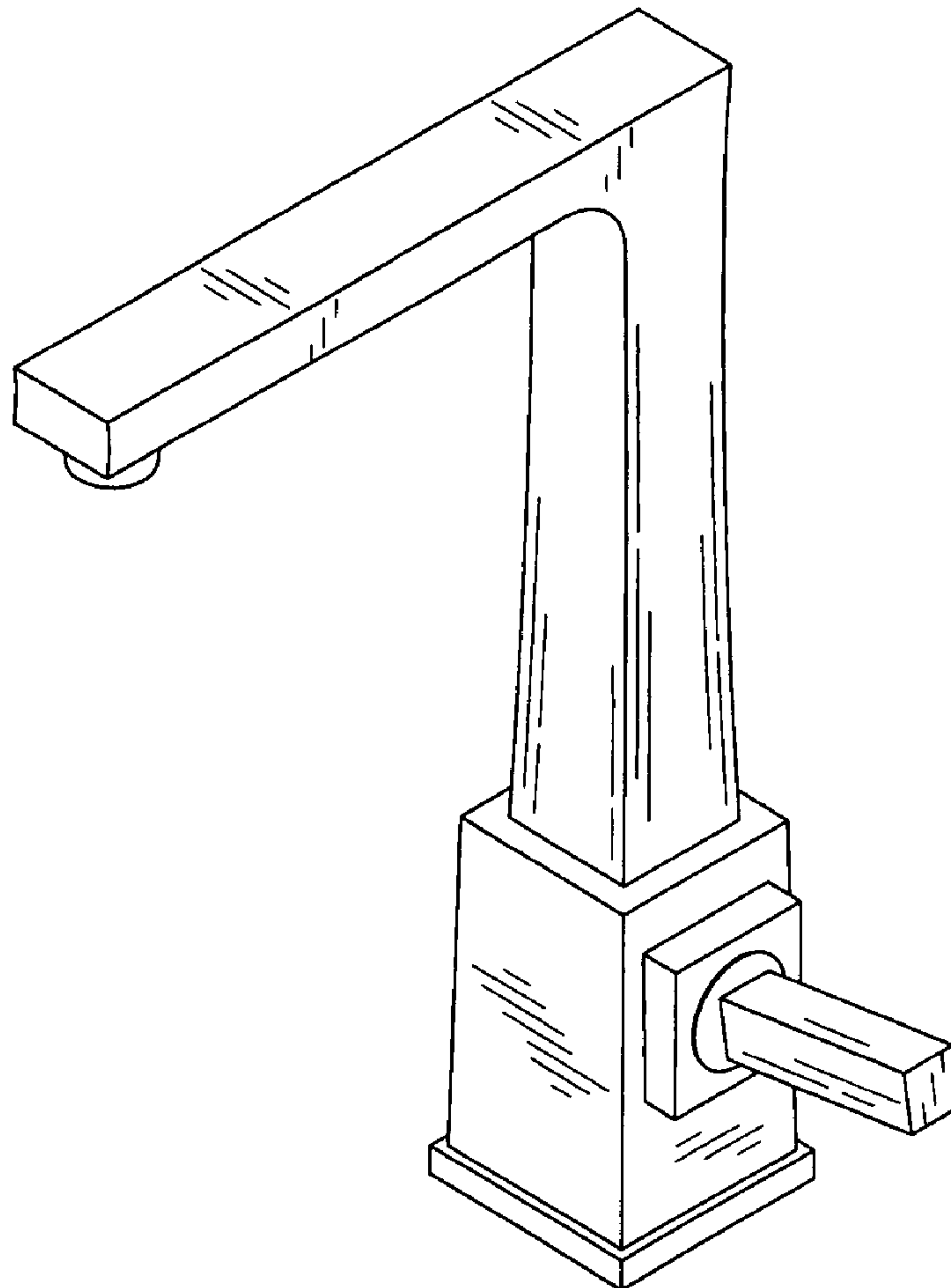
FIG. 4 is a left side view thereof;

FIG. 5 is a right side view thereof;

FIG. 6 is a top view thereof; and,

FIG. 7 is a bottom view thereof.

1 Claim, 4 Drawing Sheets



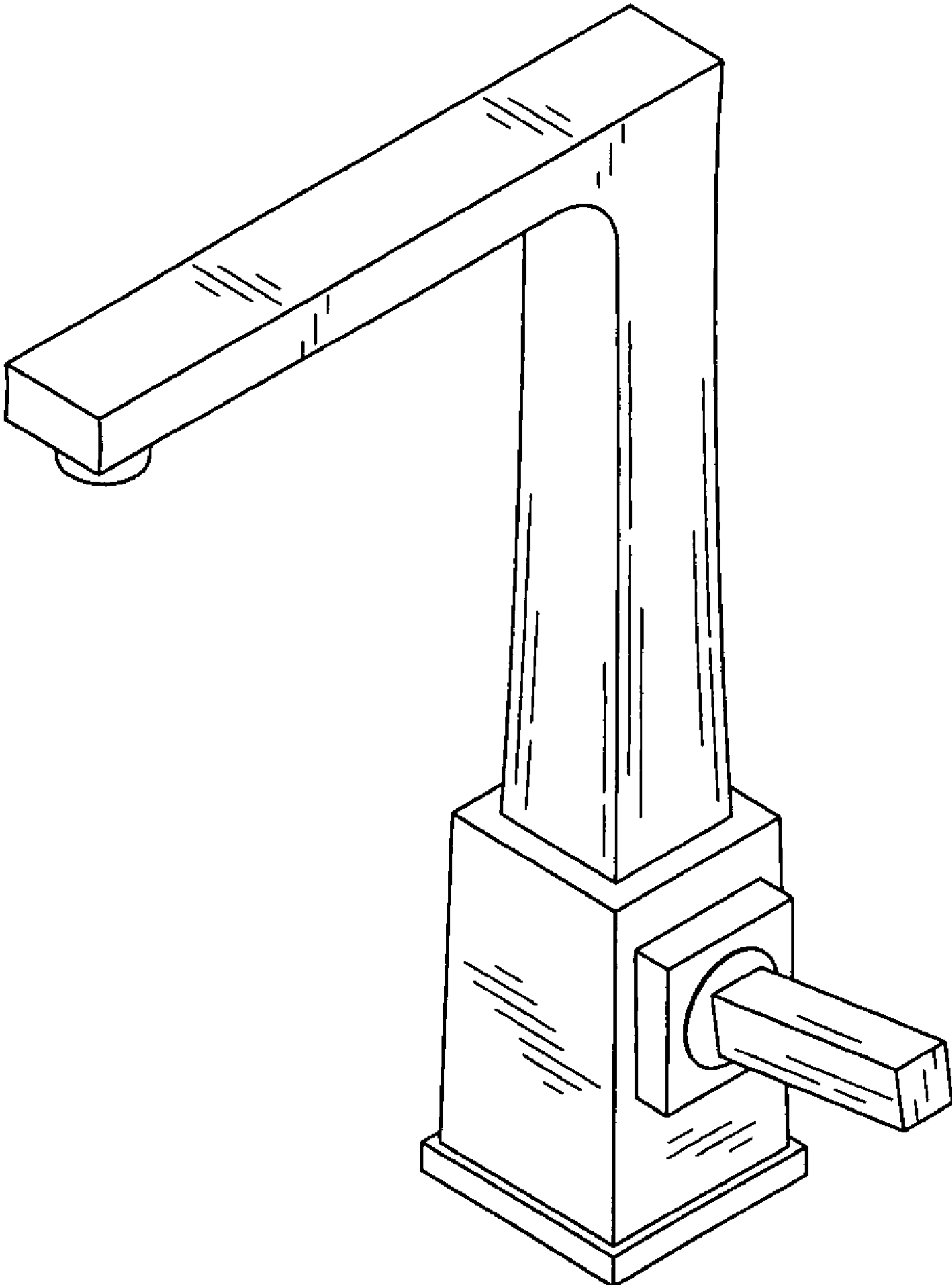


FIG. 1

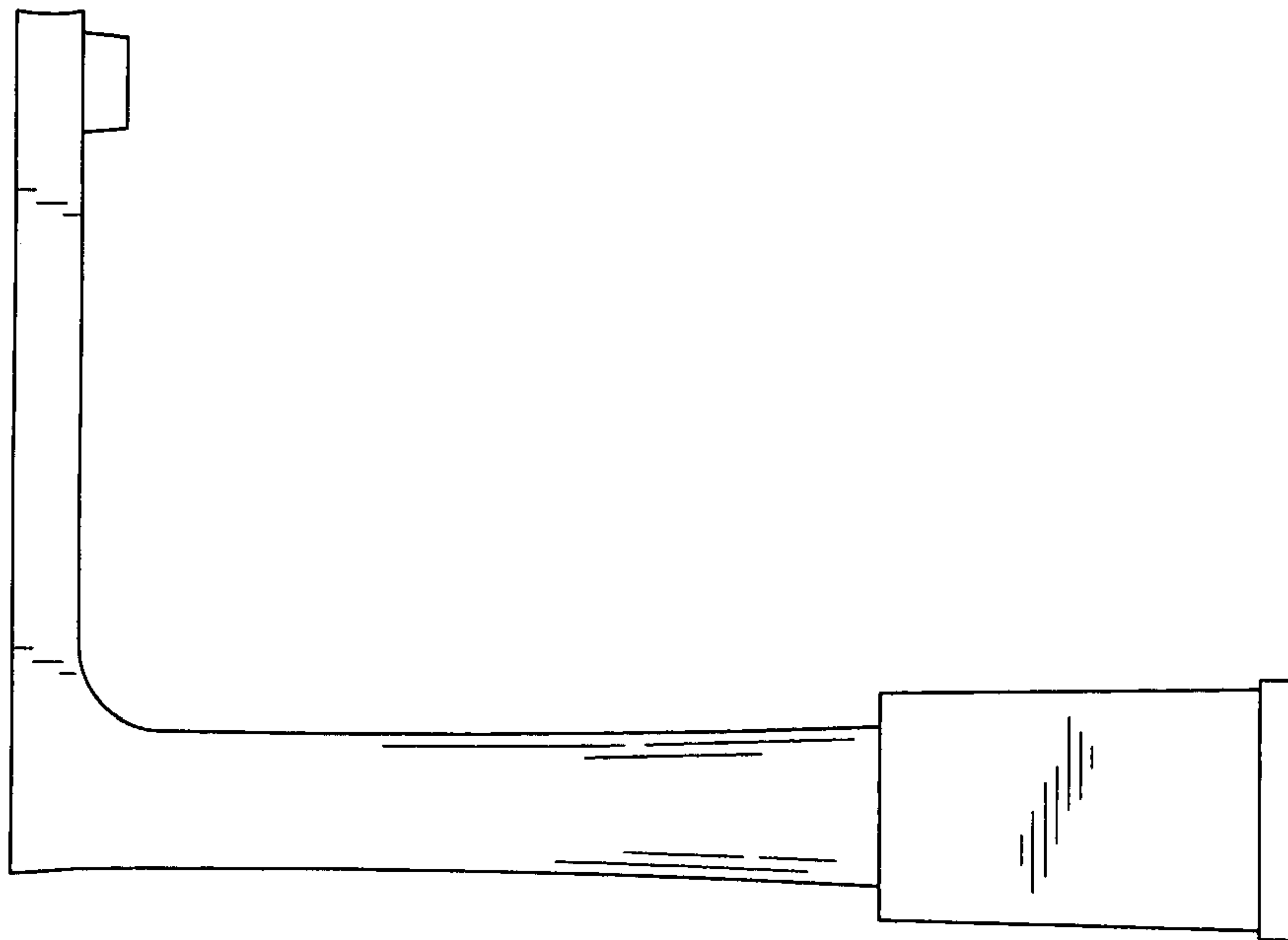


FIG. 3

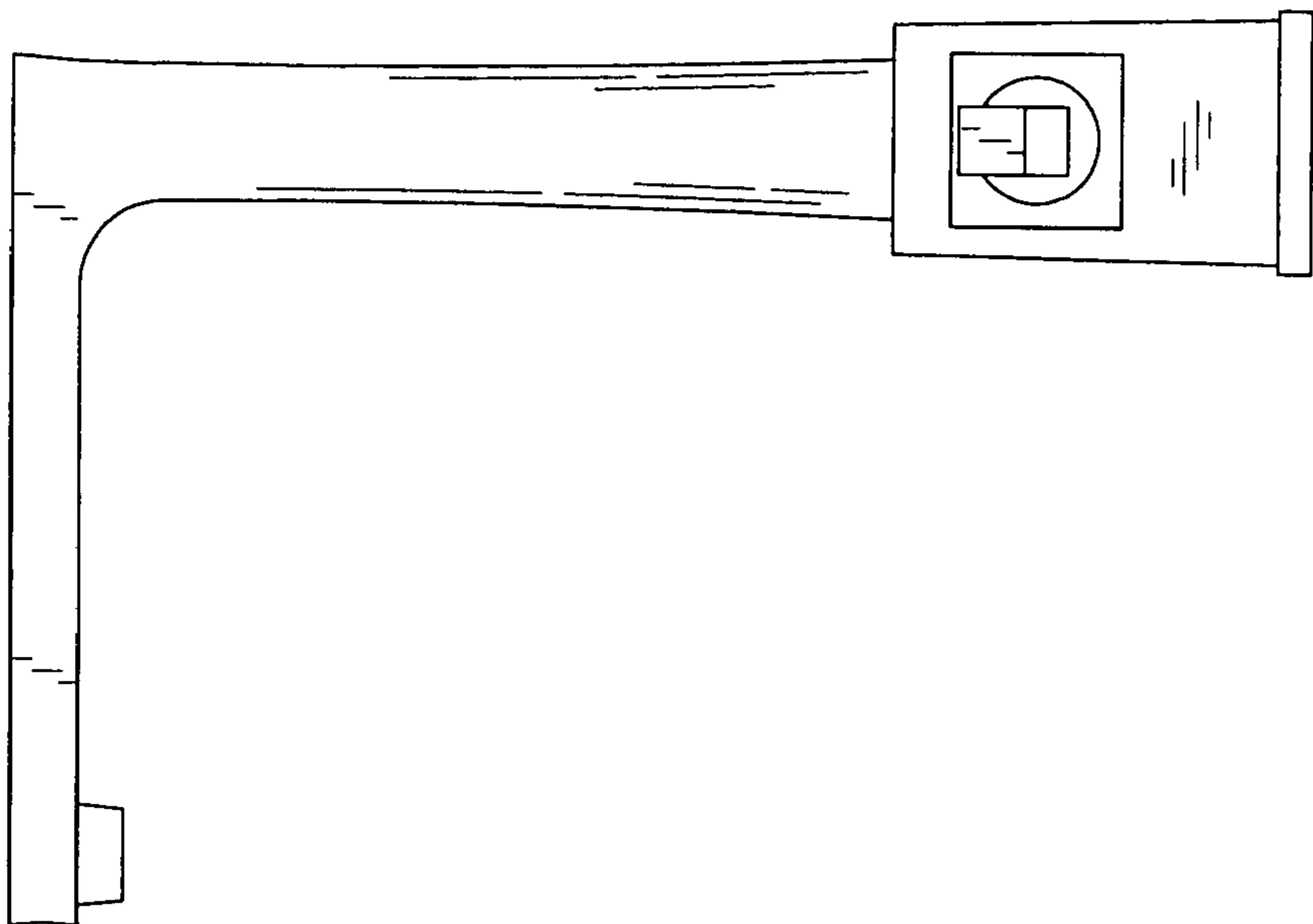


FIG. 2

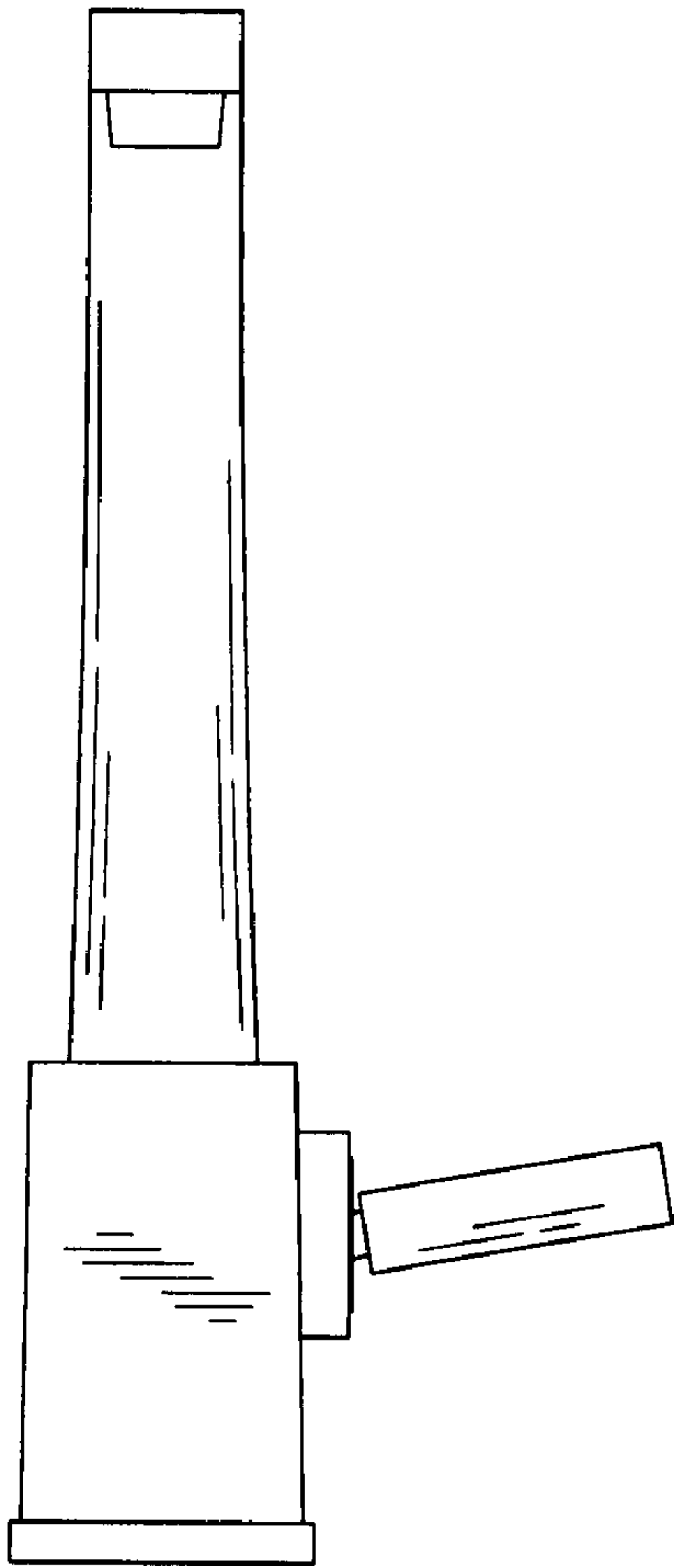


FIG. 4

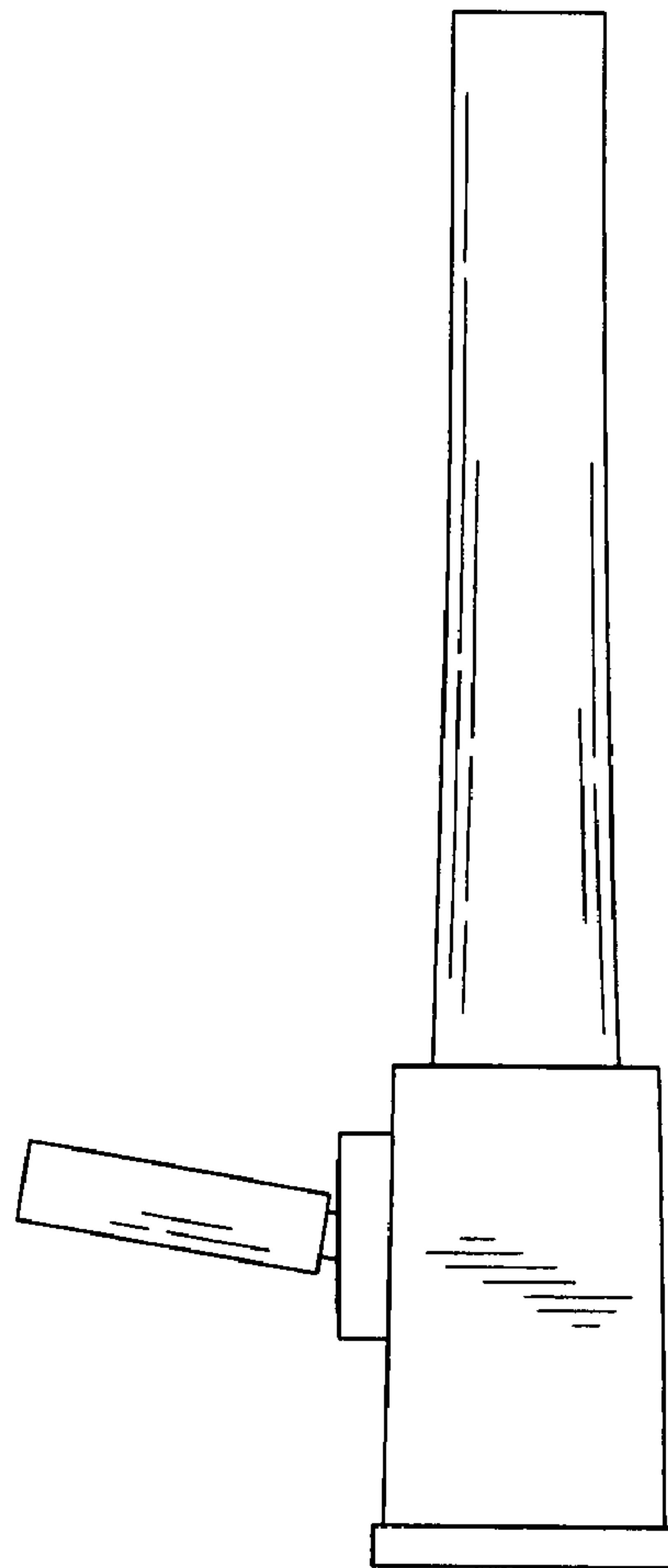


FIG. 5

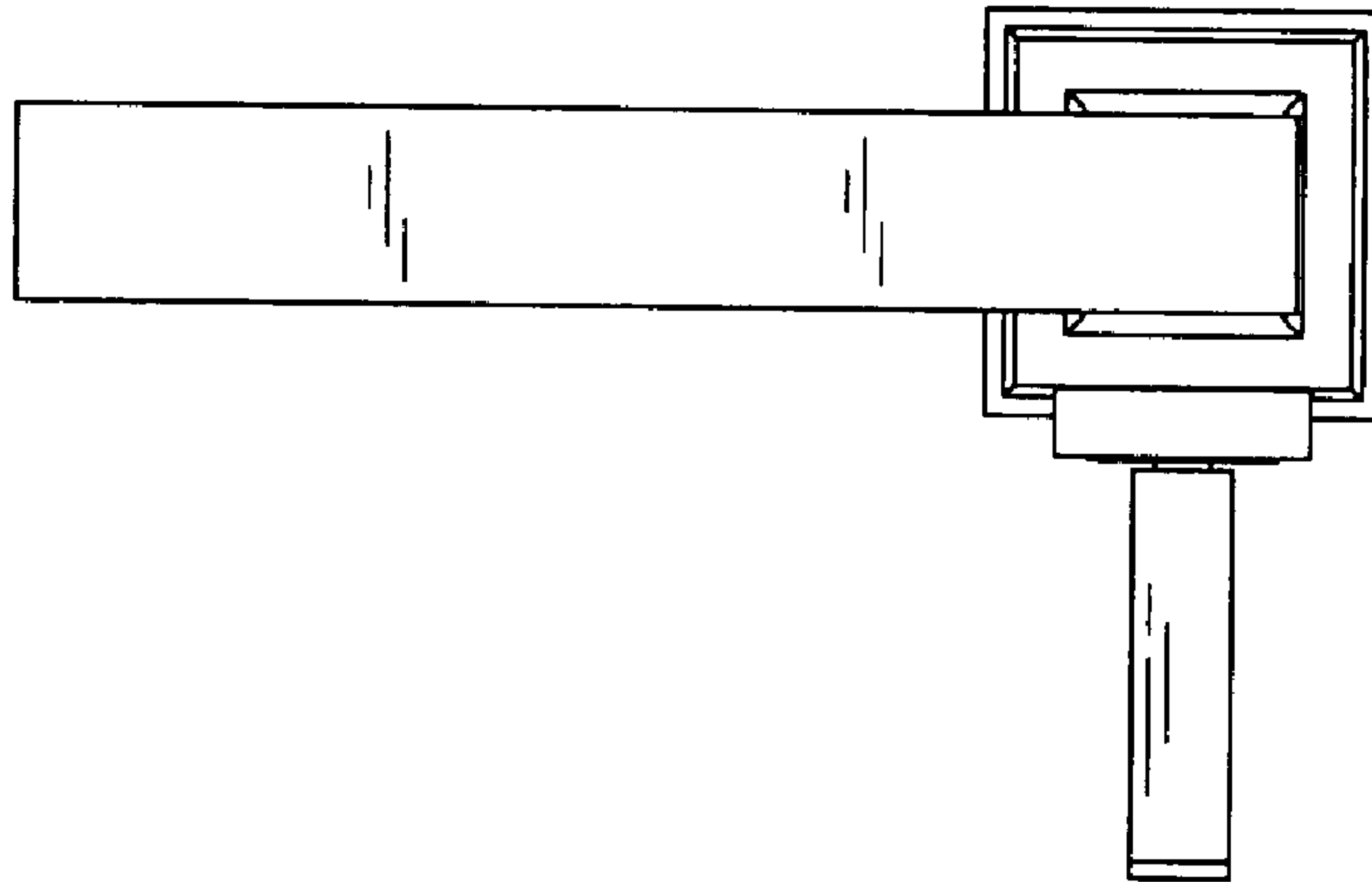


FIG. 6

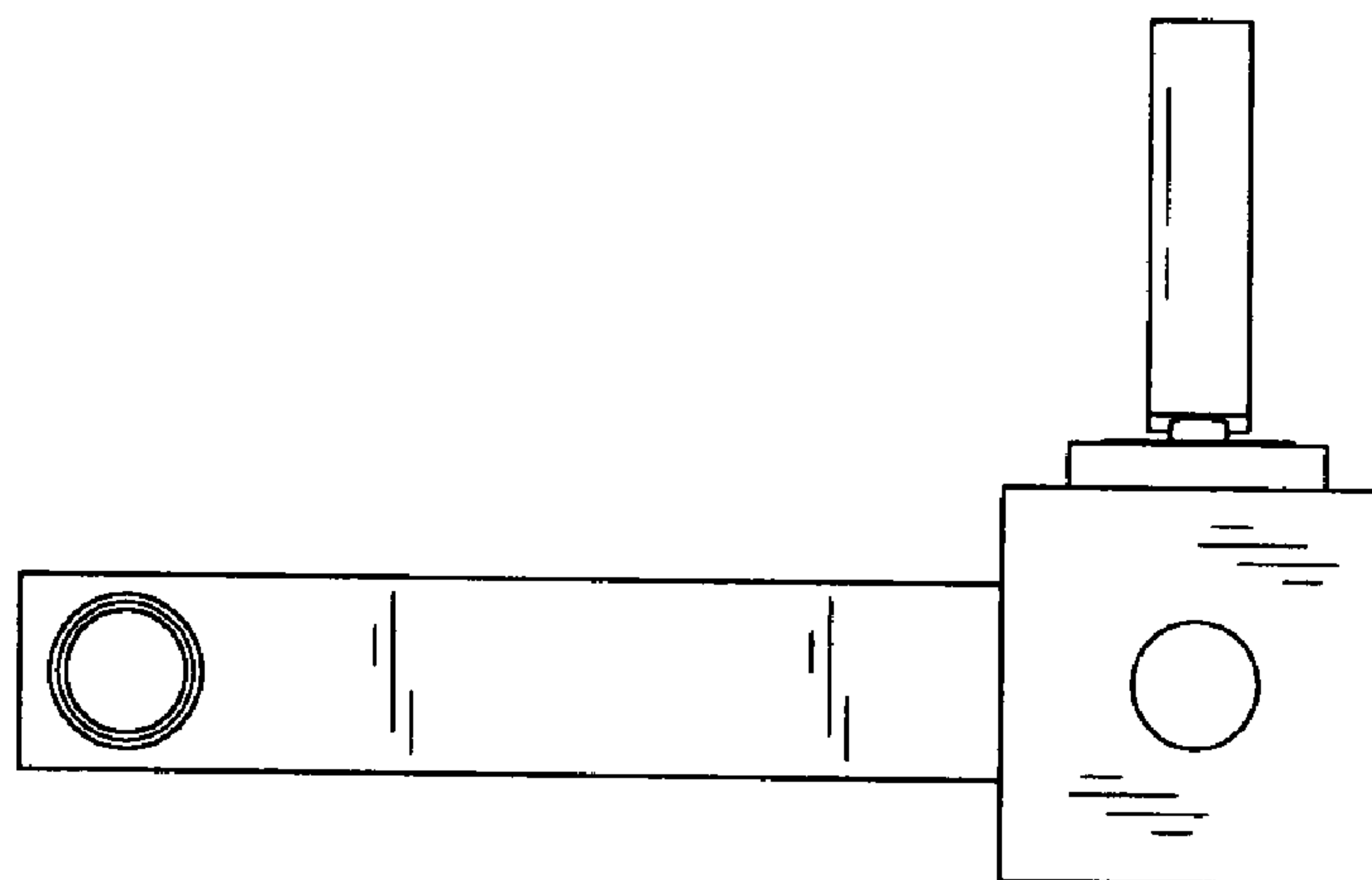


FIG. 7