



US00D575846S

(12) **United States Design Patent**
Lobermeier et al.

(10) **Patent No.:** **US D575,846 S**

(45) **Date of Patent:** **** Aug. 26, 2008**

(54) **WALL-MOUNT SHOWER STATION**

D532,876 S * 11/2006 Starck D23/304

(75) Inventors: **Hans Lobermeier**, Menden (DE);
Jochen Allard, Menden (DE); **Paul**
Flowers, Dusseldorf (DE); **Patrick**
Speck, Dusseldorf (DE)

* cited by examiner

Primary Examiner—Robin V Webster

(74) *Attorney, Agent, or Firm*—Andrew Wilford

(73) Assignee: **Grohe AG**, Hemer (DE)

(57) **CLAIM**

(**) Term: **14 Years**

The ornamental design for a wall-mount shower station, as shown.

(21) Appl. No.: **29/289,732**

(22) Filed: **Jul. 30, 2007**

DESCRIPTION

(30) **Foreign Application Priority Data**

Feb. 9, 2007 (EM) 000668769

(51) **LOC (8) Cl.** **23-01**

(52) **U.S. Cl.** **D23/228**

(58) **Field of Classification Search** D23/228,
D23/213, 223, 229–230, 304; 4/615, 570,
4/596, 597

See application file for complete search history.

FIG. 1 is a front, left perspective view of a wall-mount shower station showing our new design;

FIG. 2 is a front view thereof;

FIG. 3 is a right side view thereof;

FIG. 4 is a rear view thereof;

FIG. 5 is a left side view thereof;

FIG. 6 is a bottom view thereof; and,

FIG. 7 is a top view thereof.

The broken line showing of “38” in FIGS. 1 and 2 is included for the purpose of illustrating and forms no part of the claimed design.

(56) **References Cited**

U.S. PATENT DOCUMENTS

D454,620 S * 3/2002 Starck D23/228

D532,079 S * 11/2006 Dusat D23/228

1 Claim, 4 Drawing Sheets

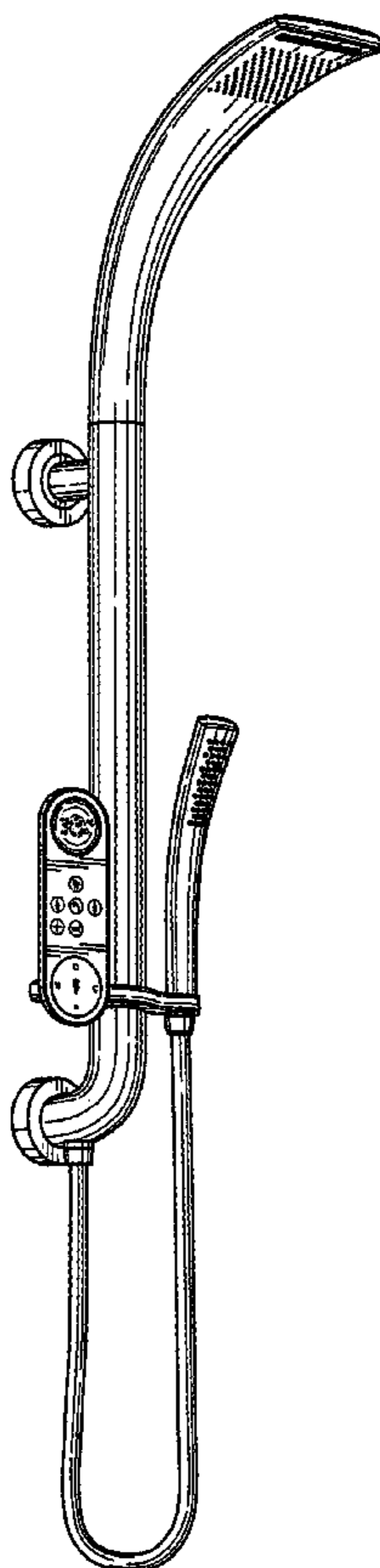


Fig. 1

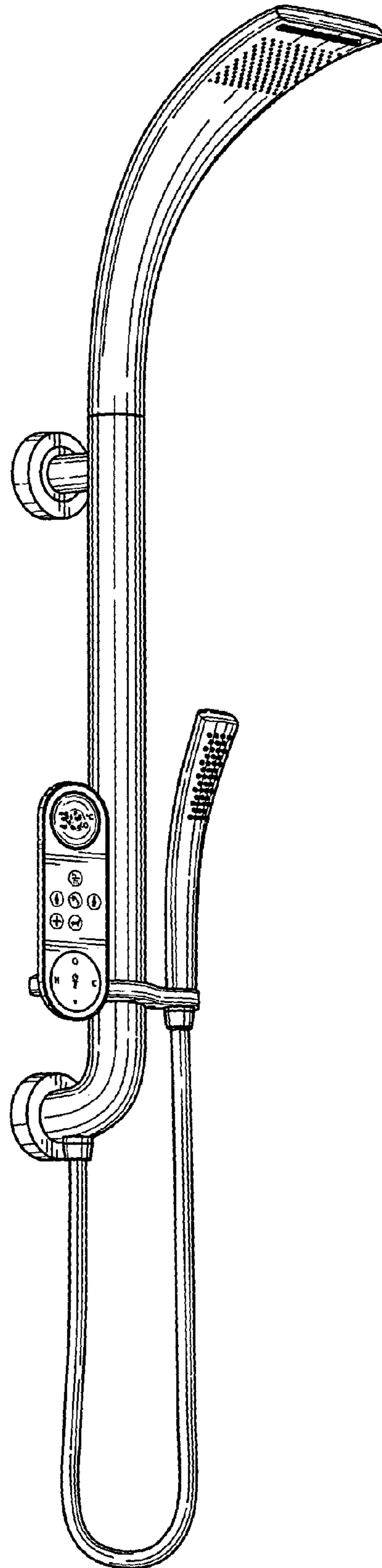


Fig. 2

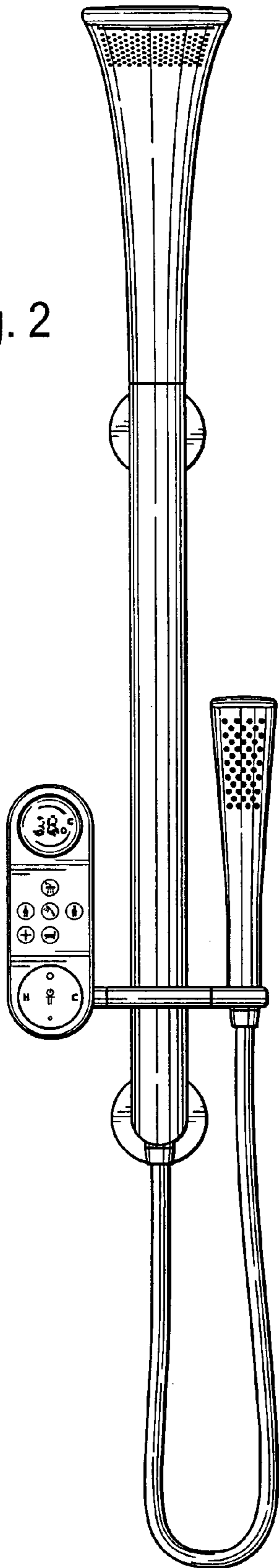
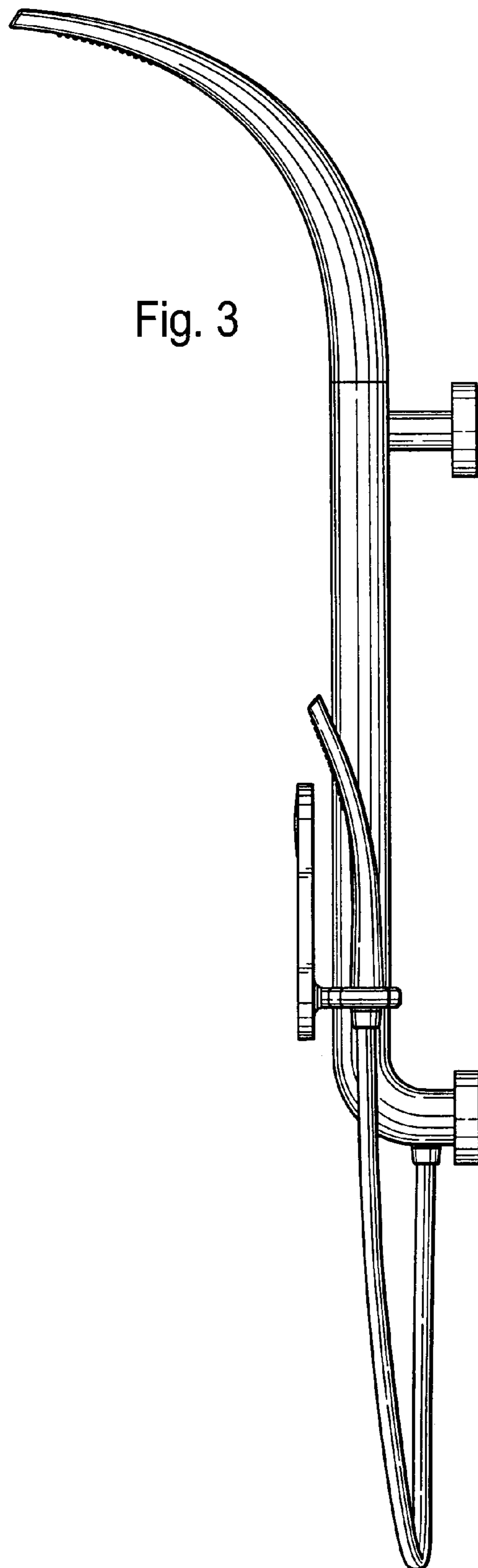


Fig. 3



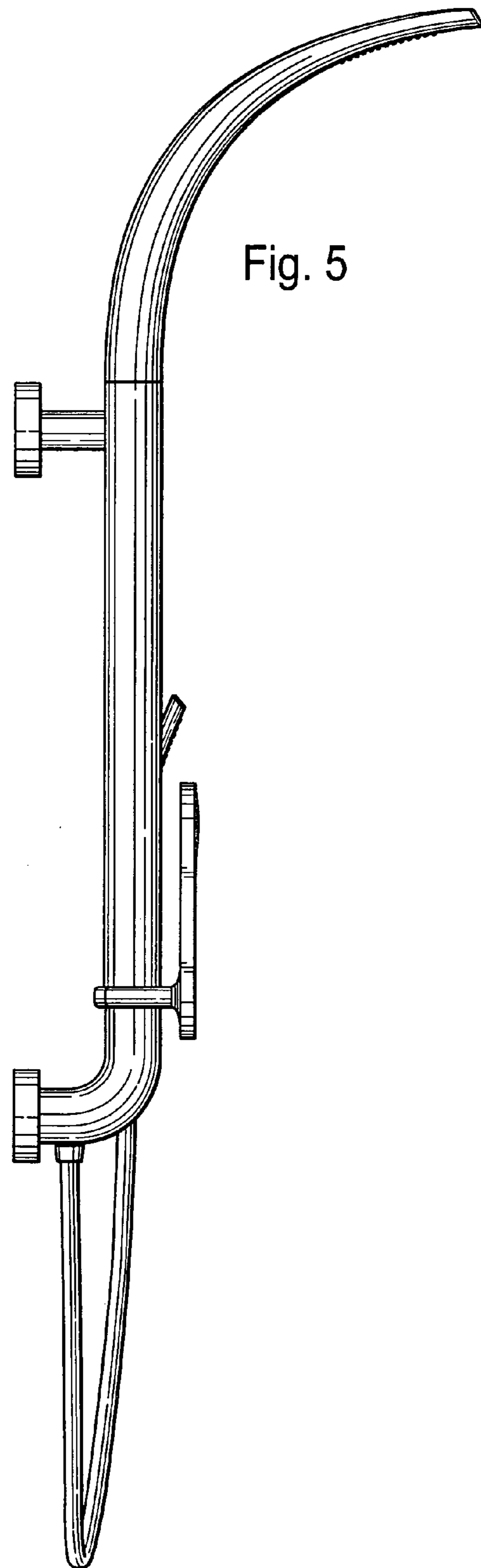
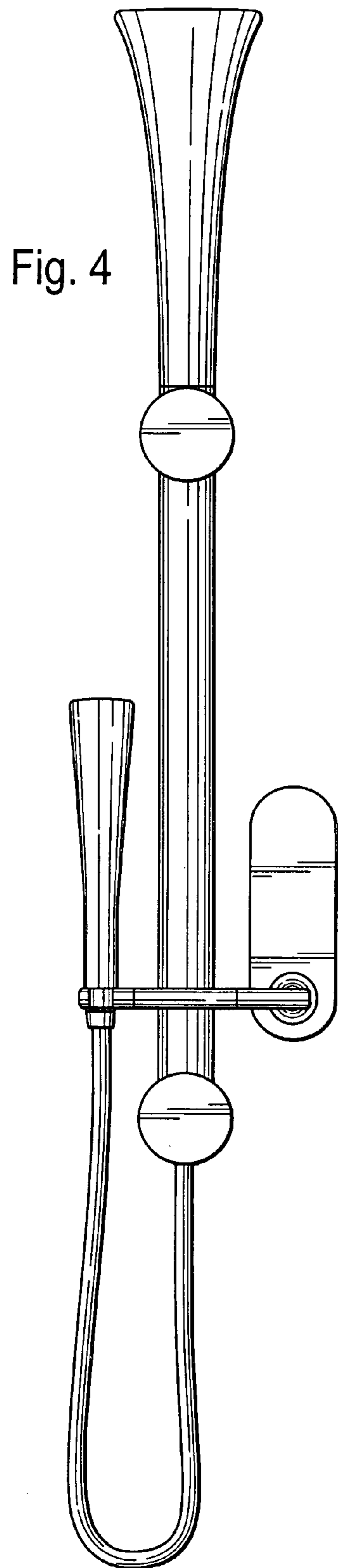


Fig. 6

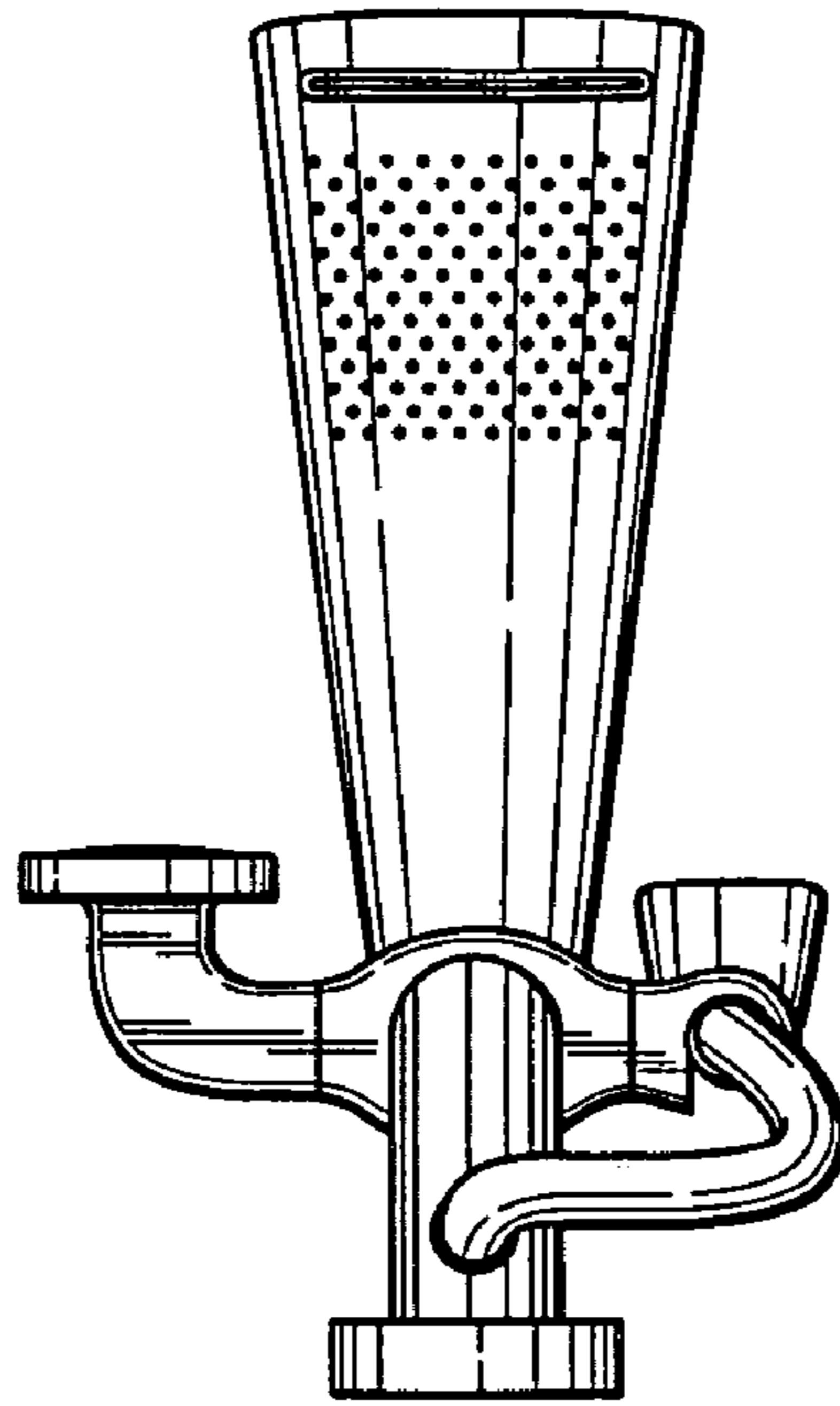


Fig. 7

