



US00D575843S

(12) **United States Design Patent**
Werner

(10) **Patent No.:** **US D575,843 S**
(45) **Date of Patent:** **** Aug. 26, 2008**

(54) **PORTABLE SOLAR POWERED WATER PURIFICATION AND PUMPING STATION**

(76) Inventor: **Glenn C Werner**, P.O. Box 337, Twin Mountain, NH (US) 03595

(**) Term: **14 Years**

(21) Appl. No.: **29/278,525**

(22) Filed: **Apr. 1, 2007**

(51) **LOC (8) Cl.** **23-01**

(52) **U.S. Cl.** **D23/207**

(58) **Field of Classification Search** D23/207,
D23/209, 225; 210/748, 85; 136/244; 320/101
See application file for complete search history.

(56) **References Cited**

U.S. PATENT DOCUMENTS

5,111,127	A	5/1992	Johnson	
D370,050	S *	5/1996	Dea et al.	D23/207
D428,468	S *	7/2000	Dea et al.	D23/207
6,201,181	B1	3/2001	Azzam et al.	
6,396,239	B1	5/2002	Benn et al.	
6,863,827	B2 *	3/2005	Saraceno	210/748
6,974,904	B2	12/2005	Azzam et al.	

* cited by examiner

Primary Examiner—Robin V Webster

(57) **CLAIM**

The ornamental design for a portable solar powered water purification and pumping station, as shown and described.

DESCRIPTION

My portable solar powered water purification and pumping station is characterized by wheeled portable device, having an attached solar panel, water spigot, utility light, operating control panel, push handle and supporting legs.

FIG. 1 is a perspective view of my new portable solar powered water purification and pumping station according to the present invention;

FIG. 2 is an elevated front view of the device of FIG. 1;

FIG. 3 is a right side view of the device of FIG. 1;

FIG. 4 is a left side view of the device of FIG. 1;

FIG. 5 is an elevated rear view of the device of FIG. 1;

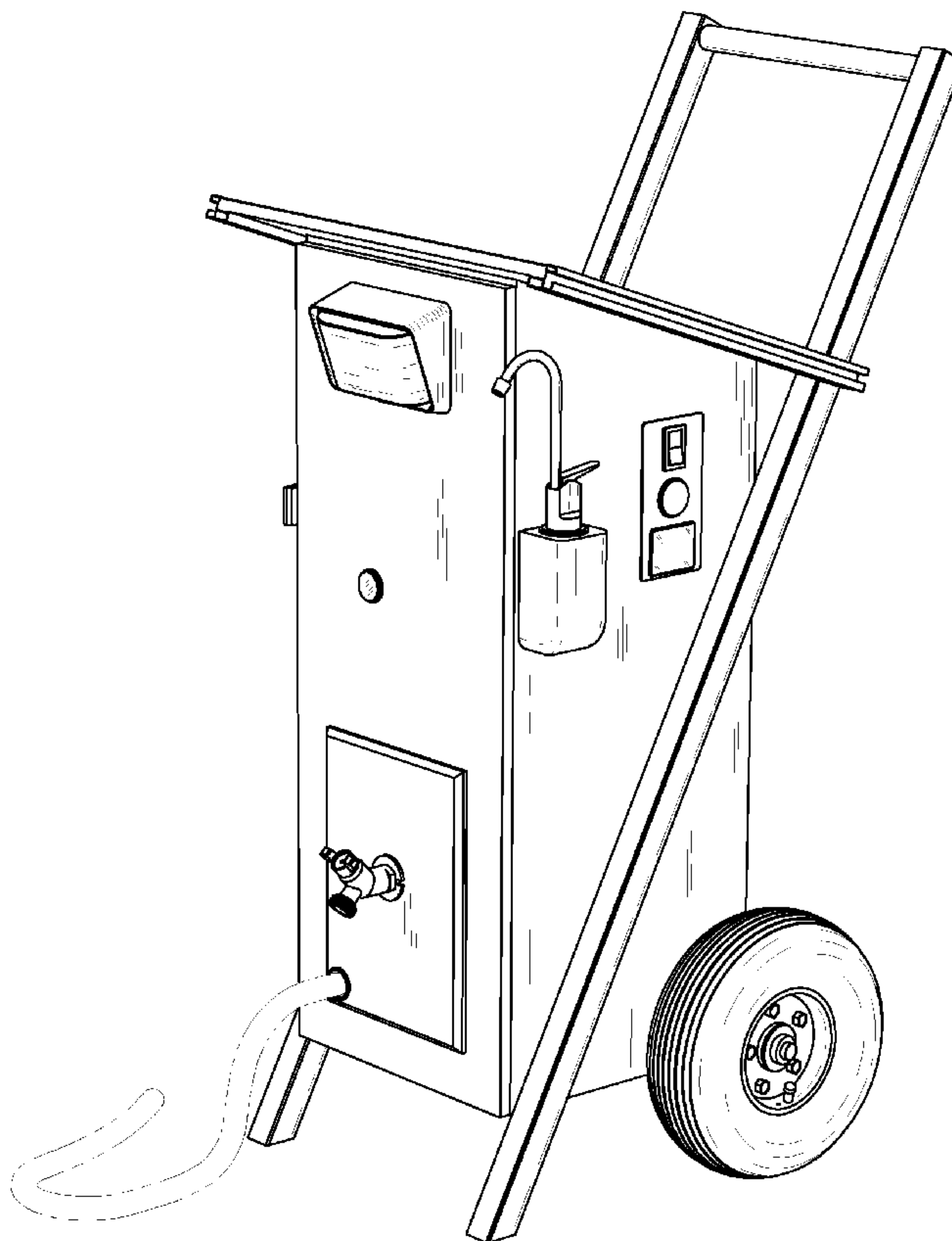
FIG. 6 is a top view of the device of FIG. 1;

FIG. 7 is a bottom view of the device of FIG. 1; and,

FIG. 8 is a perspective view of the device of FIG. 1 with expanded or additional solar panels.

The broken lines in the figures merely illustrate the environment for the present design and therefore form no part of the claimed design.

1 Claim, 7 Drawing Sheets



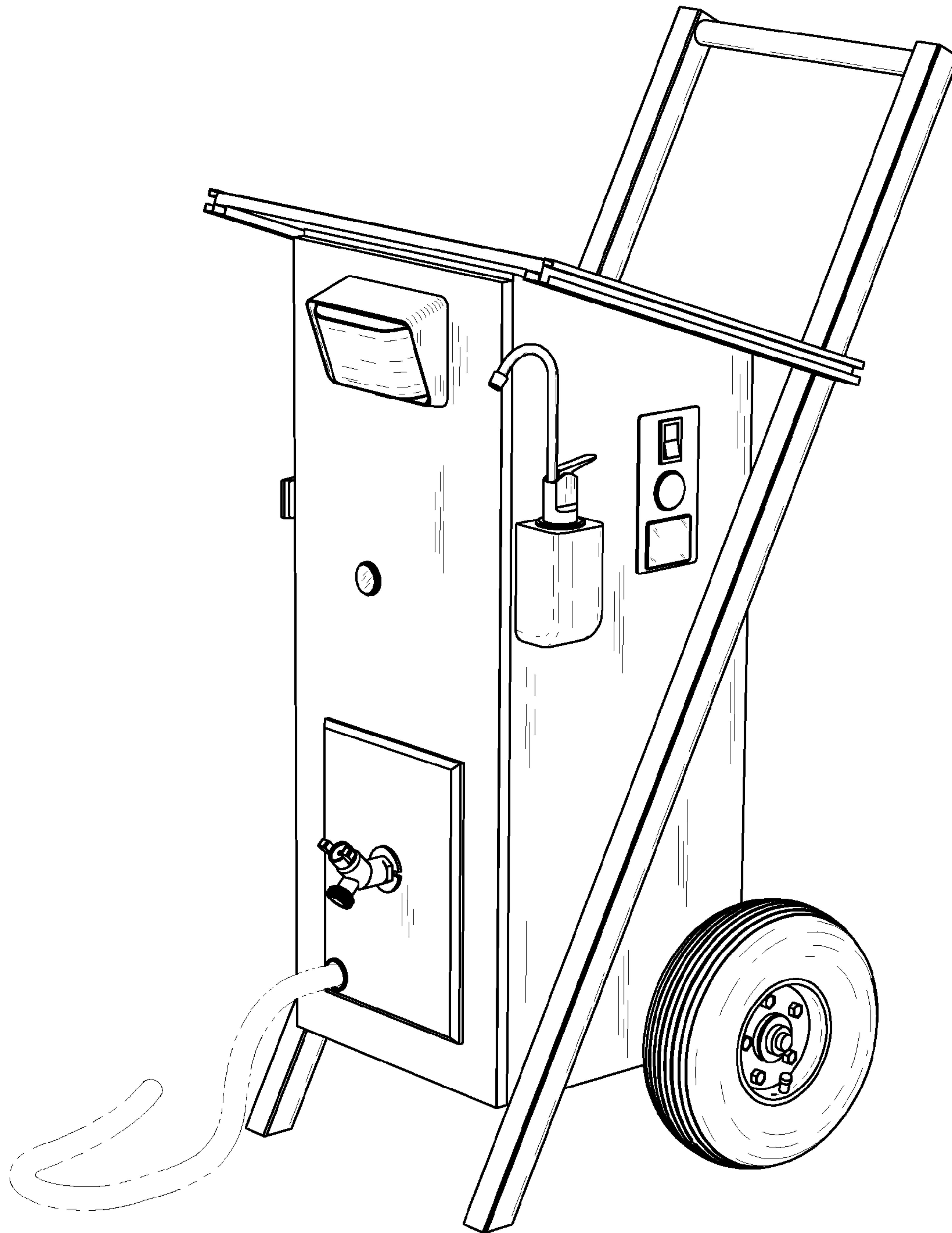


FIG. 1

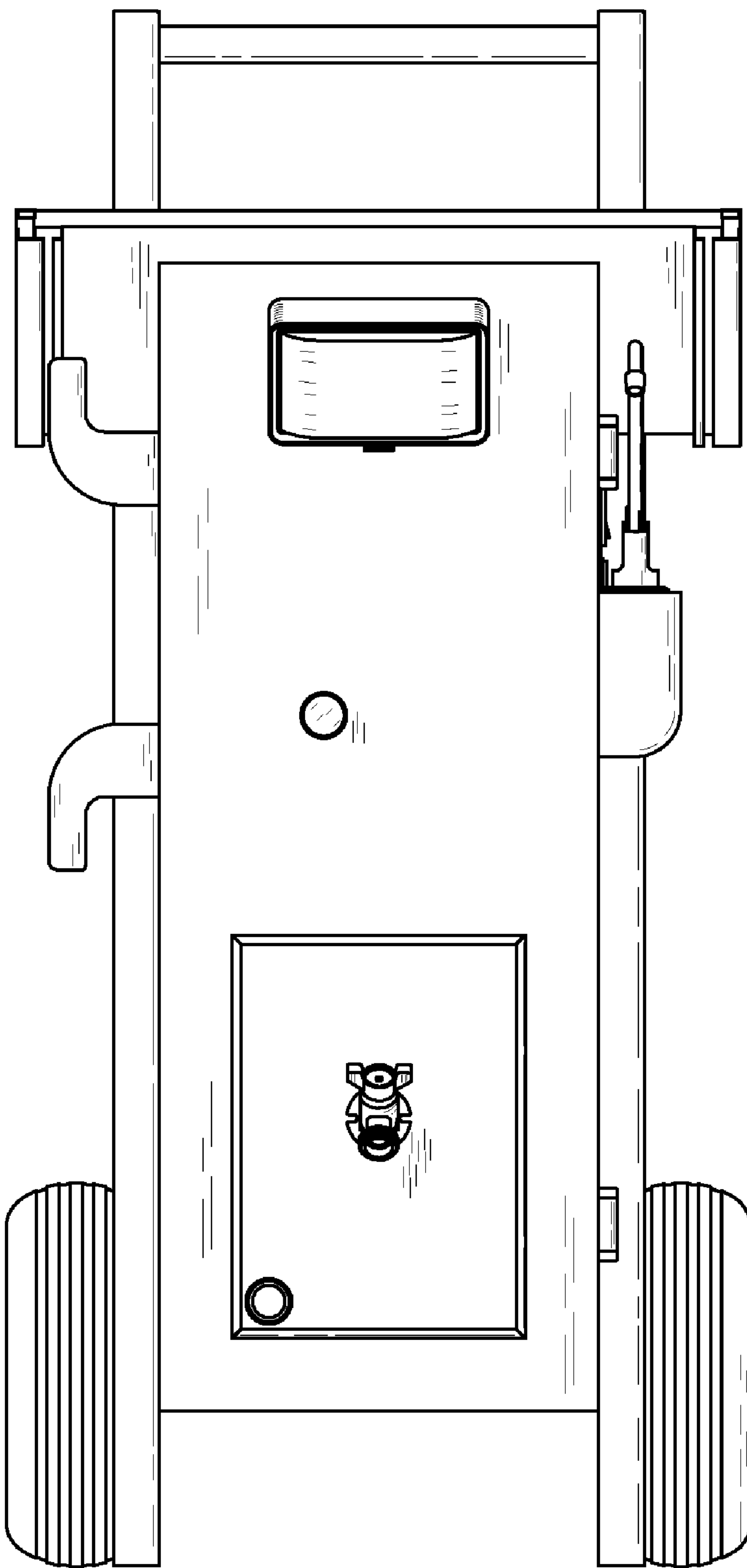


FIG. 2

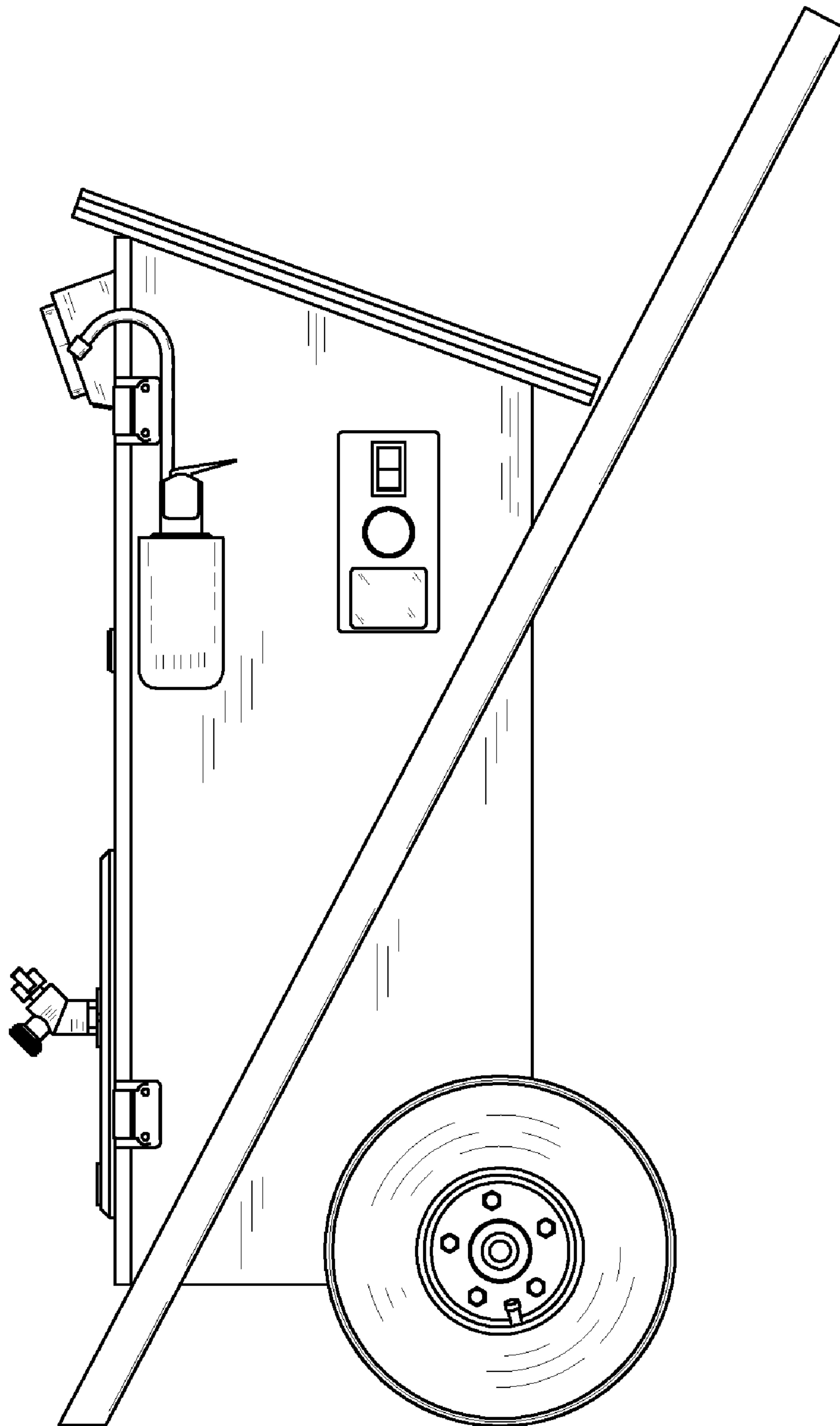


FIG. 3

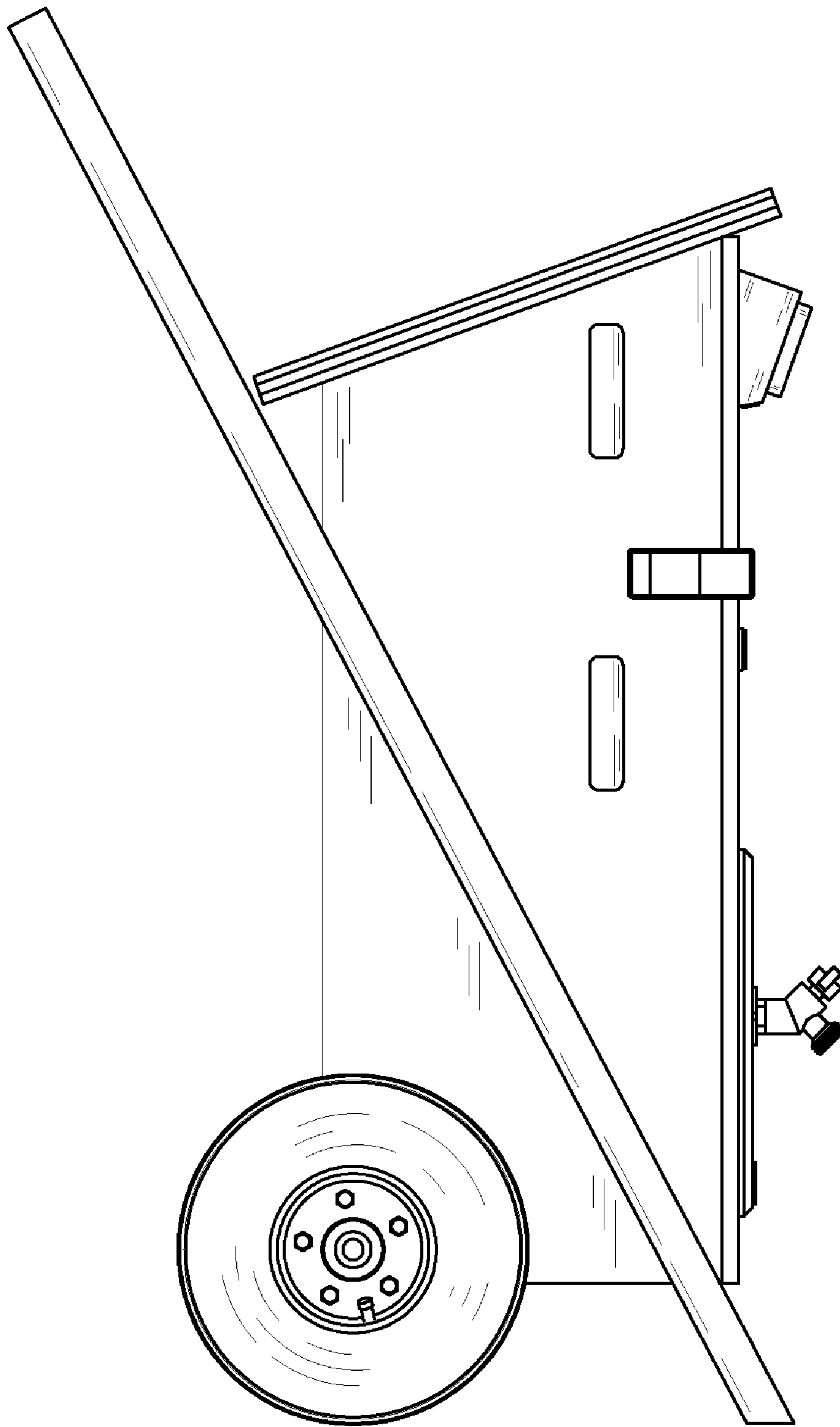


FIG. 4

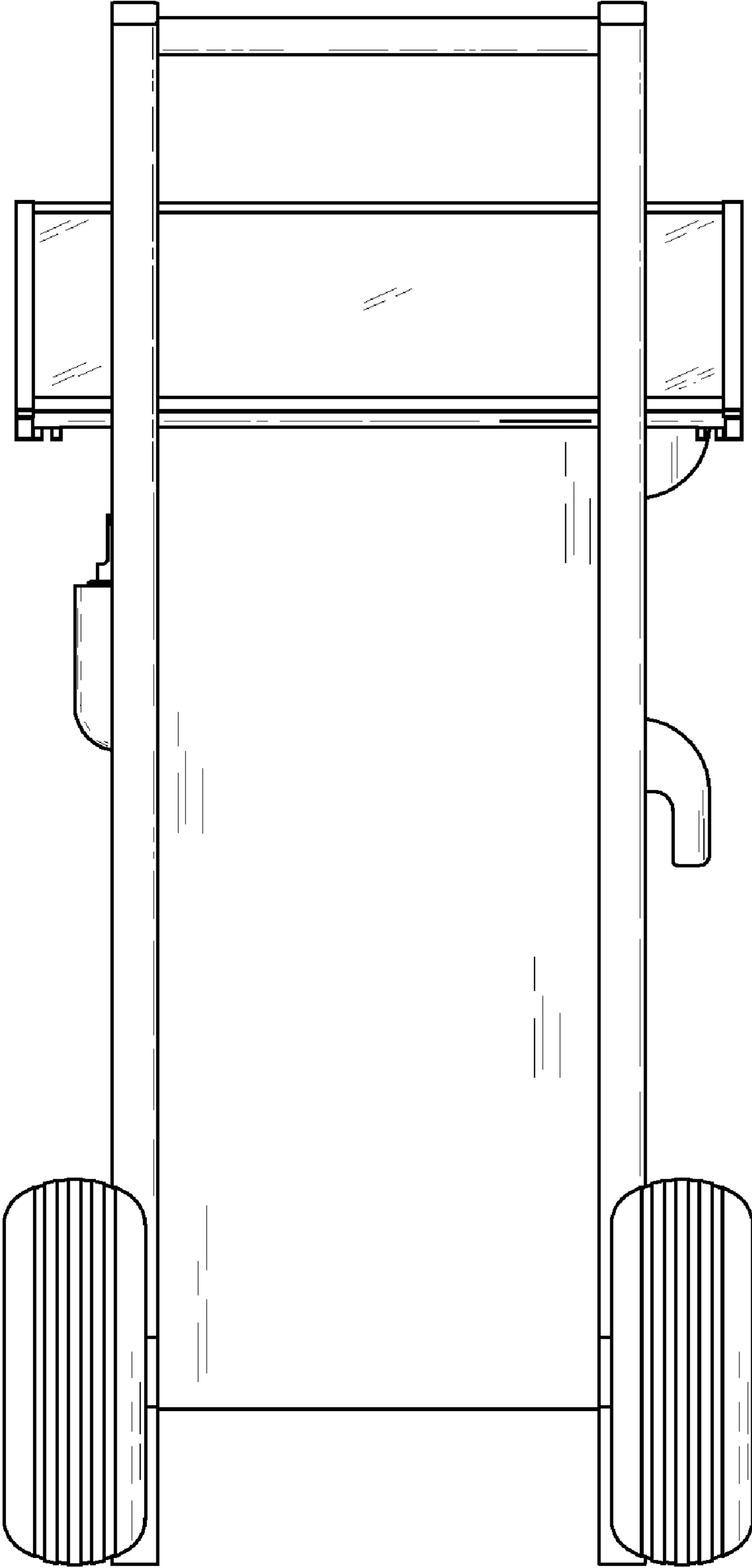


FIG. 5

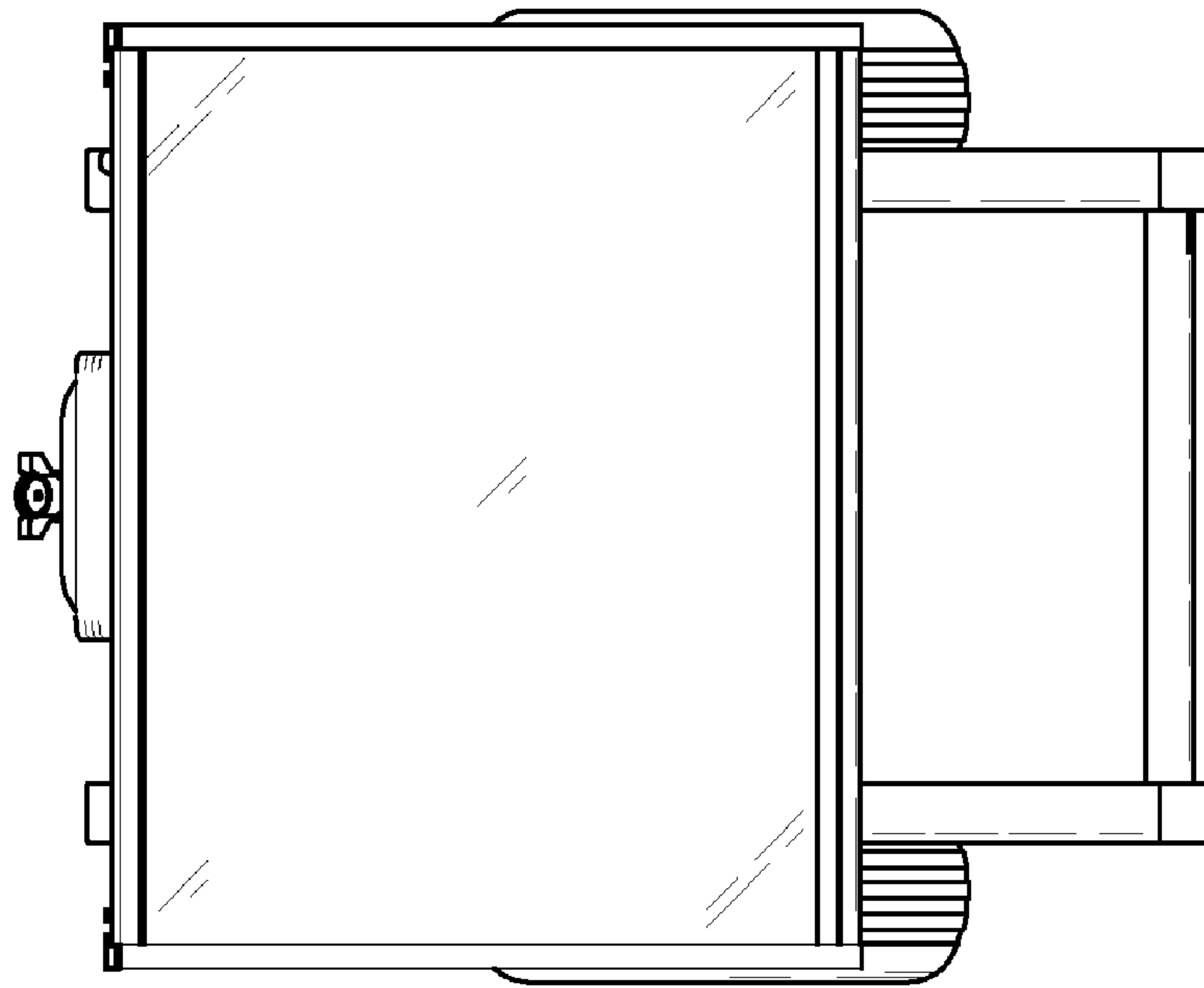


FIG. 6

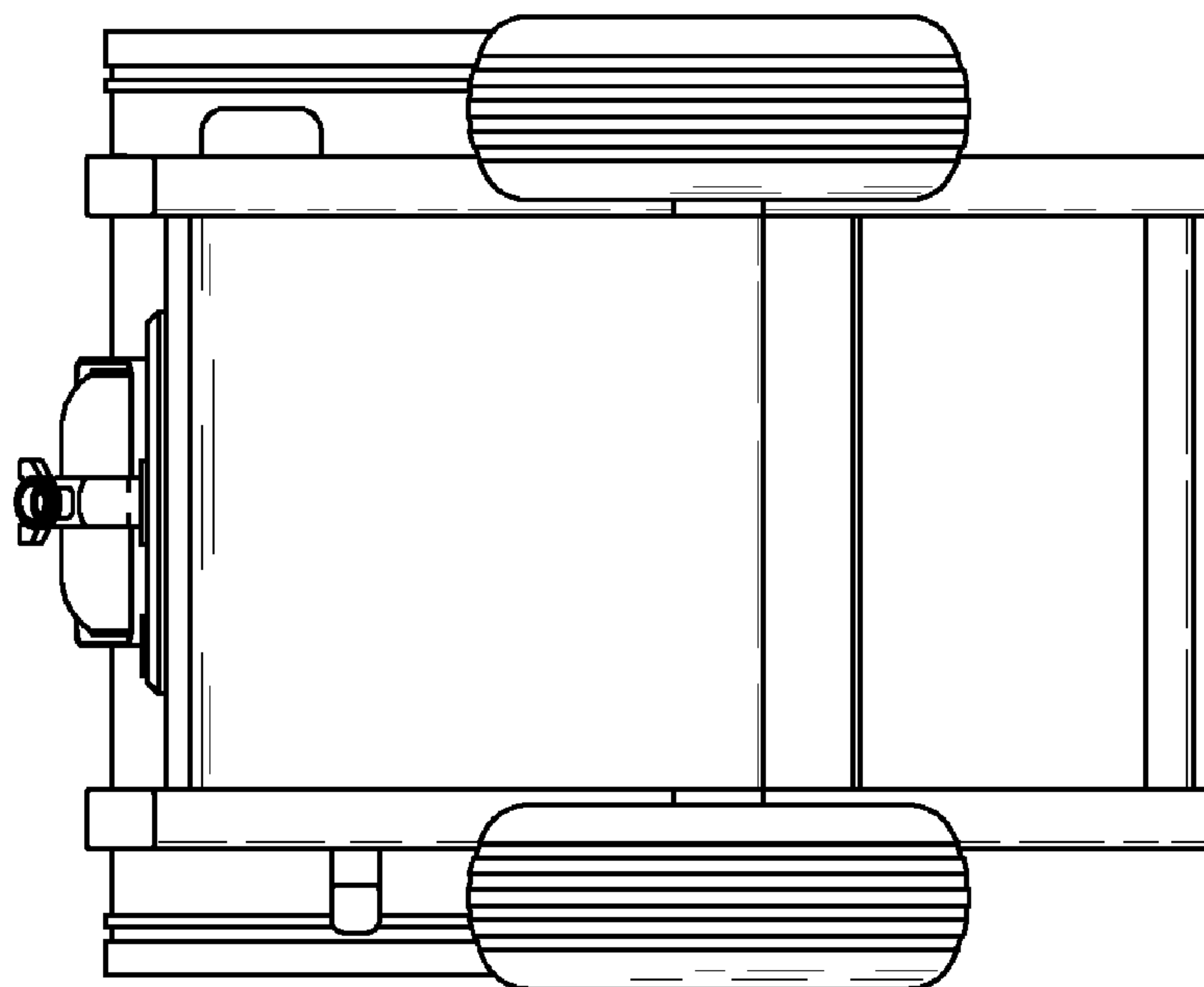


FIG. 7



FIG. 8