



US00D575842S

(12) **United States Design Patent**
Jianwei

(10) **Patent No.:** **US D575,842 S**

(45) **Date of Patent:** **** Aug. 26, 2008**

(54) **REEL**

D483,091 S * 12/2003 Griffiths et al. D22/137

(75) Inventor: **Sun Jianwei**, Shanghai (CN)

* cited by examiner

(73) Assignee: **American Electric Cord, Inc.**, Shanghai (CN)

Primary Examiner—Catherine R Oliver

(74) *Attorney, Agent, or Firm*—Stephen M. Nipper; Dykas, Shaver & Nipper, LLP

(**) Term: **14 Years**

(57) **CLAIM**

(21) Appl. No.: **29/295,384**

I claim. The ornamental design for a reel, as shown and described.

(22) Filed: **Sep. 27, 2007**

(51) **LOC (8) Cl.** **22-05**

(52) **U.S. Cl.** **D22/137**

(58) **Field of Classification Search** D22/137-141;
242/381, 322, 118.3, 118.4, 118.6, 118.7,
242/311, 295; 43/20, 21

See application file for complete search history.

DESCRIPTION

FIG. 1 is a perspective representational view of the reel;

FIG. 2 is a bottom plan view, of the reel;

FIG. 3 is a first side view of the reel;

FIG. 4 is a top plan view of the reel;

FIG. 5 is a first end view of the reel;

FIG. 6 is a second side view of the reel; and,

FIG. 7 is a second end view of the reel.

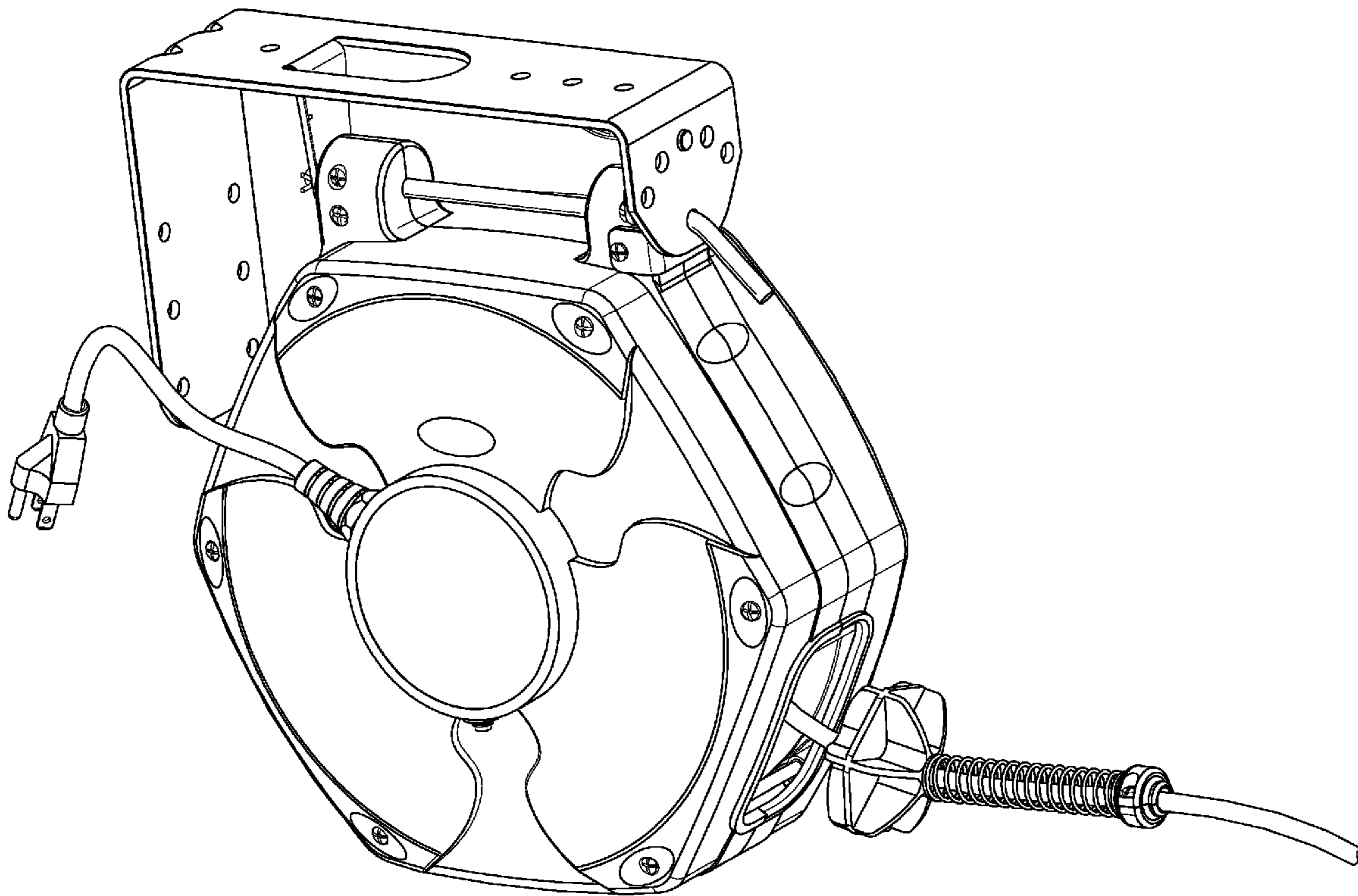
(56) **References Cited**

U.S. PATENT DOCUMENTS

D412,023 S * 7/1999 Shields D22/137

6,488,224 B1 * 12/2002 Hiebenthal 242/381

1 Claim, 3 Drawing Sheets



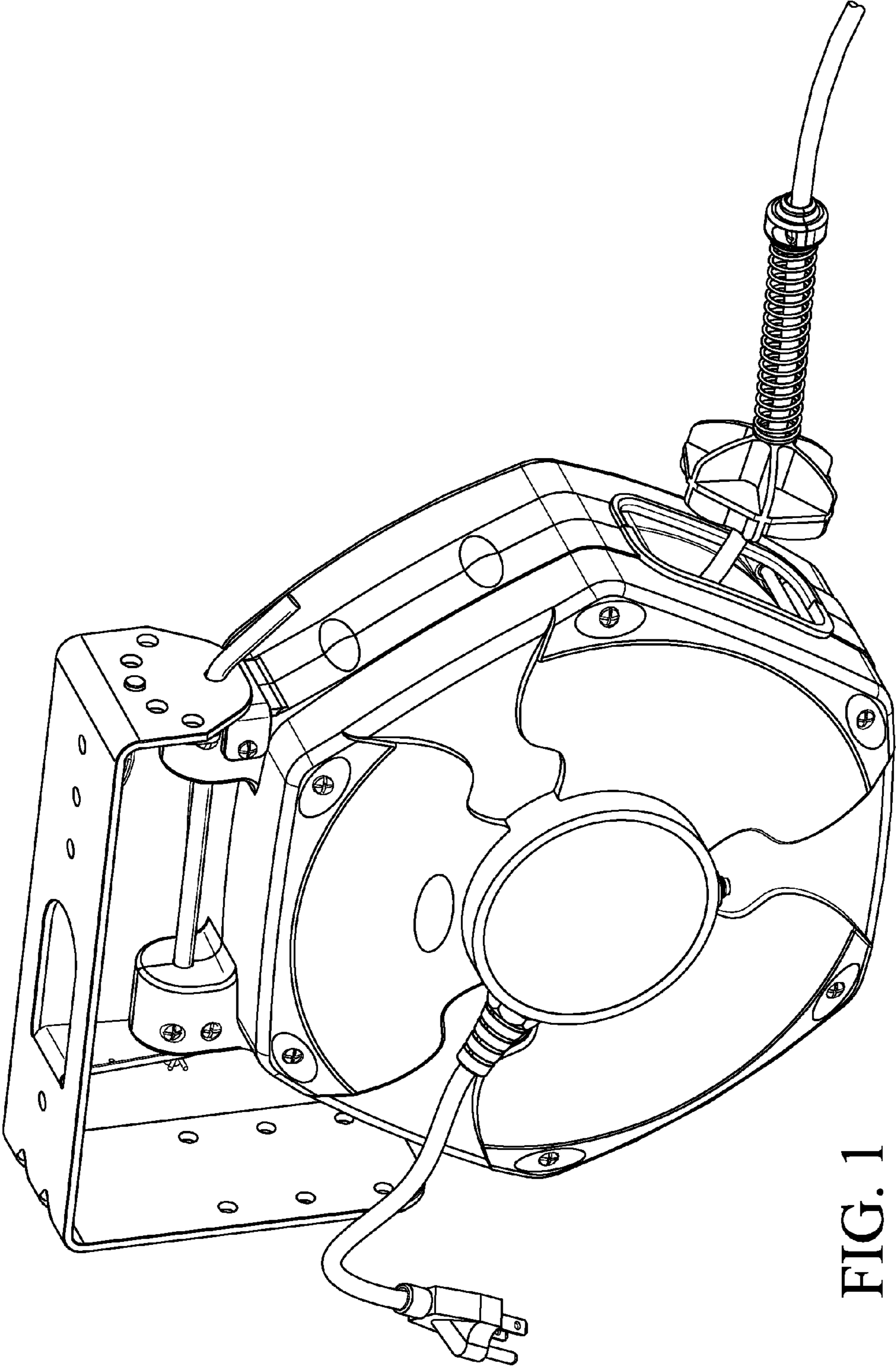


FIG. 1

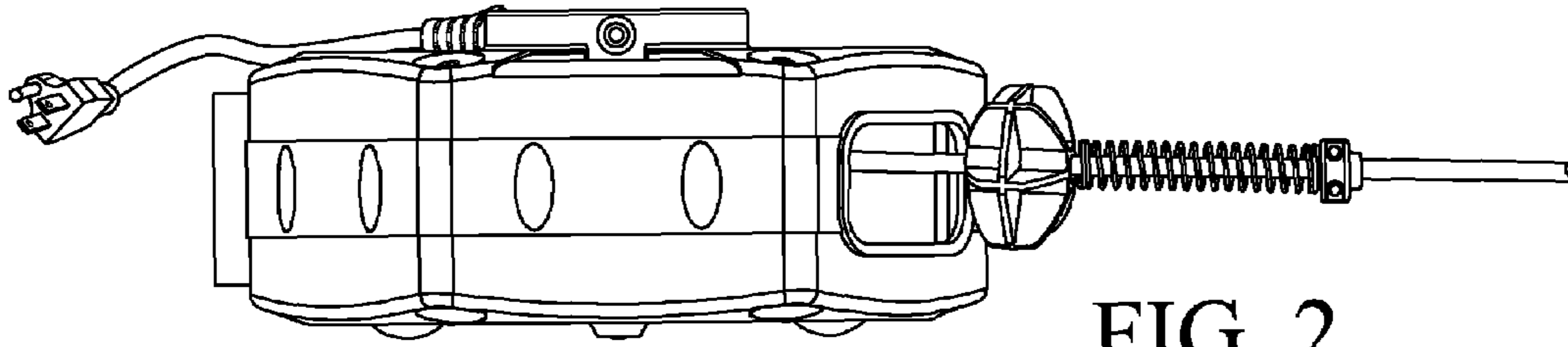


FIG. 2

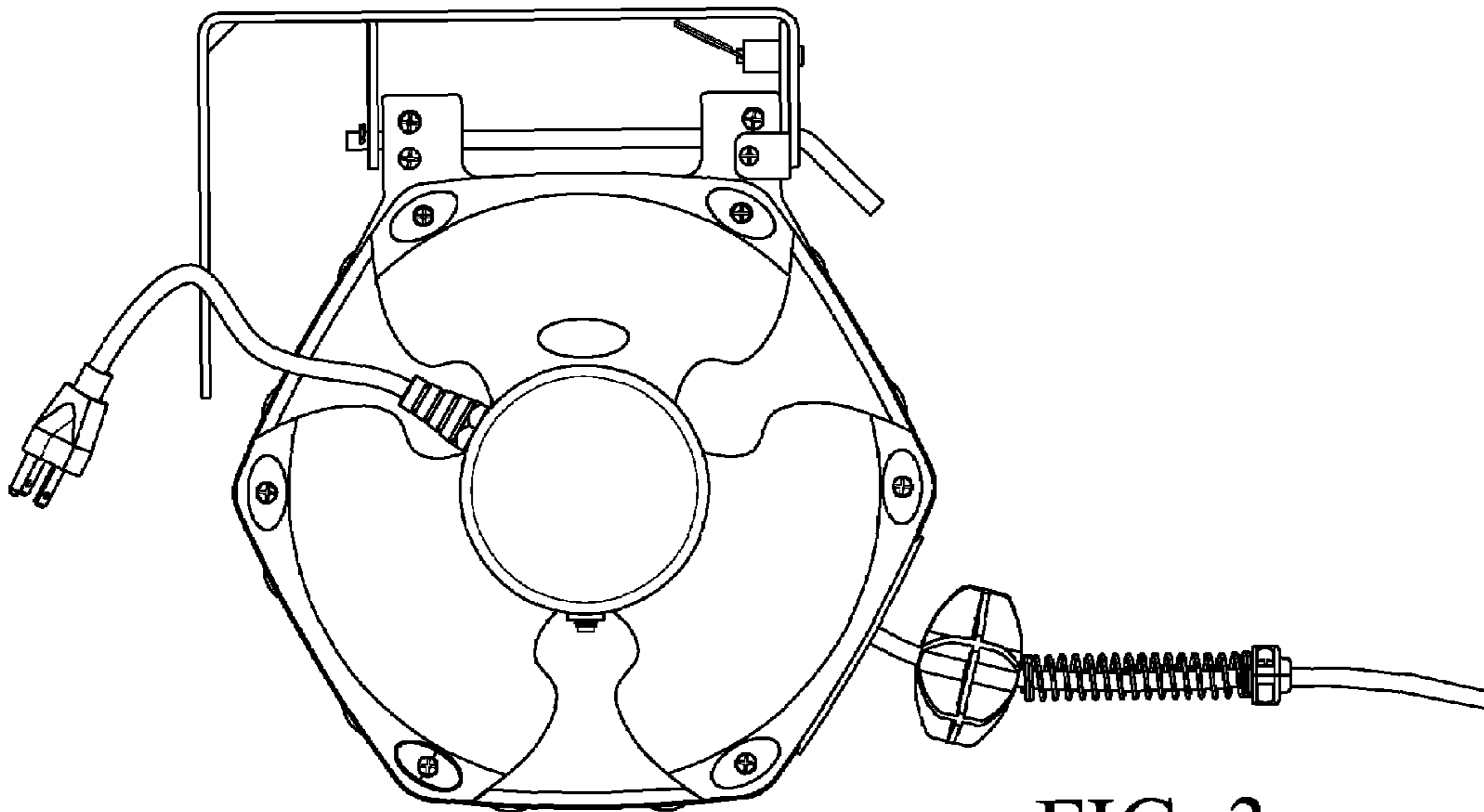


FIG. 3

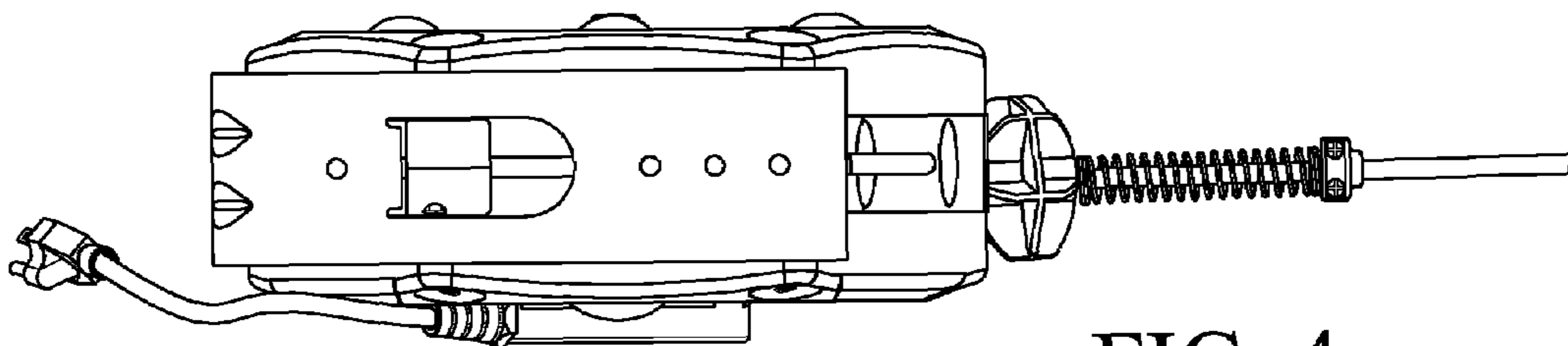


FIG. 4

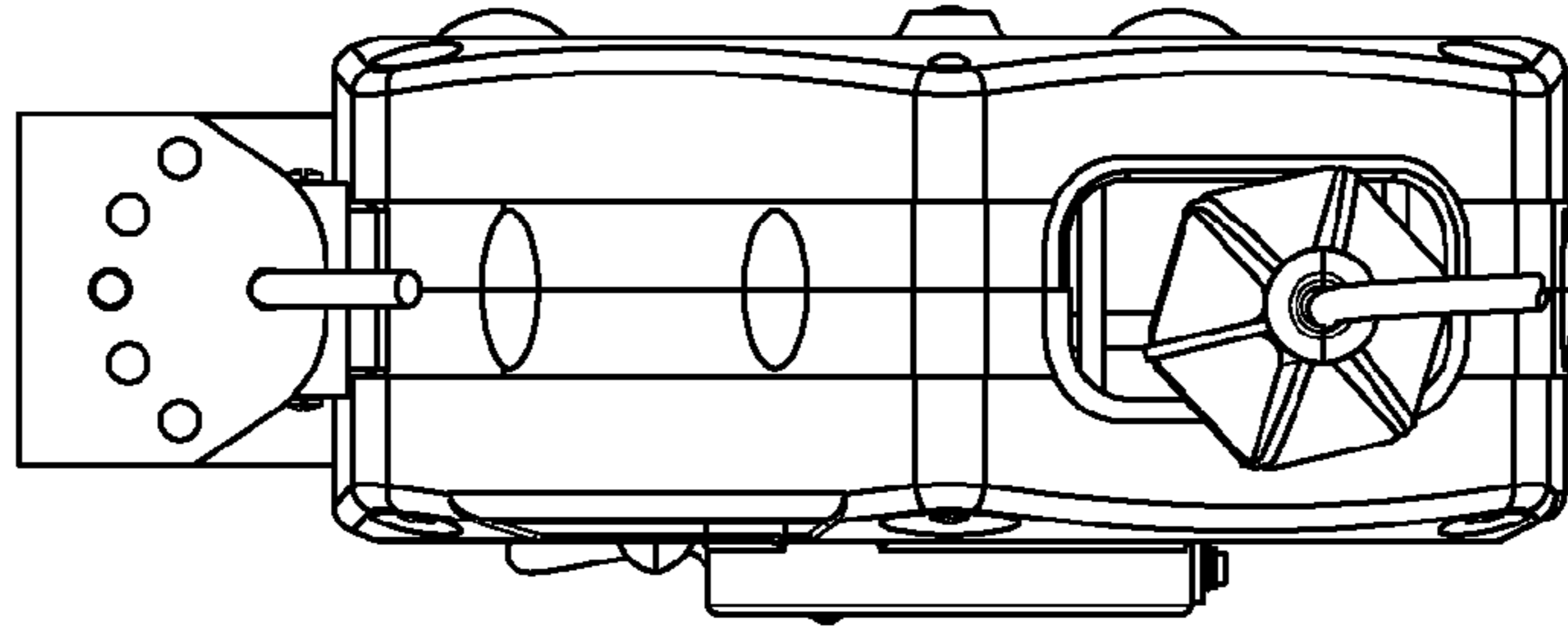


FIG. 7

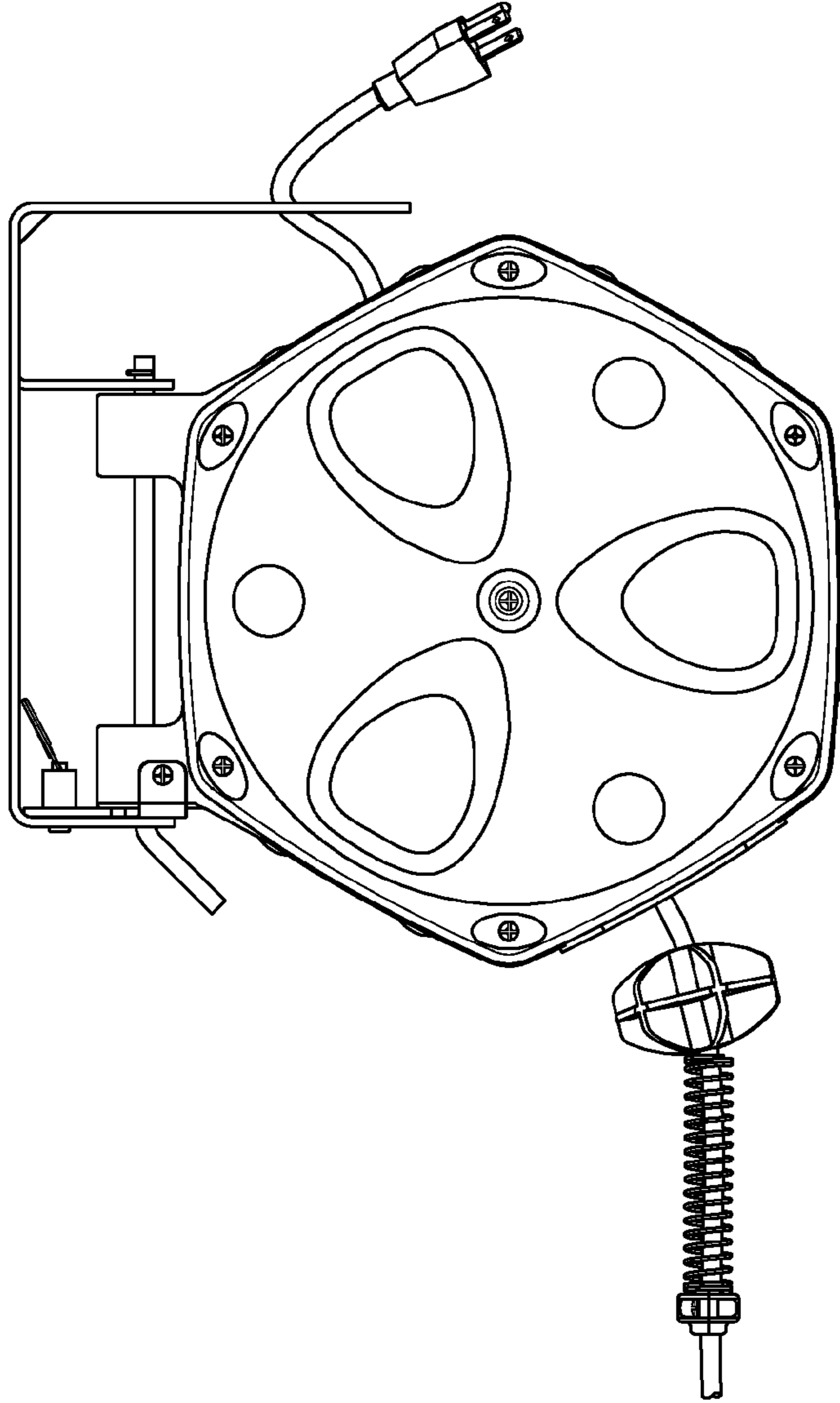


FIG. 6

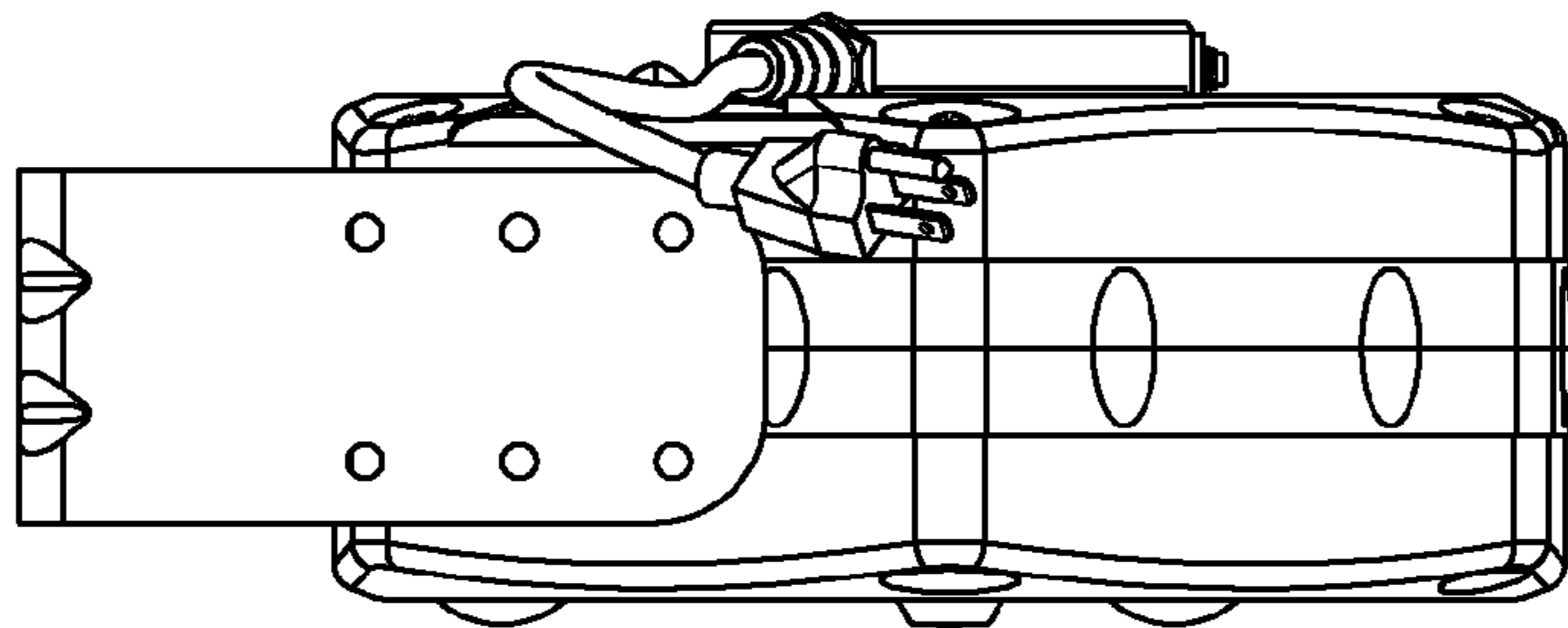


FIG. 5