



US00D575838S

(12) **United States Design Patent**
Goldberg

(10) **Patent No.:** **US D575,838 S**

(45) **Date of Patent:** **** Aug. 26, 2008**

(54) **EXERCISE CYCLE FRAME AND FORK**

(75) Inventor: **Johnny Goldberg**, Montecito, CA (US)

(73) Assignee: **Five Girl, Inc.**, Montecito, CA (US)

(**) Term: **14 Years**

(21) Appl. No.: **29/285,319**

(22) Filed: **Mar. 26, 2007**

(51) **LOC (8) Cl.** **21-02**

(52) **U.S. Cl.** **D21/697; D21/691**

(58) **Field of Classification Search** D21/662,
D21/663, 665, 666, 667, 668, 670, 694, 697;
D12/111, 117; D6/499; 482/52, 57, 62;
280/242.1, 249

See application file for complete search history.

(56) **References Cited**

U.S. PATENT DOCUMENTS

D191,792 S	11/1961	Maratta	
4,071,235 A	1/1978	Zent	
4,423,863 A *	1/1984	Figueroa	482/62
4,582,318 A	4/1986	Giannelli et al.	
4,618,141 A	10/1986	Ashworth, Jr.	
4,749,182 A *	6/1988	Duggan	482/114
D298,845 S *	12/1988	Giger	D21/665
4,900,014 A	2/1990	DeGraff	
5,145,479 A	9/1992	Olschansky et al.	
5,178,589 A *	1/1993	Wilson et al.	482/62
5,330,402 A *	7/1994	Johnson	482/62
5,338,272 A *	8/1994	Sweeney, III	482/57
5,342,262 A *	8/1994	Hansen	482/62
5,354,084 A	10/1994	Lofgren et al.	

5,735,774 A	4/1998	Maresh	
5,853,184 A	12/1998	Lofgren et al.	
5,860,329 A	1/1999	Day	
D410,712 S *	6/1999	Giger et al.	D21/665
5,989,162 A *	11/1999	Daniels	482/62
D421,936 S *	3/2000	Hong	D12/111
6,500,100 B1 *	12/2002	Harrell	482/57
D514,030 S *	1/2006	Stack	D12/111
D533,237 S *	12/2006	Lassanske et al.	D21/698
2006/0116248 A1	6/2006	Lofgren et al.	

* cited by examiner

Primary Examiner—Philip S Hyder

(74) *Attorney, Agent, or Firm*—Cislo & Thomas, LLP

(57) **CLAIM**

The ornamental design for an exercise cycle frame and fork, as shown and described.

DESCRIPTION

FIG. 1 is a perspective view of the exercise cycle frame and fork;

FIG. 2 is a left side view of the exercise cycle frame and fork;

FIG. 3 is a right side view of the exercise cycle frame and fork;

FIG. 4 is a front view of the exercise cycle frame and fork;

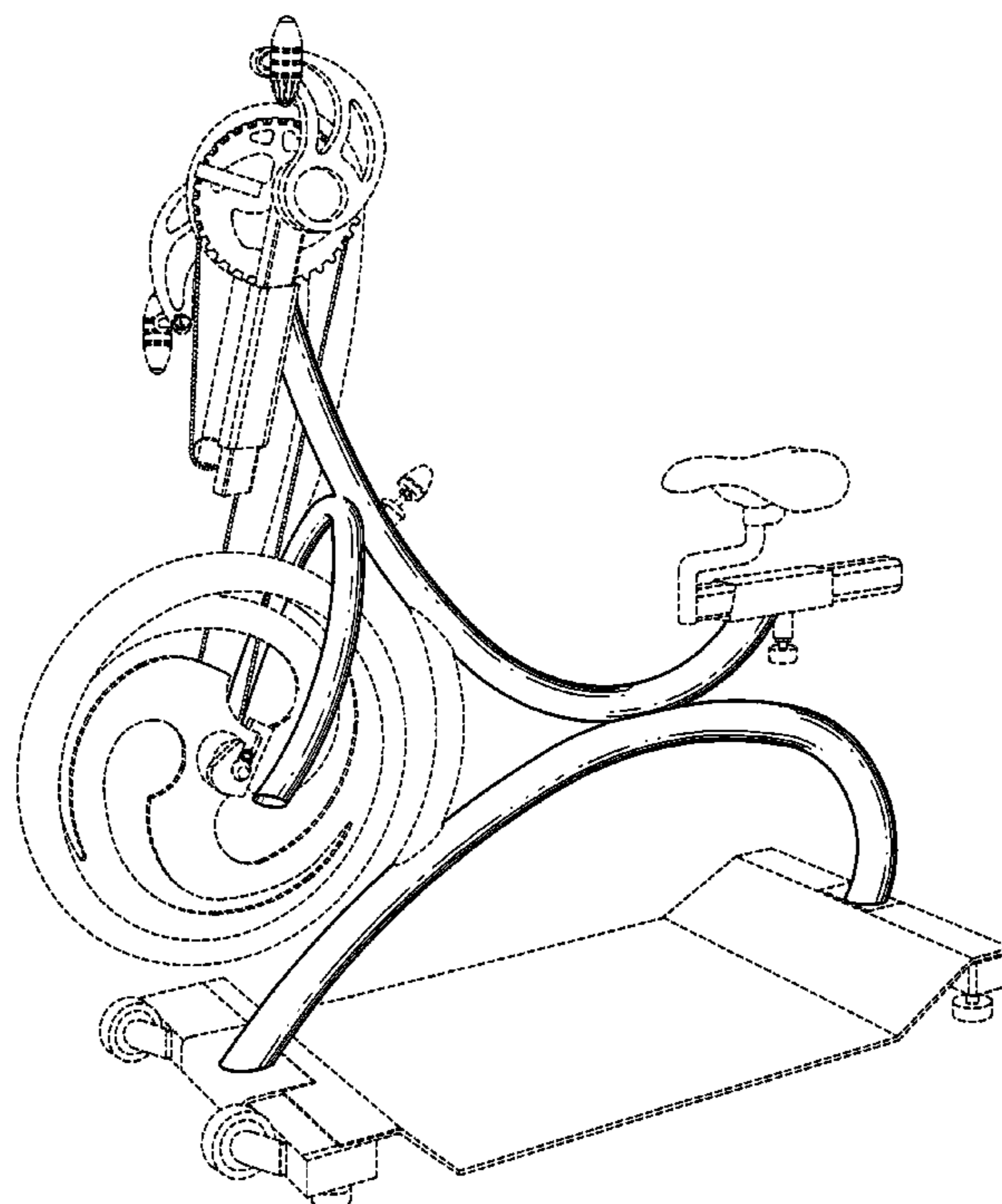
FIG. 5 is a rear view of the exercise cycle frame and fork;

FIG. 6 is a top view of the exercise cycle frame and fork; and,

FIG. 7 is a bottom view of the exercise cycle frame and fork.

The broken lines in the drawings are for illustrative purposes only and form no part of the claimed design.

1 Claim, 7 Drawing Sheets



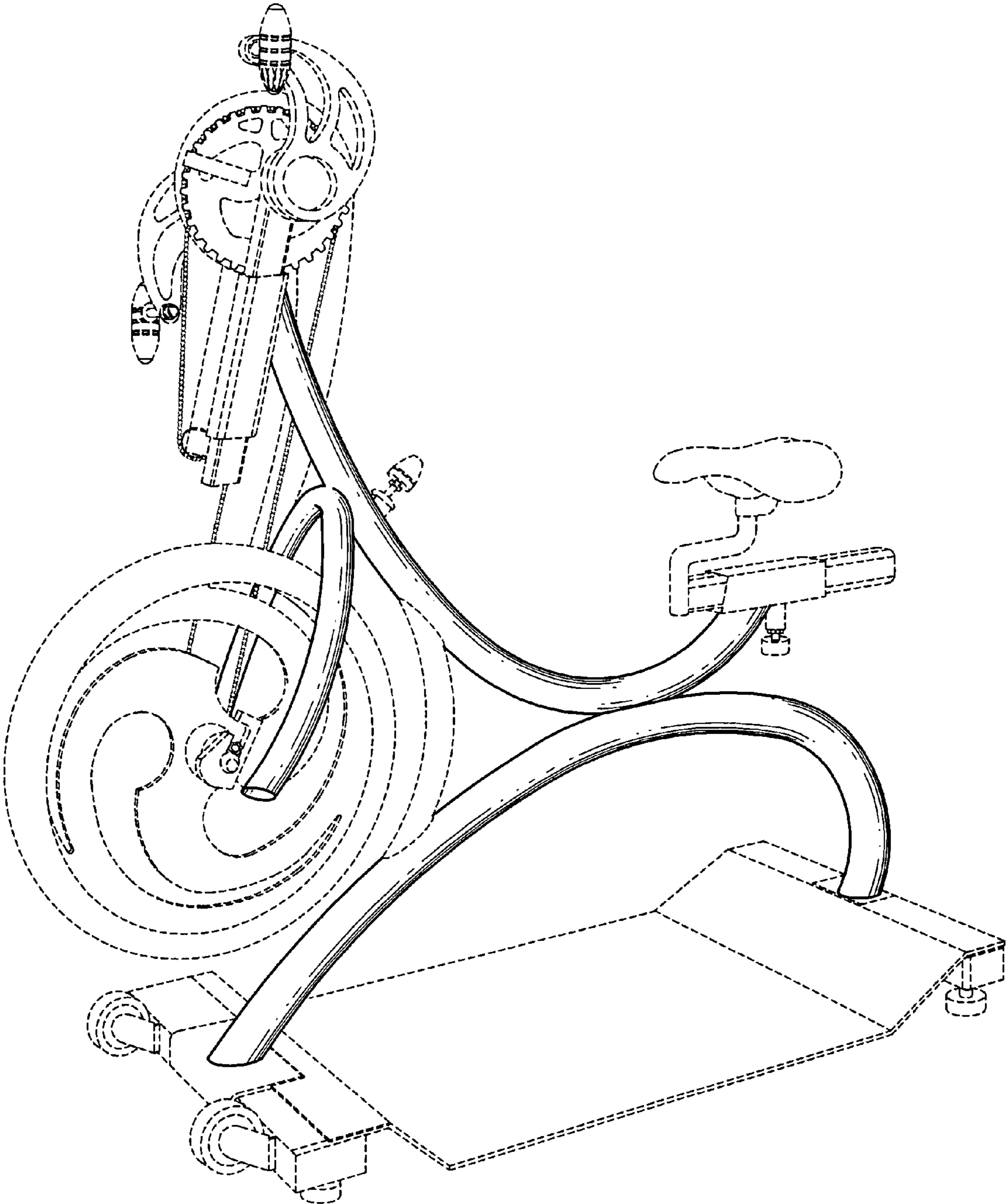


FIG. 1

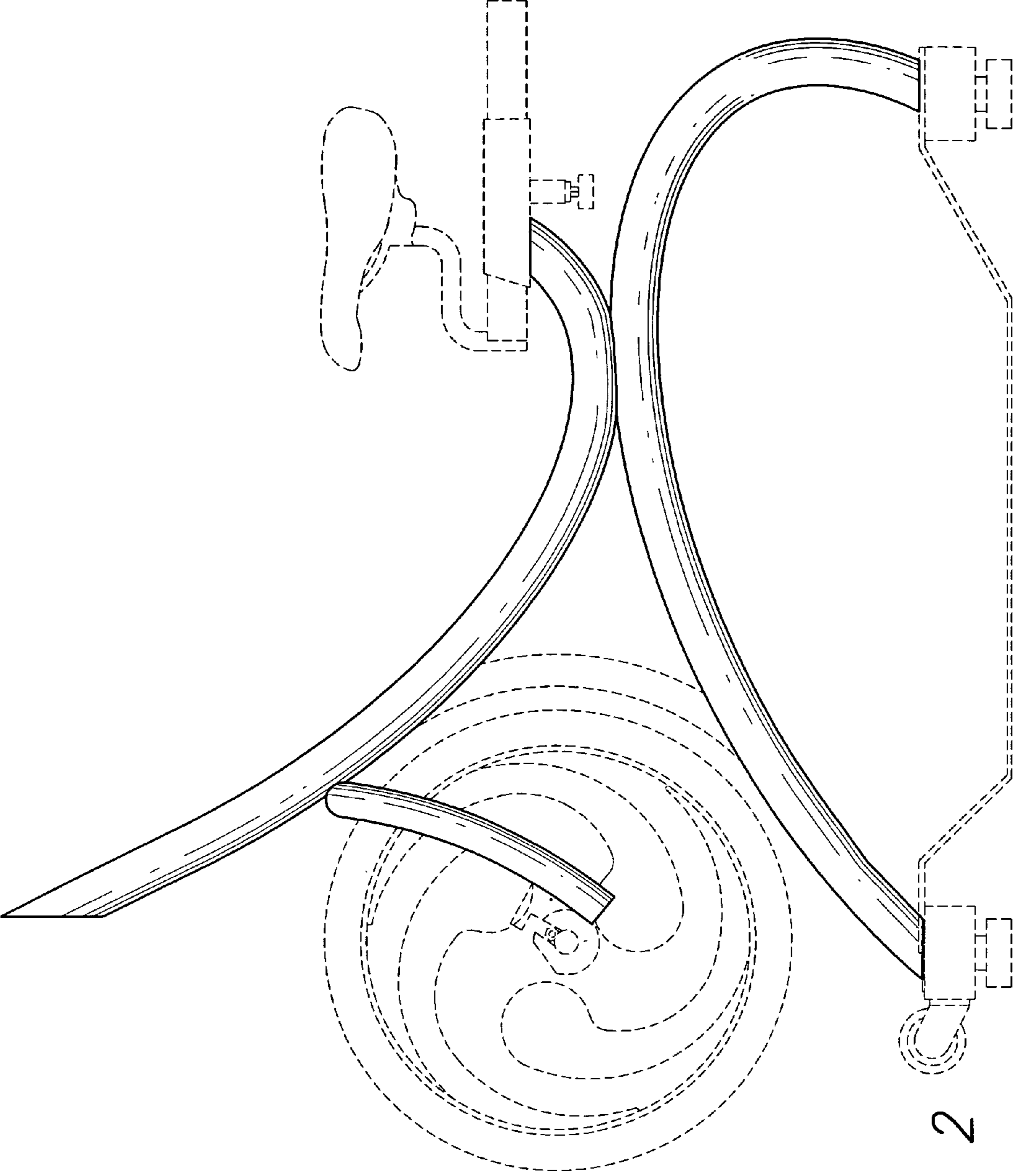
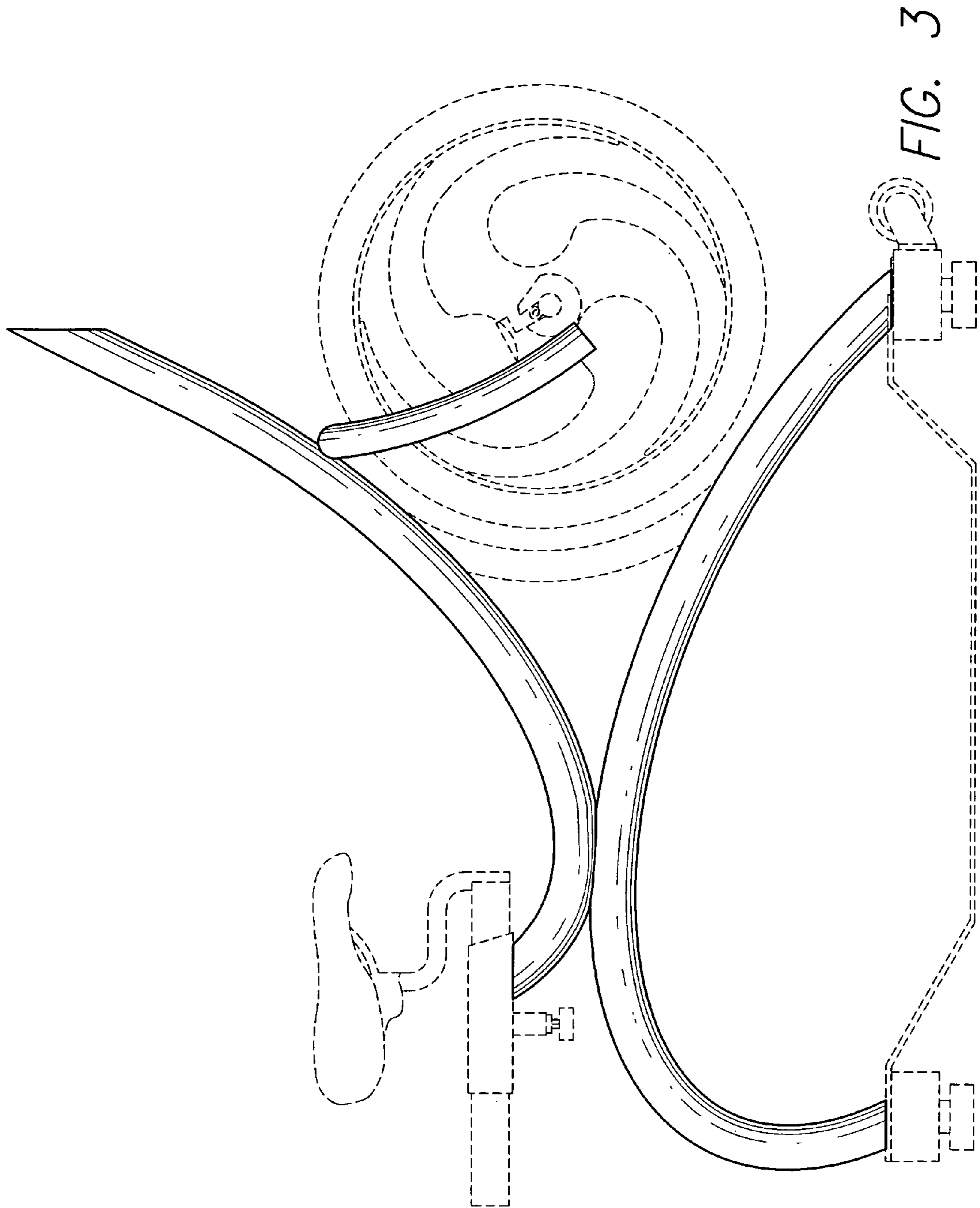


FIG. 2



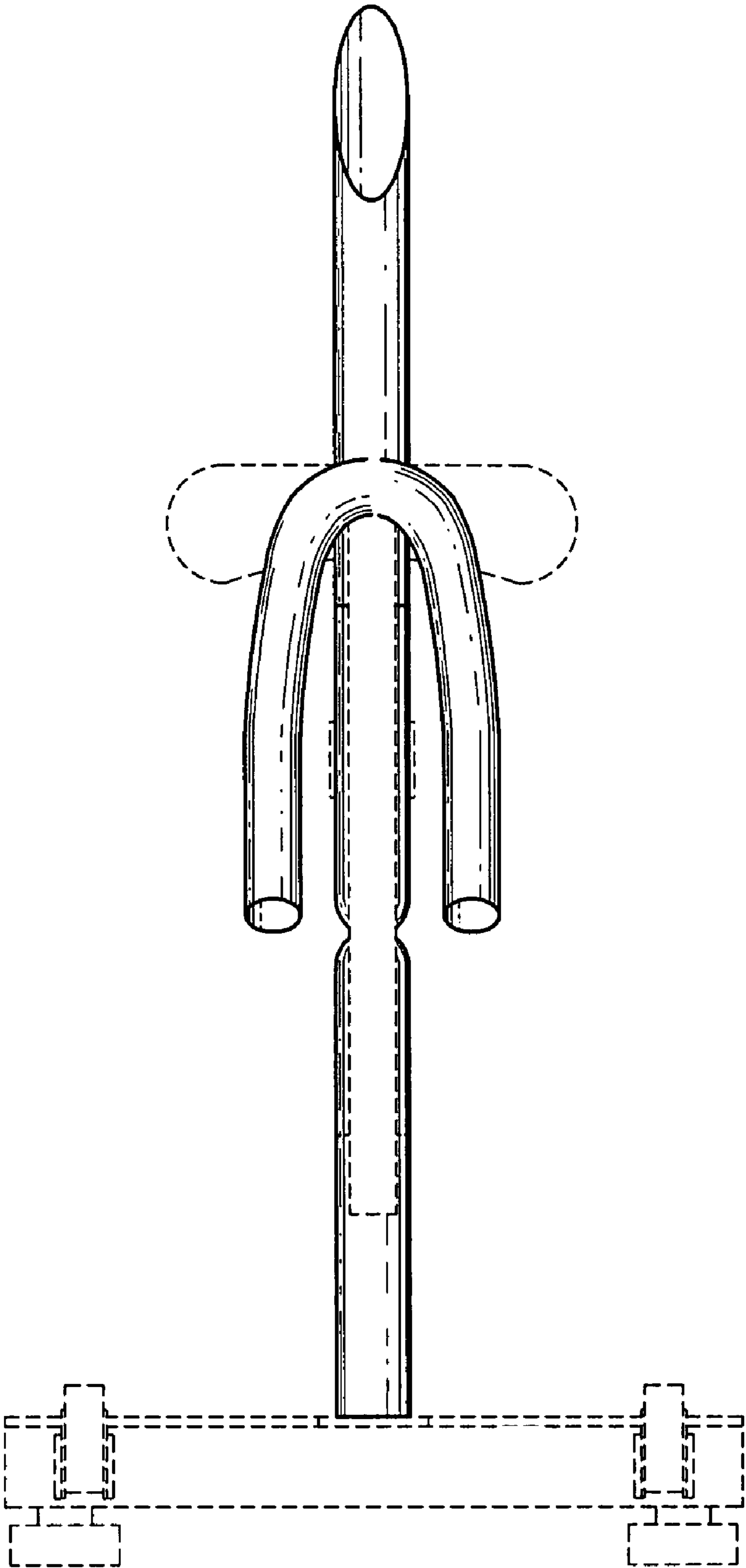


FIG. 4

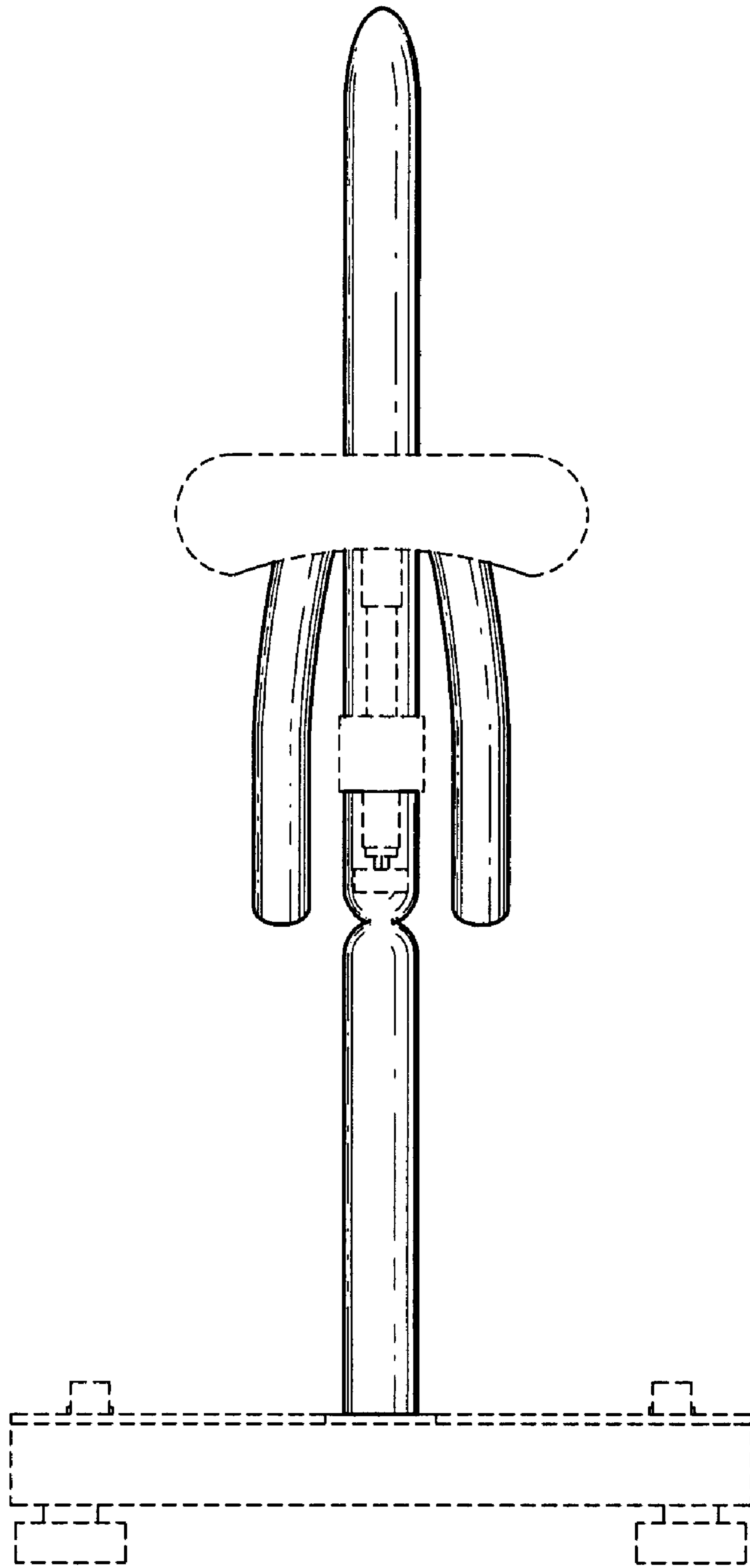


FIG. 5

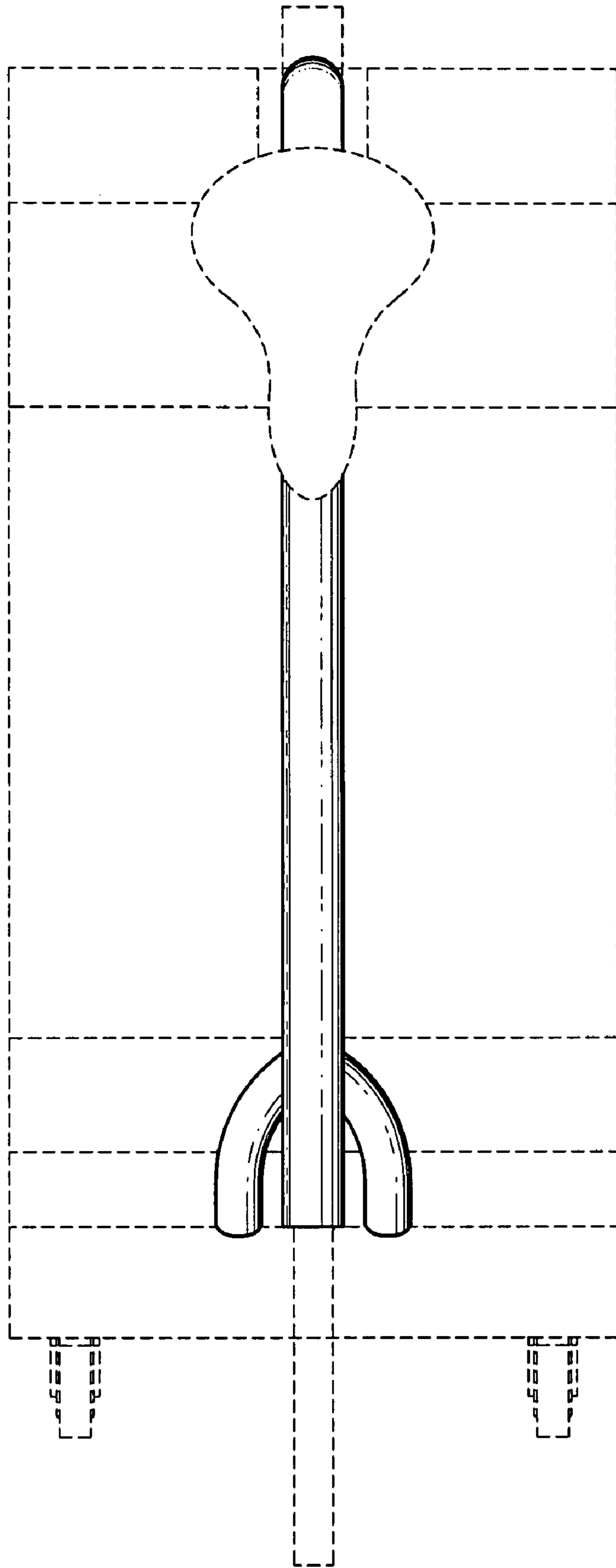


FIG. 6

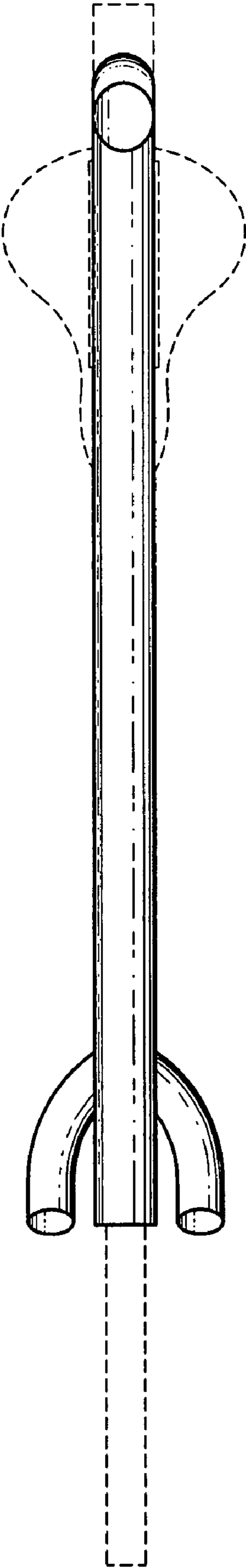


FIG. 7

UNITED STATES PATENT AND TRADEMARK OFFICE
CERTIFICATE OF CORRECTION

PATENT NO. : Des. 575,838 S
APPLICATION NO. : 29/285319
DATED : August 26, 2008
INVENTOR(S) : Johnny Goldberg

Page 1 of 1

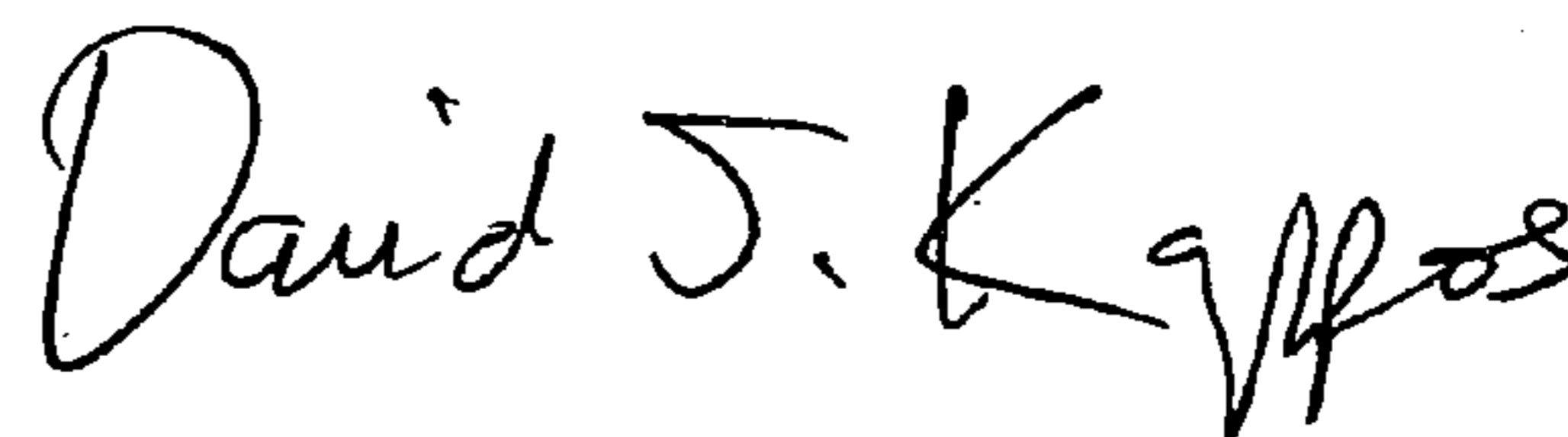
It is certified that error appears in the above-identified patent and that said Letters Patent is hereby corrected as shown below:

On the Title Page,

Item (73) The assignee, change "Five Girl, Inc." to read -- Five Giri, Inc. --.

Signed and Sealed this

Twenty-fifth Day of August, 2009



David J. Kappos
Director of the United States Patent and Trademark Office