



US00D575837S

(12) **United States Design Patent**  
**Horita**

(10) **Patent No.:** **US D575,837 S**  
(45) **Date of Patent:** **\*\* Aug. 26, 2008**

(54) **HAND GRIPS FOR AN EXERCISE DEVICE**

(75) Inventor: **Sean Horita**, Seattle, WA (US)

(73) Assignee: **Precor Incorporated**, Woodinville, WA (US)

(\*\*) Term: **14 Years**

(21) Appl. No.: **29/270,597**

(22) Filed: **Dec. 28, 2006**

(51) **LOC (8) Cl.** ..... **21-02**

(52) **U.S. Cl.** ..... **D21/694**

(58) **Field of Classification Search** ..... D21/324,  
D21/662-663, 665-671, 673, 686, 690-691,  
D21/694, 696-697; 482/44, 49, 51-52, 54,  
482/57, 66, 68, 70, 72-73, 79, 80; D12/111,  
D12/114

See application file for complete search history.

(56) **References Cited**

U.S. PATENT DOCUMENTS

4,572,500	A	2/1986	Weiss	272/72
4,869,492	A	9/1989	Joutras	272/68
D330,236	S *	10/1992	Jarriel et al.	D21/665
D359,014	S *	6/1995	Haney et al.	D12/111
5,797,165	A	8/1998	Armbrust	482/49
5,803,874	A *	9/1998	Wilkinson	482/54
D407,769	S *	4/1999	Sands et al.	D21/670
D413,357	S *	8/1999	Hsieh	D21/662
D459,773	S *	7/2002	Hsiung	D21/668
D472,945	S *	4/2003	Panatta	D21/662
6,692,416	B1	2/2004	Davis	482/44
D507,025	S *	7/2005	Husted et al.	D21/668
7,115,077	B2 *	10/2006	Yang	482/73
2004/0027332	A1 *	2/2004	Cope et al.	345/161
2004/0180766	A1	9/2004	Guinn	482/126
2004/0192516	A1	9/2004	Buechel, Jr. et al.	482/66
2005/0124466	A1	6/2005	Rodgers, Jr.	482/52
2005/0124467	A1	6/2005	Rodgers, Jr.	482/52
2005/0125955	A1	6/2005	Buechel, Jr. et al.	16/426

2005/0187076	A1	8/2005	Mason	482/93
2005/0241111	A1 *	11/2005	Prokop	16/430
2005/0288155	A1 *	12/2005	Yang	482/52
2006/0135330	A1	6/2006	Clark et al.	482/139
2007/0254778	A1 *	11/2007	Ashby	482/5

OTHER PUBLICATIONS

AMT™ 100i at Precor™ USA.com Products. Downloaded Feb. 4, 2008 at <http://www.precor.com/comm/en/amt/amt100i/>.\*

\* cited by examiner

Primary Examiner—T. Chase Nelson

Assistant Examiner—RoseLynne Cody

(74) Attorney, Agent, or Firm—Terence P. O'Brien

(57) **CLAIM**

I claim the ornamental design for a hand grips for an exercise device, as shown and described.

**DESCRIPTION**

FIG. 1 is a rear side perspective view of a set of hand grips for an exercise device;

FIG. 2 is a top view of the hand grips of FIG. 1;

FIG. 3 is a first side view of the hand grips of FIG. 1;

FIG. 4 is a second side view of the hand grips of FIG. 1;

FIG. 5 is a front view of the hand grips of FIG. 1;

FIG. 6 is a rear view of the hand grips of FIG. 1;

FIG. 7 is an enlarged rear side perspective view of the hand grips of FIG. 1;

FIG. 8 is an enlarged top view of the hand grips of FIG. 1; and,

FIG. 9 is an enlarged first side view of the hand grips of FIG. 1.

The ornamental design that is claimed is shown in solid lines in the drawings. The broken (dashed) lines shown in the drawings are included for the purpose of illustrating environmental elements only and form no part of the claimed design.

**1 Claim, 7 Drawing Sheets**

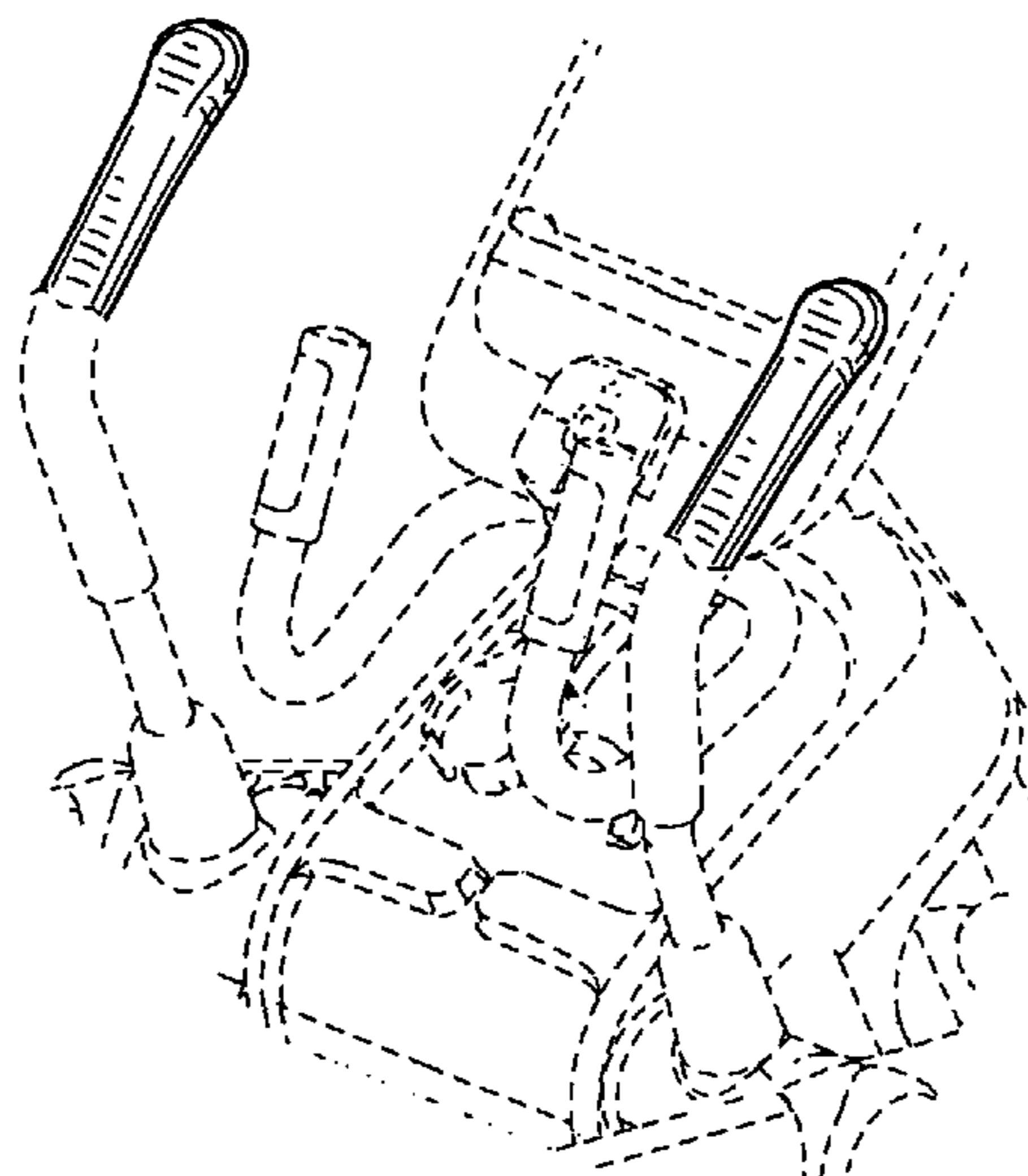
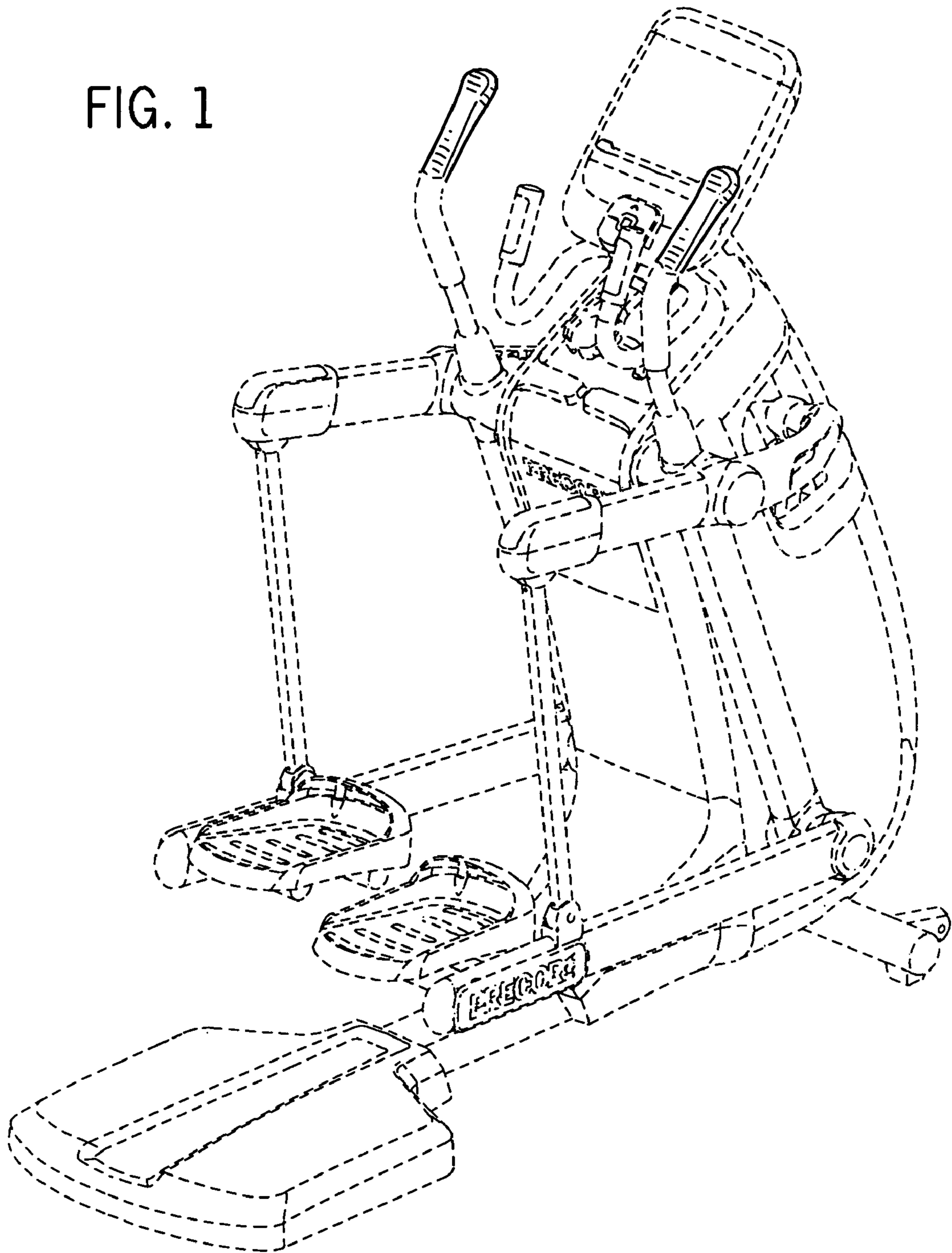


FIG. 1



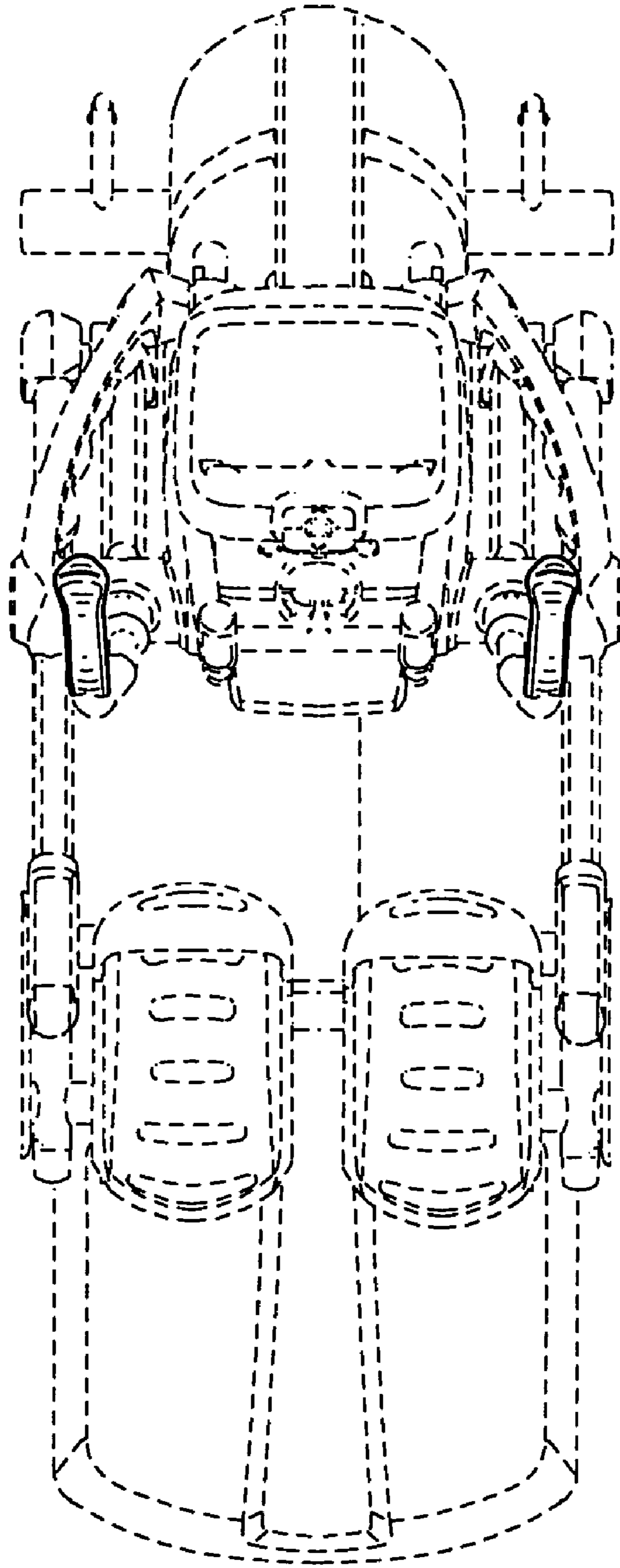


FIG. 2

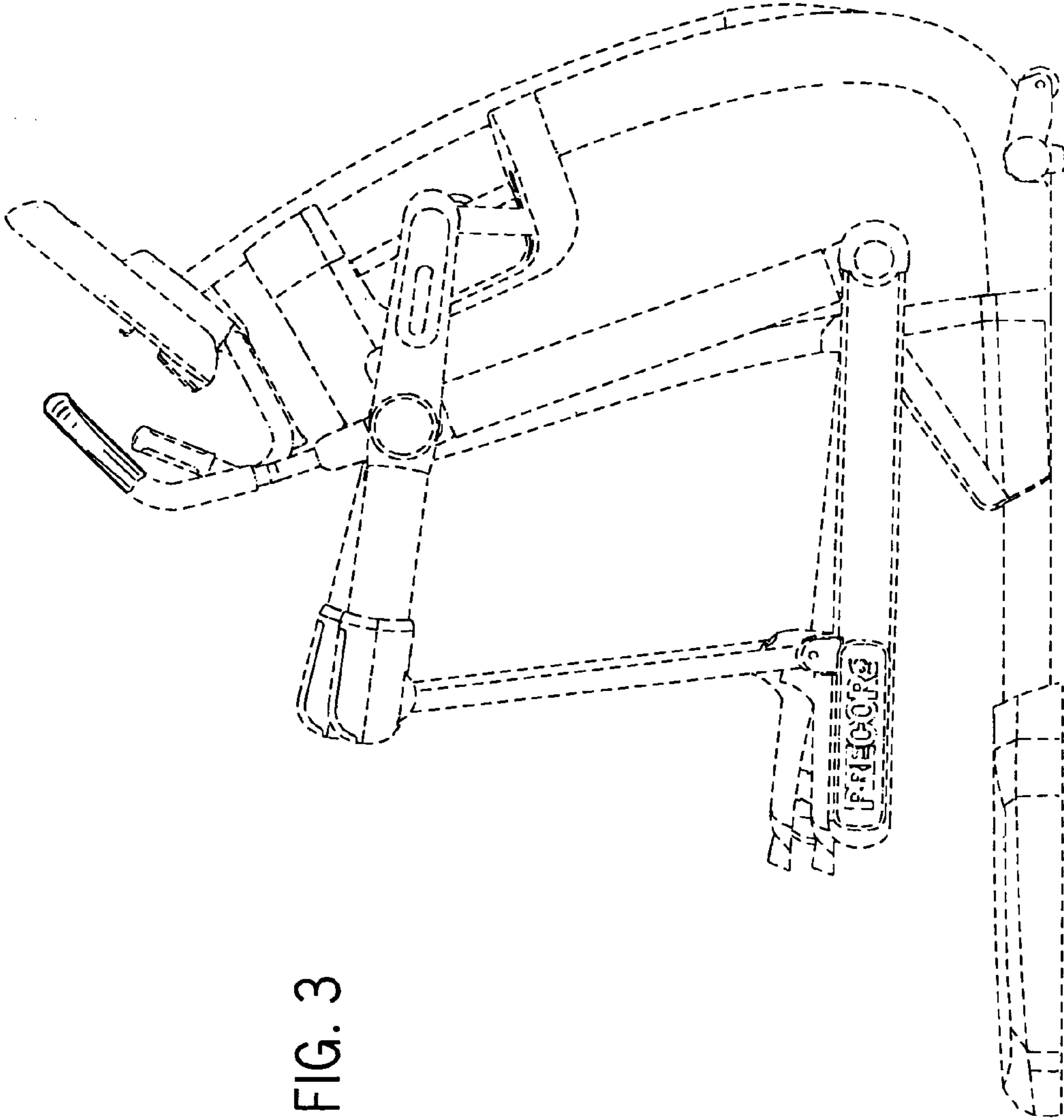


FIG. 3

FIG. 4

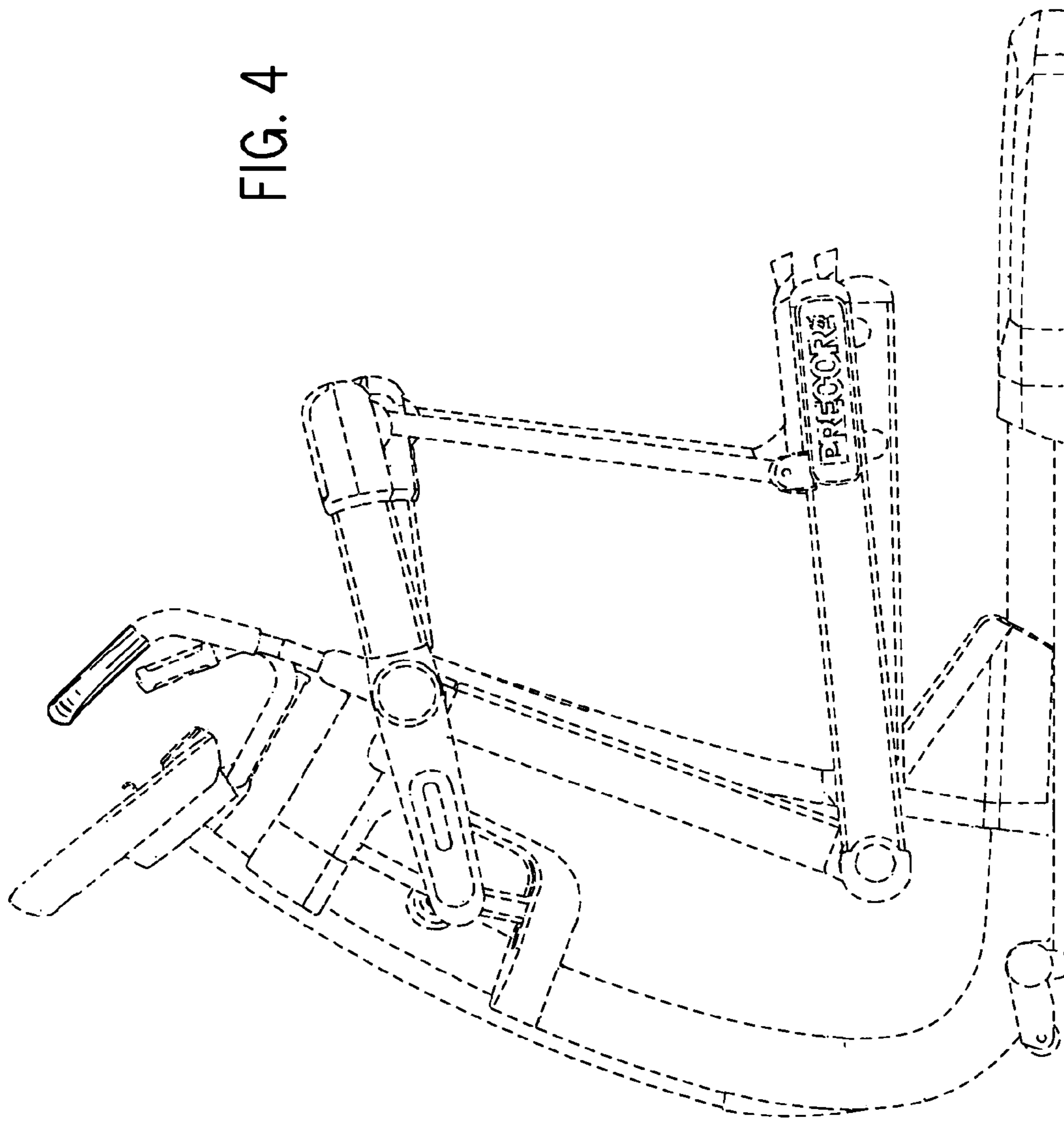


FIG. 6

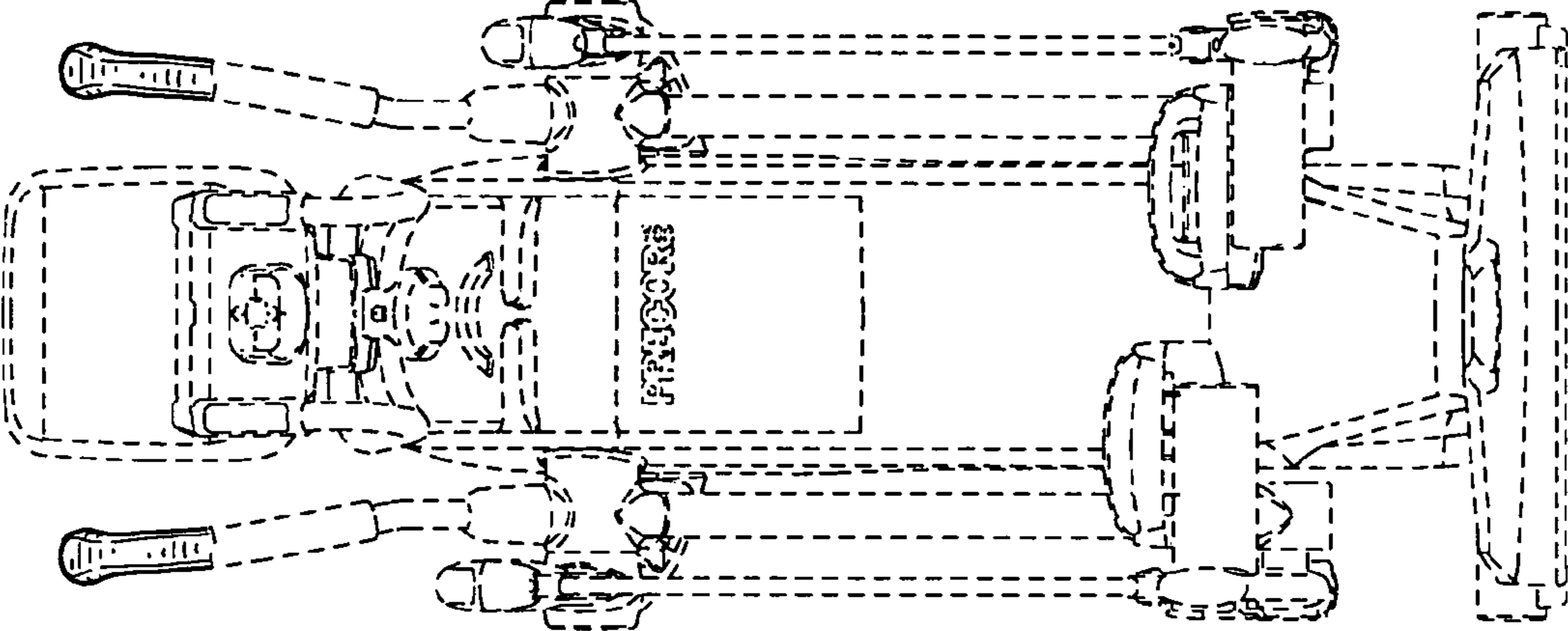
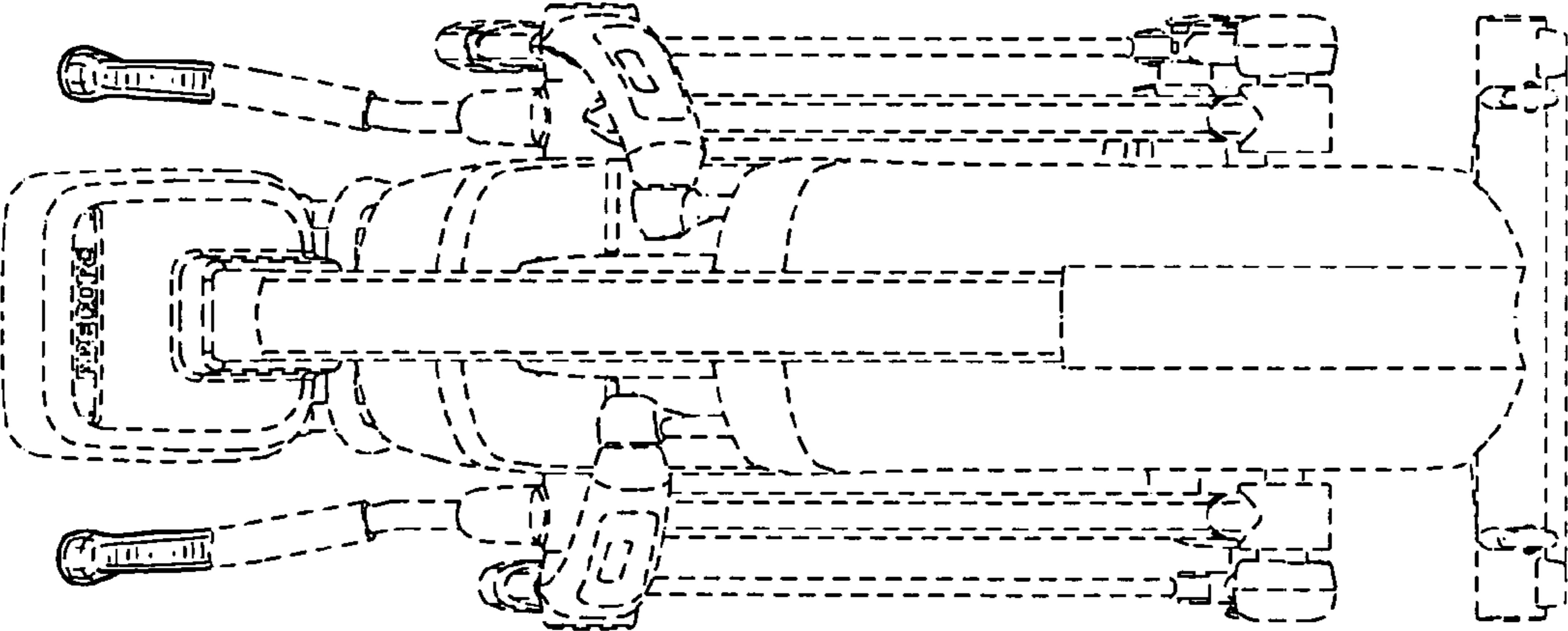


FIG. 5



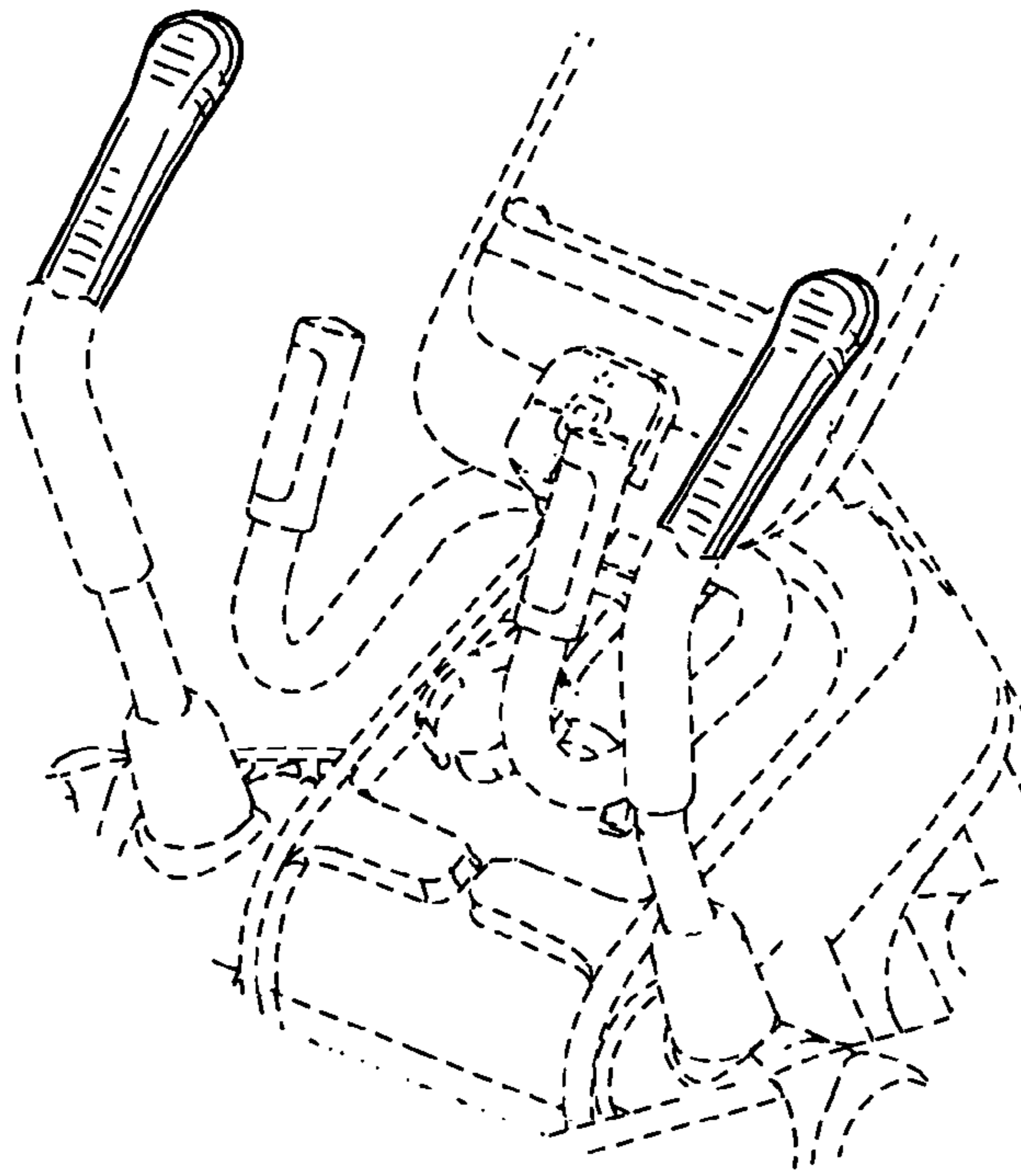


FIG. 7

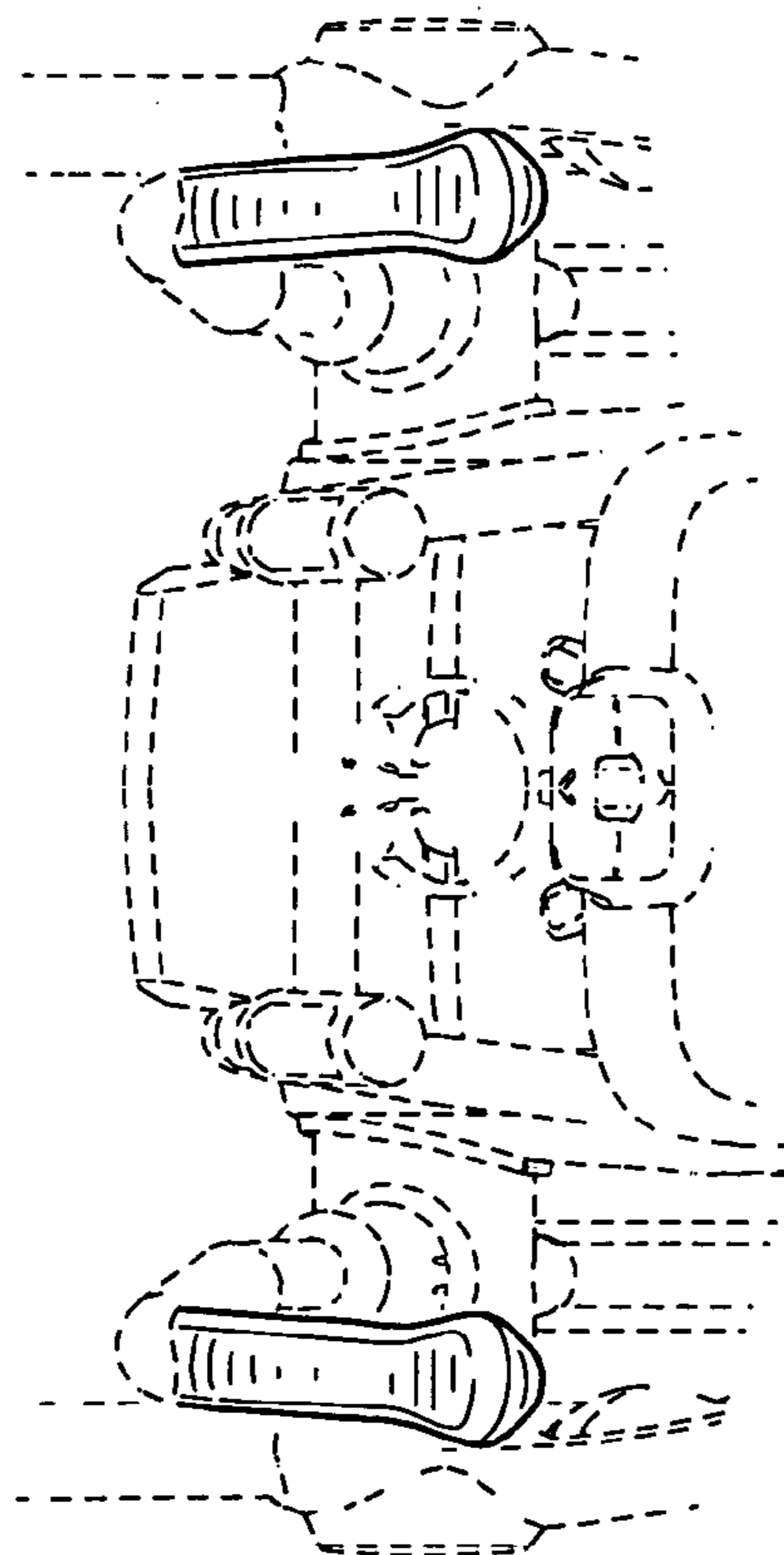


FIG. 8

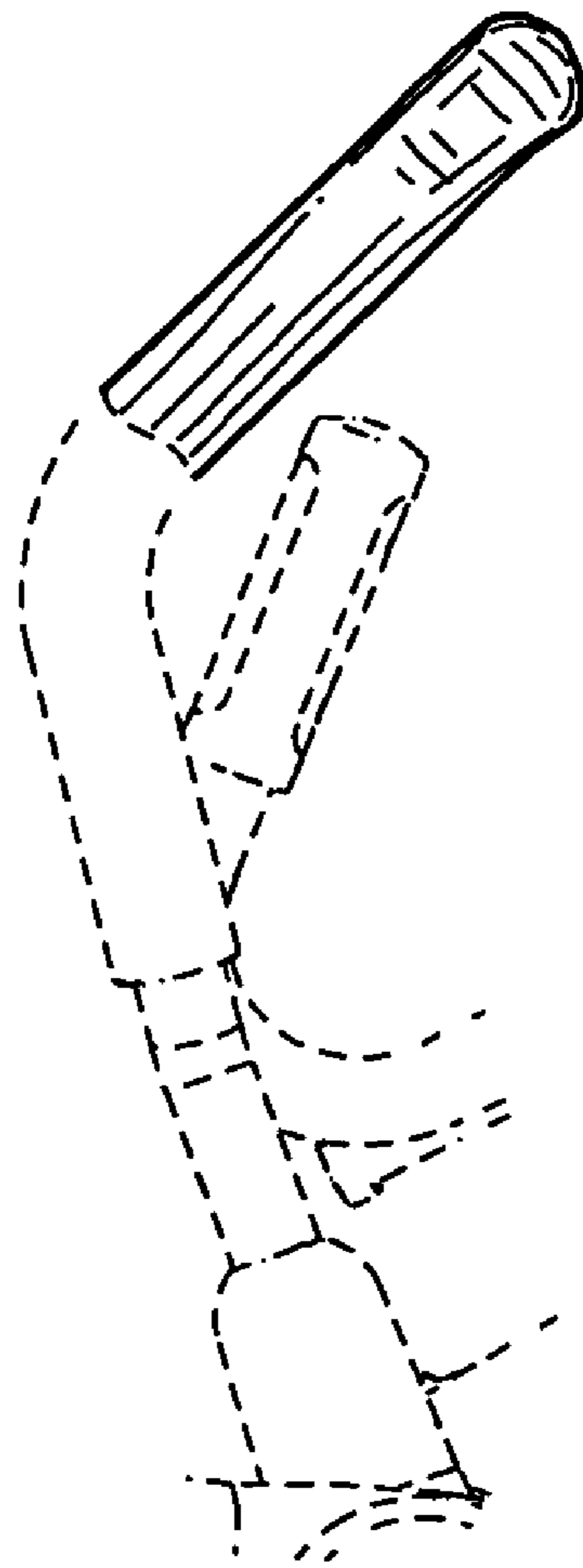


FIG. 9