



US00D575836S

(12) **United States Design Patent**
Hsiao

(10) **Patent No.:** **US D575,836 S**

(45) **Date of Patent:** **** Aug. 26, 2008**

(54) **STEPPING EXERCISER WITH ROLLING WHEELS**

D459,773 S * 7/2002 Hsiung D21/668
D486,537 S * 2/2004 Lin D21/694

* cited by examiner

(76) Inventor: **Ya-Chu Hsiao**, 7F., No. 26, Sec. 2,
Yuanji Rd., Shetou Township, Changhua
County 511 (TW)

Primary Examiner—Philip S Hyder

(74) *Attorney, Agent, or Firm*—C. G. Mersereau; Nikolai &
Mersereau, P.A.

(**) Term: **14 Years**

(57) **CLAIM**

(21) Appl. No.: **29/288,201**

The ornamental design for a stepping exerciser with rolling wheels, as shown and described.

(22) Filed: **Jun. 4, 2007**

(51) **LOC (8) Cl.** **21-02**

(52) **U.S. Cl.** **D21/668**

(58) **Field of Classification Search** D21/662,
D21/663, 666, 667, 668, 670; 482/52, 57,
482/70, 79, 80

See application file for complete search history.

DESCRIPTION

(56) **References Cited**

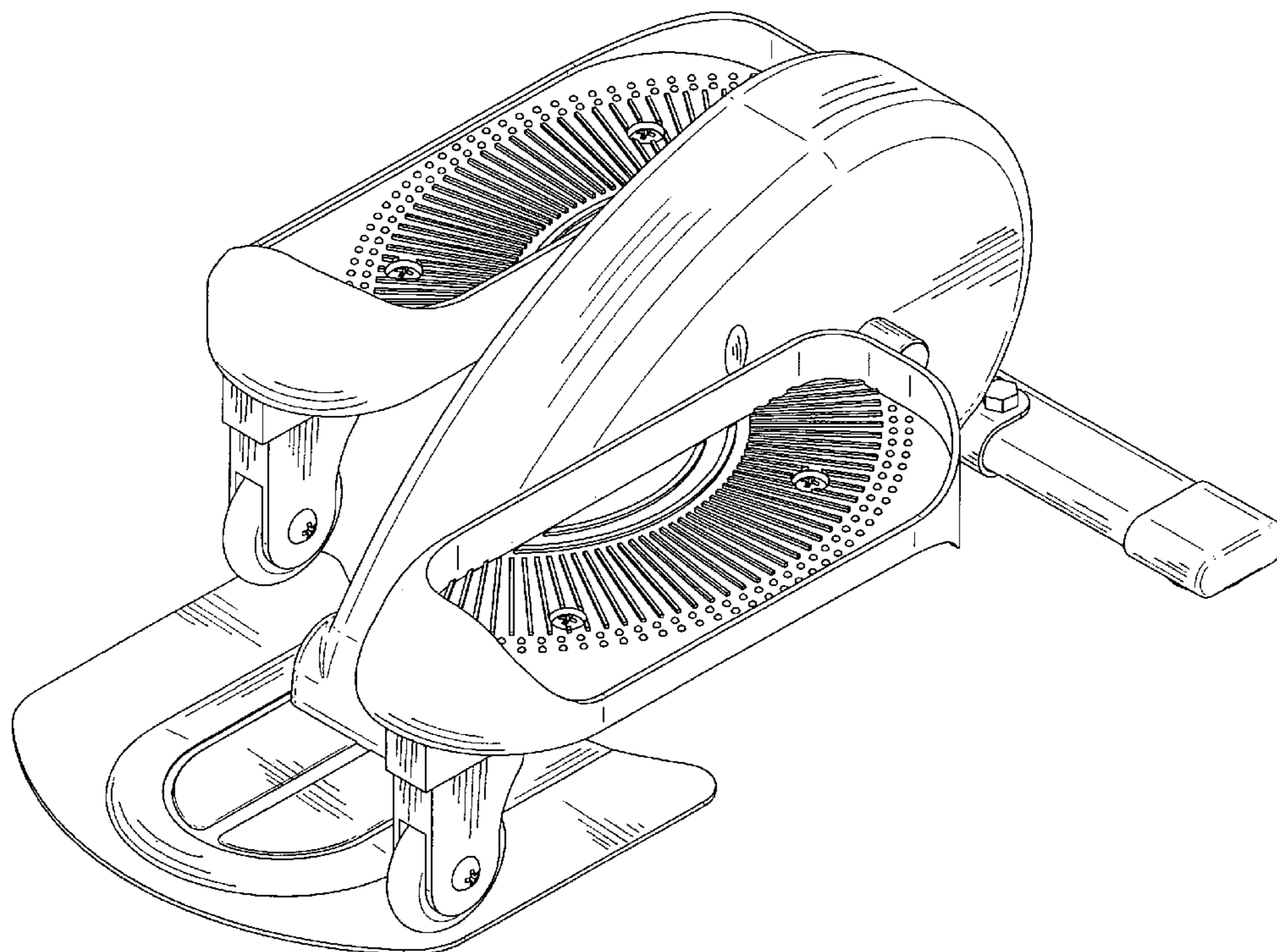
U.S. PATENT DOCUMENTS

5,746,683	A *	5/1998	Lee	482/57
D397,383	S *	8/1998	Sands et al.	D21/663
D398,672	S *	9/1998	Sands et al.	D21/663
5,803,872	A *	9/1998	Chang	482/52
D405,852	S *	2/1999	McBride	D21/670
D406,289	S *	3/1999	Hwang	D21/668
6,007,462	A *	12/1999	Chen	482/57
6,063,008	A *	5/2000	McBride et al.	482/52
D438,264	S *	2/2001	Hsiung	D21/670
D458,977	S *	6/2002	Tobias et al.	D21/668
D459,418	S *	6/2002	Hsiung	D21/668

FIG. 1 is a perspective view of a stepping exerciser with rolling wheels showing my new design;
 FIG. 2 is a front side elevational view thereof;
 FIG. 3 is a rear side elevational view thereof;
 FIG. 4 is a left elevational view thereof;
 FIG. 5 is a right elevational view thereof;
 FIG. 6 is a top plan view thereof;
 FIG. 7 is a bottom plan view thereof;
 FIG. 8 is a perspective view thereof;
 FIG. 9 is a perspective view thereof; and,
 FIG. 10 is a perspective view thereof.

The broken line showings of the handle assemblies in FIGS. 8, 9 and 10 are included for the purpose of illustrating environmental structure and form no part of the claimed design.

1 Claim, 10 Drawing Sheets



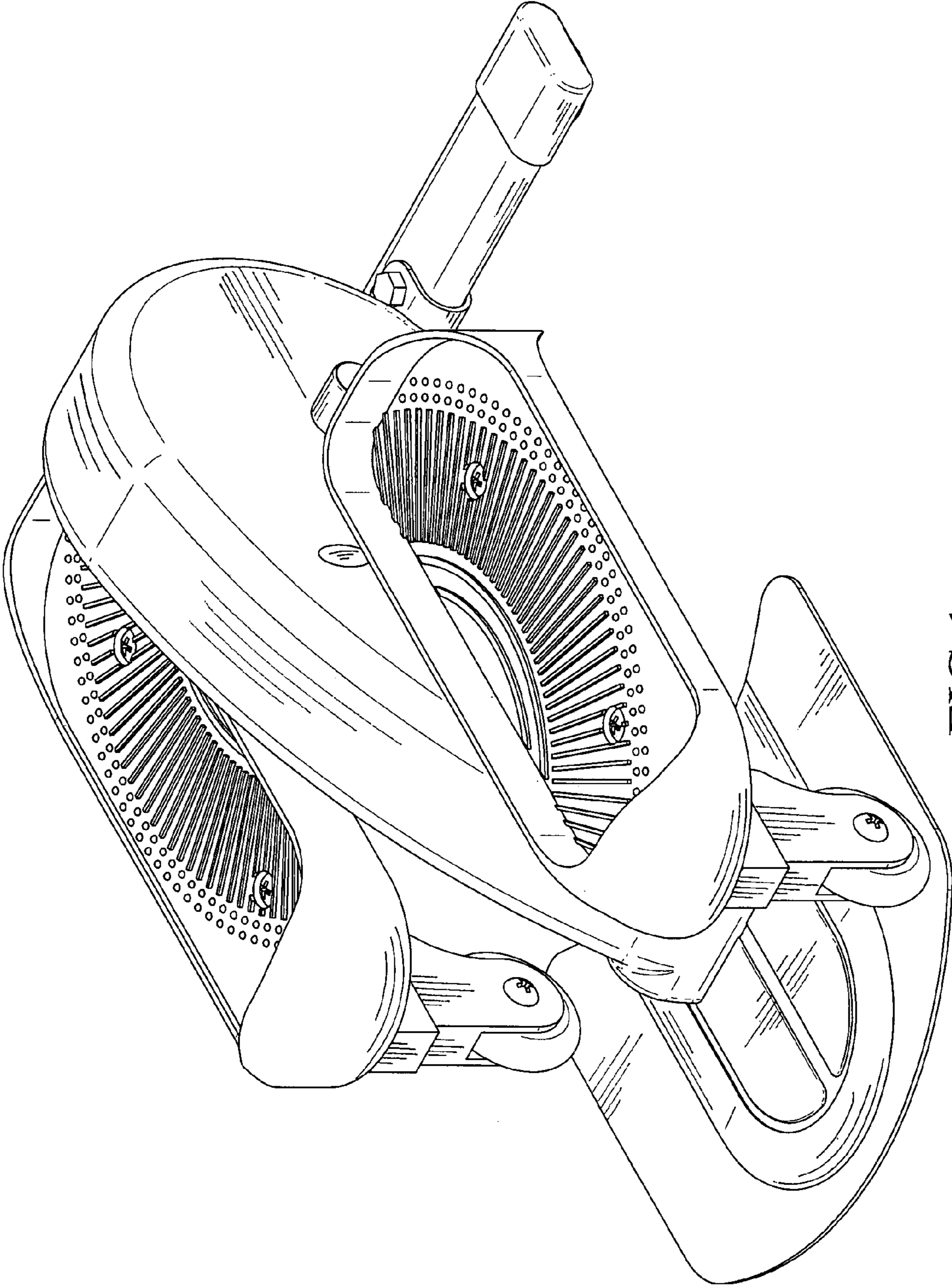


FIG.1

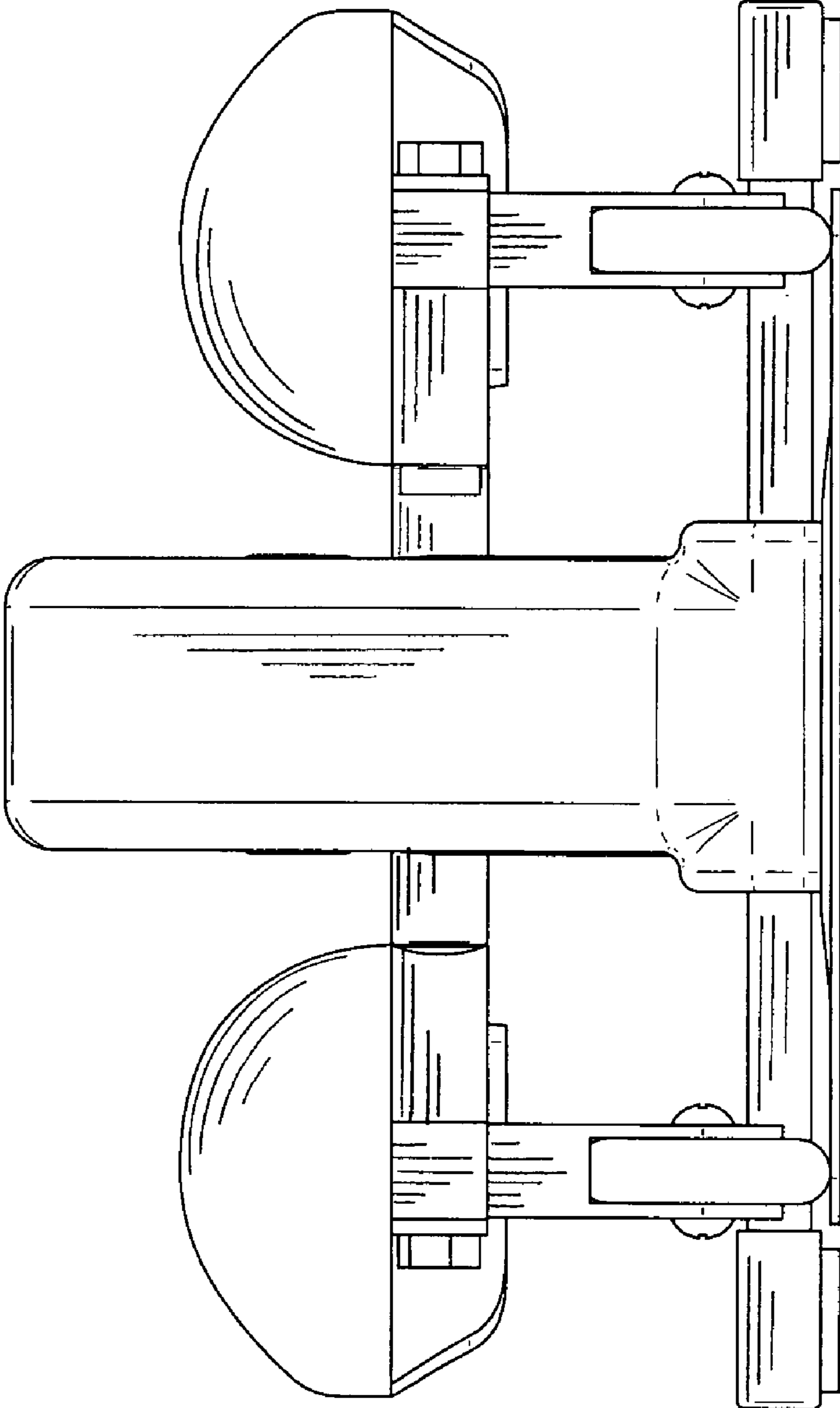


FIG.2

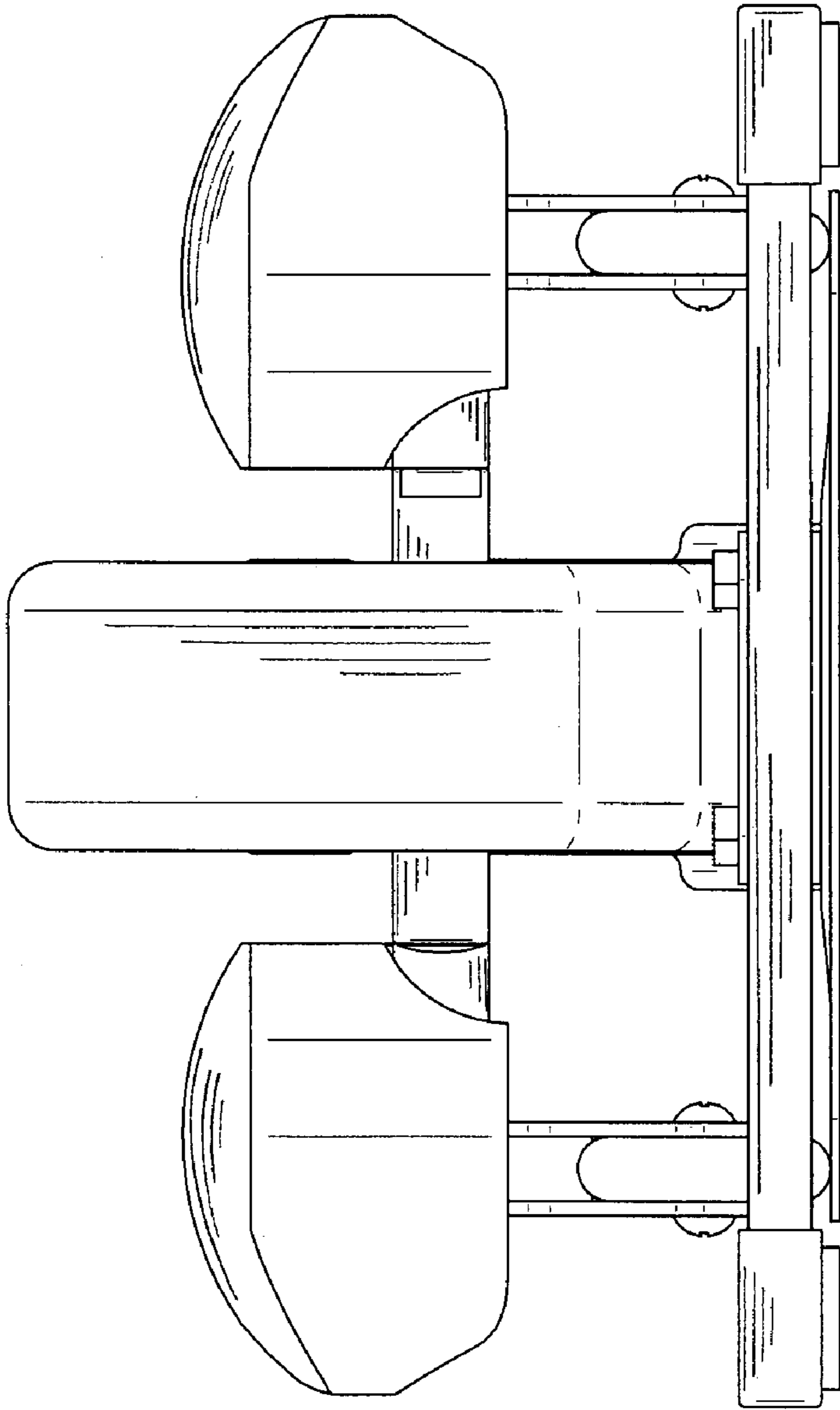


FIG.3

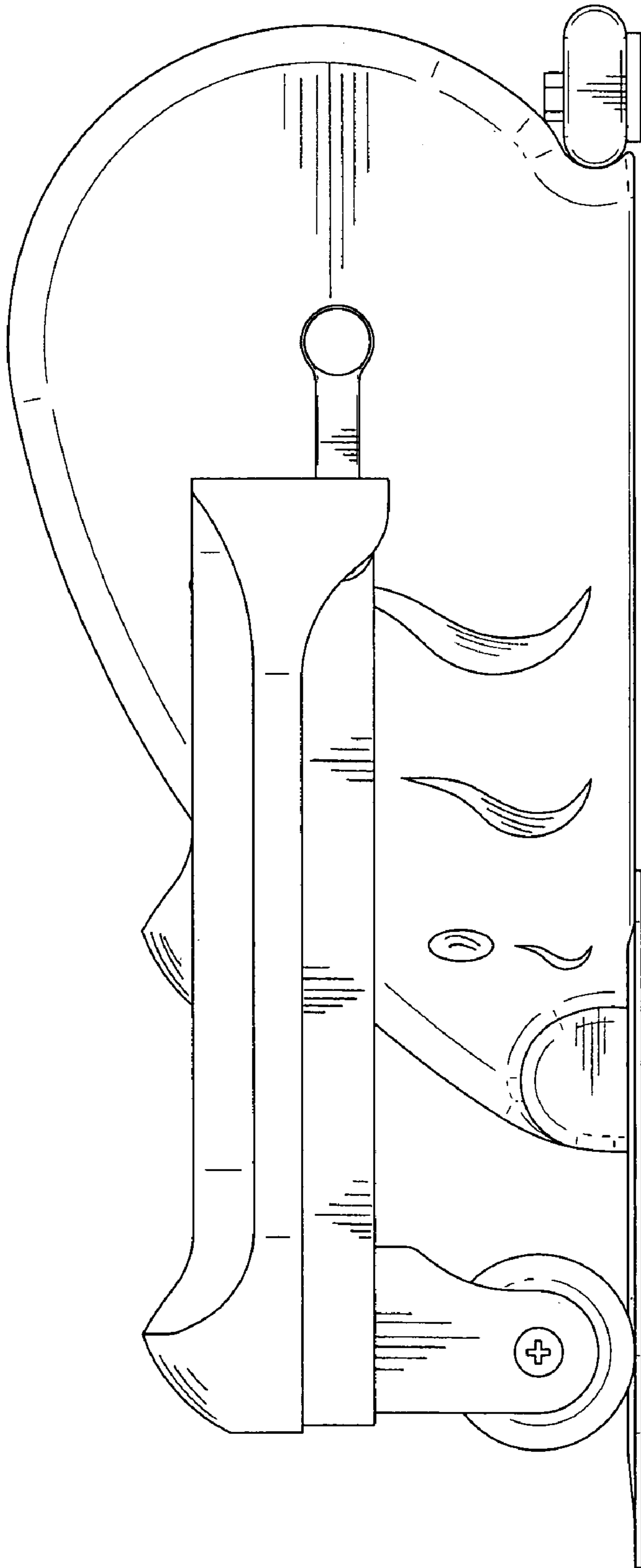


FIG.4

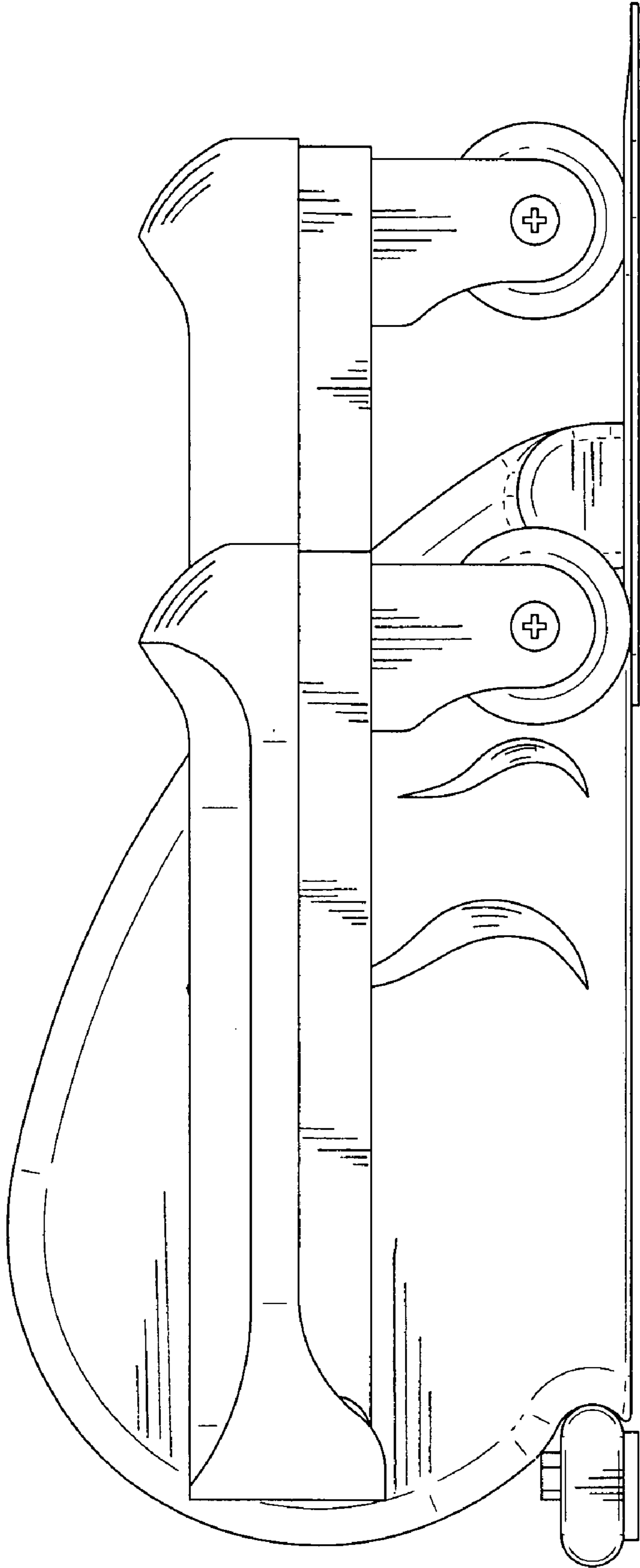


FIG.5

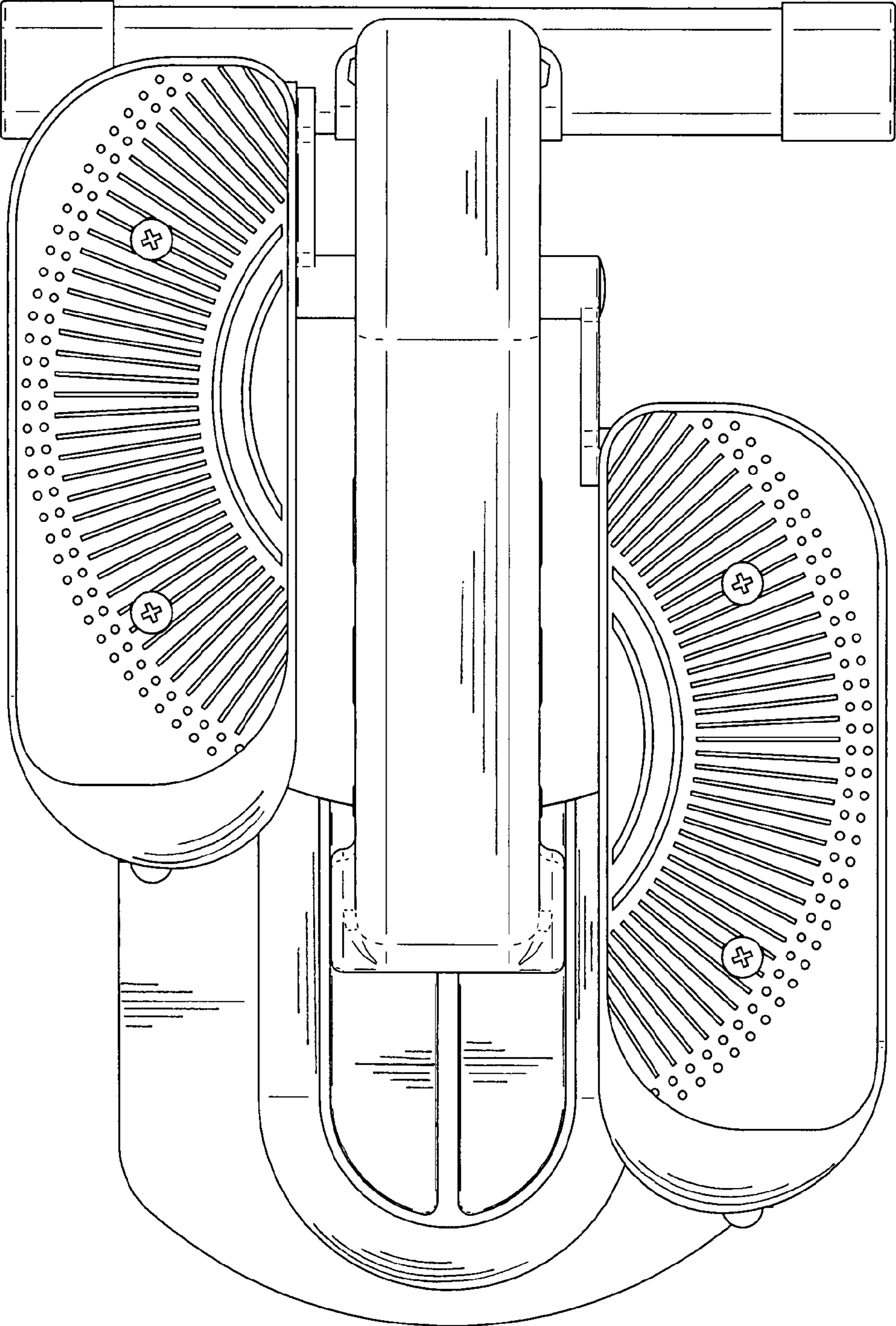


FIG.6

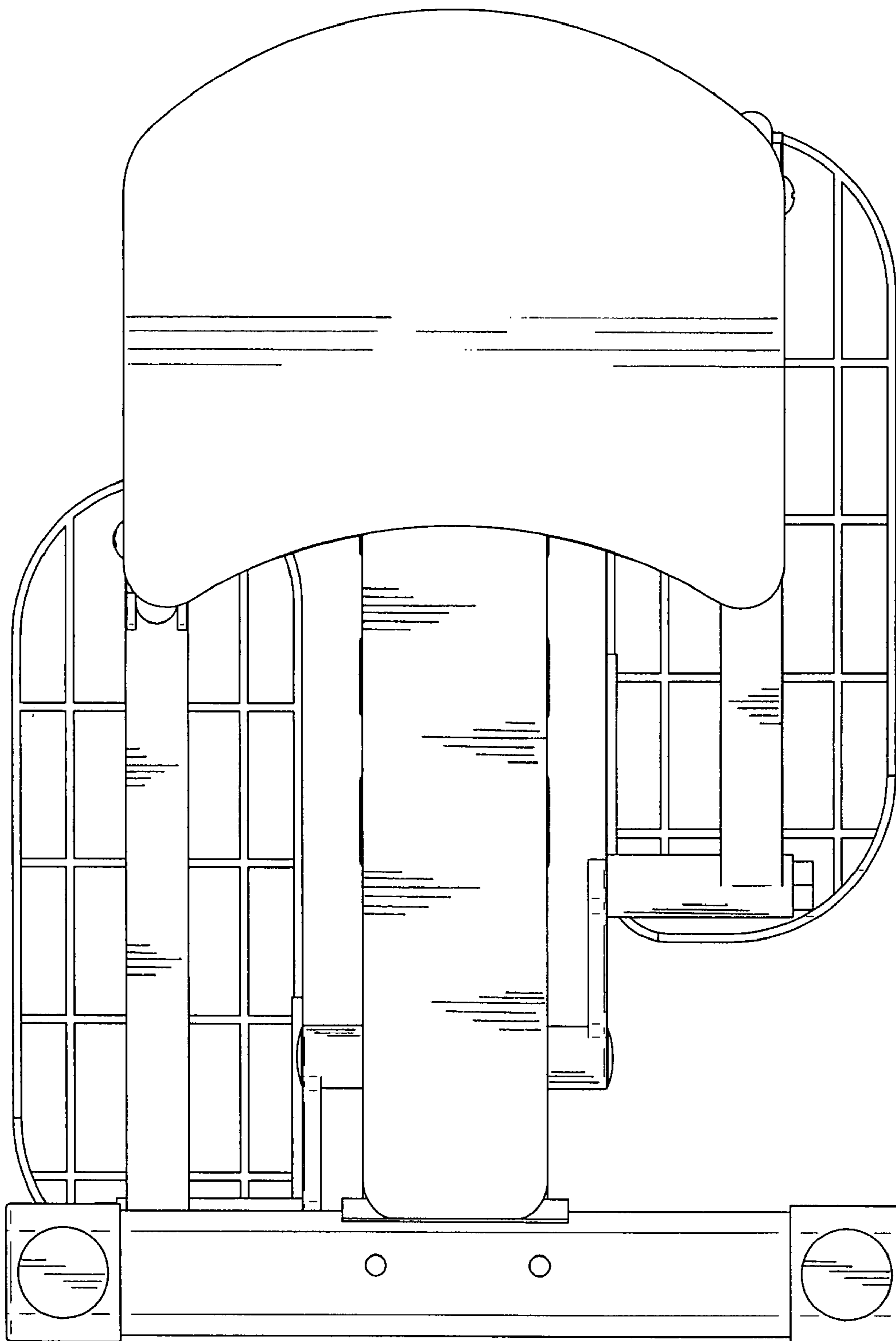


FIG.7

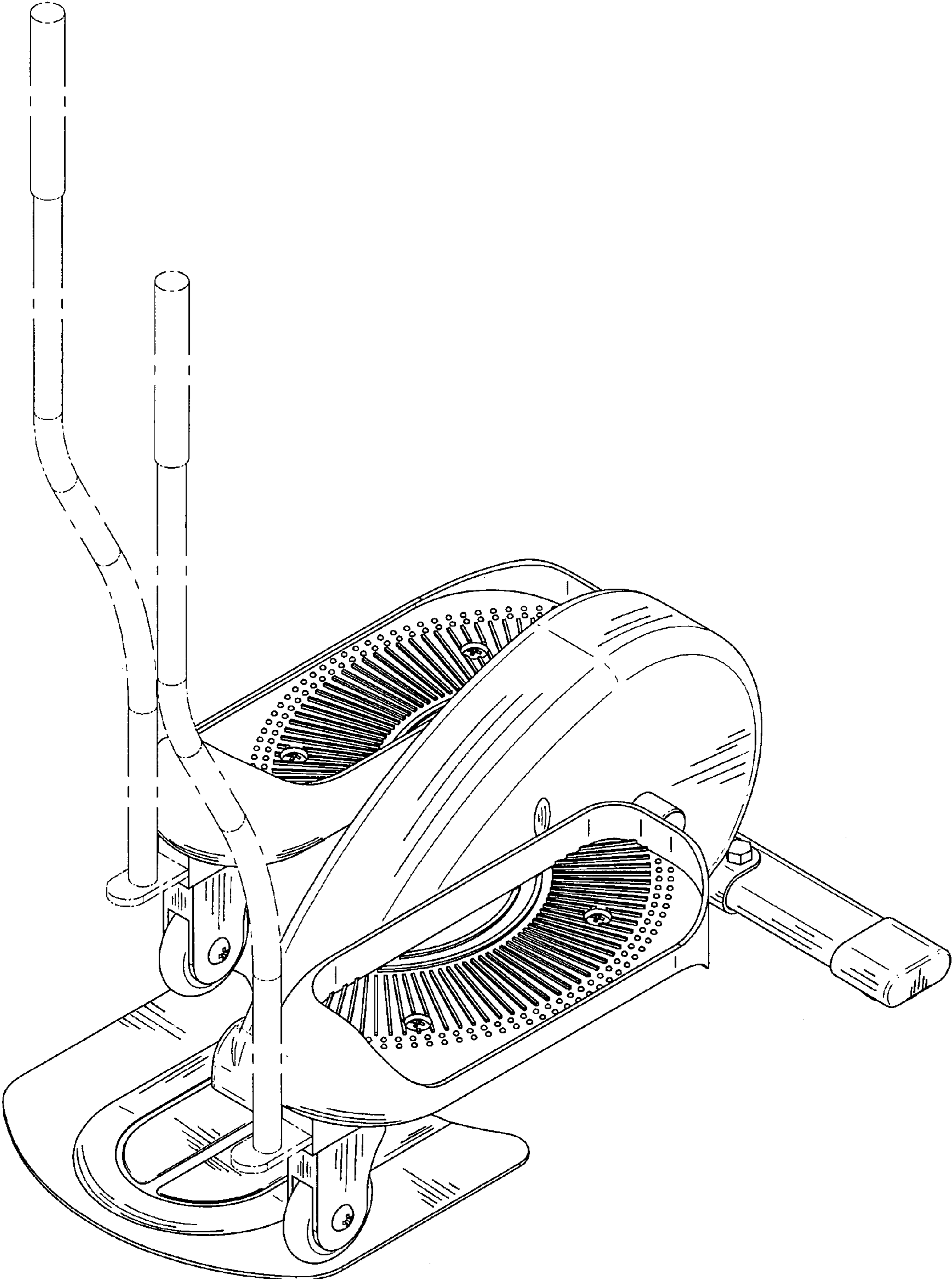


FIG.8

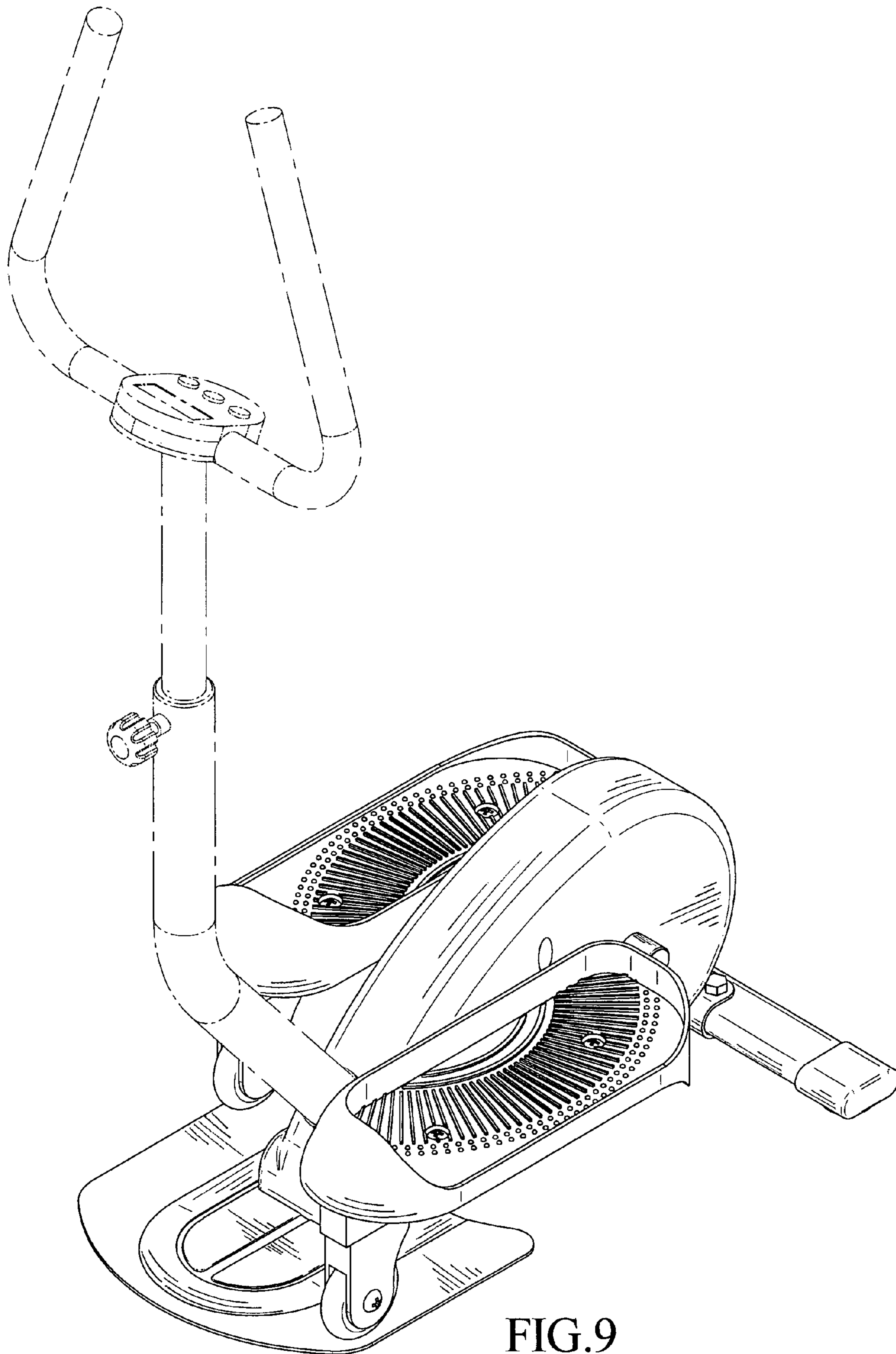


FIG. 9

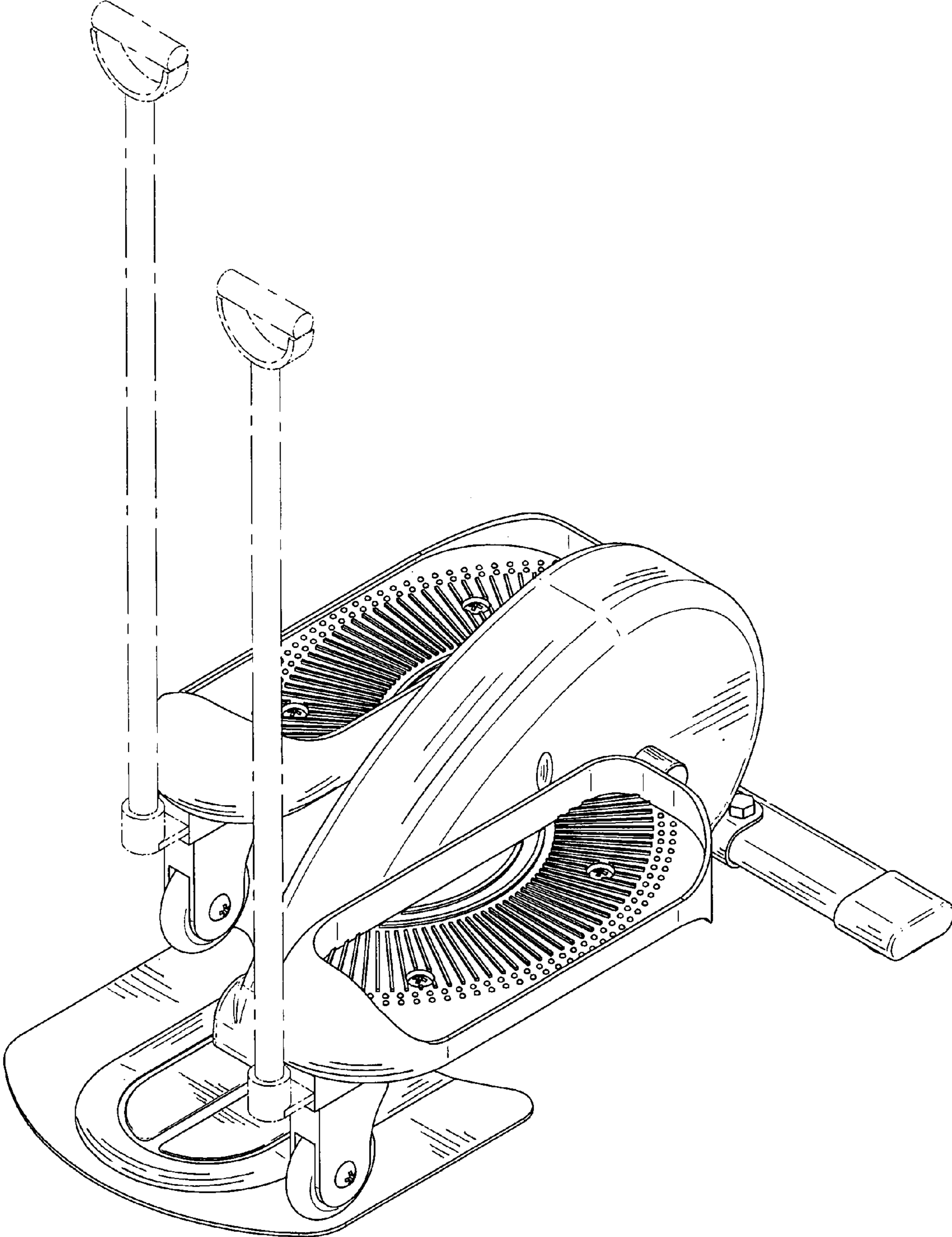


FIG.10