



US00D575835S

(12) **United States Design Patent**
Lin

(10) **Patent No.:** **US D575,835 S**

(45) **Date of Patent:** **** Aug. 26, 2008**

(54) **BALANCE TRAINING DEVICE**

(76) Inventor: **Han-Sung Lin**, Gaoling Village, Huli District, Xiamen, Fujian (CN)

(**) Term: **14 Years**

(21) Appl. No.: **29/287,157**

(22) Filed: **Jul. 5, 2007**

(51) **LOC (8) Cl.** **21-02**

(52) **U.S. Cl.** **D21/662; D21/690**

(58) **Field of Classification Search** D21/416,
D21/429, 662, 672, 673, 674, 686, 690, 828,
D21/832; 472/95, 96; 482/51, 72; 434/247
See application file for complete search history.

(56) **References Cited**

U.S. PATENT DOCUMENTS

- 3,997,979 A * 12/1976 Turner 472/29
- 4,519,787 A * 5/1985 Williams 446/313
- 5,085,425 A * 2/1992 Collins et al. 472/97
- D367,689 S * 3/1996 Wilkinson et al. D21/676
- 5,586,959 A * 12/1996 Adkins et al. 482/96
- D387,825 S * 12/1997 Fleck et al. D21/667

- D507,312 S * 7/2005 Nishiyama et al. D21/690
- D512,755 S * 12/2005 Nishiyama et al. D21/690
- D532,828 S * 11/2006 Muramatsu D21/690

* cited by examiner

Primary Examiner—Philip S Hyder

(74) *Attorney, Agent, or Firm*—Rosenberg, Klein & Lee

(57) **CLAIM**

The ornamental design for a balance training device, as shown and described.

DESCRIPTION

FIG. 1 is a rear-left-top perspective view of an balance training device showing my new design;

FIG. 2 is a front elevational view thereof;

FIG. 3 is a rear elevational view thereof, and

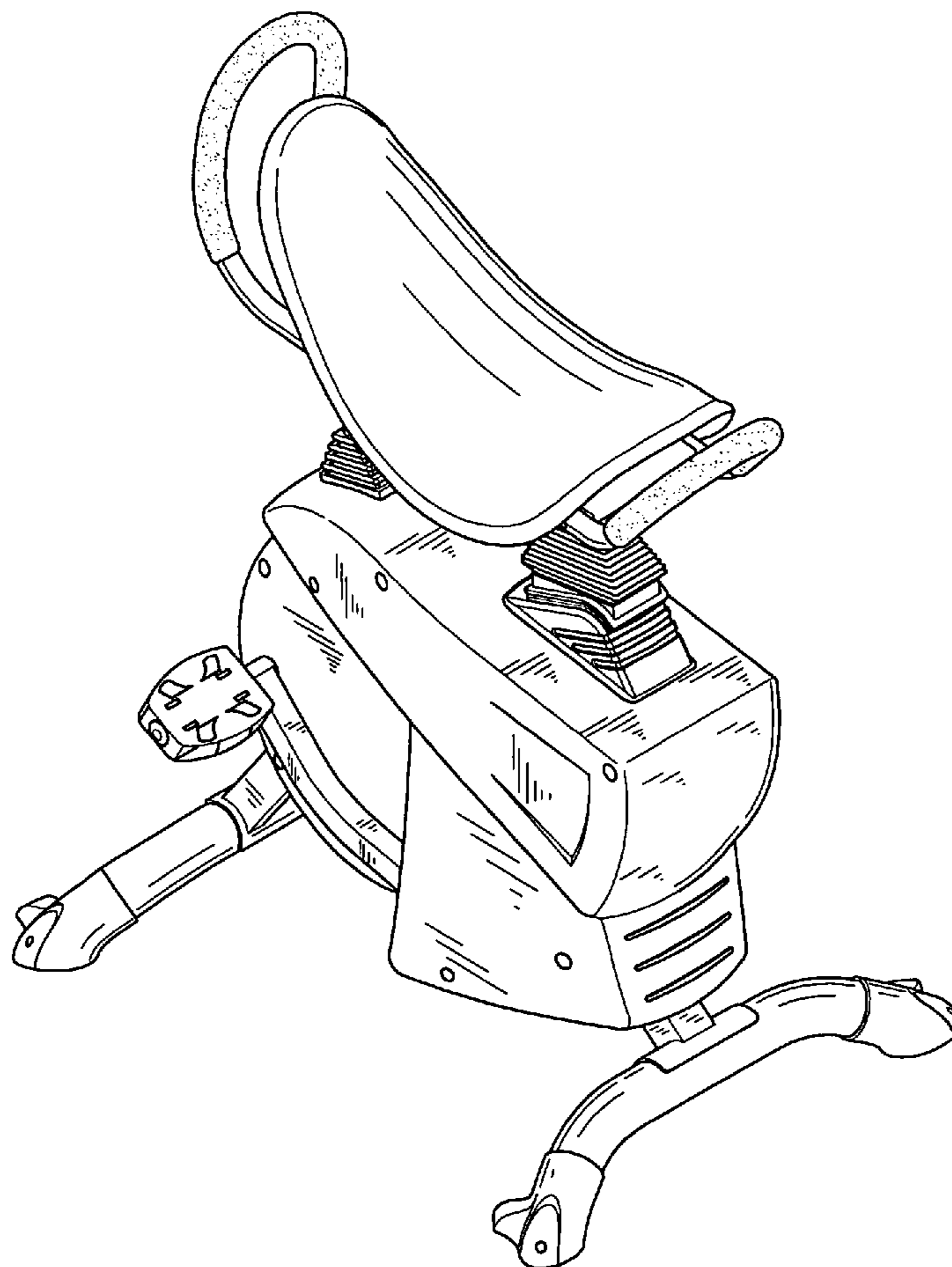
FIG. 4 is a left side elevational view thereof,

FIG. 5 is a right side elevational view thereof,

FIG. 6 is a top plan view thereof; and,

FIG. 7 is a bottom plan view thereof.

1 Claim, 7 Drawing Sheets



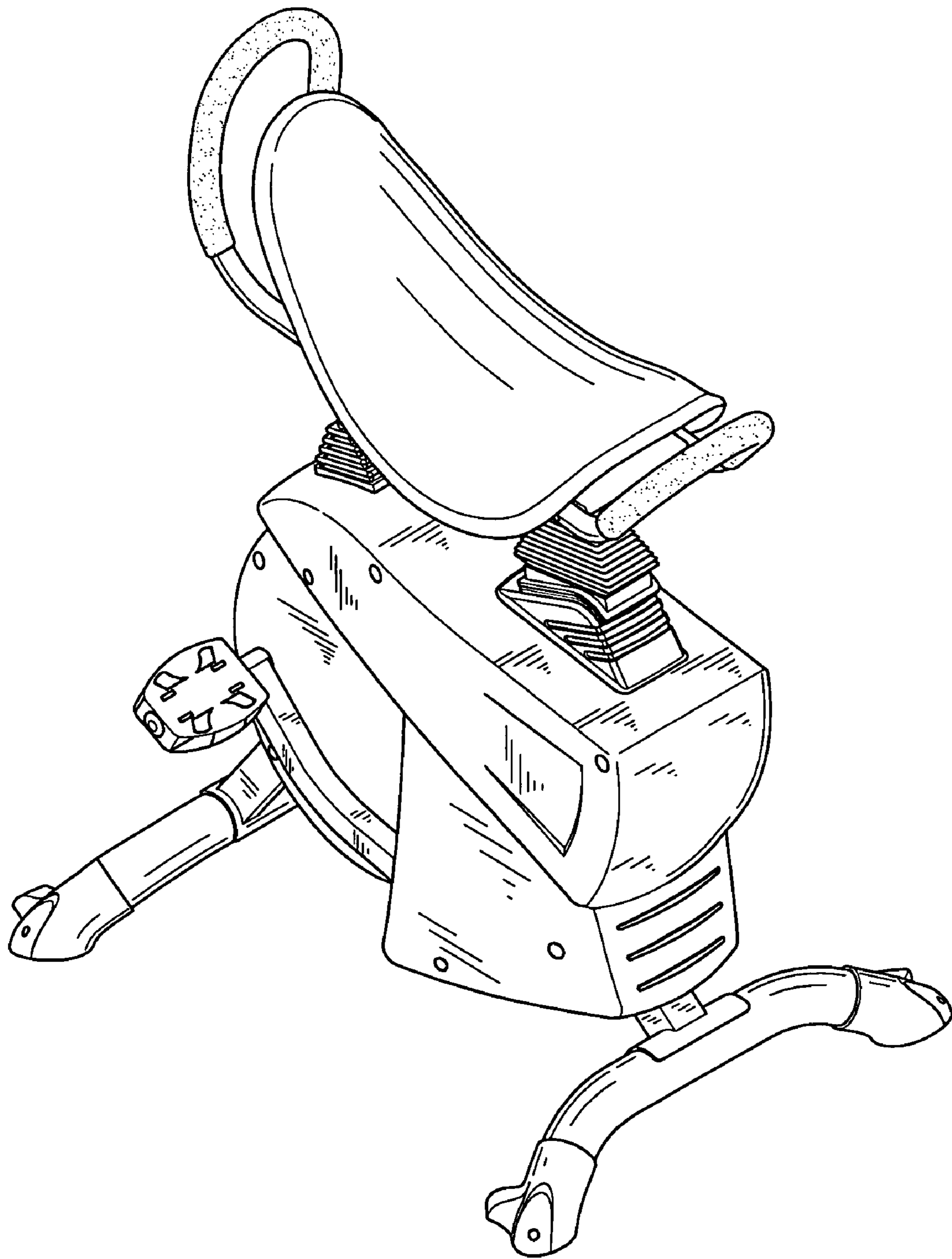


FIG. 1

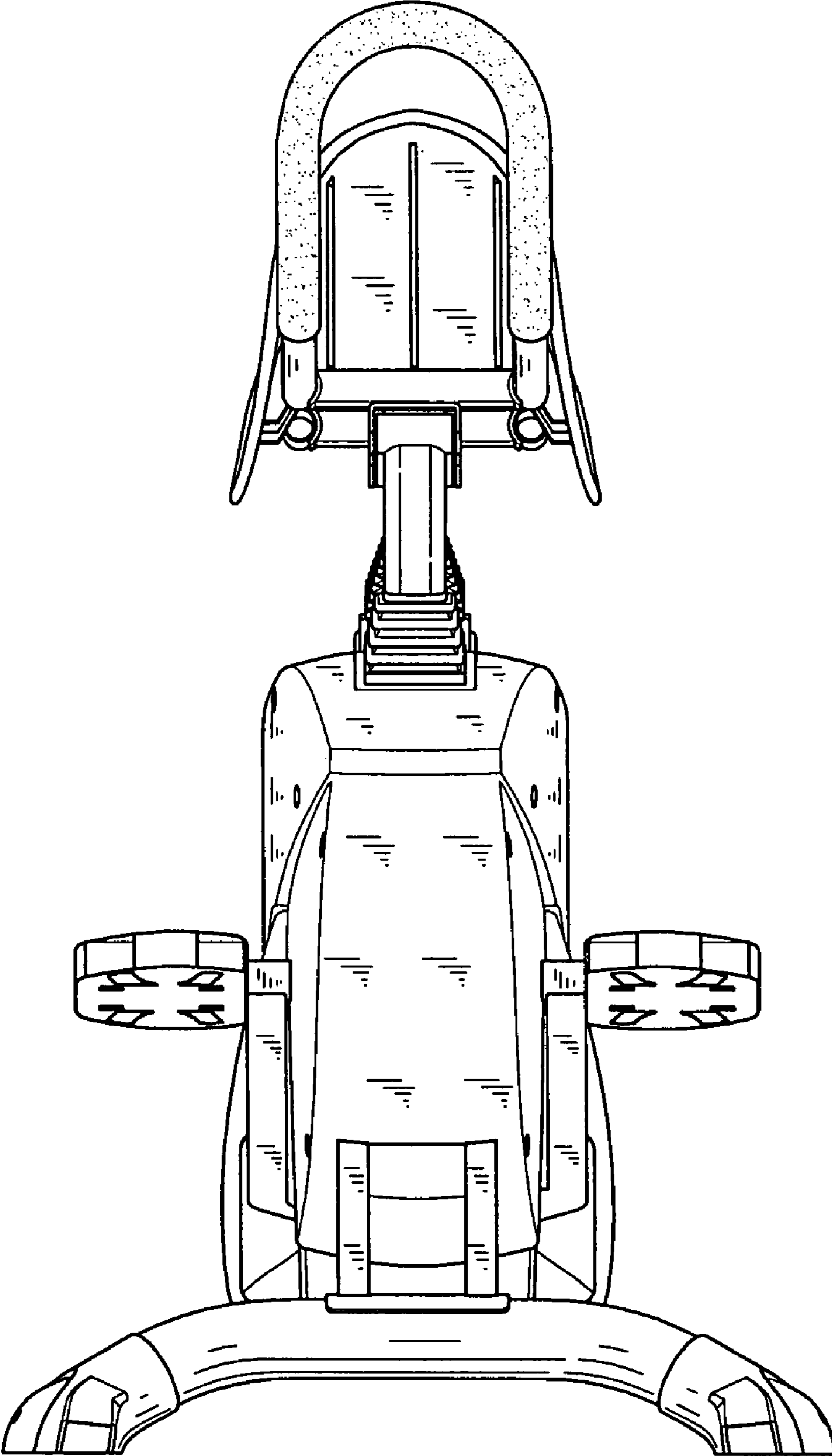


FIG. 2

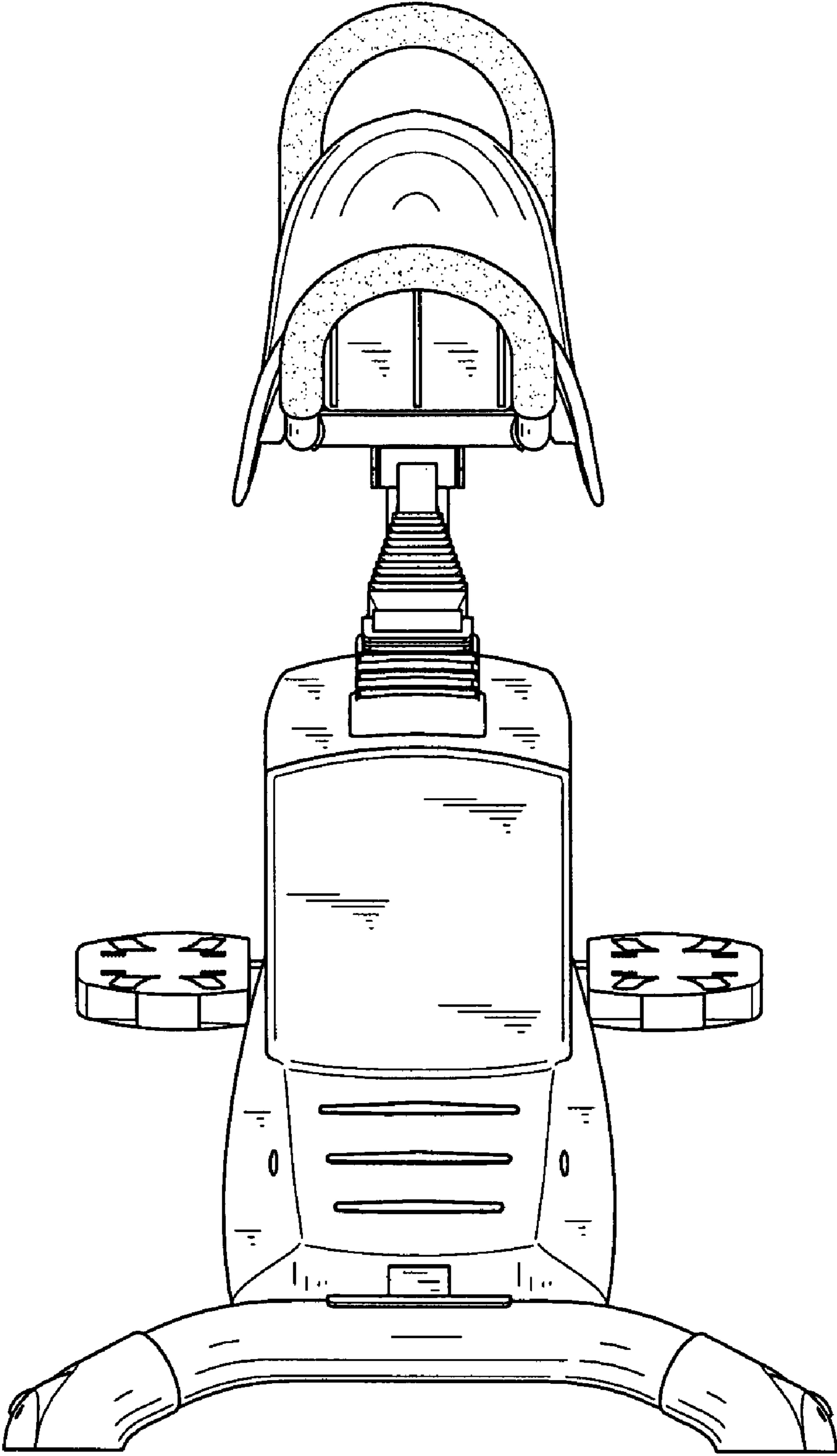


FIG. 3

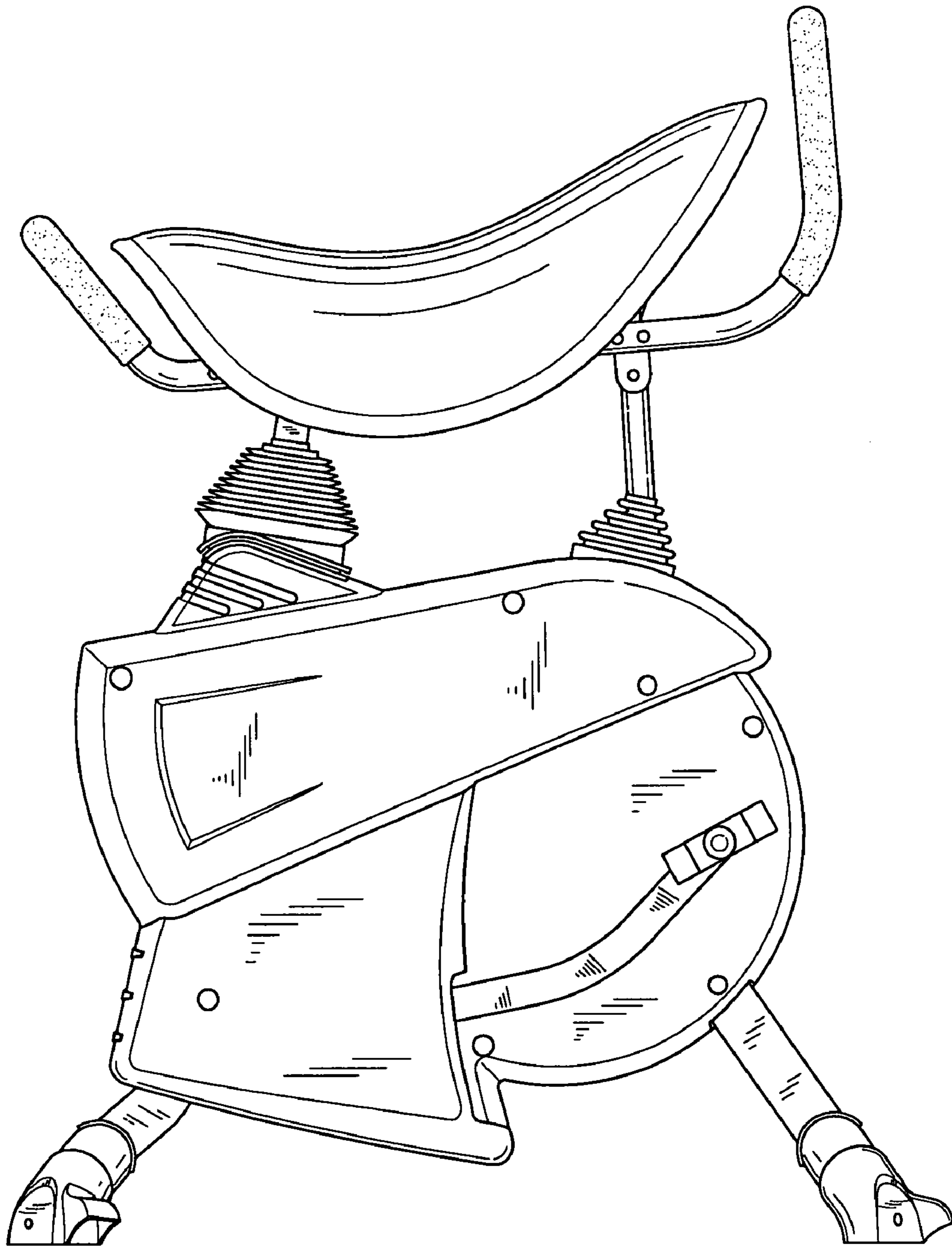


FIG. 4

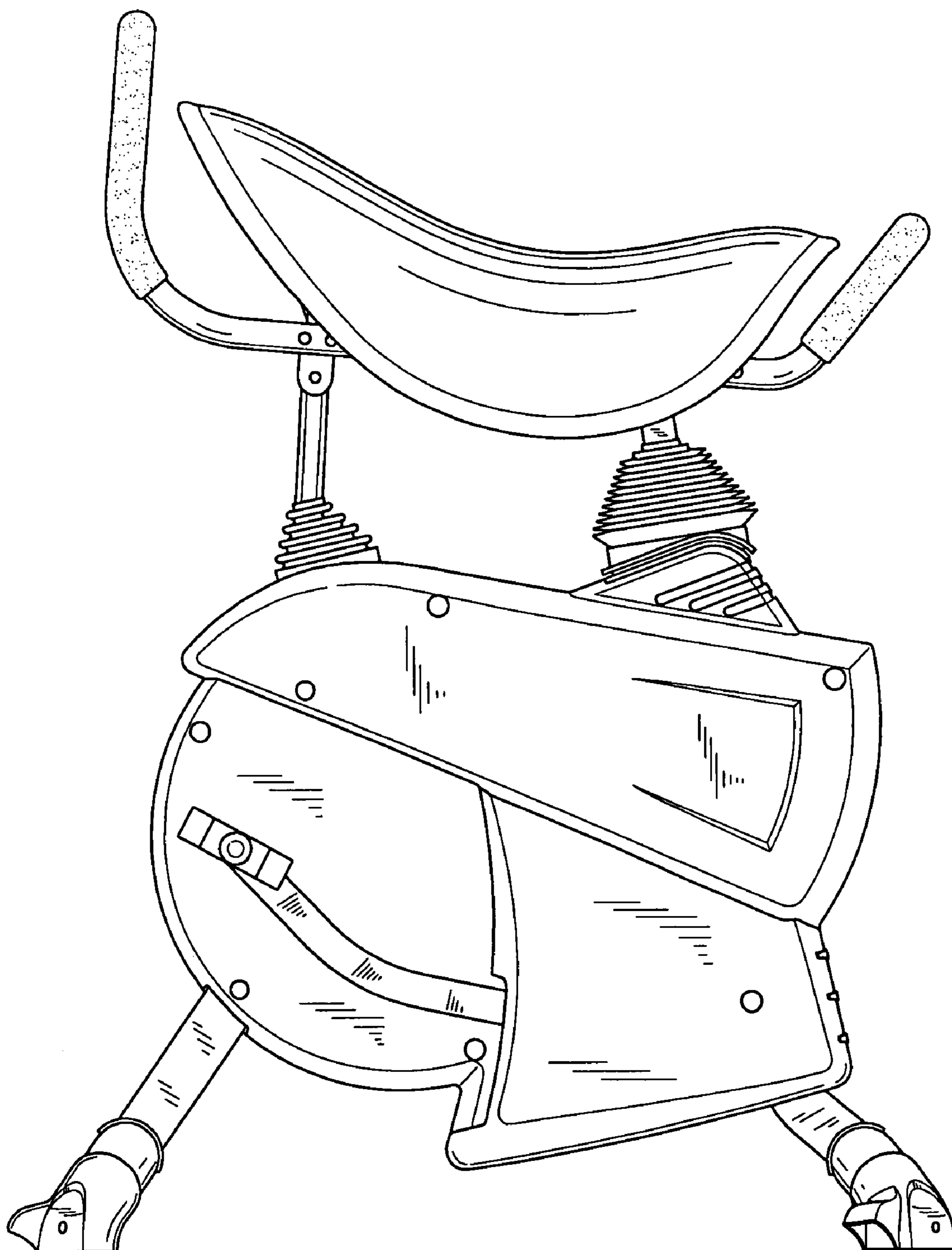


FIG. 5

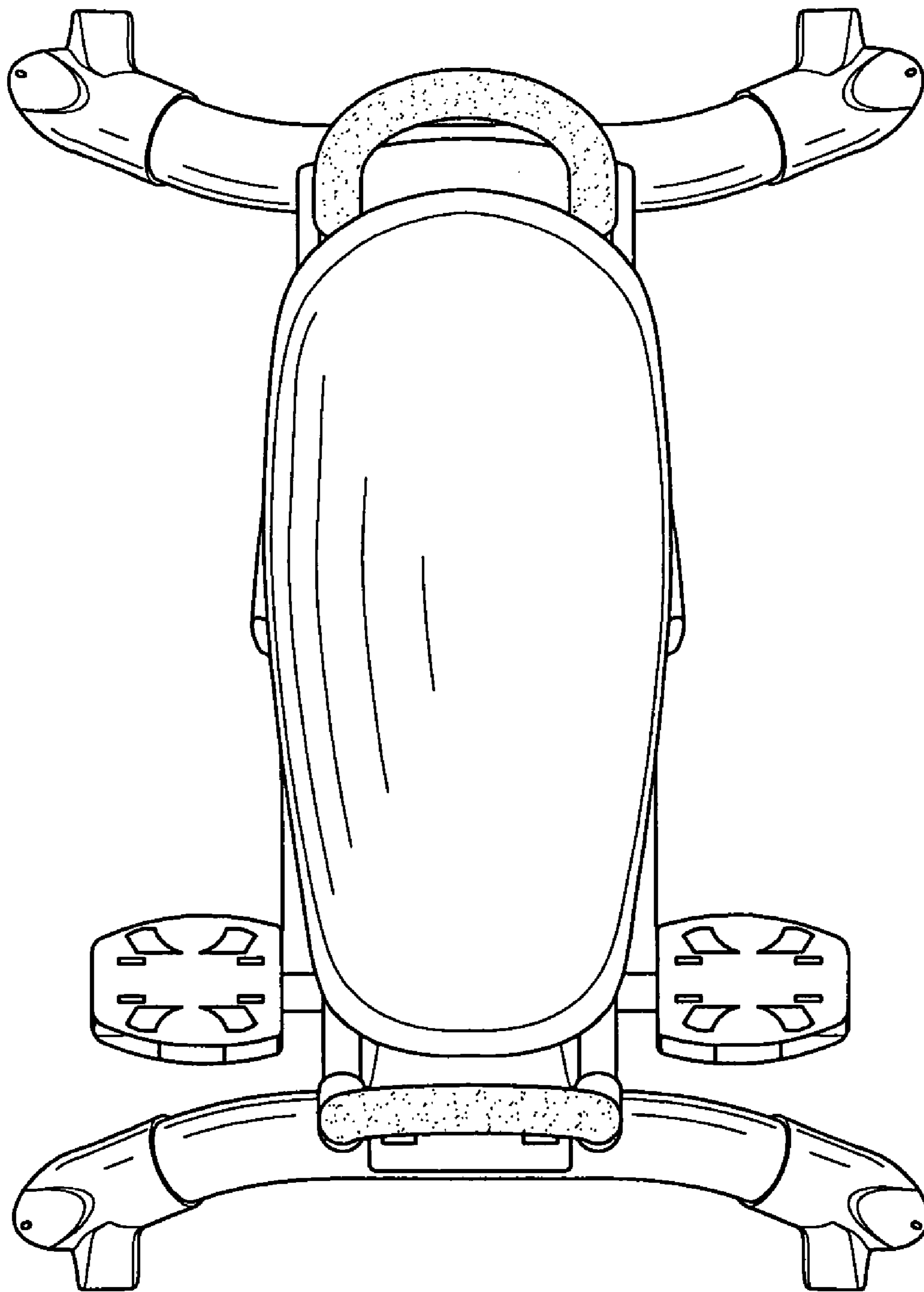


FIG. 6

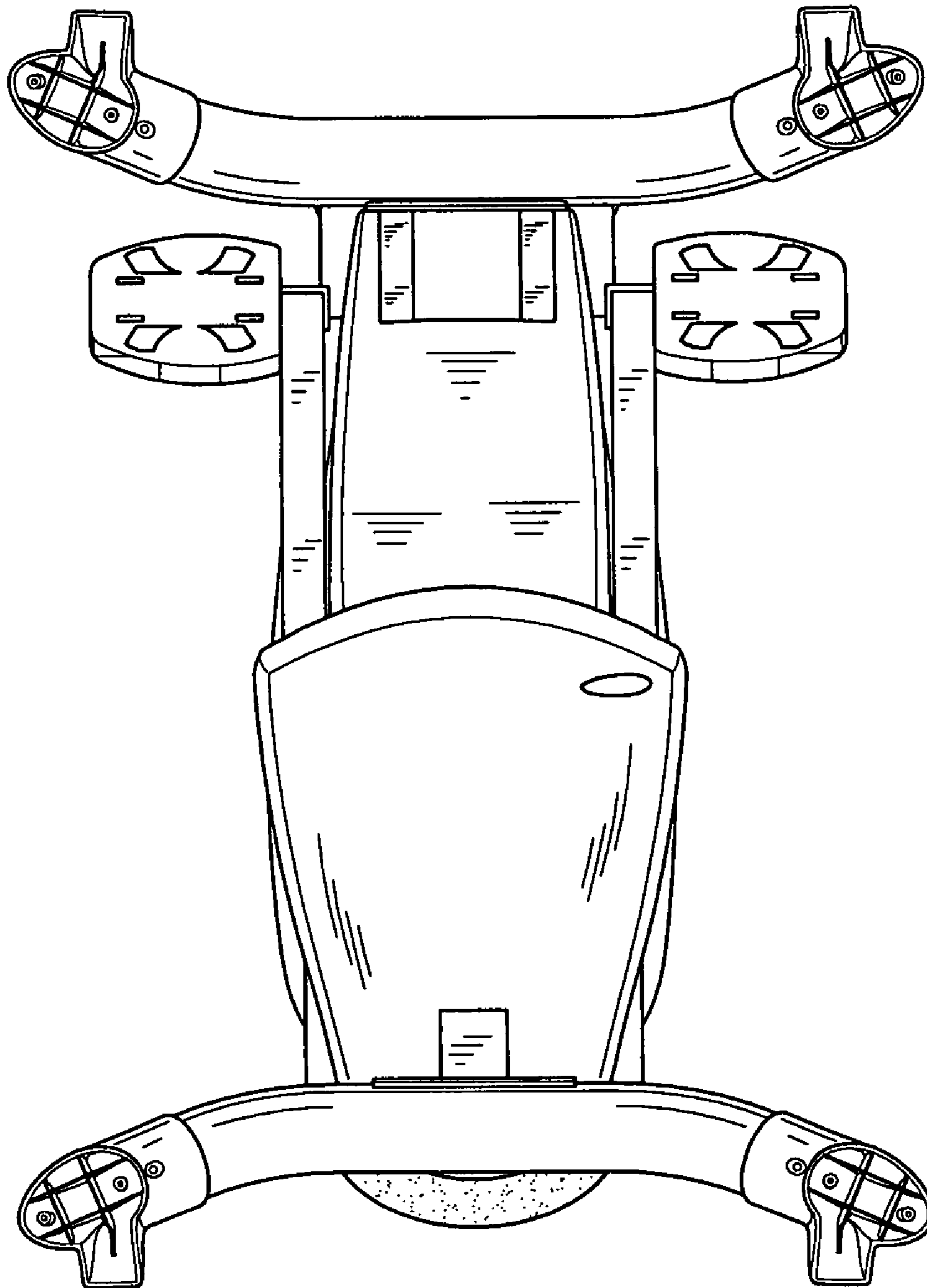


FIG. 7