



US00D575832S

(12) **United States Design Patent**
Tremblay et al.

(10) **Patent No.:** **US D575,832 S**
(45) **Date of Patent:** **** Aug. 26, 2008**

(54) **MAGNETIC TOY CONSTRUCTION
ELEMENT**

D409,668 S * 5/1999 Madner D21/484
6,558,065 B2 * 5/2003 Huang 403/170
D478,361 S * 8/2003 Hyde D21/505
D502,746 S * 3/2005 Balanchi D21/489

(75) Inventors: **Daniel Tremblay**, Montreal (CA);
Andreeanne Lavoie, Montreal (CA);
Pascal Messier, Deux-Montagnes (CA);
Louis-Rene Auclair, Montreal (CA);
Daniel Bourgeois, Rosemere (CA)

* cited by examiner

Primary Examiner—Holly H Baynham

Assistant Examiner—Cynthia M Chin

(73) Assignee: **MEGA Brands International S.A.R.L.**,
Luxembourg (CH)

(74) *Attorney, Agent, or Firm*—Michael Bednarek; Paul,
Hastings, Janofsky & Walker LLP

(**) Term: **14 Years**

(57) **CLAIM**

(21) Appl. No.: **29/299,213**

We claim the ornamental design for a magnetic toy construction element, as shown and described.

(22) Filed: **Dec. 20, 2007**

DESCRIPTION

(51) **LOC (8) Cl.** **21-01**

FIG. 1 is a front perspective view of the magnetic toy vehicle;

(52) **U.S. Cl.** **D21/502; D21/505**

FIG. 2 is a front elevational view thereof;

(58) **Field of Classification Search** D21/286,

FIG. 3 is a rear elevational view thereof;

D21/290, 404, 484–505; 446/69, 85, 92,
446/102–128, 129, 132, 137, 138; 434/259;
273/153, 156; D8/382; 403/170, 180, 181

FIG. 4 is a left side elevational view thereof;

See application file for complete search history.

FIG. 5 is a right side elevational view thereof;

FIG. 6 is a top plan view thereof; and,

FIG. 7 is a bottom plan view thereof.

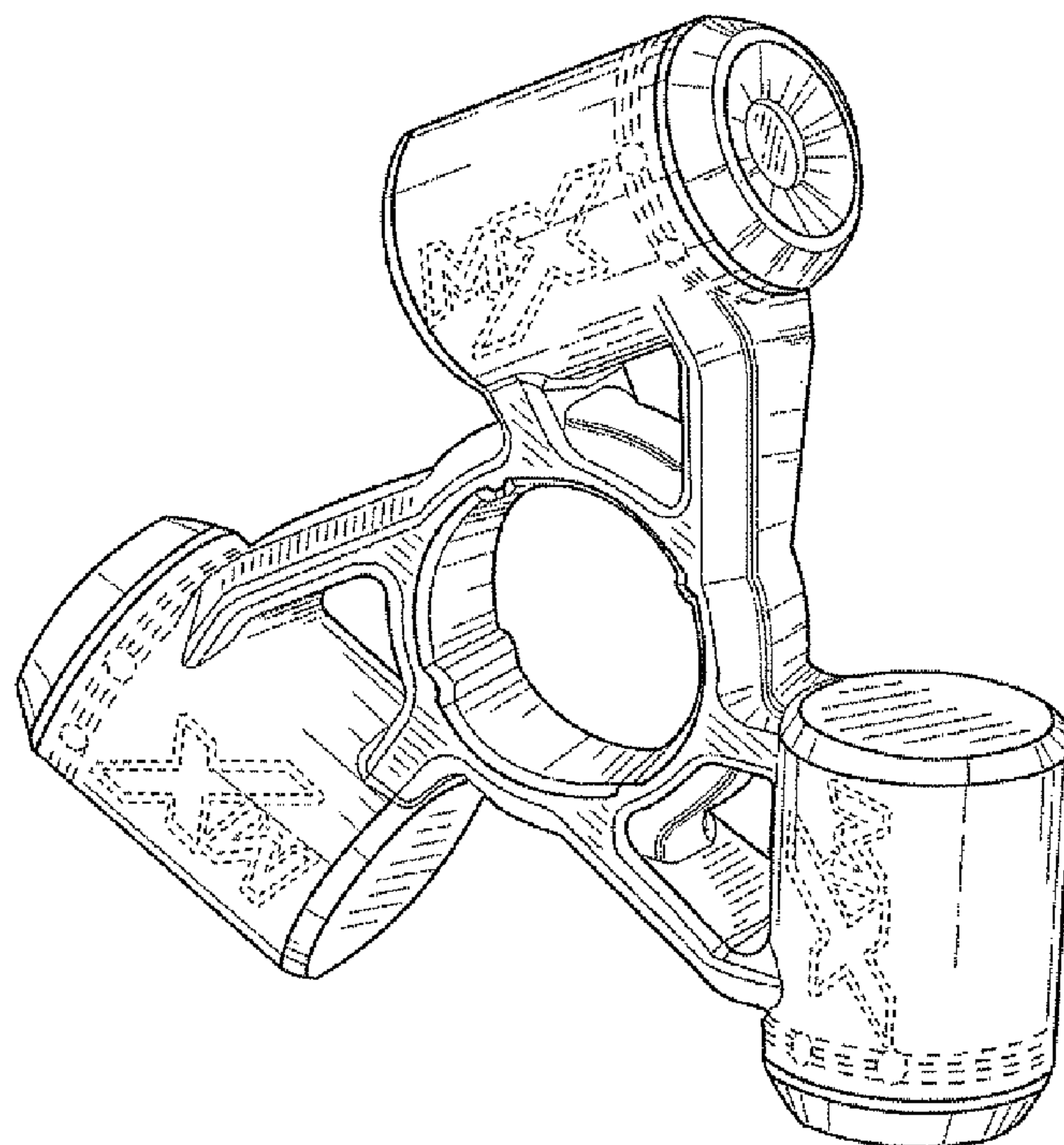
(56) **References Cited**

The broken or dashed lines included in the figures depict environment, are for illustrative purposes only, and are not part of the claimed design. The shading illustrated in the figures is provided merely to represent the contour of the design and is not intended to be illustrative of texture, gloss, or surface decoration.

U.S. PATENT DOCUMENTS

2,776,521 A * 1/1957 Zimmerman 446/115
D234,791 S * 4/1975 McAllister D21/489
D313,436 S * 1/1991 Erickson D21/489
D387,656 S * 12/1997 Liang D21/505
D400,603 S * 11/1998 Glickman et al. D21/484
D400,606 S * 11/1998 Glickman et al. D21/484

1 Claim, 5 Drawing Sheets



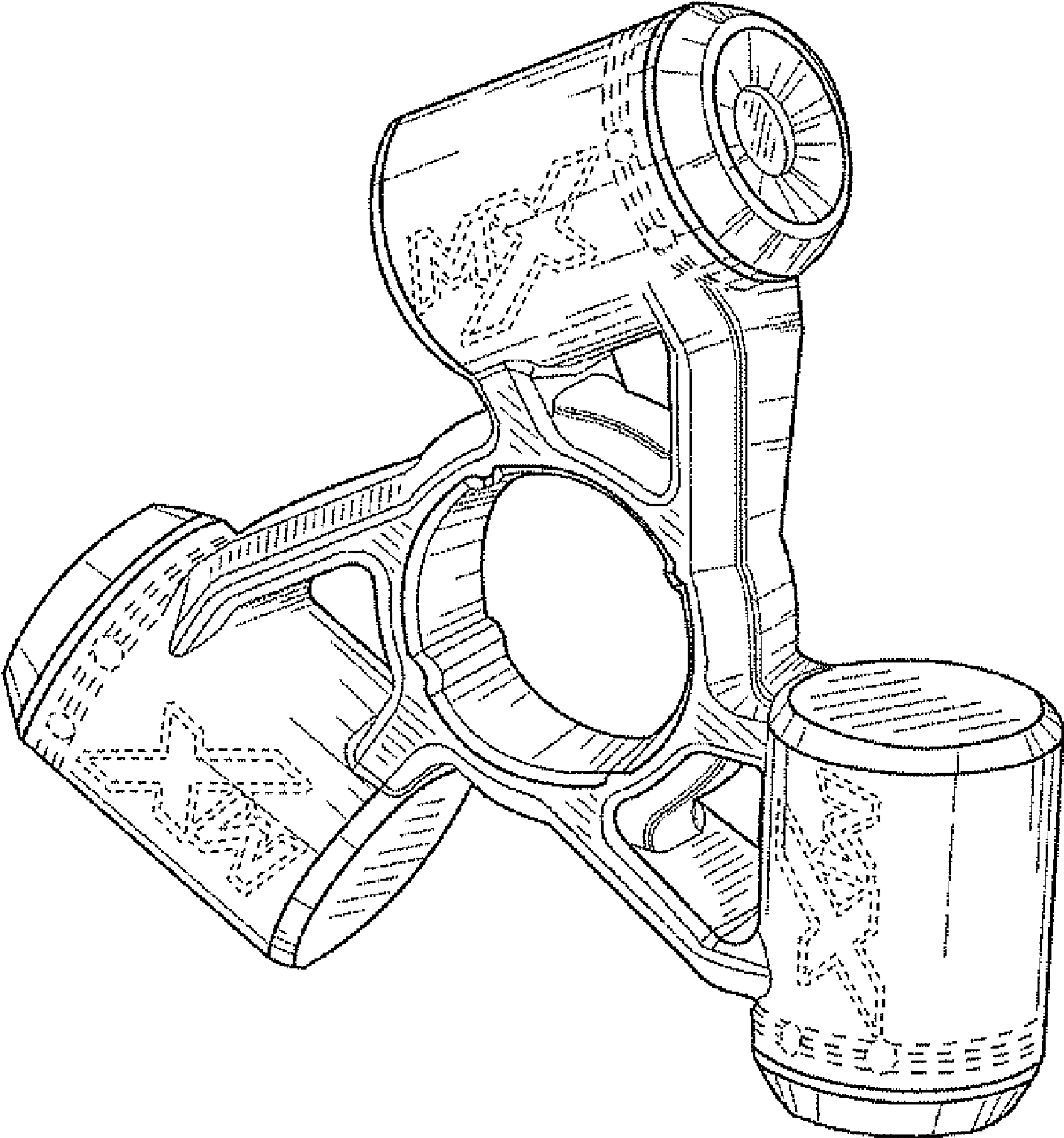


FIG. 1

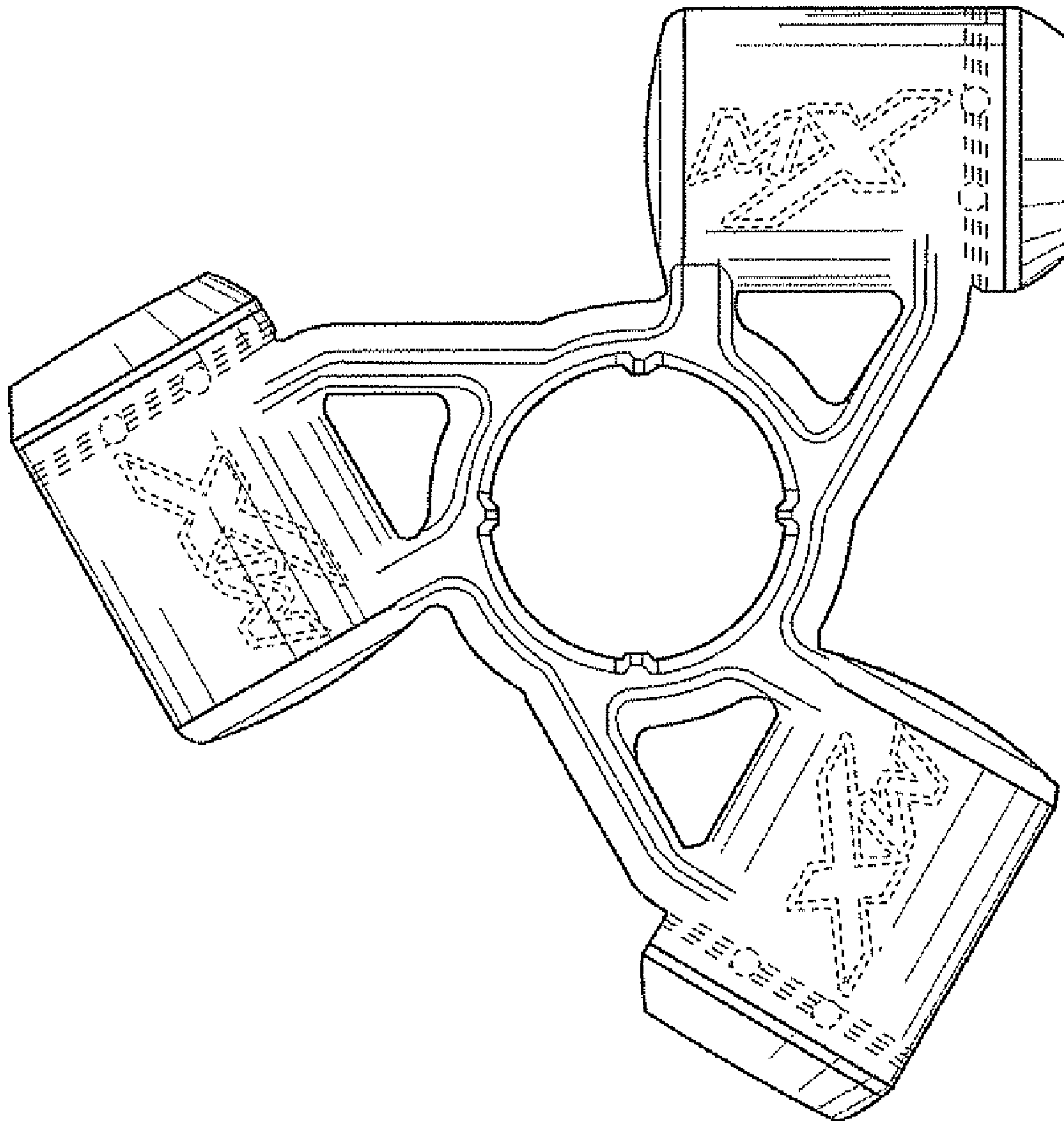


FIG. 2

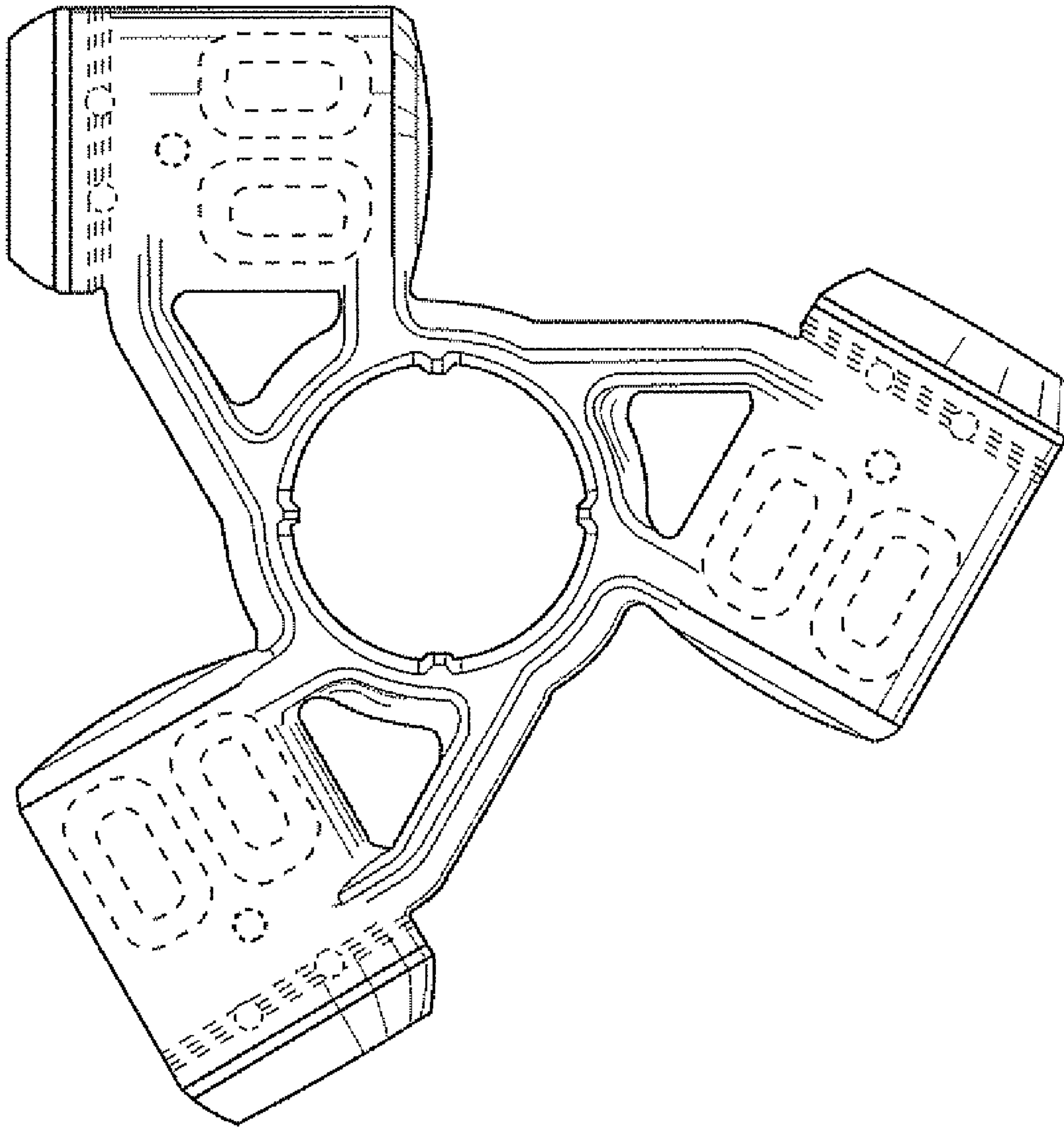


FIG. 3

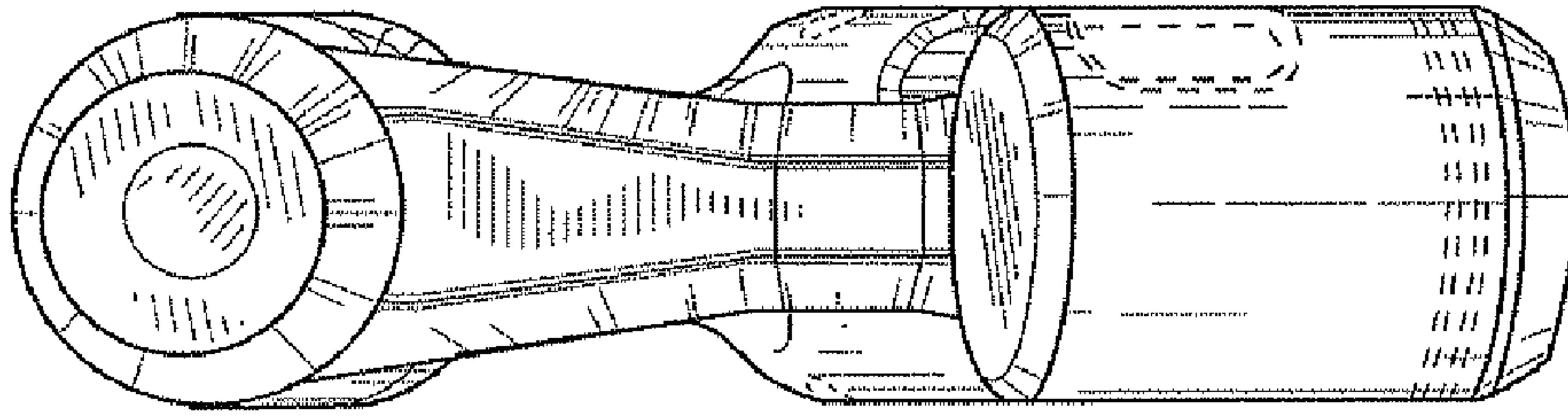


FIG. 5

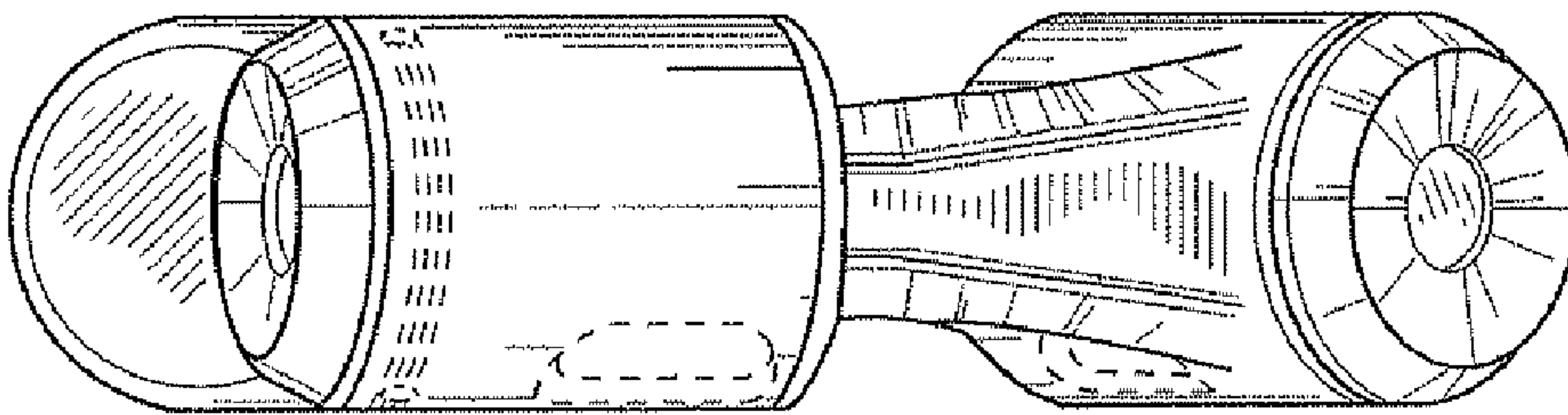


FIG. 4

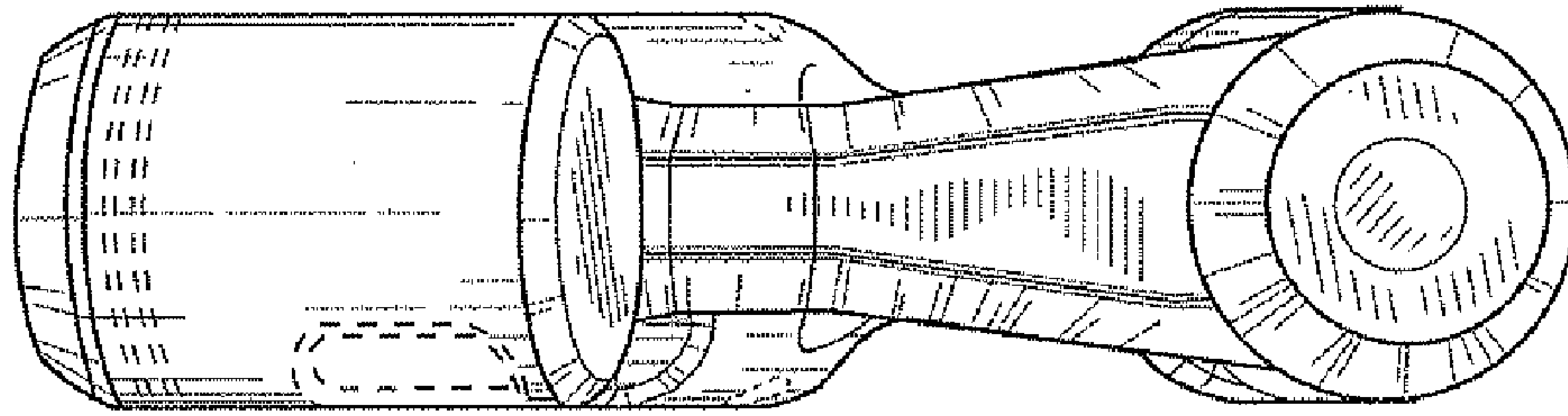


FIG. 7

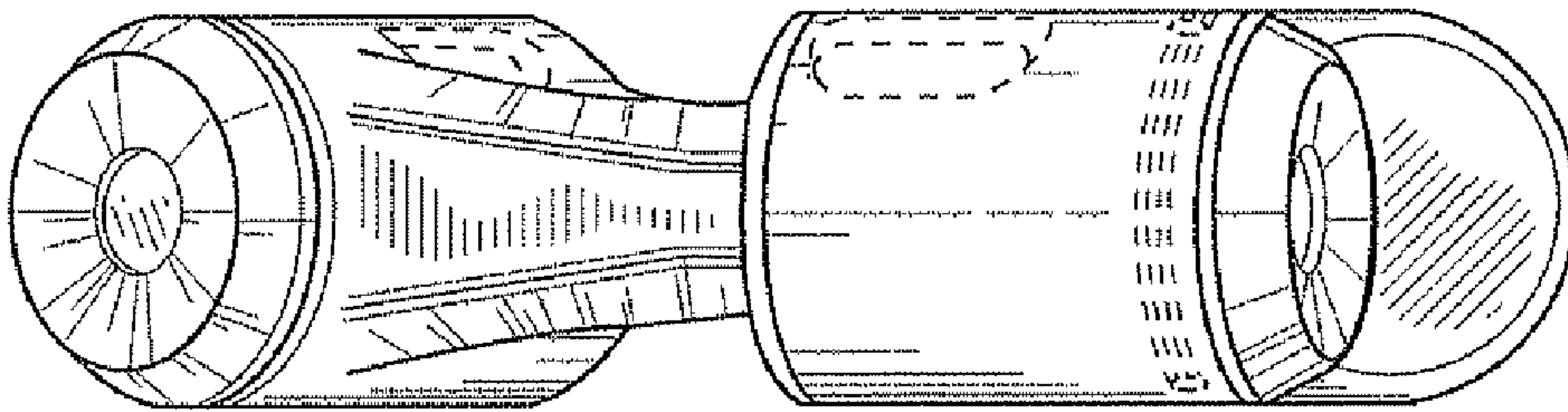


FIG. 6