



US00D575831S

(12) **United States Design Patent**
Narus et al.

(10) **Patent No.:** **US D575,831 S**

(45) **Date of Patent:** **** Aug. 26, 2008**

(54) **BANKED AIR HOCKEY TABLE**

(75) Inventors: **Michael H. Narus**, Hartford, WI (US);
Justin L. Voden, Eagle, WI (US)

(73) Assignee: **Triumph Sports USA**, Eagle, WI (US)

(**) Term: **14 Years**

(21) Appl. No.: **29/249,779**

(22) Filed: **Oct. 20, 2006**

(51) **LOC (8) Cl.** **21-01**

(52) **U.S. Cl.** **D21/318**

(58) **Field of Classification Search** D21/312,
D21/314, 318, 322, 324, 328, 333-339; 273/108,
273/108.1, 118 R, 236, 259, 277, 138.2, 454,
273/126 R, 126 A, 148 R

See application file for complete search history.

(56) **References Cited**

U.S. PATENT DOCUMENTS

D245,718 S * 9/1977 Maloney, II D21/318
D303,684 S * 9/1989 Matsumoto et al. D21/318
4,872,679 A * 10/1989 Bohaski et al. 273/317.5
5,755,439 A * 5/1998 Turner 273/126 R
D400,951 S * 11/1998 Nally et al. D21/397

6,109,607 A * 8/2000 Cartwright et al. 273/108.1
6,276,682 B1 * 8/2001 Yamashita et al. 273/126 A
6,345,820 B1 * 2/2002 Zucchi et al. 273/148 R
6,773,010 B2 * 8/2004 Zucchi et al. 273/108.1
D500,530 S * 1/2005 Zucchi et al. D21/397
7,004,465 B2 * 2/2006 Keith 273/108
7,108,262 B2 * 9/2006 Giegerich 273/108
7,219,891 B2 * 5/2007 Giegerich et al. 273/108

* cited by examiner

Primary Examiner—Prabhakar Deshmukh

(74) *Attorney, Agent, or Firm*—Ziolkowski Patent Solutions Group, SC

(57) **CLAIM**

The ornamental design of a banked air hockey table, as shown and described.

DESCRIPTION

FIG. 1 is a top perspective view of a banked air hockey table showing our new design; and,

FIG. 2 is a top plan view thereof.

The broken lines are for illustrative purpose only and form no part of the claimed design.

1 Claim, 2 Drawing Sheets

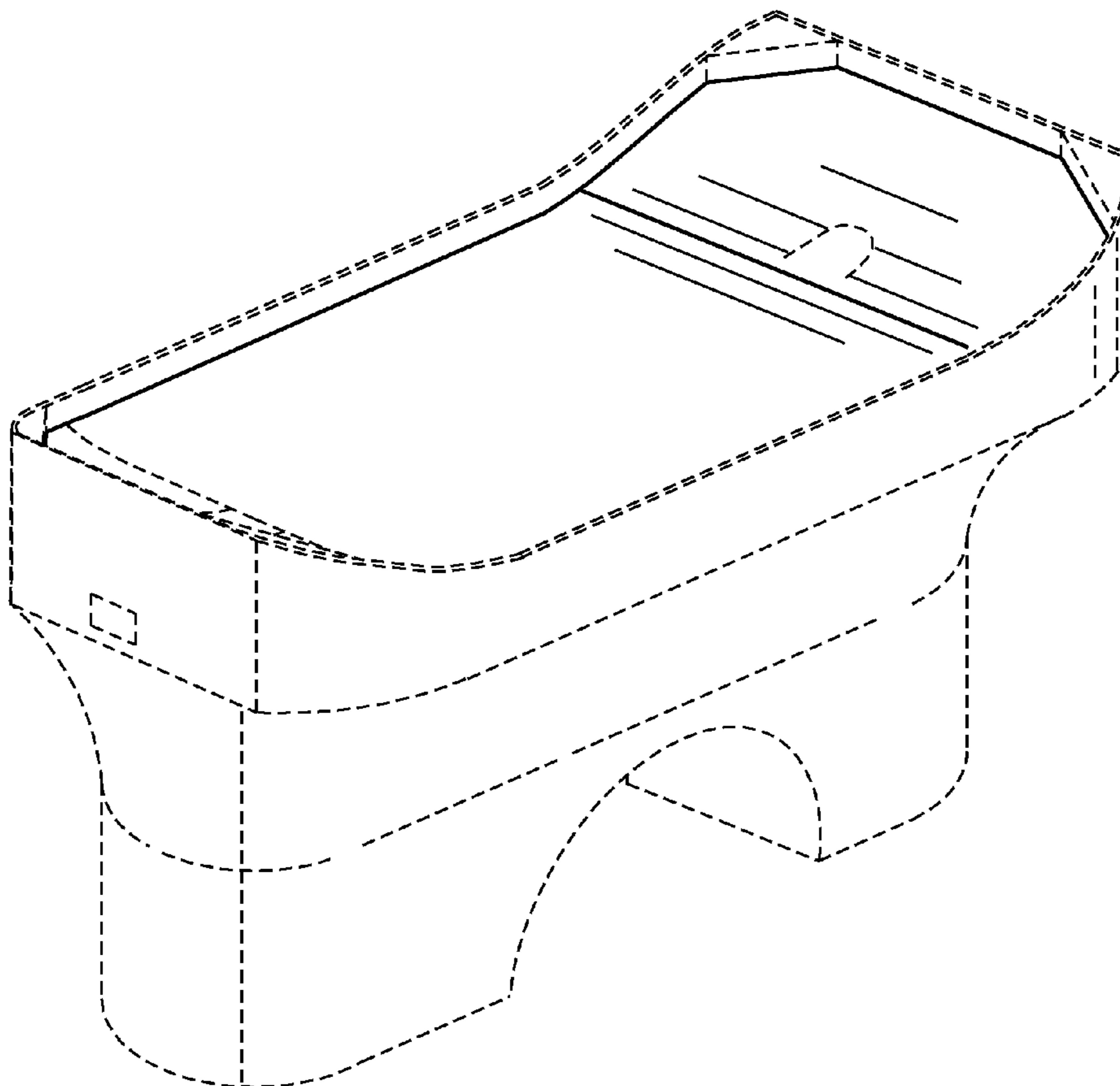
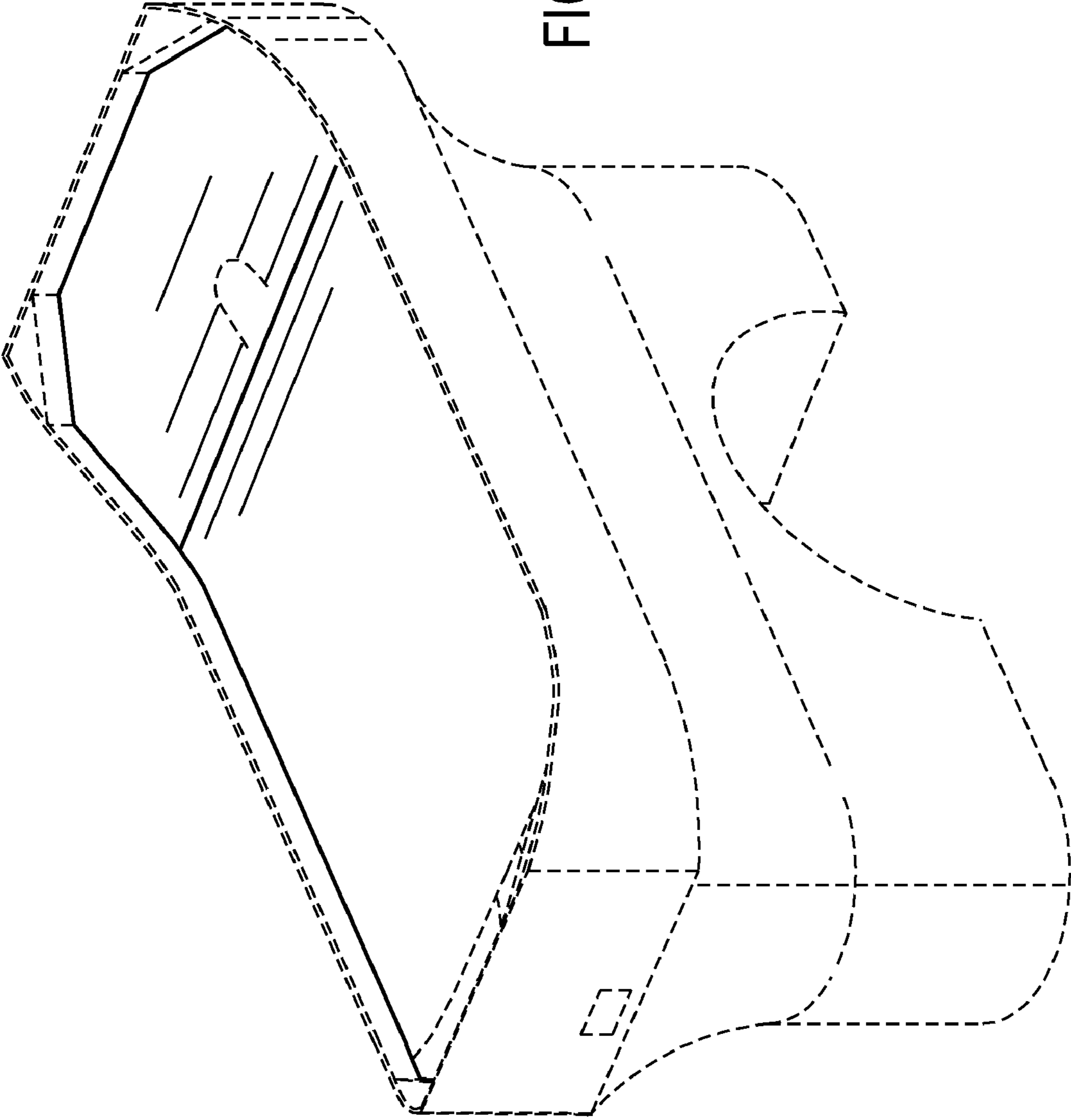


FIG. 1



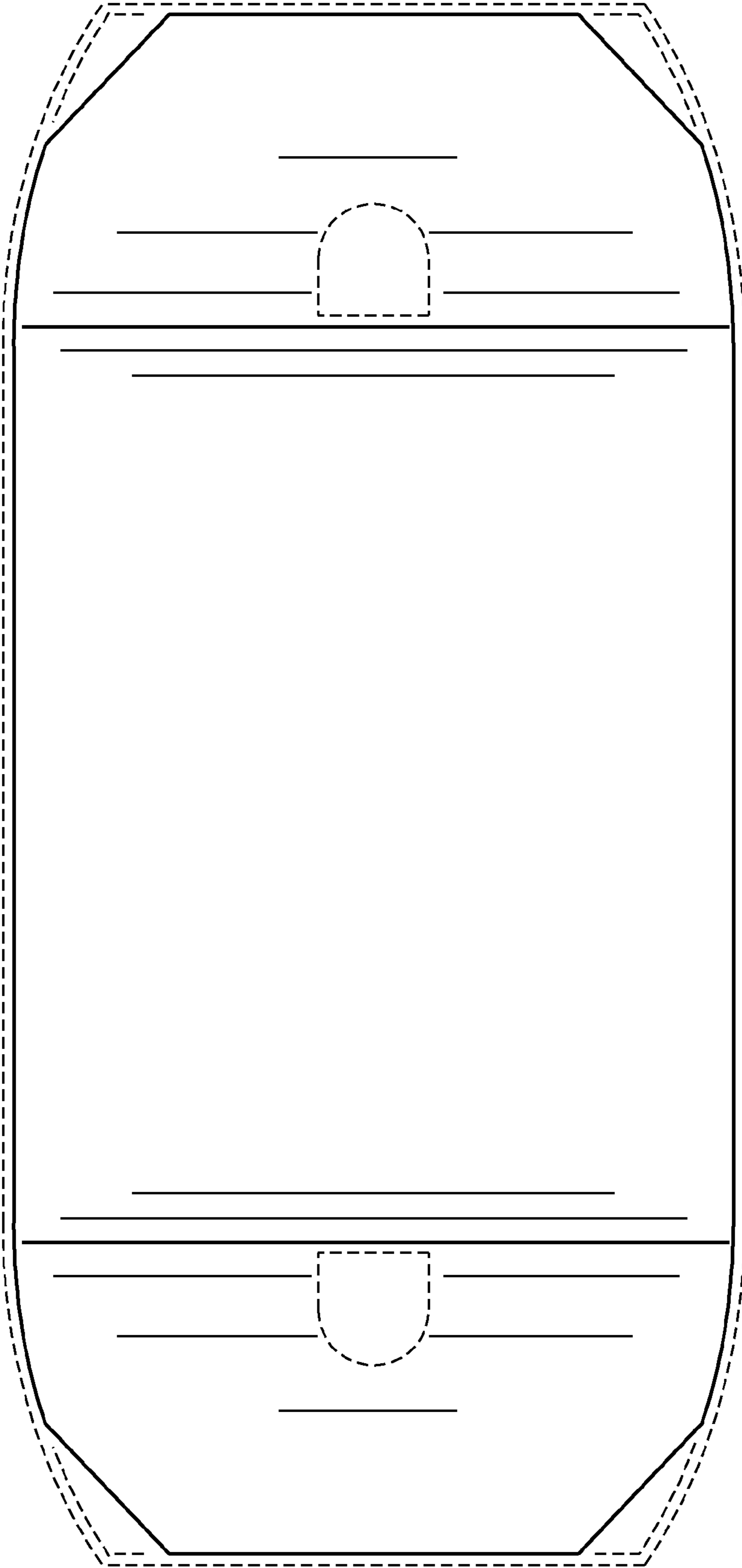


FIG. 2