

US00D575812S

(12) **United States Design Patent**
Senda et al.

(10) **Patent No.:** **US D575,812 S**

(45) **Date of Patent:** **** Aug. 26, 2008**

(54) **PROJECTOR**

(75) Inventors: **Haruki Senda**, Matsumoto (JP); **Genta Kawabe**, Matsumoto (JP); **Tetsushi Kimura**, Nagano-ken (JP); **Shigeyuki Seki**, Suwa (JP); **Masayuki Okoshi**, Nagano-ken (JP)

(73) Assignee: **Seiko Epson Corporation**, Tokyo (JP)

(**) Term: **14 Years**

(21) Appl. No.: **29/281,737**

(22) Filed: **Jun. 29, 2007**

(30) **Foreign Application Priority Data**

May 30, 2007 (JP) 2007-014323

(51) **LOC (8) Cl.** **16-02**

(52) **U.S. Cl.** **D16/230; D16/225**

(58) **Field of Classification Search** D16/205,
D16/208, 213, 221, 225, 230, 231, 234; D21/514;
353/115, 119, 122

See application file for complete search history.

(56) **References Cited**

U.S. PATENT DOCUMENTS

- D387,795 S * 12/1997 Sakamoto D16/231
- D389,850 S * 1/1998 Frank D16/225
- D503,733 S * 4/2005 Kurokawa D16/230
- D506,770 S * 6/2005 Saeki et al. D16/230
- D522,561 S * 6/2006 Ikeuchi et al. D16/230
- 7,144,122 B2 * 12/2006 Sakurai 353/119
- D544,898 S * 6/2007 Kawabe et al. D16/230

D545,339 S * 6/2007 Naruki D16/230

* cited by examiner

Primary Examiner—Adir Aronovich

(74) *Attorney, Agent, or Firm*—Oliff & Berridge, PLC

(57) **CLAIM**

The ornamental design for a projector, as shown and described.

DESCRIPTION

FIG. 1 is a front perspective view of a projector with a lens cover being illustrated in an open position;

FIG. 2 is a front view thereof with the lens cover being illustrated in an open position;

FIG. 3 is a rear view thereof;

FIG. 4 is a left side view thereof;

FIG. 5 is a right side view thereof;

FIG. 6 is a top view thereof with the lens cover being illustrated in an open position;

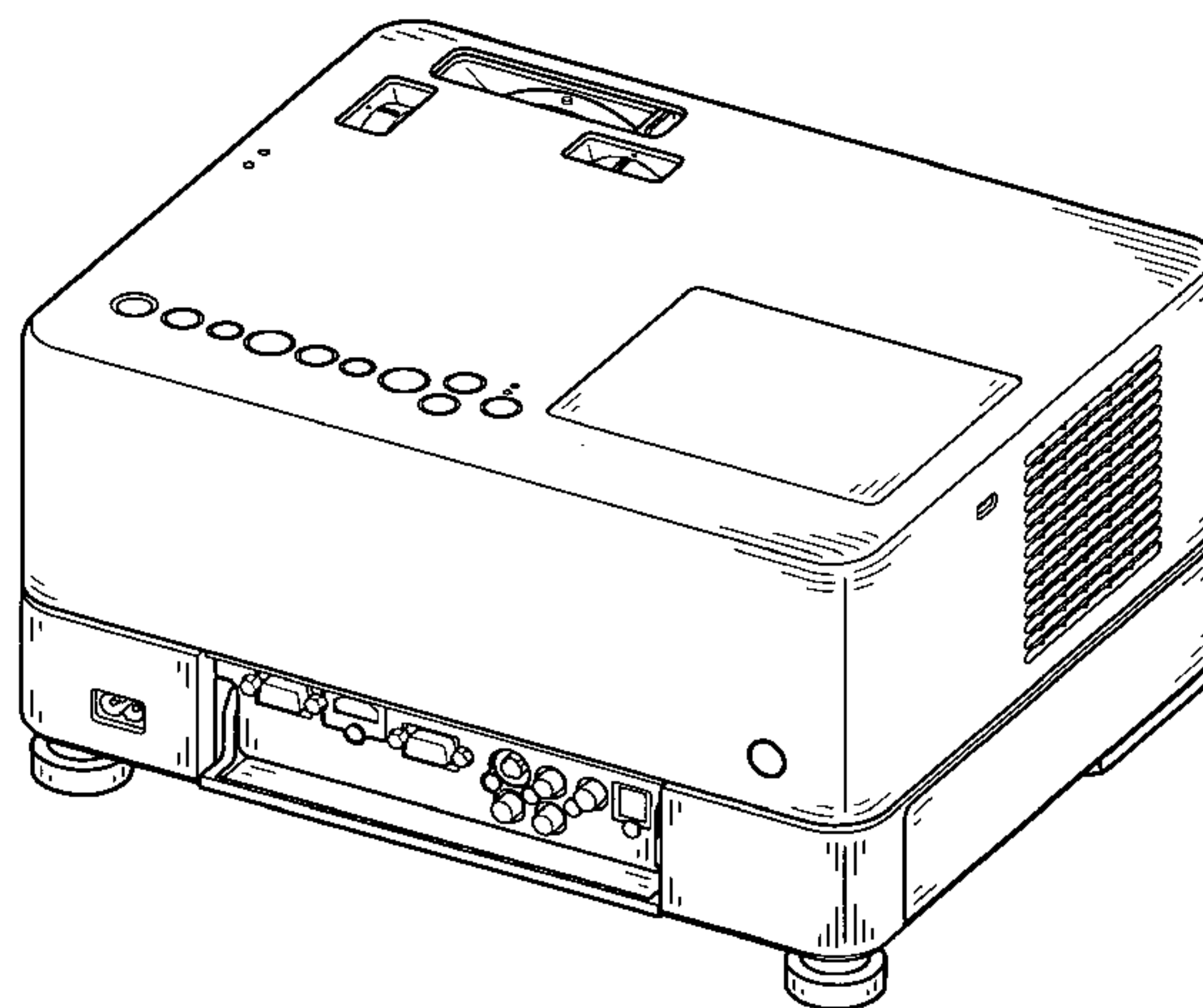
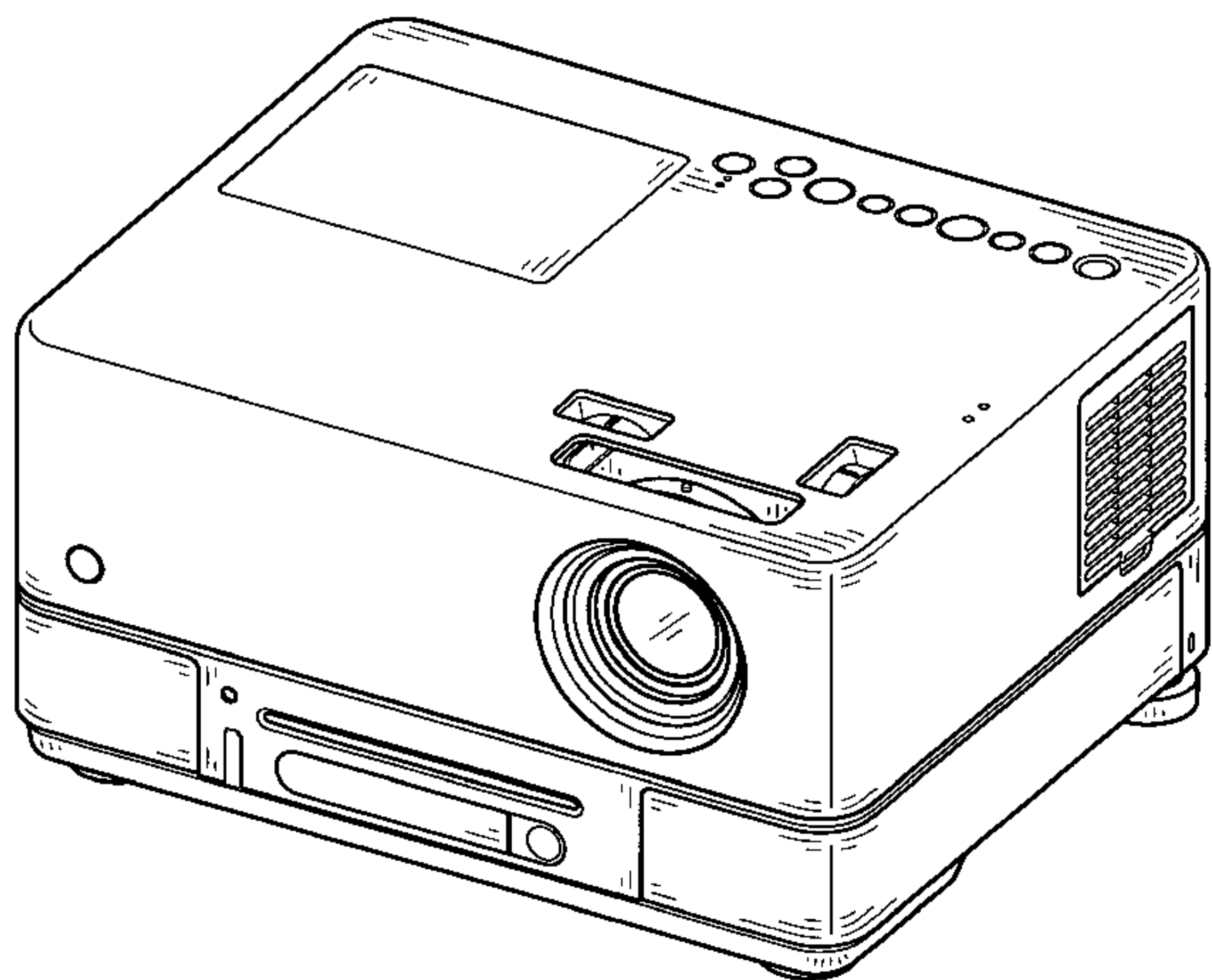
FIG. 7 is a bottom view thereof;

FIG. 8 is a front perspective view of the projector with the lens cover being illustrated in a closed position;

FIG. 9 is a rear perspective view of the projector being illustrated with the back compartment cover removed; and,

FIG. 10 is a perspective view of the projector with an upper portion of the projector being rotated 180 degrees so that the front view of a lower portion of the projector is shown together with the rear view of the upper portion of the projector.

1 Claim, 6 Drawing Sheets



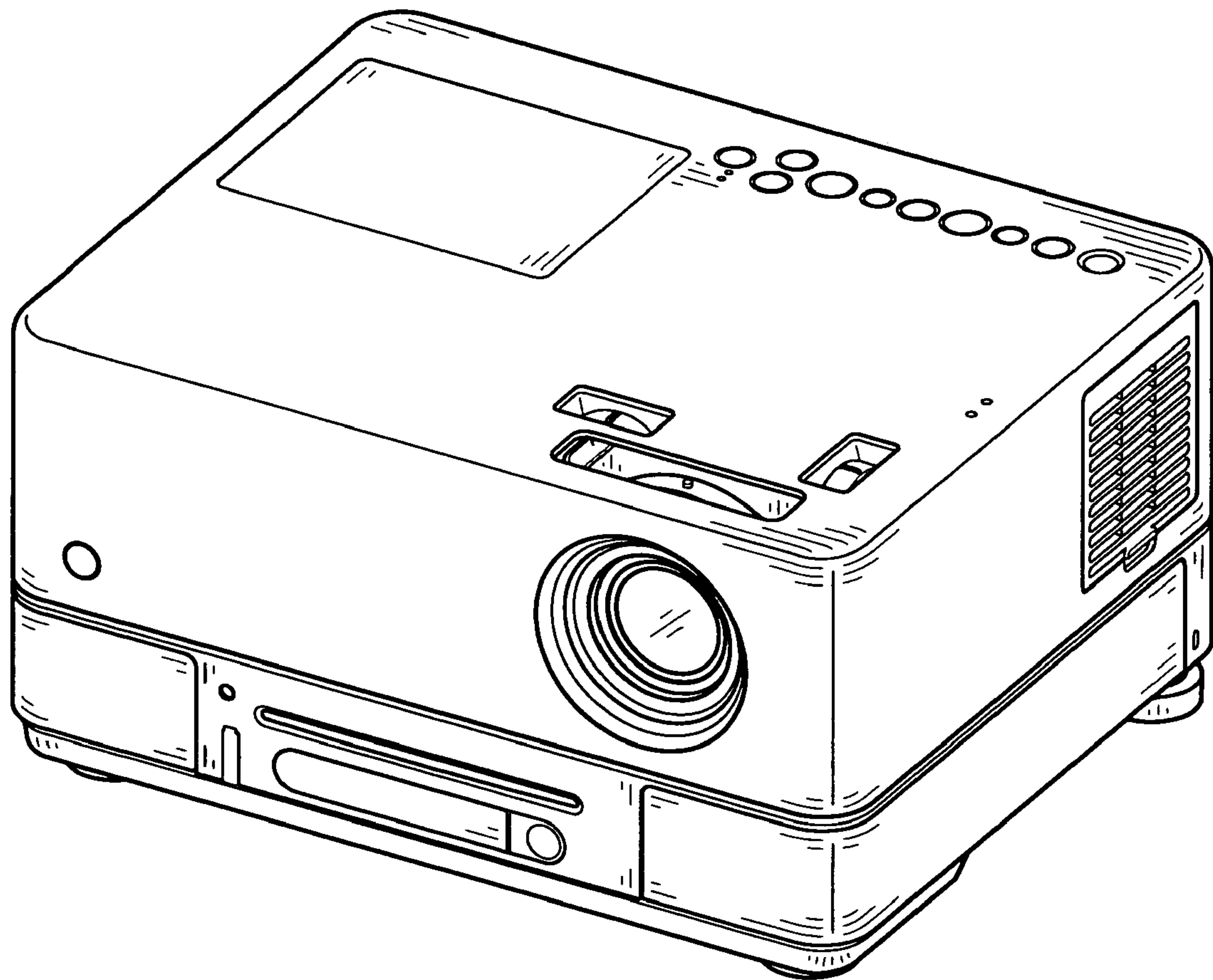


FIG. 1

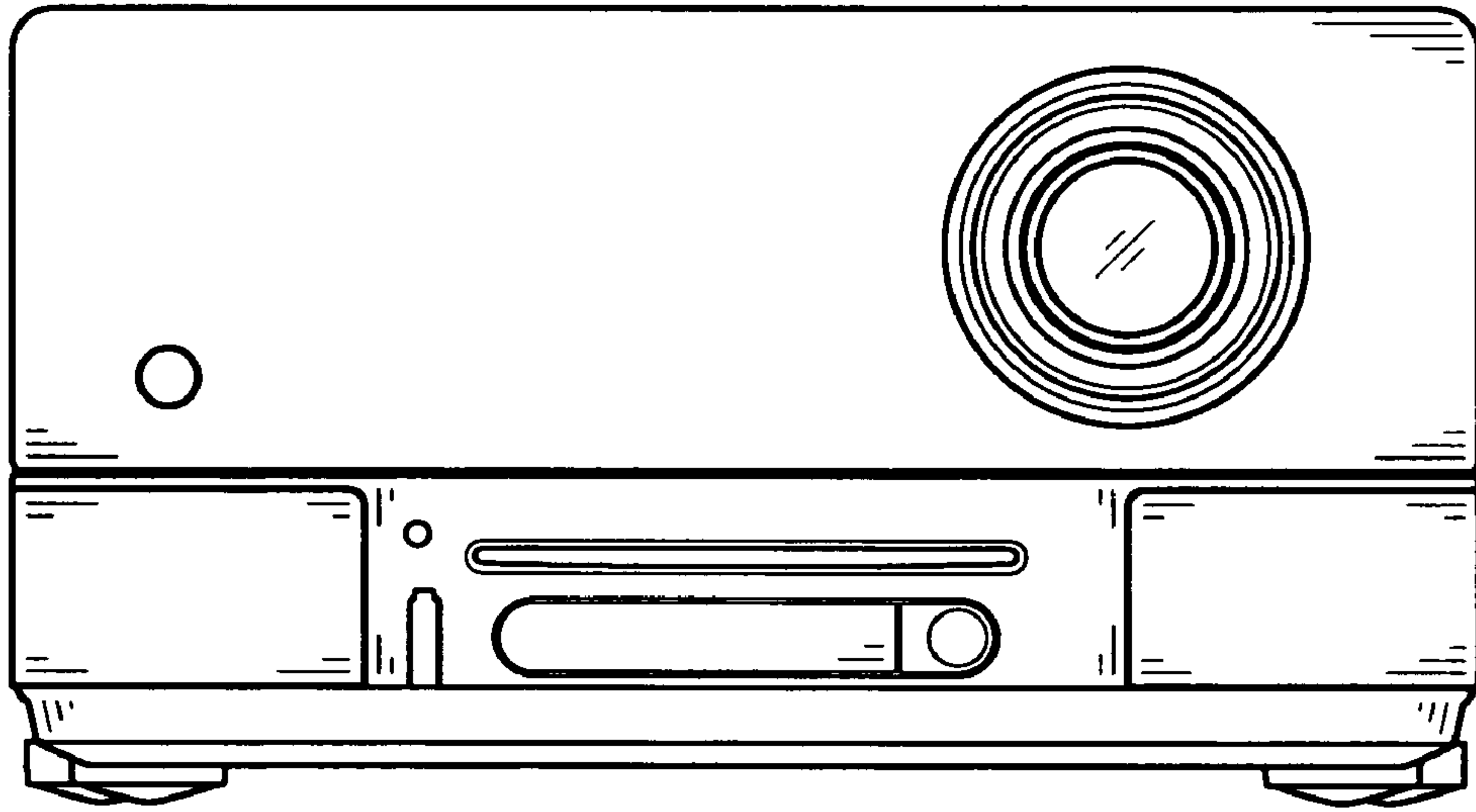


FIG. 2

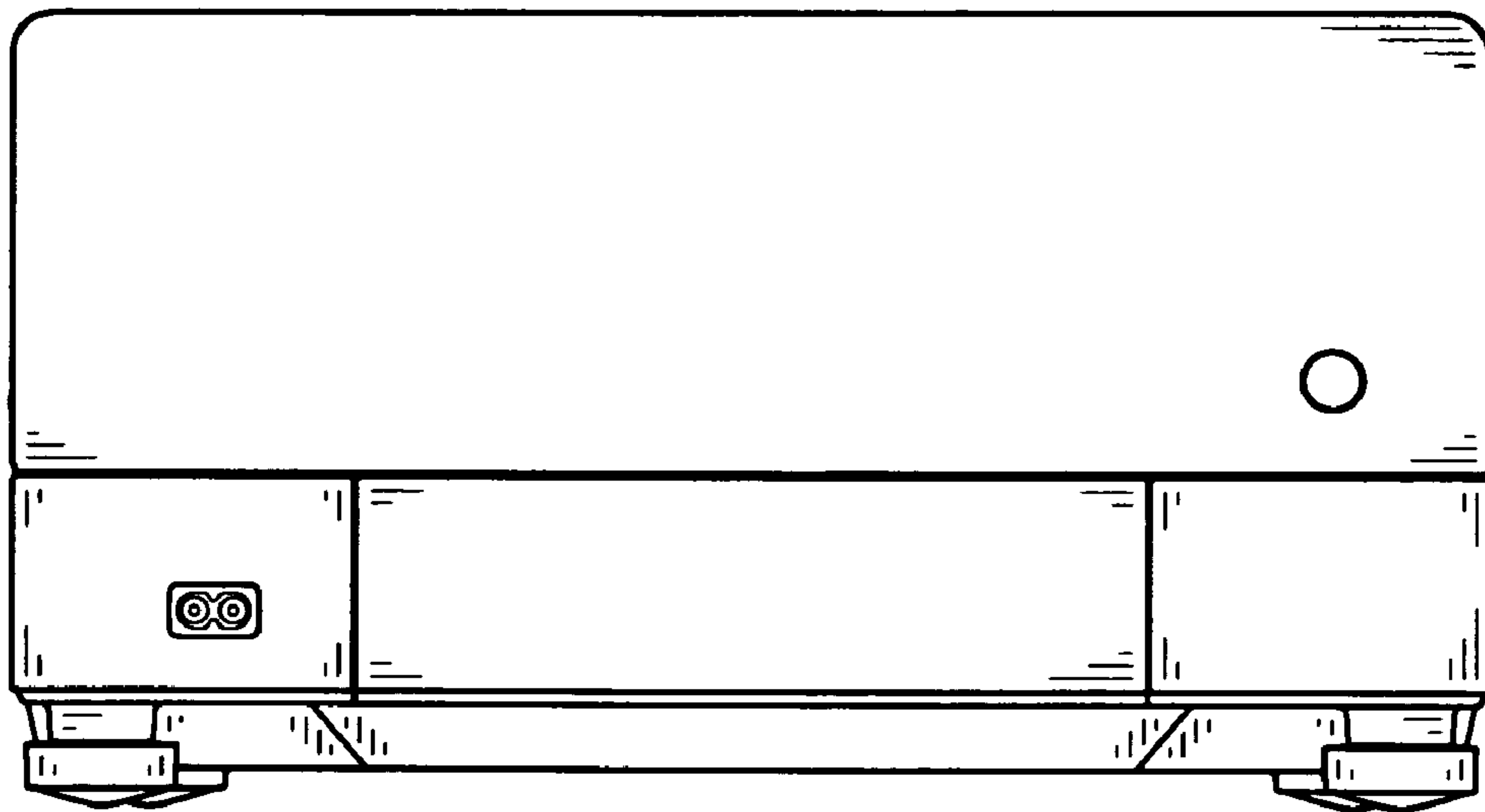


FIG. 3

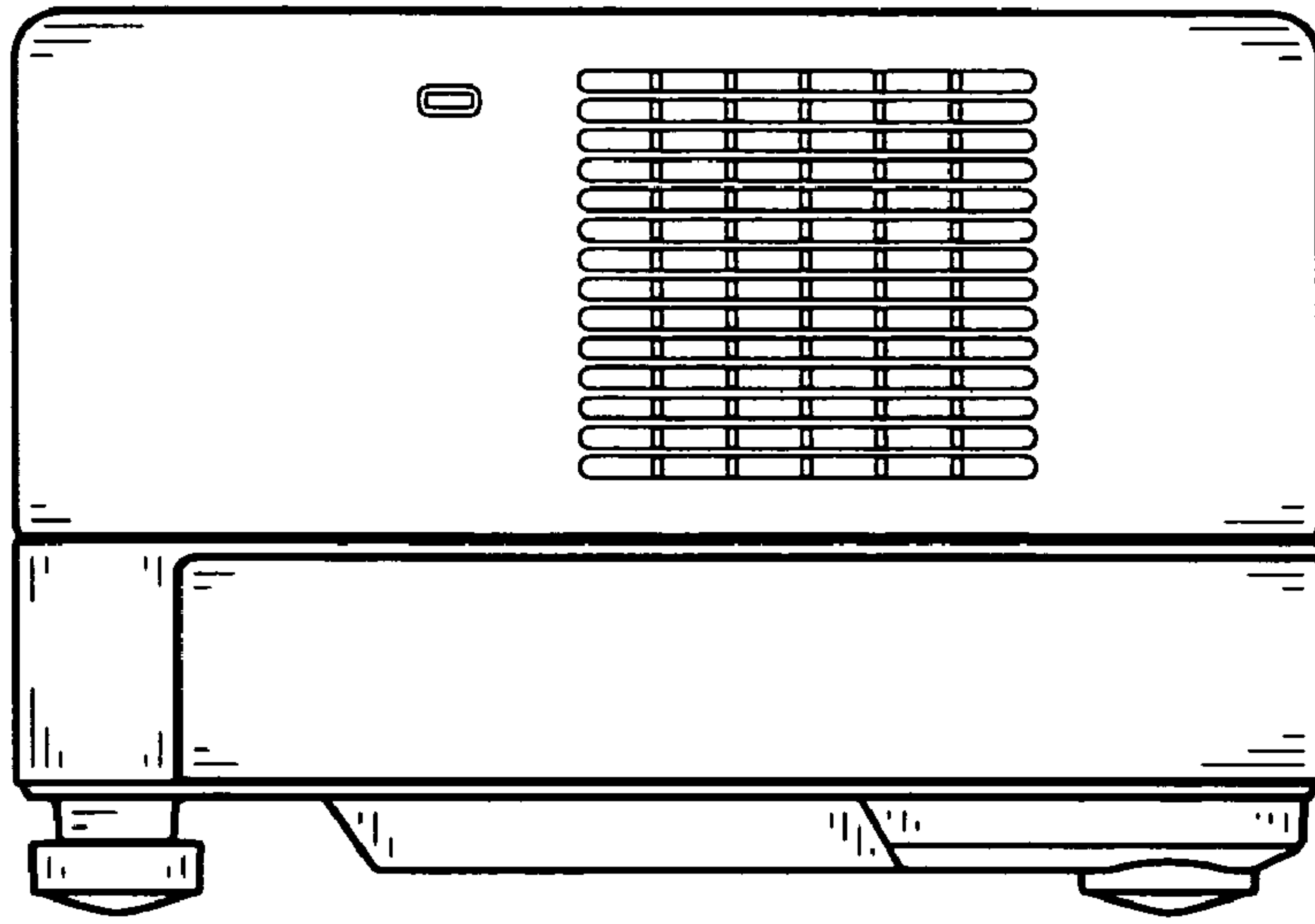


FIG. 4

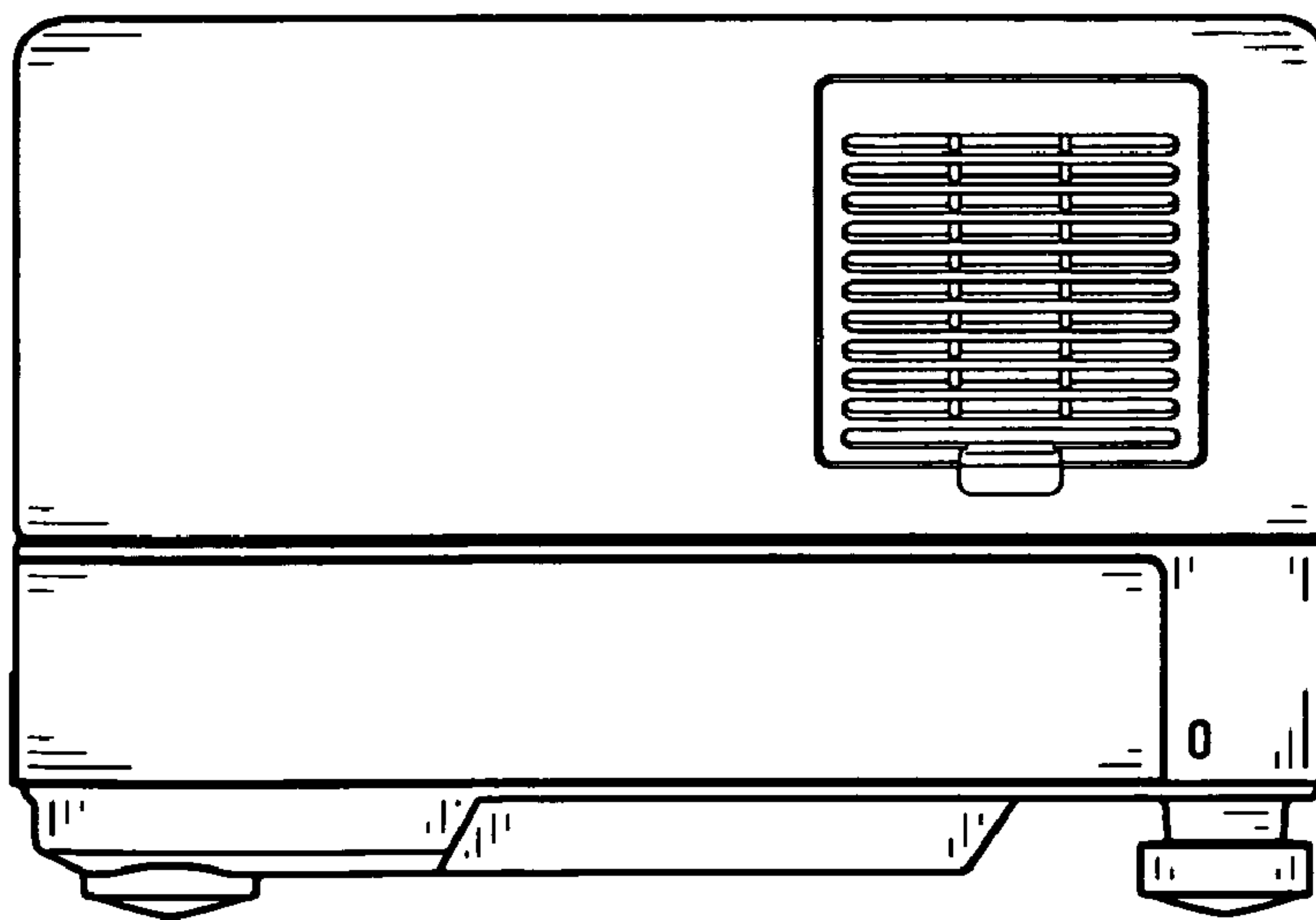


FIG. 5

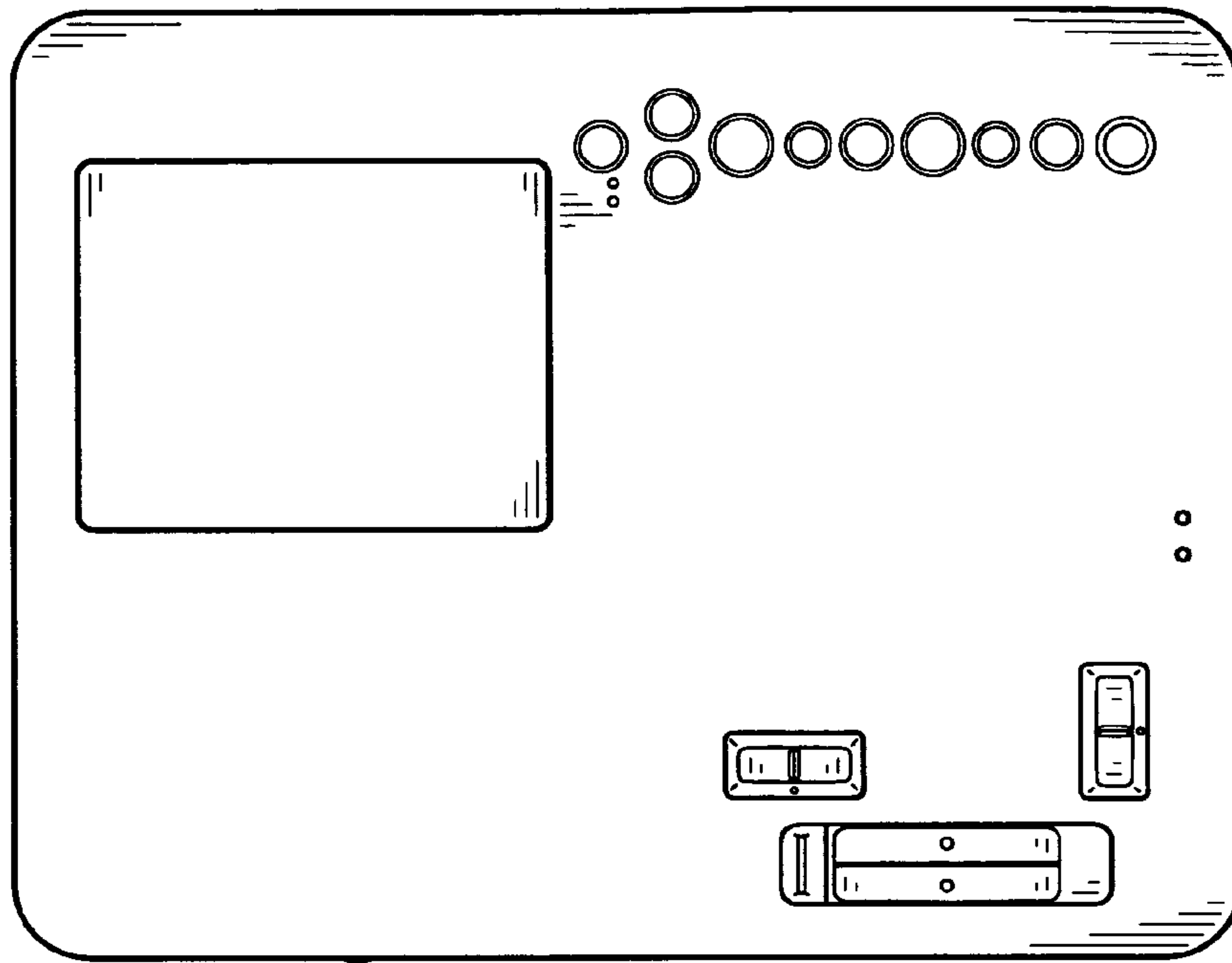


FIG. 6

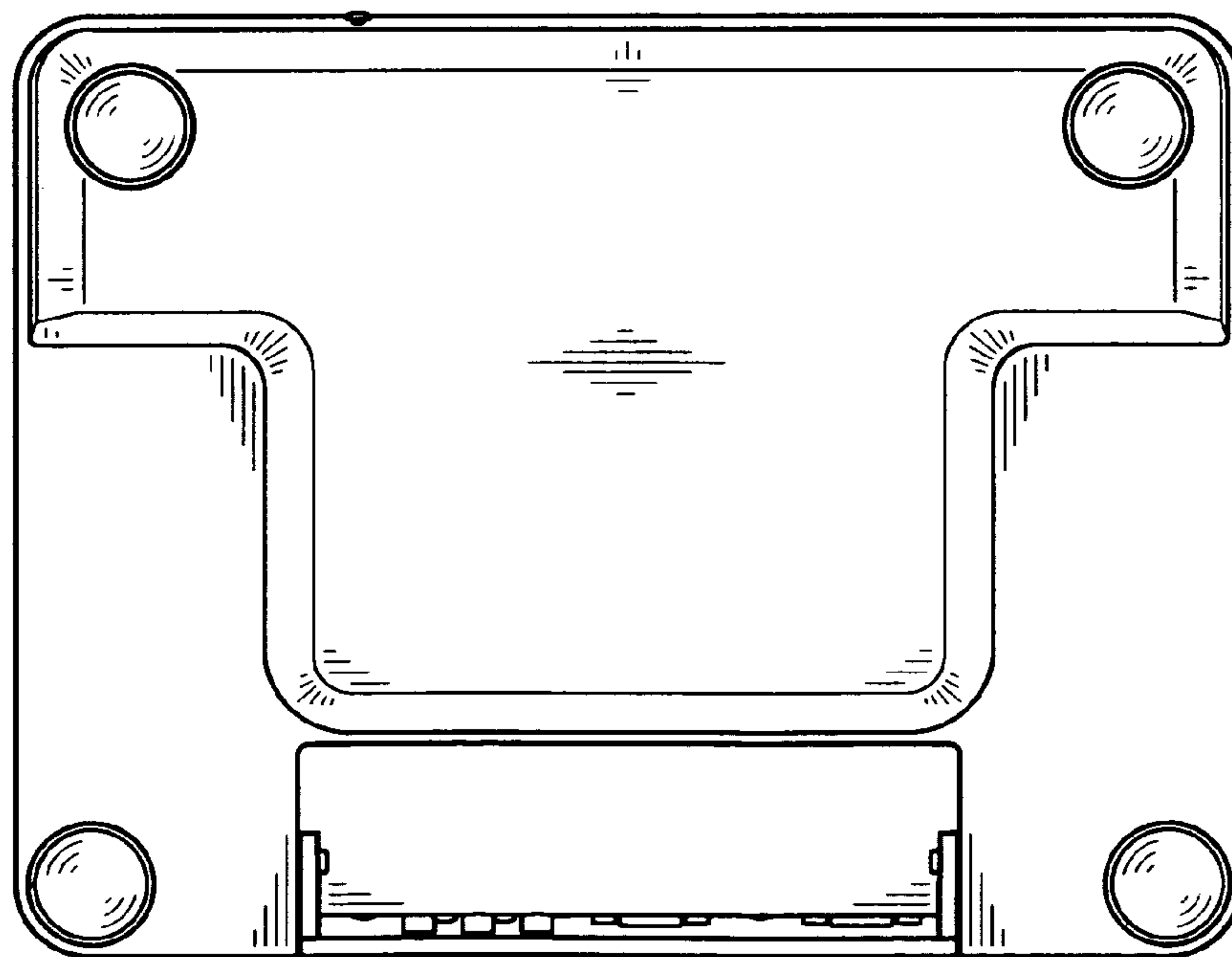


FIG. 7

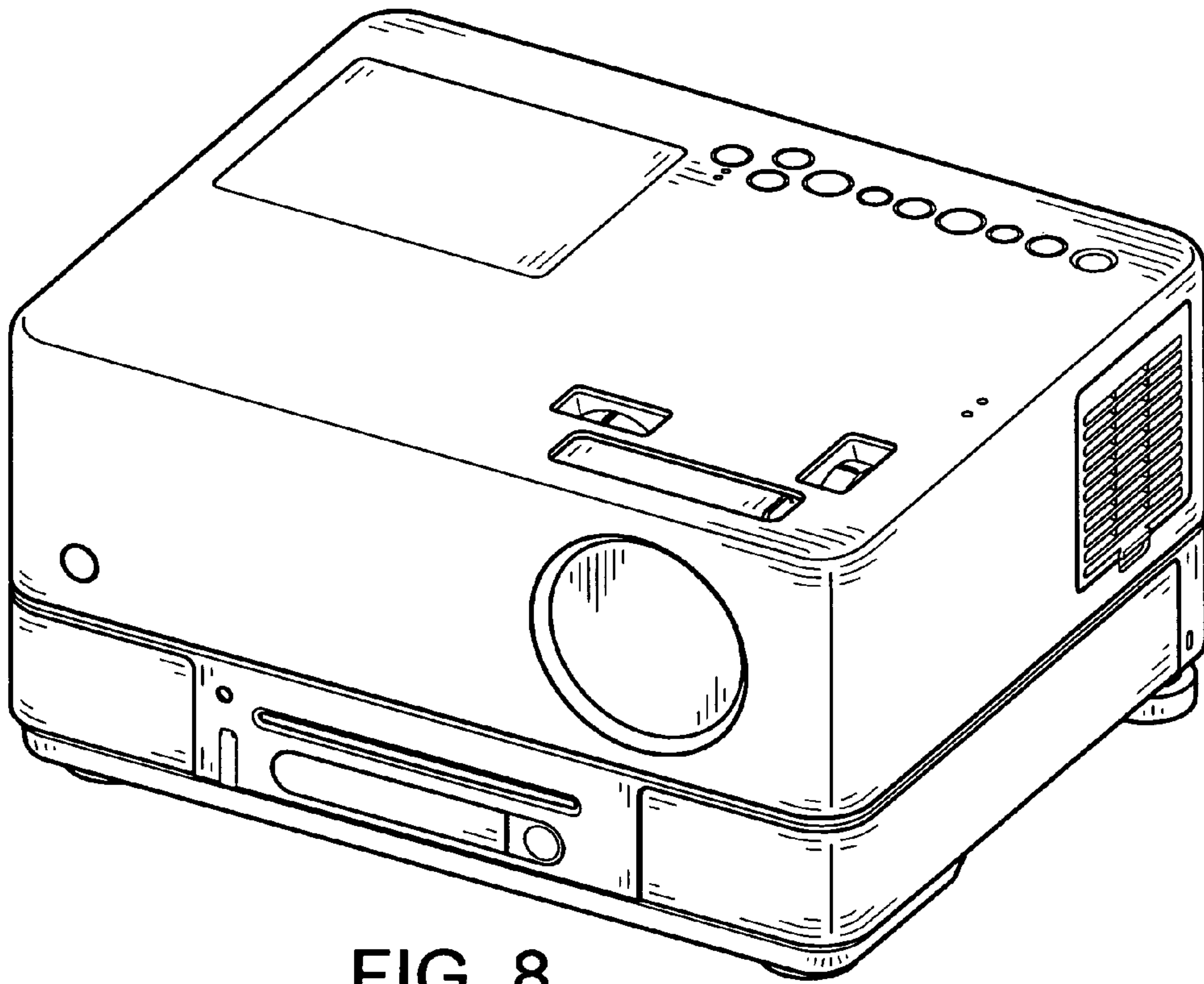


FIG. 8

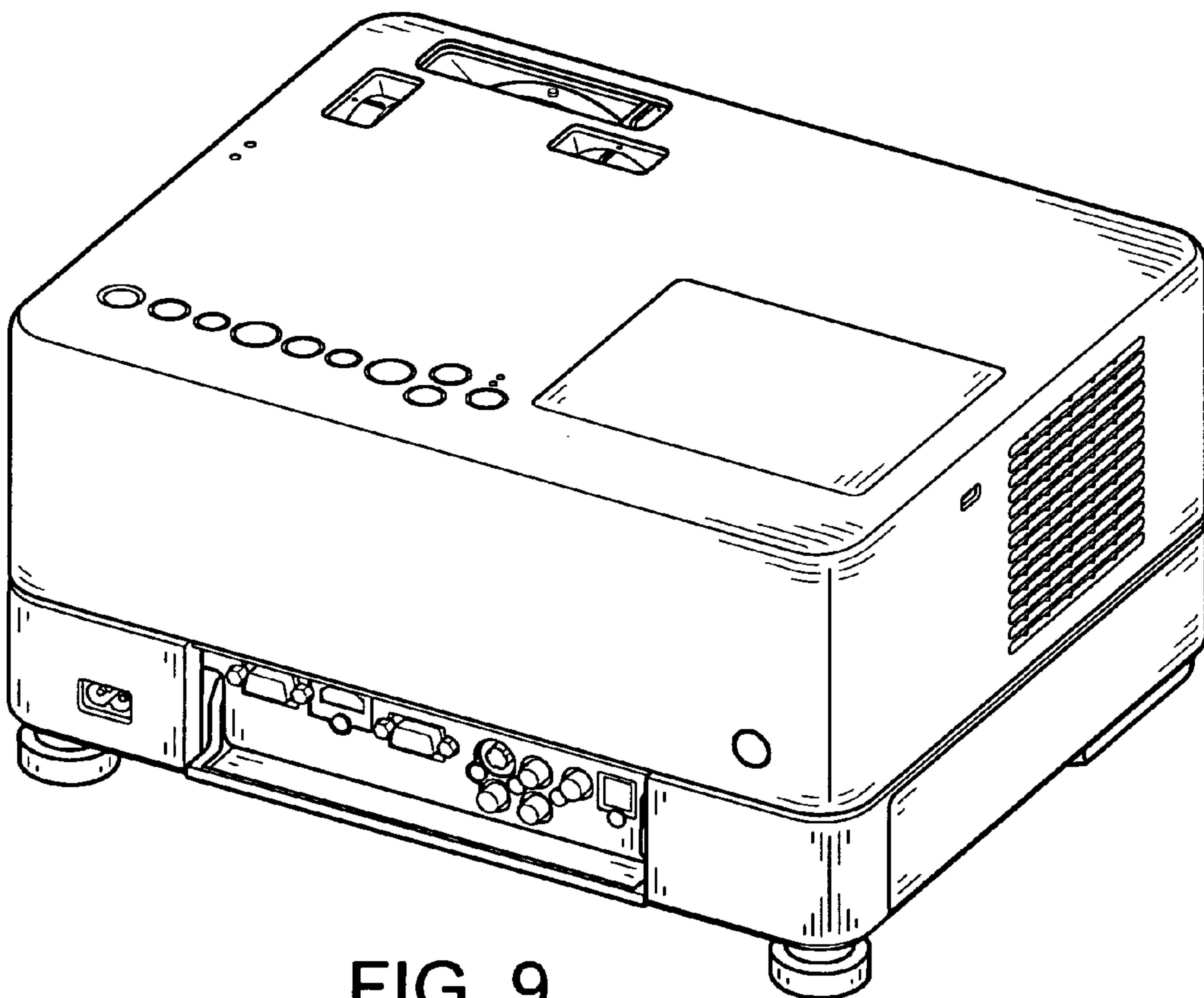


FIG. 9

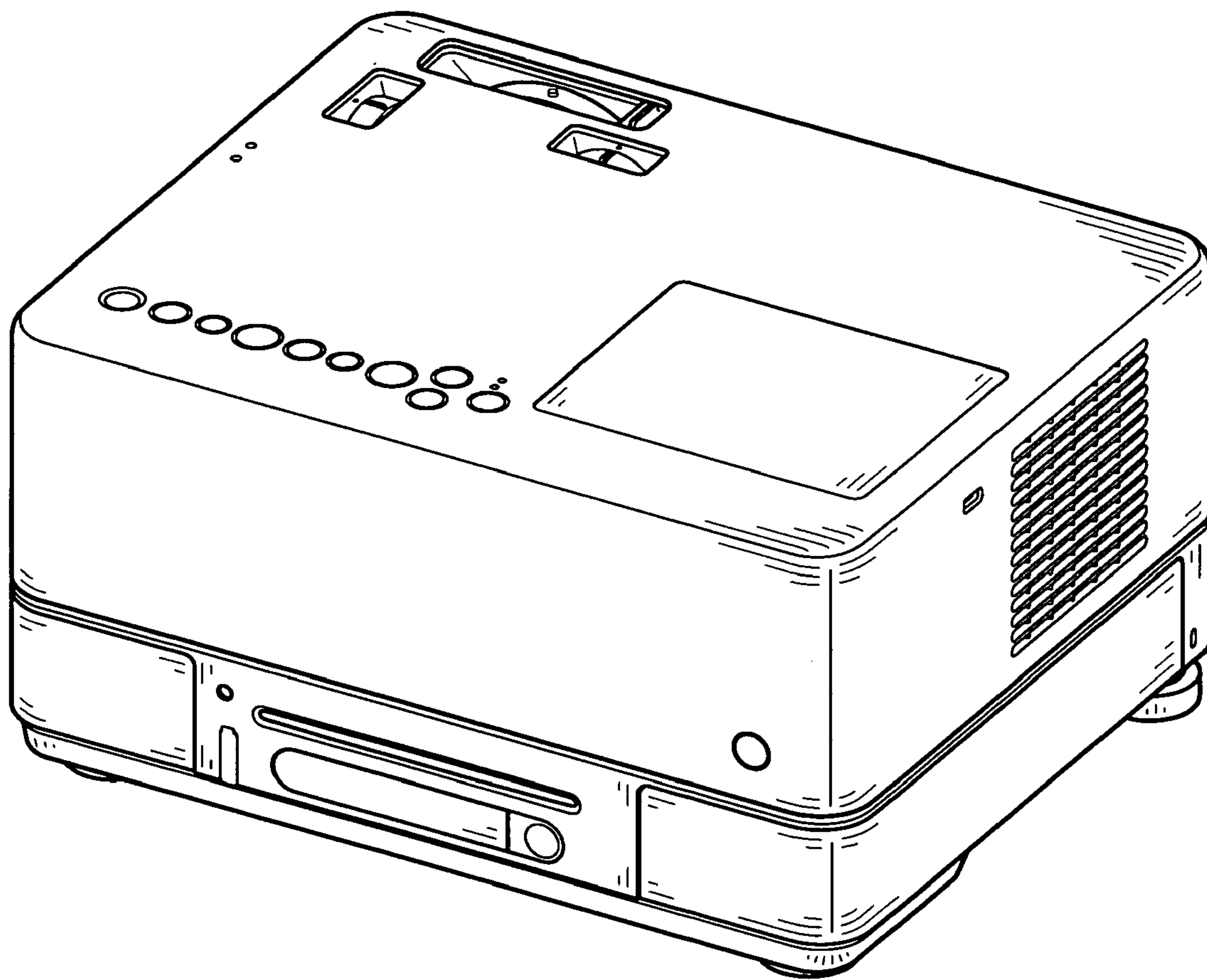


FIG.10