



US00D575811S

(12) **United States Design Patent**
Ohki et al.

(10) **Patent No.:** **US D575,811 S**

(45) **Date of Patent:** **** Aug. 26, 2008**

(54) **VIDEO PROJECTOR**

(75) Inventors: **Masayuki Ohki**, Kokubunji (JP); **Sho Nozue**, Musashino (JP); **Minoru Ikeda**, Inagi (JP); **Shinji Matsumoto**, Yokohama (JP); **Kazuomi Kaneko**, Yokohama (JP)

(73) Assignee: **Hitachi, Ltd.**, Tokyo (JP)

(**) Term: **14 Years**

(21) Appl. No.: **29/280,439**

(22) Filed: **May 29, 2007**

(30) **Foreign Application Priority Data**

Mar. 9, 2007 (JP) 2007-006133

(51) **LOC (8) Cl.** **16-02**

(52) **U.S. Cl.** **D16/230; D16/225**

(58) **Field of Classification Search** D16/205,
D16/208, 213, 221, 225, 230, 231, 234; D21/514;
353/115, 119, 122

See application file for complete search history.

(56) **References Cited**

U.S. PATENT DOCUMENTS

D464,074 S * 10/2002 Miyazaki D16/230

D470,525 S * 2/2003 Nakayama et al. D16/231
D472,570 S * 4/2003 Takahashi D16/230
D474,799 S * 5/2003 Kawasaki et al. D16/230
6,616,282 B2 * 9/2003 Ozawa 353/119
D503,733 S * 4/2005 Kurokawa D16/230
D504,453 S * 4/2005 Junsu et al. D16/230
D506,770 S * 6/2005 Saeki et al. D16/230

* cited by examiner

Primary Examiner—Adir Aronovich

(74) *Attorney, Agent, or Firm*—Antonelli, Terry, Stout & Kraus, LLP.

(57) **CLAIM**

The ornamental design for video projector, as shown.

DESCRIPTION

FIG. 1 is a front, top and right side perspective view of video projector showing our new design;

FIG. 2 is a front elevational view thereof;

FIG. 3 is a rear elevational view thereof;

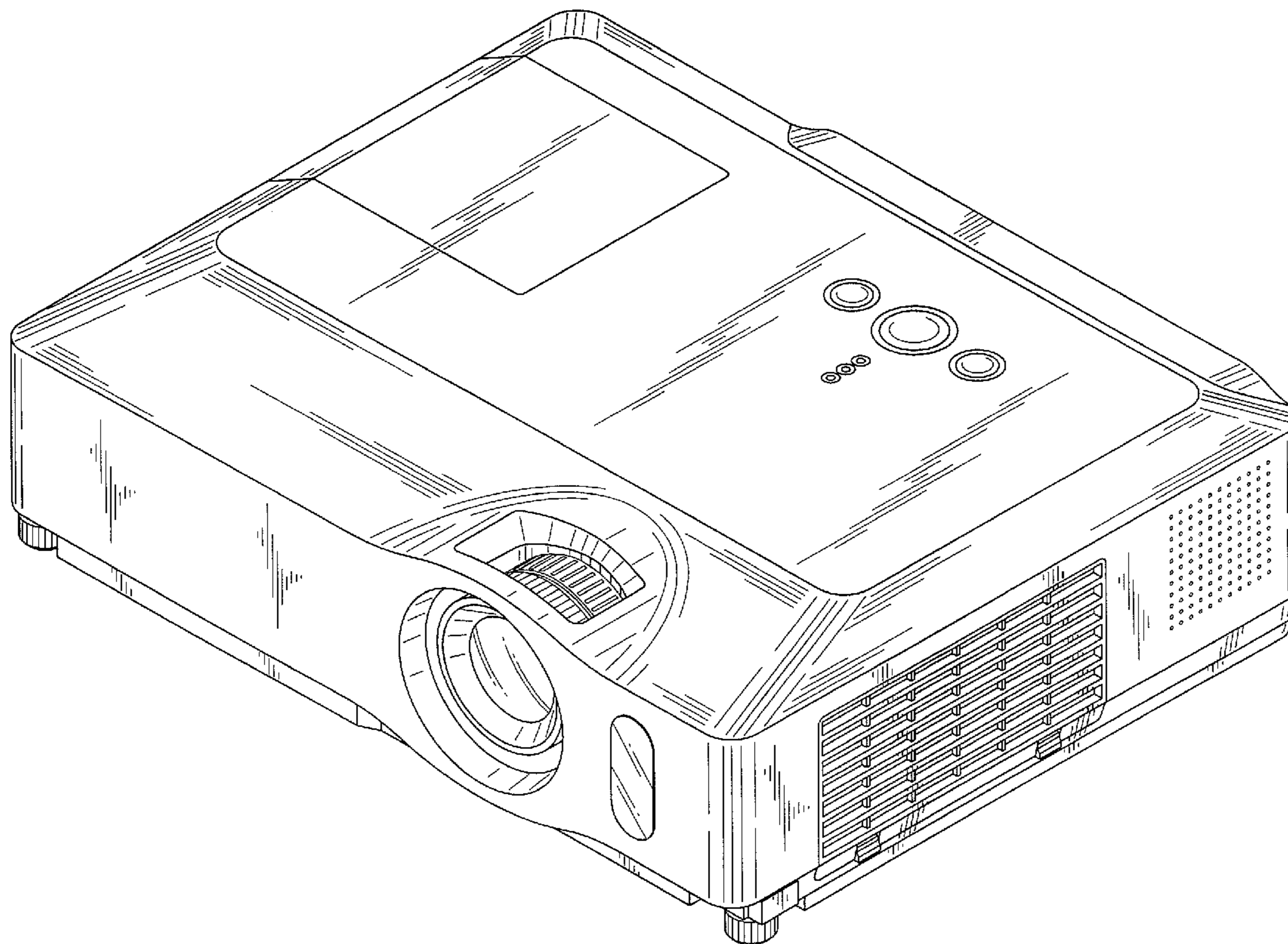
FIG. 4 is a left side elevational view thereof;

FIG. 5 is a right side elevational view thereof;

FIG. 6 is a top plan view thereof; and,

FIG. 7 is a bottom plan view thereof.

1 Claim, 5 Drawing Sheets



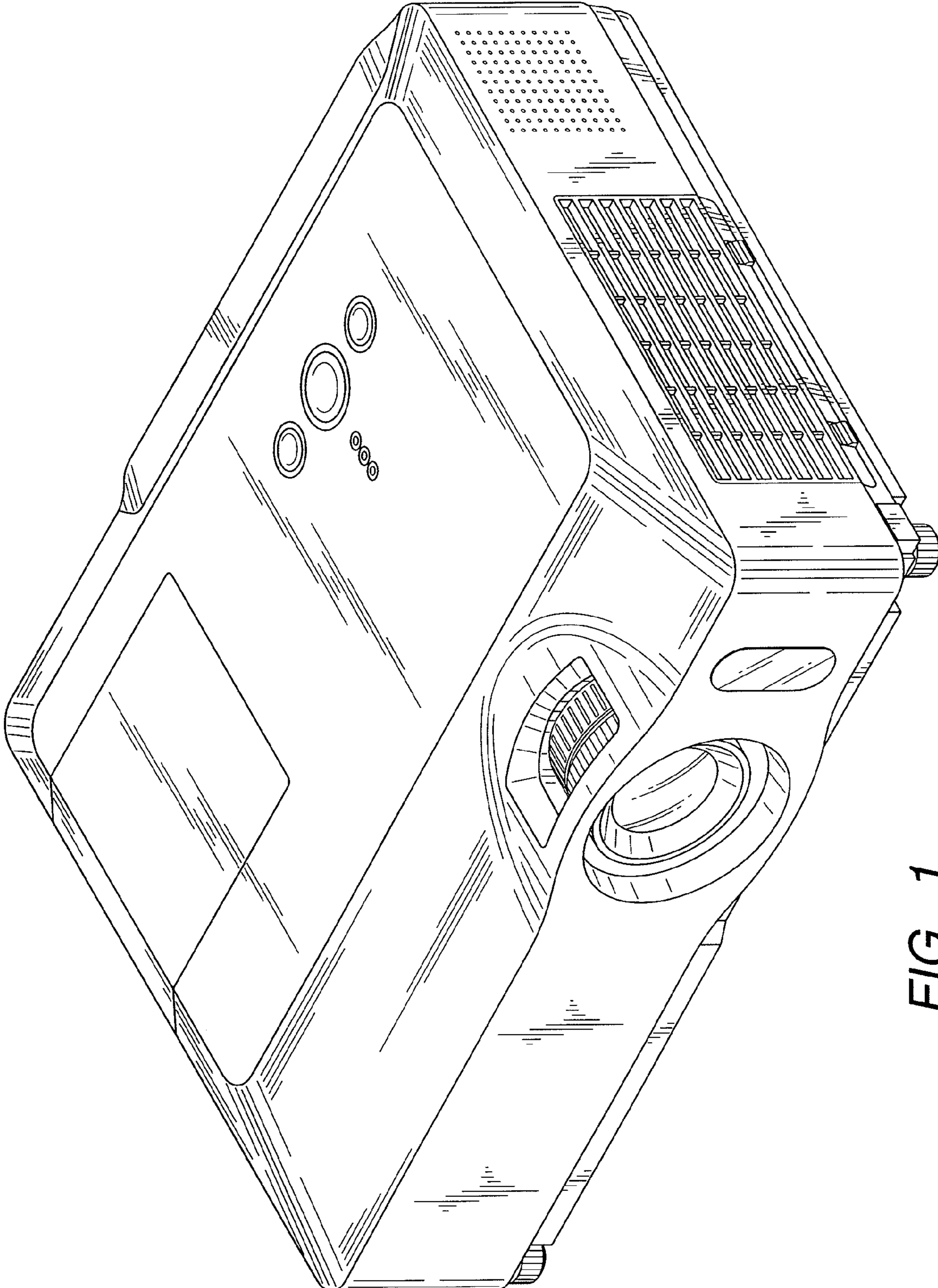


FIG. 1

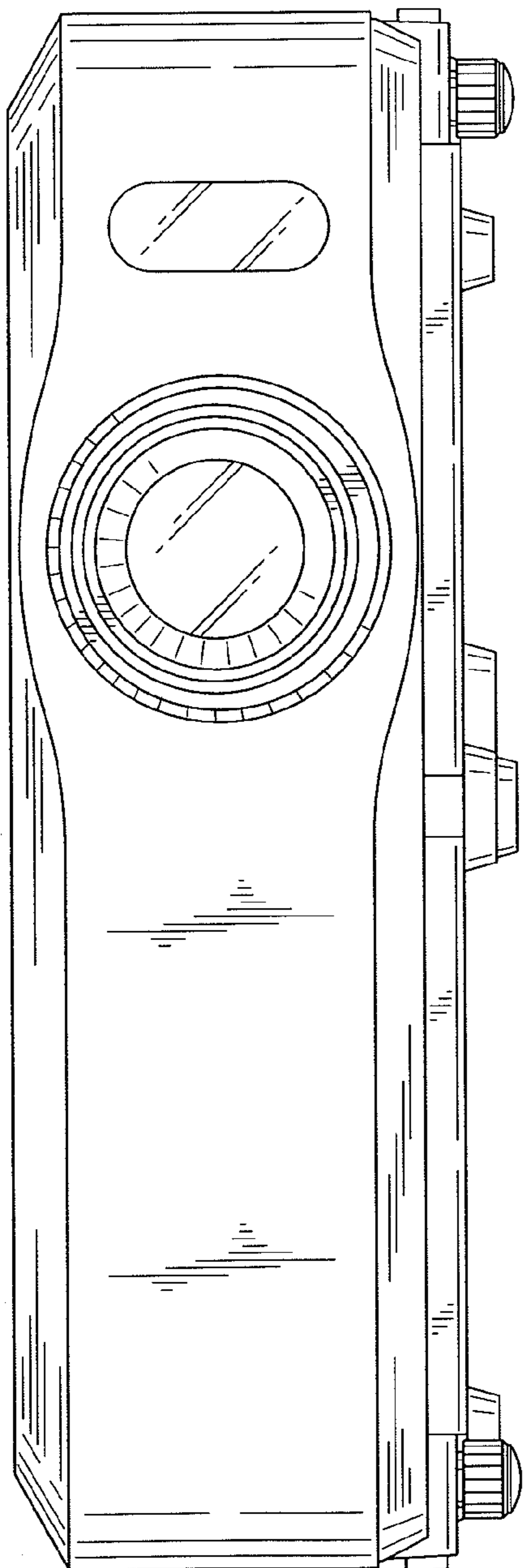


FIG. 2

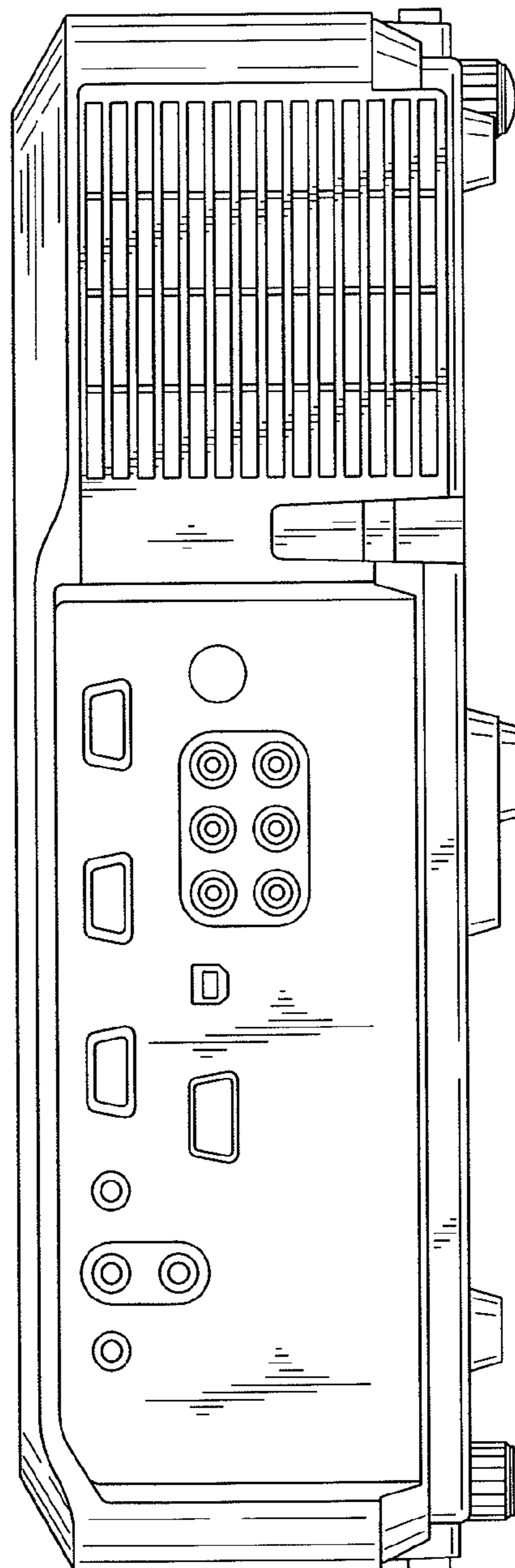


FIG. 3

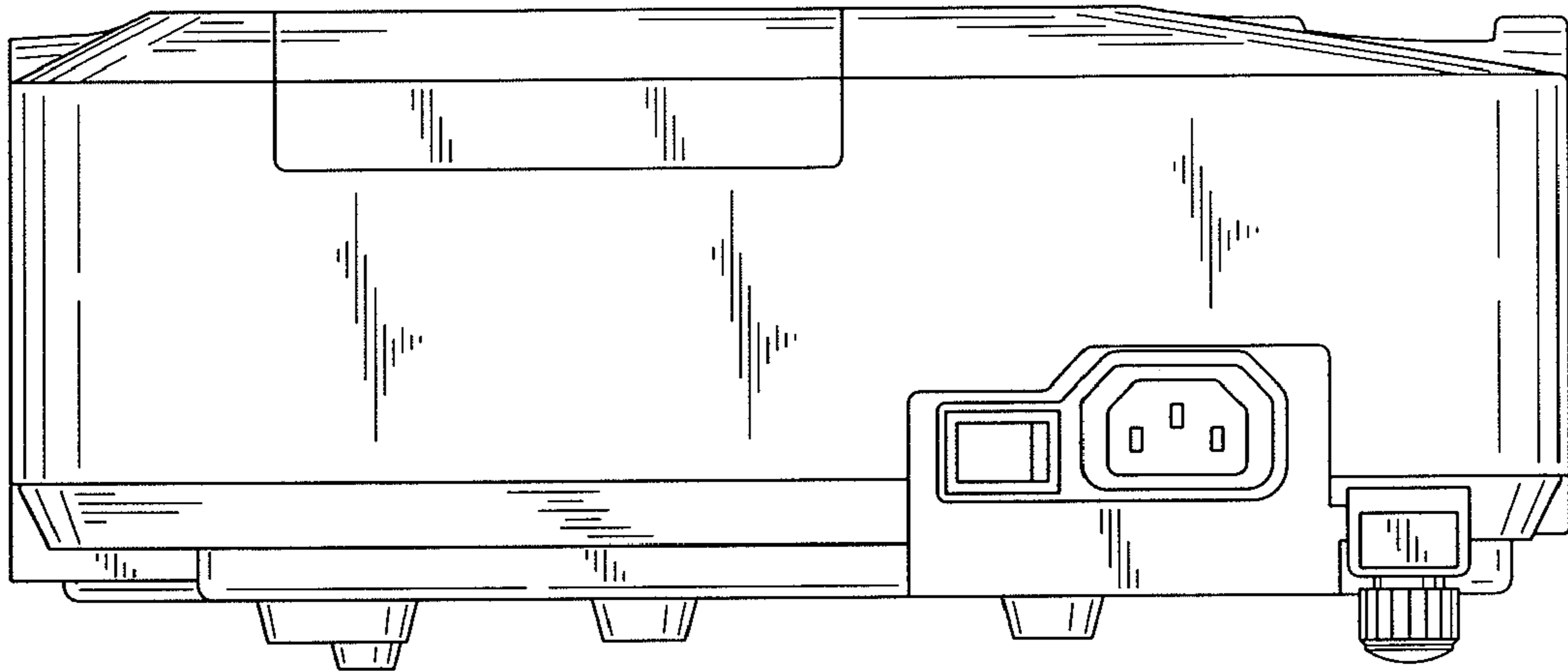


FIG. 4

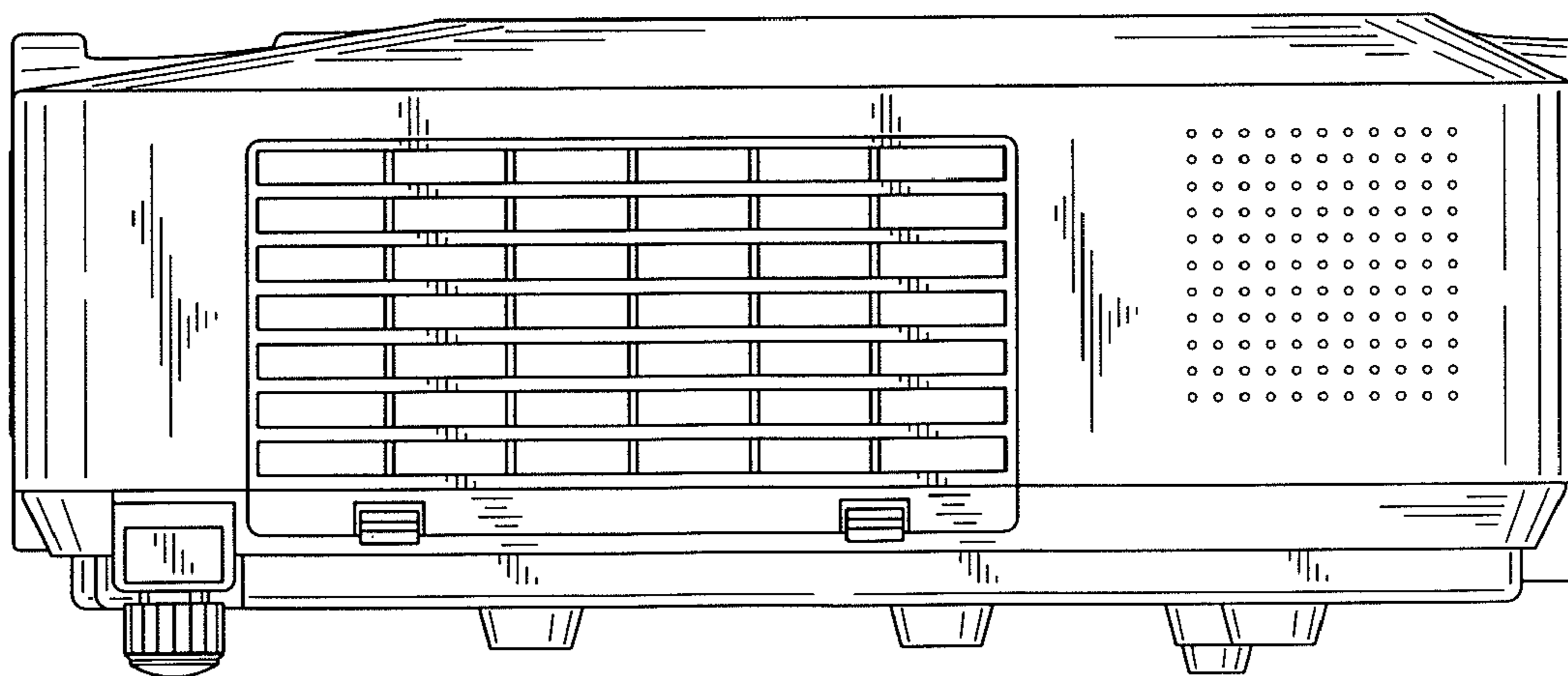


FIG. 5

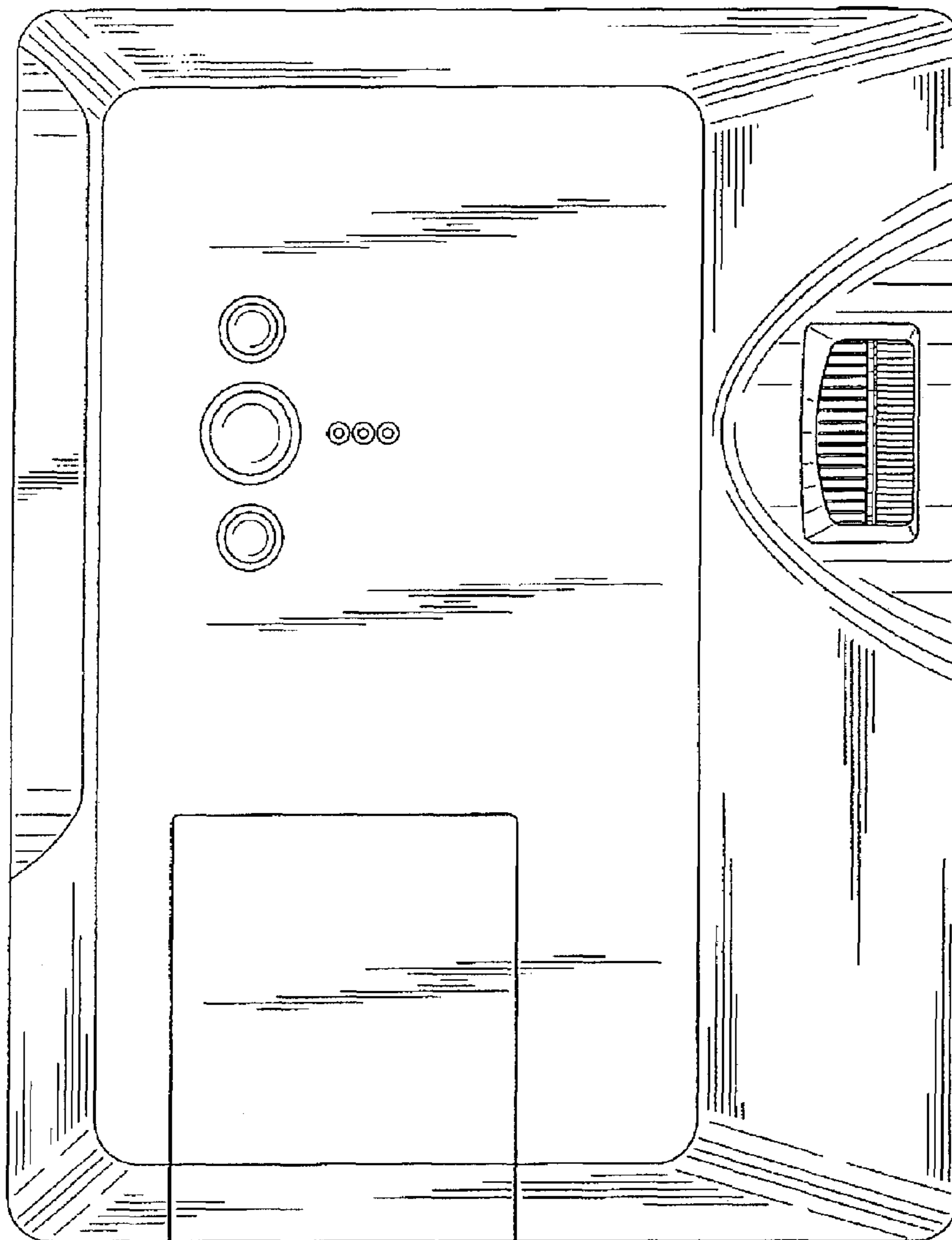


FIG. 6

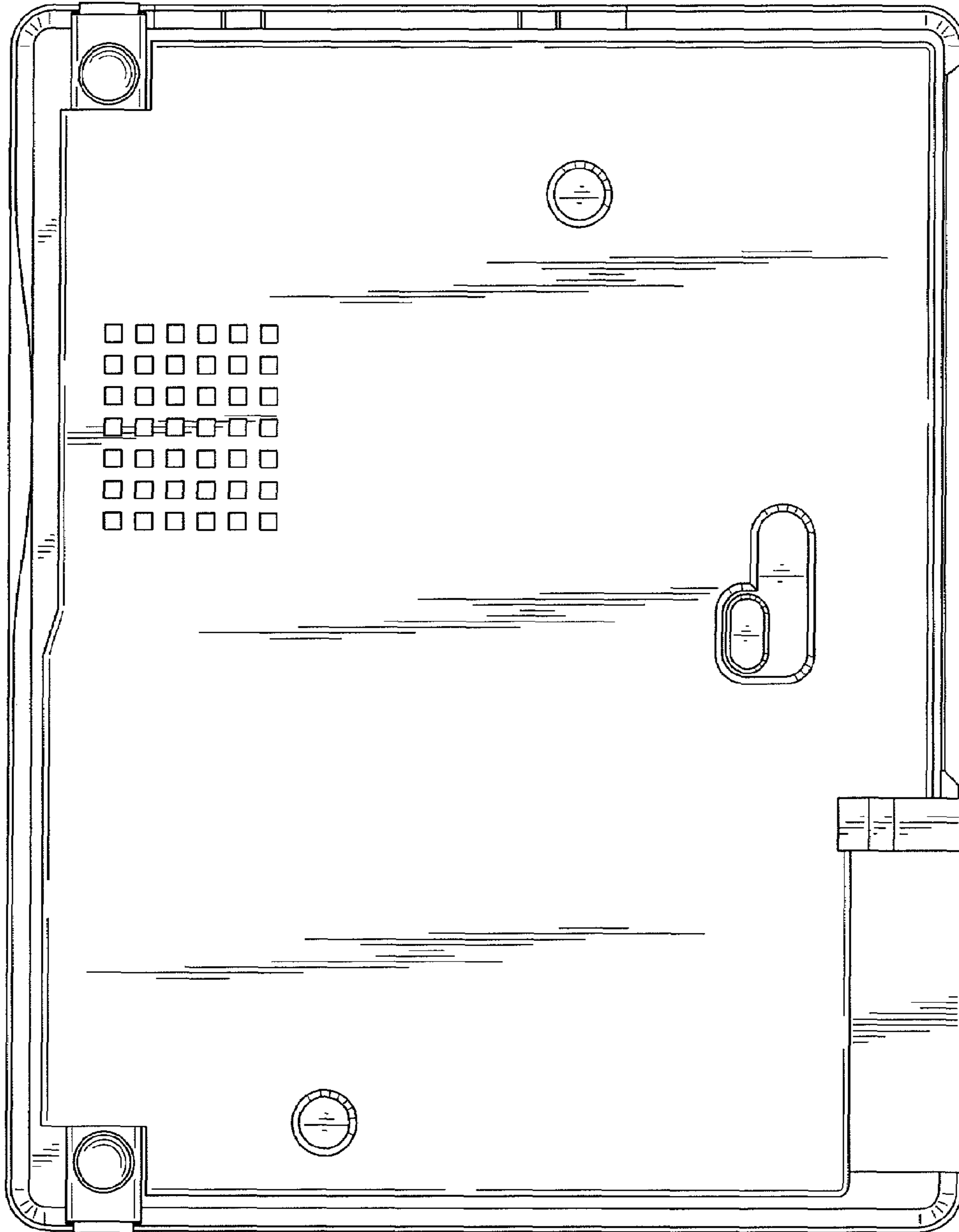


FIG. 7