

US00D575810S

(12) **United States Design Patent**  
**Alm**

(10) **Patent No.:** **US D575,810 S**

(45) **Date of Patent:** **\*\* Aug. 26, 2008**

(54) **SURVEILLANCE CAMERA HOUSING**

(75) Inventor: **Carl-Axel Alm**, Lund (SE)

(73) Assignee: **Axis AB**, Lund (SE)

(\*\*) Term: **14 Years**

(21) Appl. No.: **29/267,690**

(22) Filed: **Oct. 18, 2006**

**Related U.S. Application Data**

(63) Continuation-in-part of application No. 29/259,655, filed on May 13, 2006, now abandoned.

(30) **Foreign Application Priority Data**

Nov. 14, 2005 (EM) ..... 000430947

(51) **LOC (8) Cl.** ..... **16-01**

(52) **U.S. Cl.** ..... **D16/203**

(58) **Field of Classification Search** ..... D10/106;  
D16/200–205, 208, 218, 219; 348/143, 151,  
348/373–376; 396/427, 535, 536–541  
See application file for complete search history.

(56) **References Cited**

**U.S. PATENT DOCUMENTS**

D374,189 S	10/1996	Hubben	
D391,184 S	2/1998	Kawabata	
D412,924 S *	8/1999	Hiraguchi	..... D16/219
D416,273 S *	11/1999	Yamakawa et al.	..... D16/203
D425,535 S	5/2000	Mutoh et al.	
6,064,430 A	5/2000	Lefkowitz	
D426,250 S	6/2000	Lefkowitz	
D449,630 S *	10/2001	Rak et al.	..... D16/203
D450,075 S	11/2001	Uehara	
D452,696 S *	1/2002	Fenton	..... D16/203
6,715,940 B2 *	4/2004	Top et al.	..... 396/427

D494,992 S	8/2004	Seo	
D499,125 S *	11/2004	Adachi et al.	..... D16/203
D499,126 S	11/2004	Kato et al.	
D513,028 S *	12/2005	Maruyama	..... D16/203
7,217,045 B2	5/2007	Jones	

**FOREIGN PATENT DOCUMENTS**

JP	D1214369	7/2004
JP	D1222623	11/2004
TW	D104308	4/2005
TW	D112306	8/2006
TW	D113100	9/2006

\* cited by examiner

*Primary Examiner*—Adir Aronovich

(74) *Attorney, Agent, or Firm*—Volpe and Koenig, P.C.

(57) **CLAIM**

The ornamental design for a surveillance camera housing, as shown and described.

**DESCRIPTION**

FIG. 1 is a top and front perspective view of a surveillance camera housing showing my new design;

FIG. 2 is a bottom front perspective view thereof;

FIG. 3 is a top plan view thereof;

FIG. 4 is a front elevational view thereof;

FIG. 5 is a right side elevational view thereof;

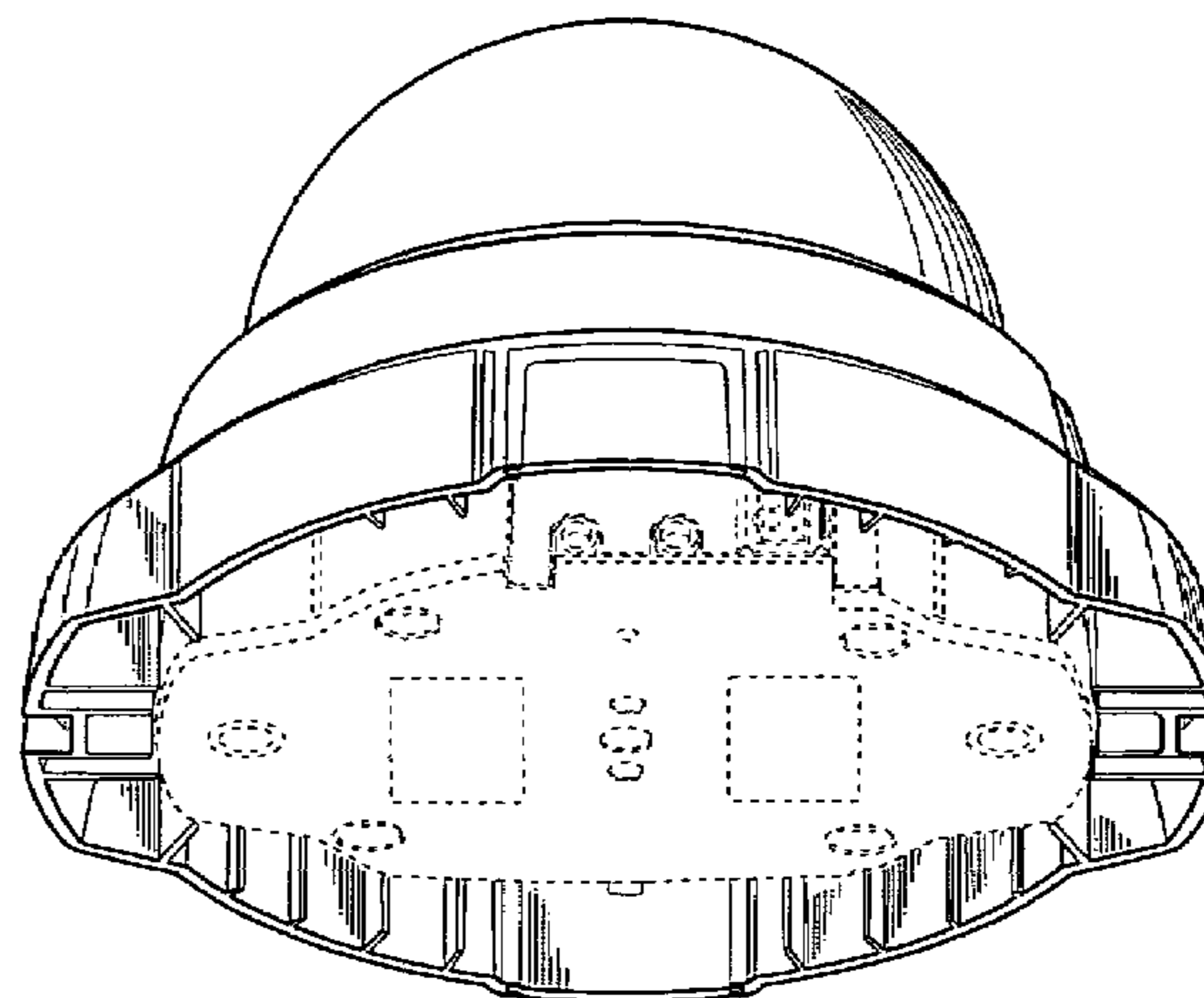
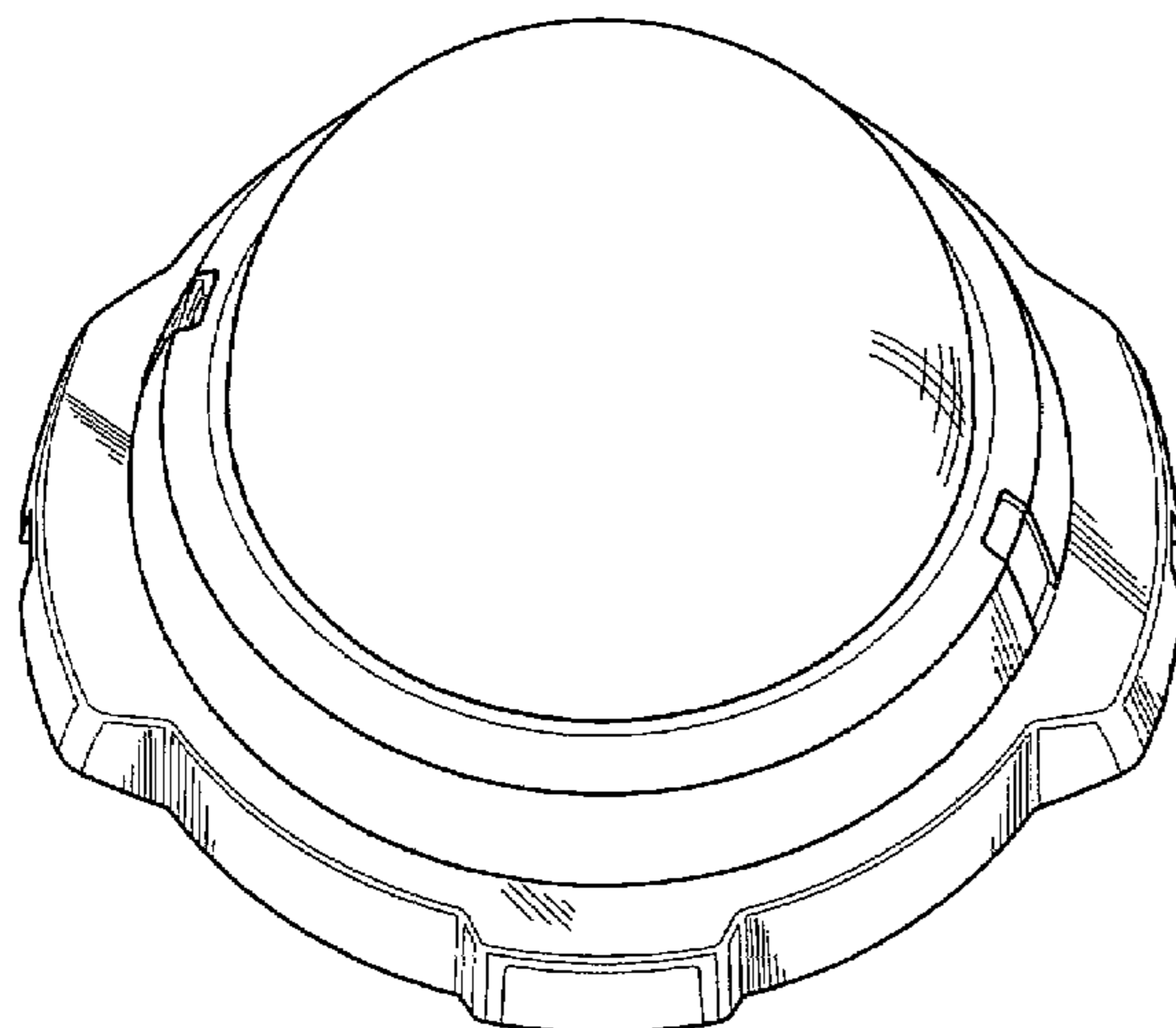
FIG. 6 is a bottom plan view thereof;

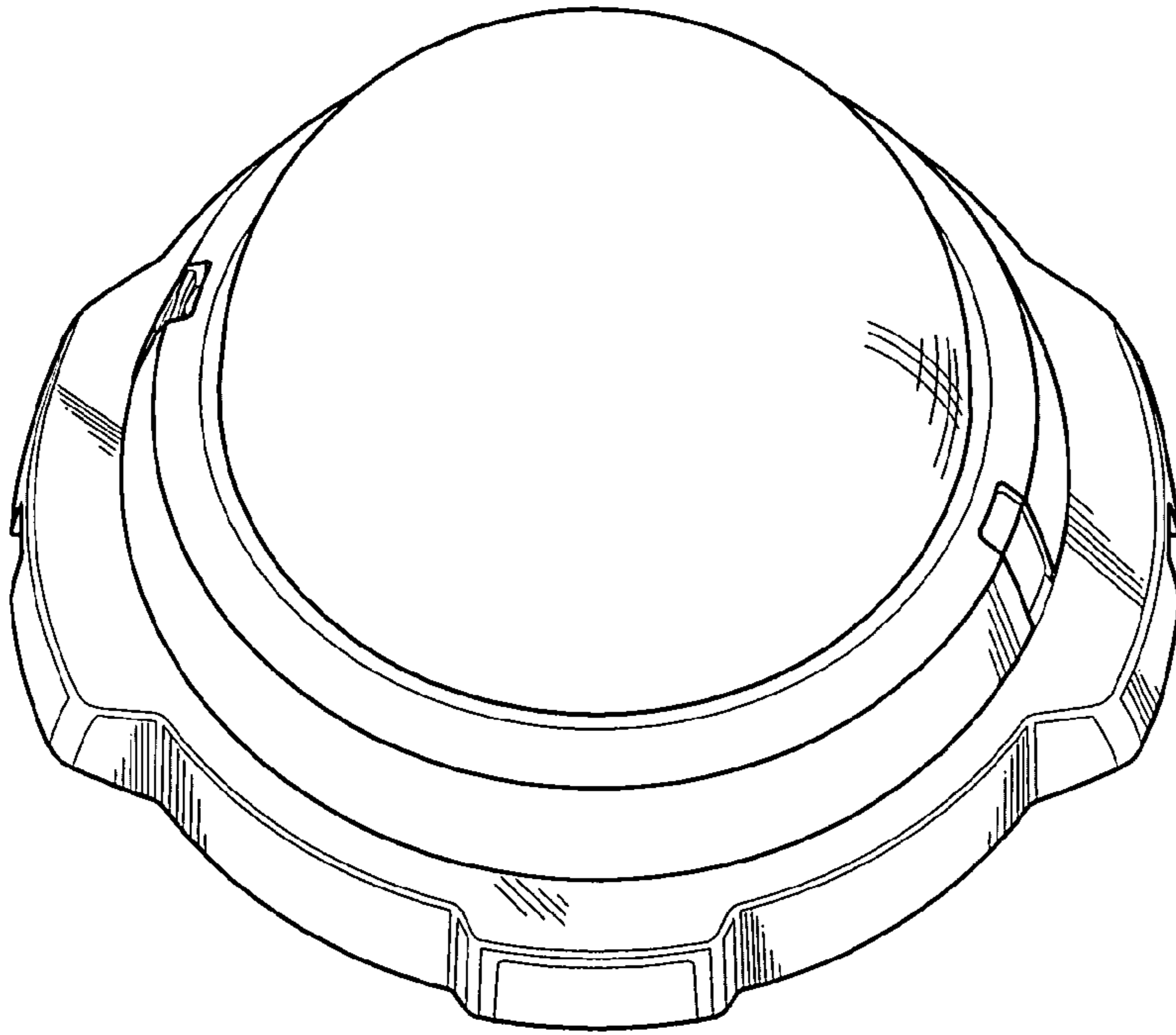
FIG. 7 is a left side elevational view thereof; and,

FIG. 8 is a rear elevational view thereof.

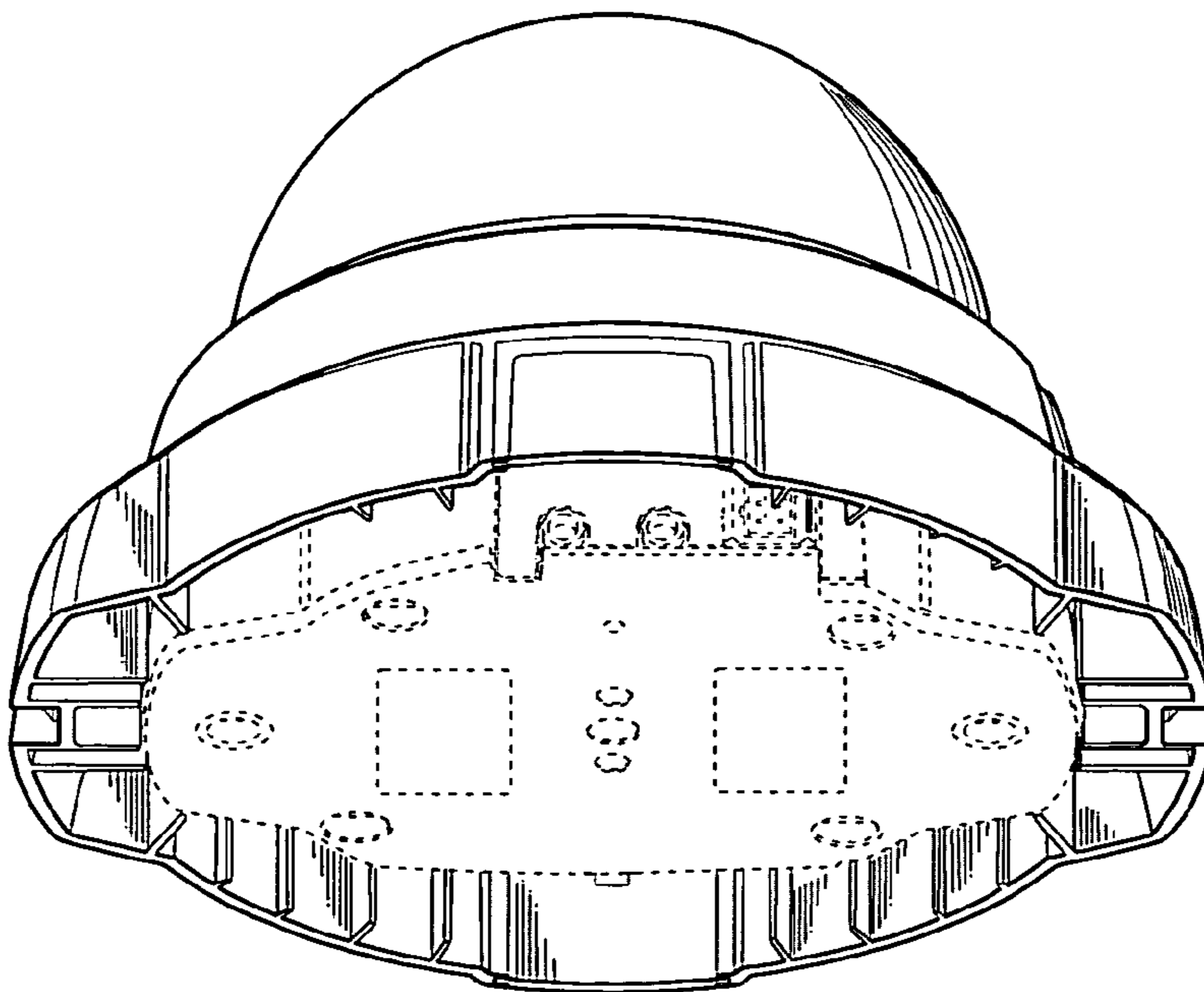
The portions of the surveillance camera housing in broken lines are shown for illustrative purposes only and form no part of the claimed design.

**1 Claim, 4 Drawing Sheets**

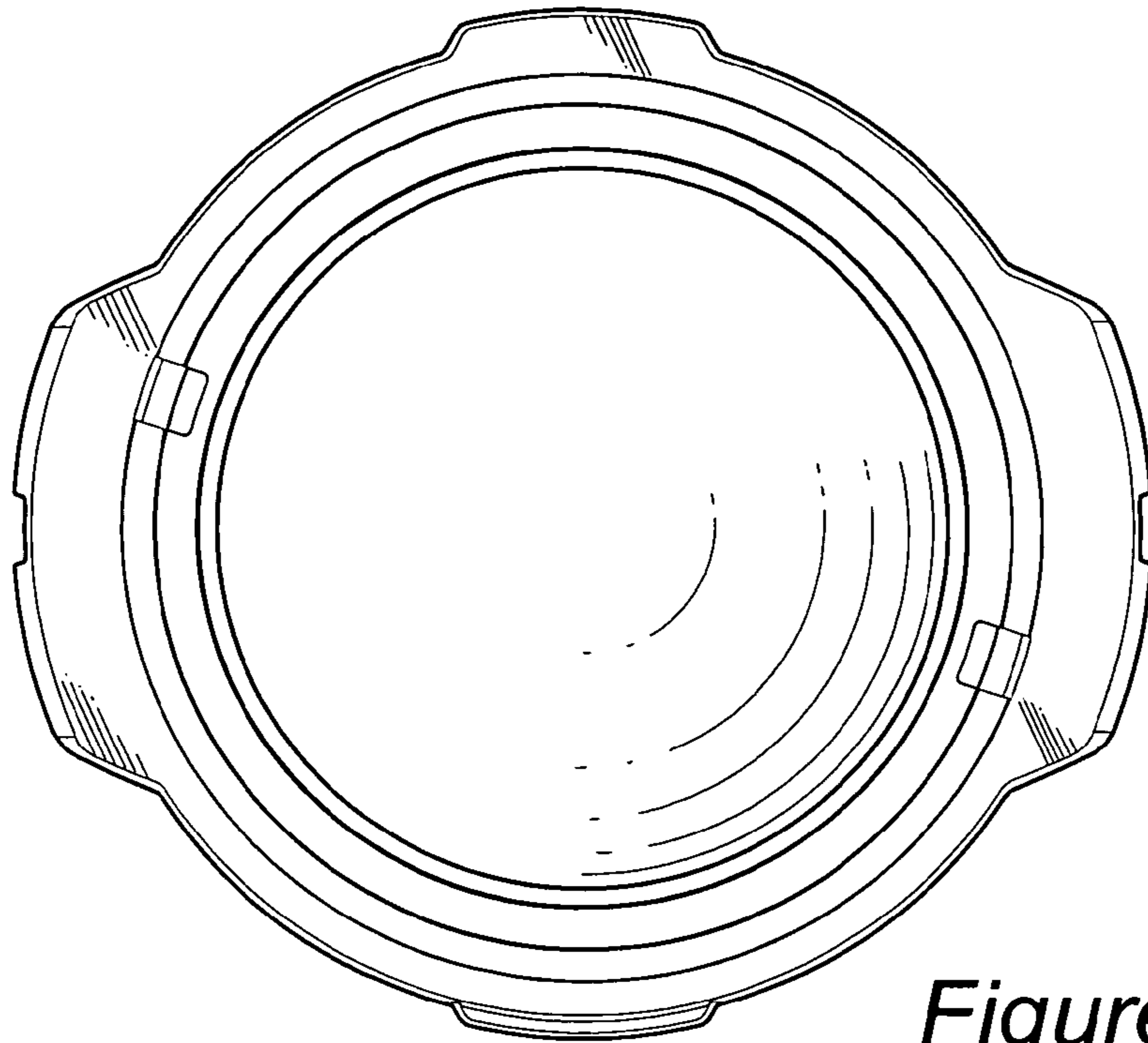




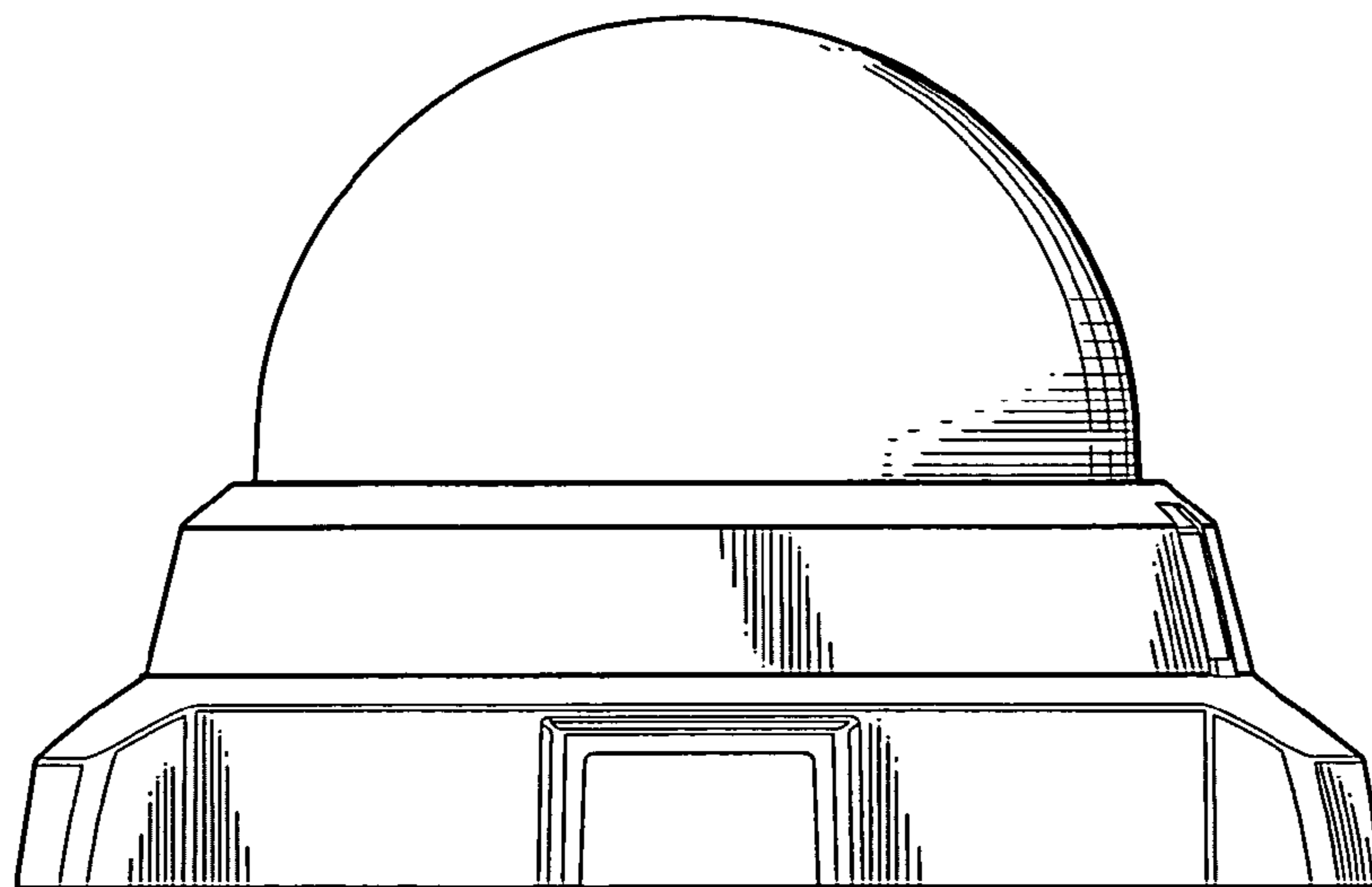
*Figure 1*



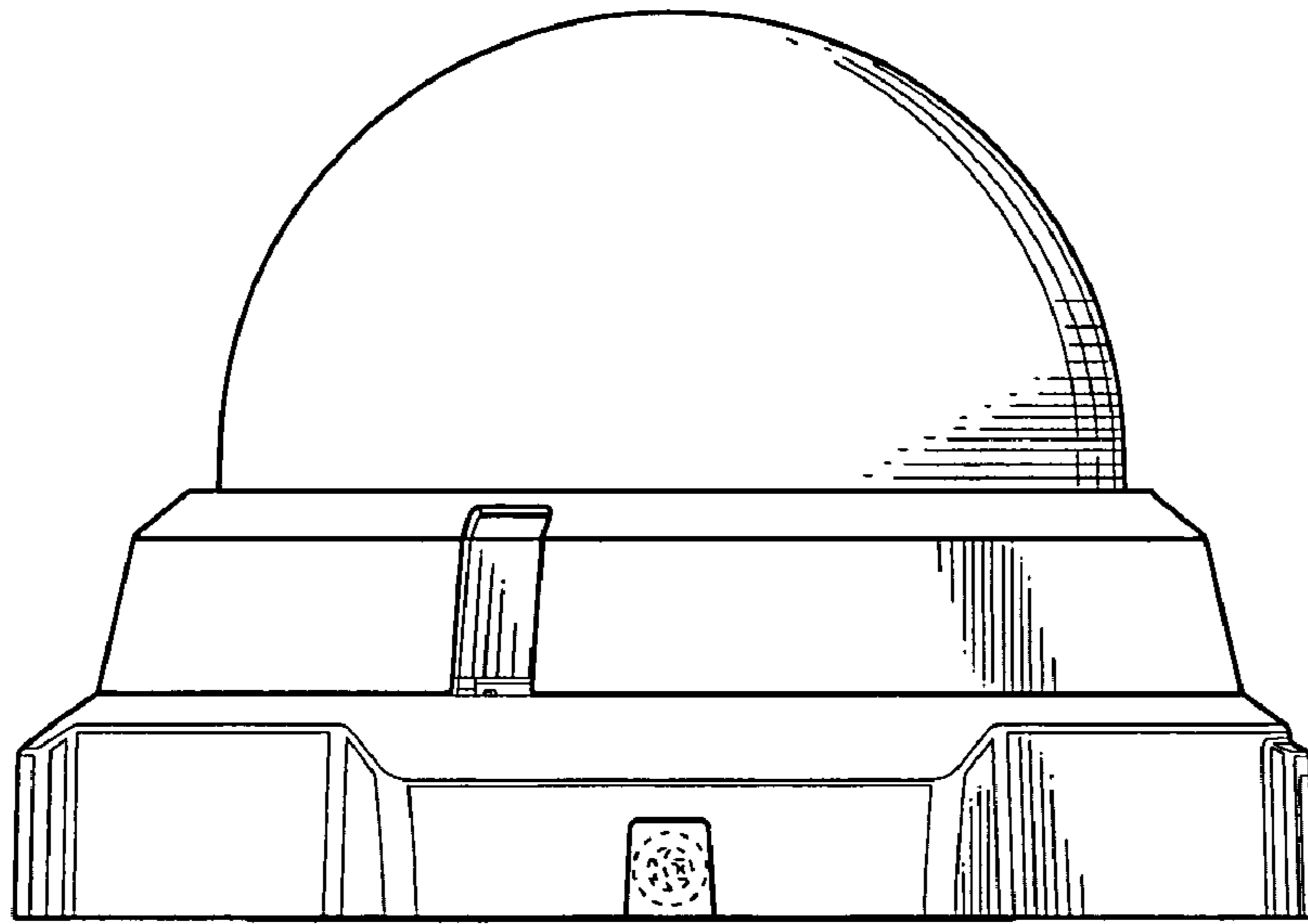
*Figure 2*



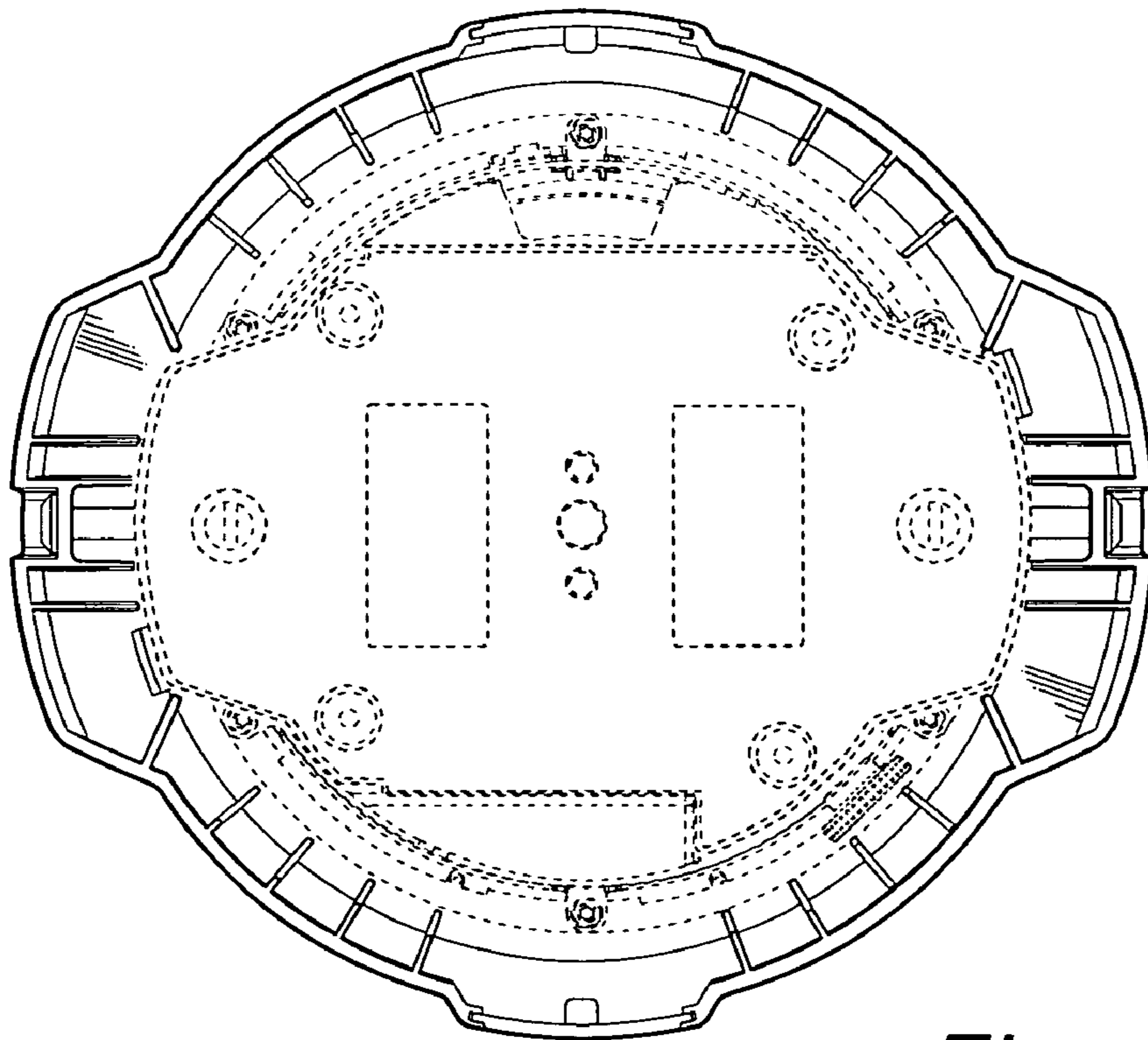
*Figure 3*



*Figure 4*

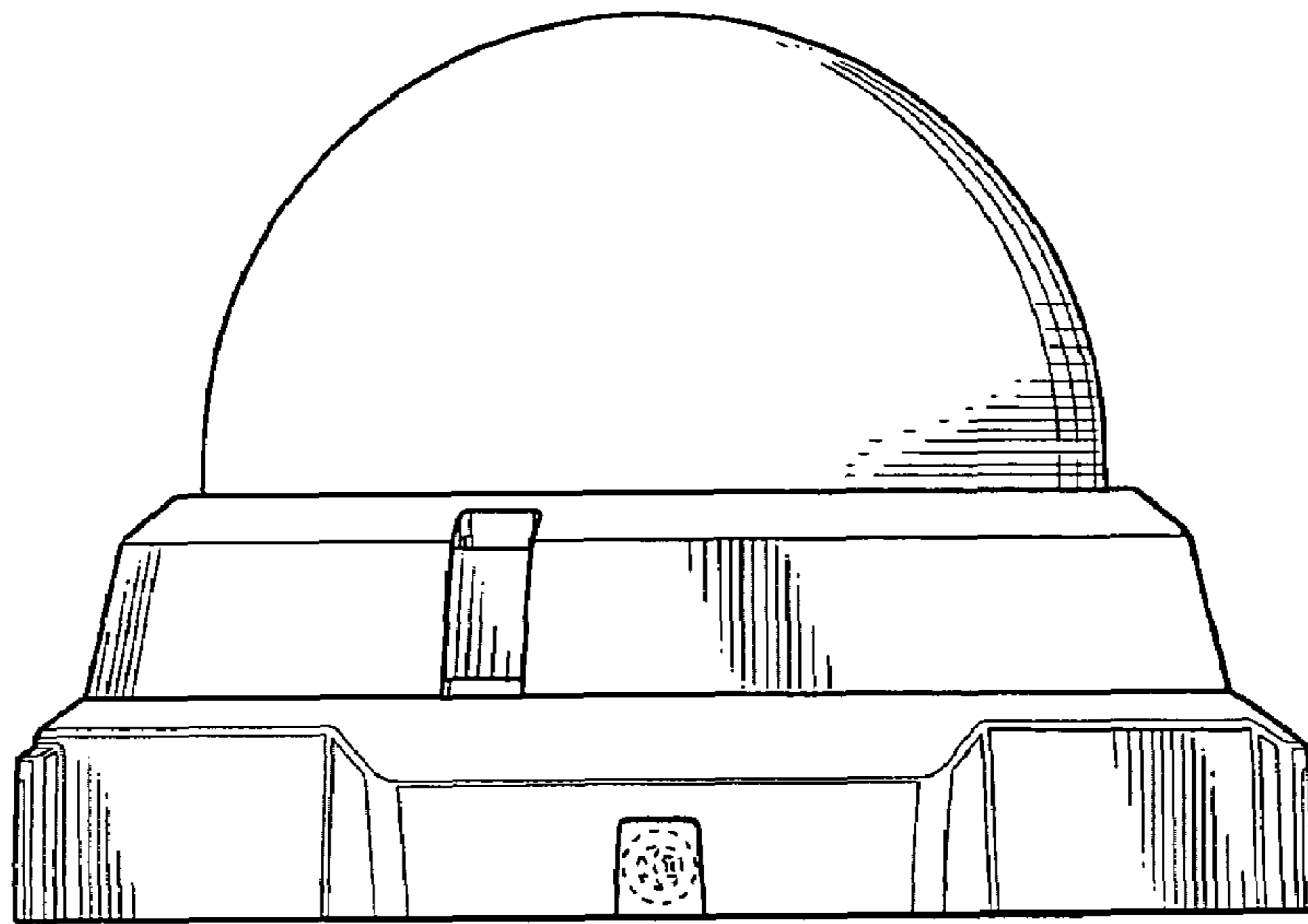


*Figure 5*

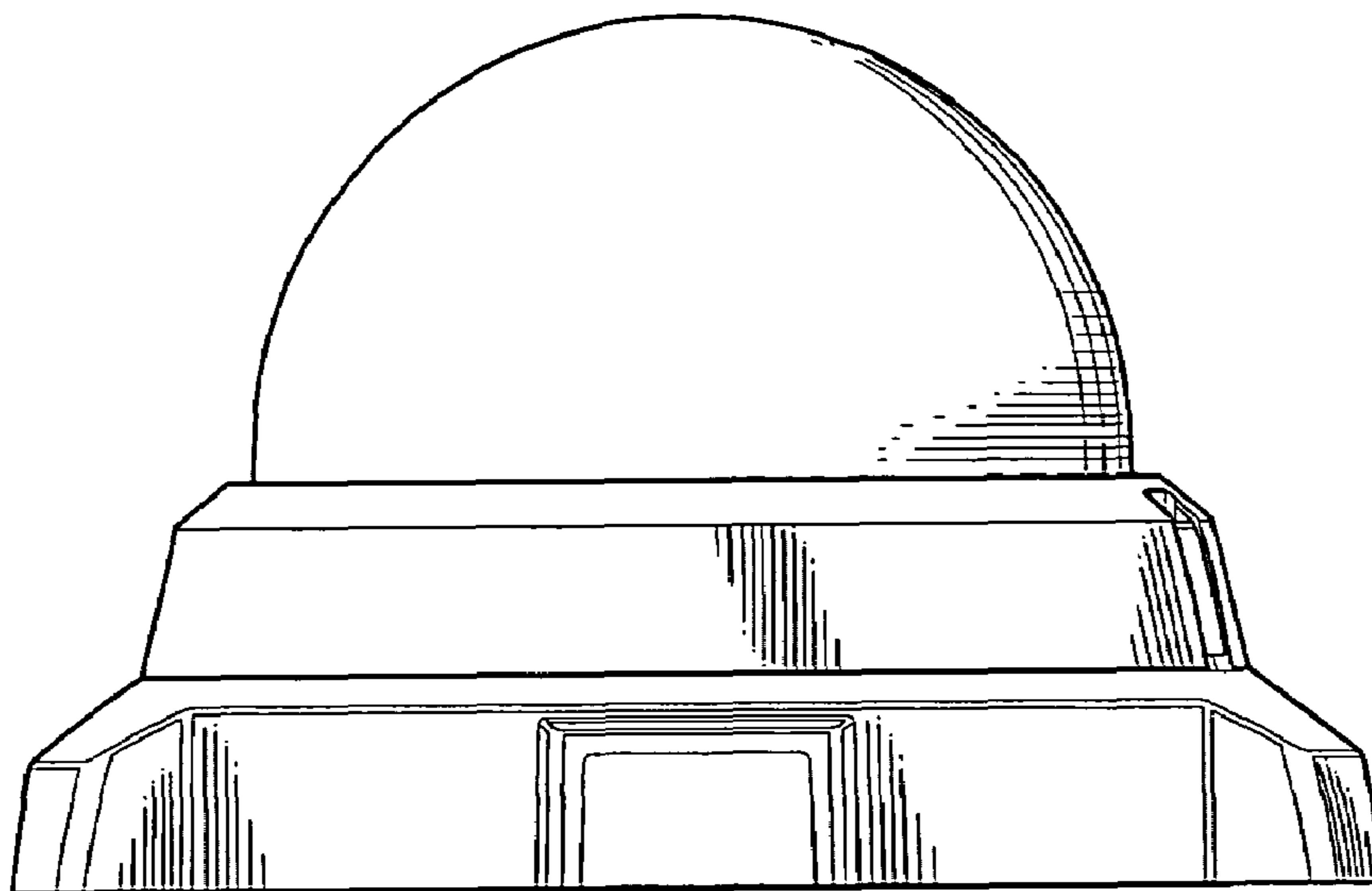


*Figure 6*





*Figure 7*



*Figure 8*