



US00D575808S

(12) **United States Design Patent**
Zeiler et al.

(10) **Patent No.:** **US D575,808 S**

(45) **Date of Patent:** **** Aug. 26, 2008**

(54) **CUTTING TOOL**

(75) Inventors: **Jeffrey M. Zeiler**, Hong Kong (HK);
David B. Griep, Rubicon, WI (US);
Mark D. Willer, Brookfield, WI (US)

(73) Assignee: **Milwaukee Electric Tool Corporation**,
Brookfield, WI (US)

(**) Term: **14 Years**

(21) Appl. No.: **29/278,214**

(22) Filed: **Mar. 22, 2007**

D239,519 S	4/1976	Townsend	
4,090,807 A *	5/1978	Stewart 408/213
4,239,427 A	12/1980	Walton, II	
4,244,667 A	1/1981	Timmons	
4,367,991 A	1/1983	Grafe et al.	
4,406,334 A	9/1983	Baumann et al.	
4,419,032 A	12/1983	Flowers	
4,536,107 A	8/1985	Sandy et al.	
4,589,807 A	5/1986	Martin	
4,625,593 A	12/1986	Schmotzer	
4,752,161 A	6/1988	Hill	
4,768,901 A	9/1988	Reinauer et al.	
D298,633 S	11/1988	Kenemore	

(Continued)

Related U.S. Application Data

(63) Continuation-in-part of application No. 11/681,546,
filed on Mar. 2, 2007, and a continuation-in-part of
application No. 11/681,553, filed on Mar. 2, 2007.

(51) **LOC (8) Cl.** **15-09**

(52) **U.S. Cl.** **D15/139**

(58) **Field of Classification Search** D8/70;
D15/127, 138, 139, 140; 408/200-225, 227
See application file for complete search history.

(56) **References Cited**

U.S. PATENT DOCUMENTS

371,954 A	10/1887	Larger	
632,560 A	9/1899	Furbish	
1,787,229 A	12/1930	Zimmermann	
2,172,070 A	9/1939	Palmgren	
2,179,070 A	11/1939	Weise	
2,577,987 A	12/1951	Wilson	
2,593,823 A	4/1952	Wilson	
2,779,361 A	1/1957	McKiff	
2,794,469 A	6/1957	Shortell	
3,165,131 A	1/1965	Mackay	
3,262,474 A	7/1966	Enders	
3,390,596 A	7/1968	Trevathan	
3,609,056 A	9/1971	Hougen	
3,610,768 A *	10/1971	Cochran 408/204
3,648,508 A	3/1972	Hougen	
3,687,565 A	8/1972	Byers et al.	
3,945,753 A	3/1976	Byers et al.	

FOREIGN PATENT DOCUMENTS

CA 2097971 12/1994

(Continued)

Primary Examiner—Sandra Snapp
Assistant Examiner—Patricia Palasik
(74) *Attorney, Agent, or Firm*—Michael Best & Friedrich
LLP

(57) **CLAIM**

I claim the ornamental design for a cutting tool, as shown and
described.

DESCRIPTION

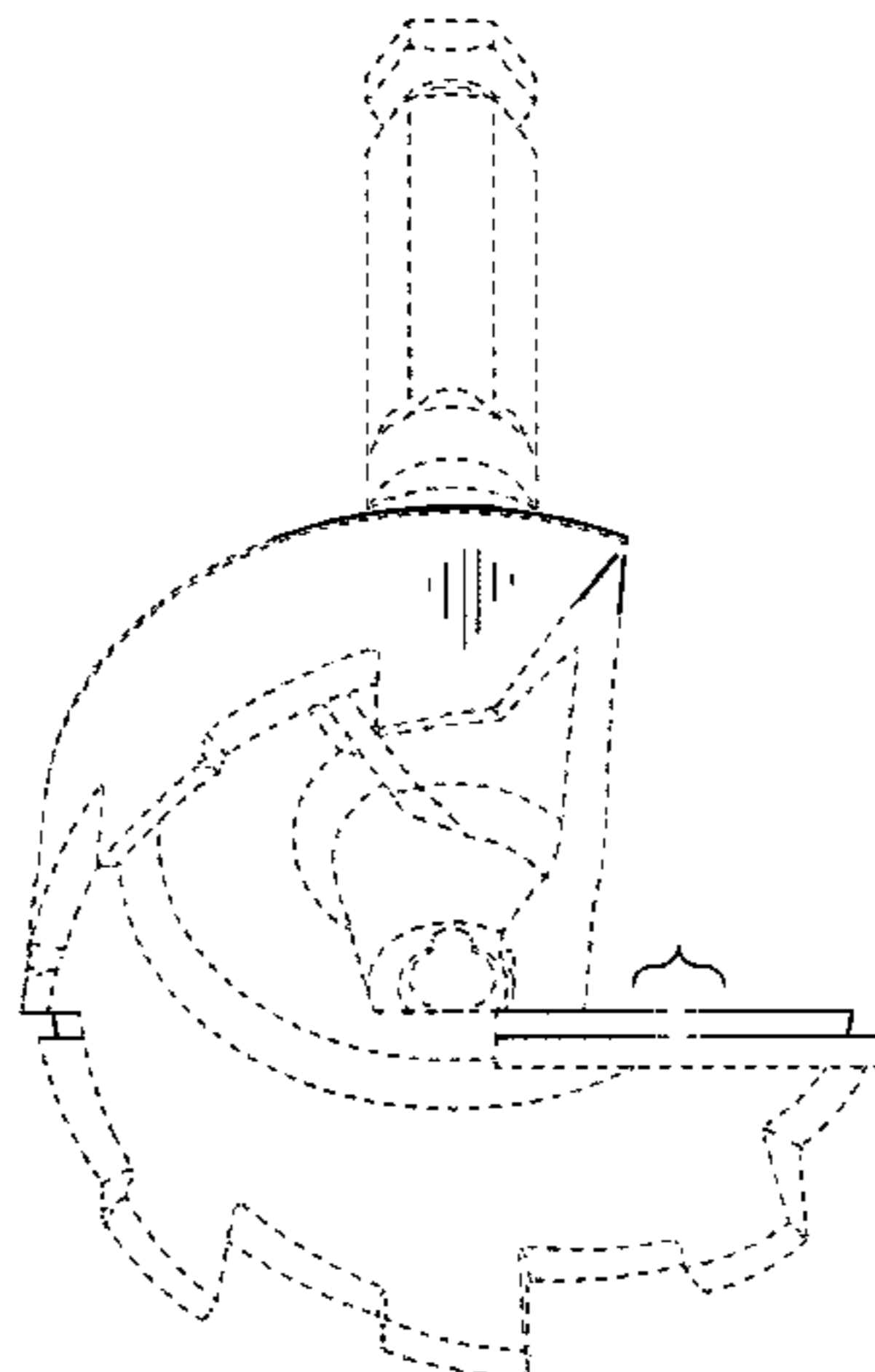
FIG. 1 is a perspective view of a cutting tool with the cutting
edge shown broken away to indicate indeterminate length.

FIG. 2 is a right side view of the cutting tool shown in FIG. 1;
and,

FIG. 3 is a left side view of the cutting tool shown in FIG. 1.

The present application is directed to independent features of
the shape and contour of the design illustrated in the draw-
ings. The broken line showing of the cutting tool and the
bracket are included for the purposes of illustrating portions
of the cutting tool and form no part of the claimed design.

1 Claim, 2 Drawing Sheets



US D575,808 S

U.S. PATENT DOCUMENTS

4,841,824	A	6/1989	Hartmann et al.	6,652,202	B2	11/2003	Remke et al.
4,900,202	A	2/1990	Wienhold	6,659,473	B2	12/2003	Below et al.
4,968,193	A	11/1990	Chaconas et al.	6,695,321	B2	2/2004	Bedi et al.
5,011,344	A	4/1991	Johnson	6,705,807	B1	3/2004	Rudolph et al.
5,013,194	A	5/1991	Wienhold	6,722,667	B2	4/2004	Cantlon
5,193,951	A	3/1993	Schimke	6,817,429	B2	11/2004	Sollami
D338,607	S	8/1993	Anderson	6,874,978	B2*	4/2005	Gongola 408/144
5,288,183	A	2/1994	Chaconas et al.	6,874,987	B2	4/2005	Gongola
D347,150	S	5/1994	Falconbridge	6,929,434	B2	8/2005	Prokop
5,358,361	A	10/1994	Jurski	D509,519	S	9/2005	Sollami
5,423,640	A	6/1995	Lindblom et al.	6,959,631	B2	11/2005	Sako
5,570,978	A	11/1996	Rees et al.	6,968,912	B2	11/2005	Sollami et al.
5,586,847	A	12/1996	Mattern, Jr. et al.	D513,273	S	12/2005	Sollami
5,649,794	A	7/1997	Kress et al.	D515,115	S	2/2006	Sollami
5,695,304	A	12/1997	Ebert	D522,339	S	6/2006	Kimura
D392,297	S*	3/1998	Brutscher D15/139	7,100,714	B1	9/2006	Sollami
5,803,677	A*	9/1998	Brutscher et al. 408/204	7,168,511	B2	1/2007	Woods et al.
5,807,039	A	9/1998	Booher et al.	D551,269	S*	9/2007	Burke, III D15/139
5,813,802	A	9/1998	Ajimi et al.	7,331,096	B2	2/2008	Kugler et al.
5,820,319	A	10/1998	Hull et al.	2001/0013430	A1	8/2001	Hauptmann et al.
5,829,540	A	11/1998	Peay et al.	2001/0019687	A1	9/2001	Eberhard
D416,567	S	11/1999	Vogelsanger	2002/0081165	A1	6/2002	Hecht
5,975,814	A	11/1999	Pomp	2002/0106254	A1	8/2002	Rudolph
6,024,520	A	2/2000	Haughton et al.	2002/0141838	A1	10/2002	Thomas et al.
D422,459	S	4/2000	Webb et al.	2003/0068208	A1*	4/2003	Eberhard 408/227
6,045,302	A	4/2000	Orr	2003/0103822	A1*	6/2003	Wirth et al. 408/203.5
6,053,675	A	4/2000	Holland et al.	2003/0230862	A1	12/2003	Peters et al.
6,109,841	A	8/2000	Johne	2004/0042861	A1	3/2004	Capstran
6,179,718	B1	1/2001	Morath et al.	2004/0101376	A1	5/2004	Shemeta
D438,219	S*	2/2001	Brutscher D15/139	2004/0101379	A1	5/2004	Mabuchi et al.
6,199,872	B1	3/2001	Hasan	2004/0175244	A1	9/2004	Otten
6,261,033	B1	7/2001	Thames et al.	2004/0179912	A1	9/2004	Quanz
6,270,297	B1	8/2001	Fang et al.	2004/0265080	A1	12/2004	Danielsson et al.
6,302,408	B1	10/2001	Zierpka	2005/0025594	A1	2/2005	Lindblom
6,347,914	B1	2/2002	Boyle et al.	2005/0105981	A1	5/2005	Byrley et al.
6,354,177	B2	3/2002	Peters	2005/0135887	A1	6/2005	Borschert et al.
6,354,773	B1	3/2002	Konen	2005/0249562	A1	11/2005	Frejd
6,354,774	B1	3/2002	Haughton et al.	2005/0249563	A1	11/2005	Scott et al.
6,394,714	B2	5/2002	Eberhard	2007/0172325	A1*	7/2007	Ebert 408/227
6,394,715	B1	5/2002	Boyle et al.	2007/0212179	A1*	9/2007	Khangar et al. 408/204
D459,741	S	7/2002	Erickson	2007/0277656	A1*	12/2007	Zeiler et al. 83/13
6,457,916	B2	10/2002	Wienhold	2008/0008548	A1*	1/2008	Corso et al. 408/213
6,488,452	B1	12/2002	Hoskins et al.				
6,511,268	B1	1/2003	Vasudeva et al.				
6,543,789	B2	4/2003	Frenzel et al.				
6,543,959	B1	4/2003	Jore				
6,561,523	B1	5/2003	Wienhold				
6,568,876	B2	5/2003	Augustin				
6,599,063	B1	7/2003	Capstran				
6,612,788	B2	9/2003	Thomas et al.				

FOREIGN PATENT DOCUMENTS

CA	2313749	9/2001
DE	282475	8/1913
EP	0870561	10/1998
GB	674018	6/1852
GB	791571	3/1958
JP	11-179720	7/1999

* cited by examiner

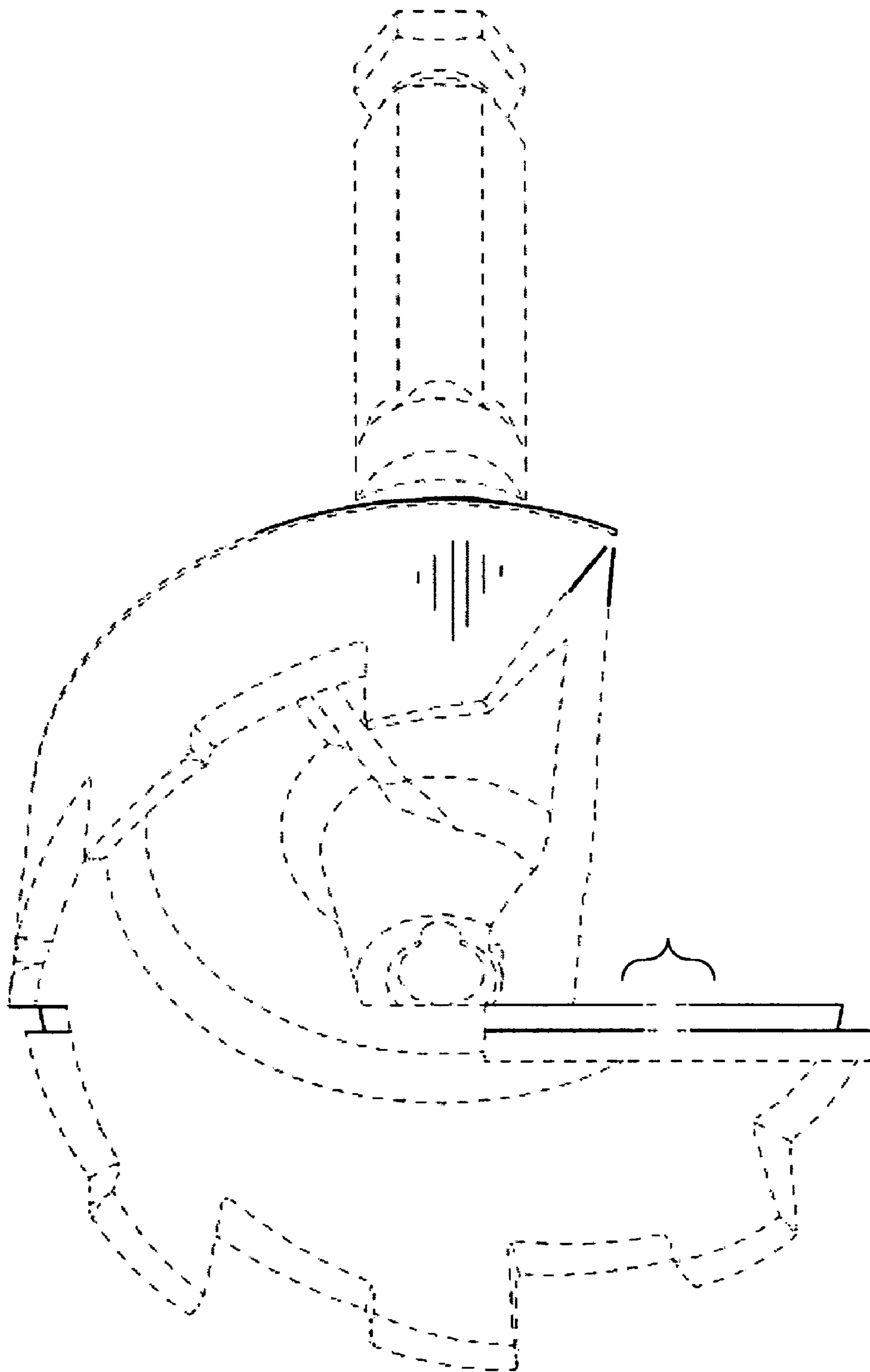


FIG. 1

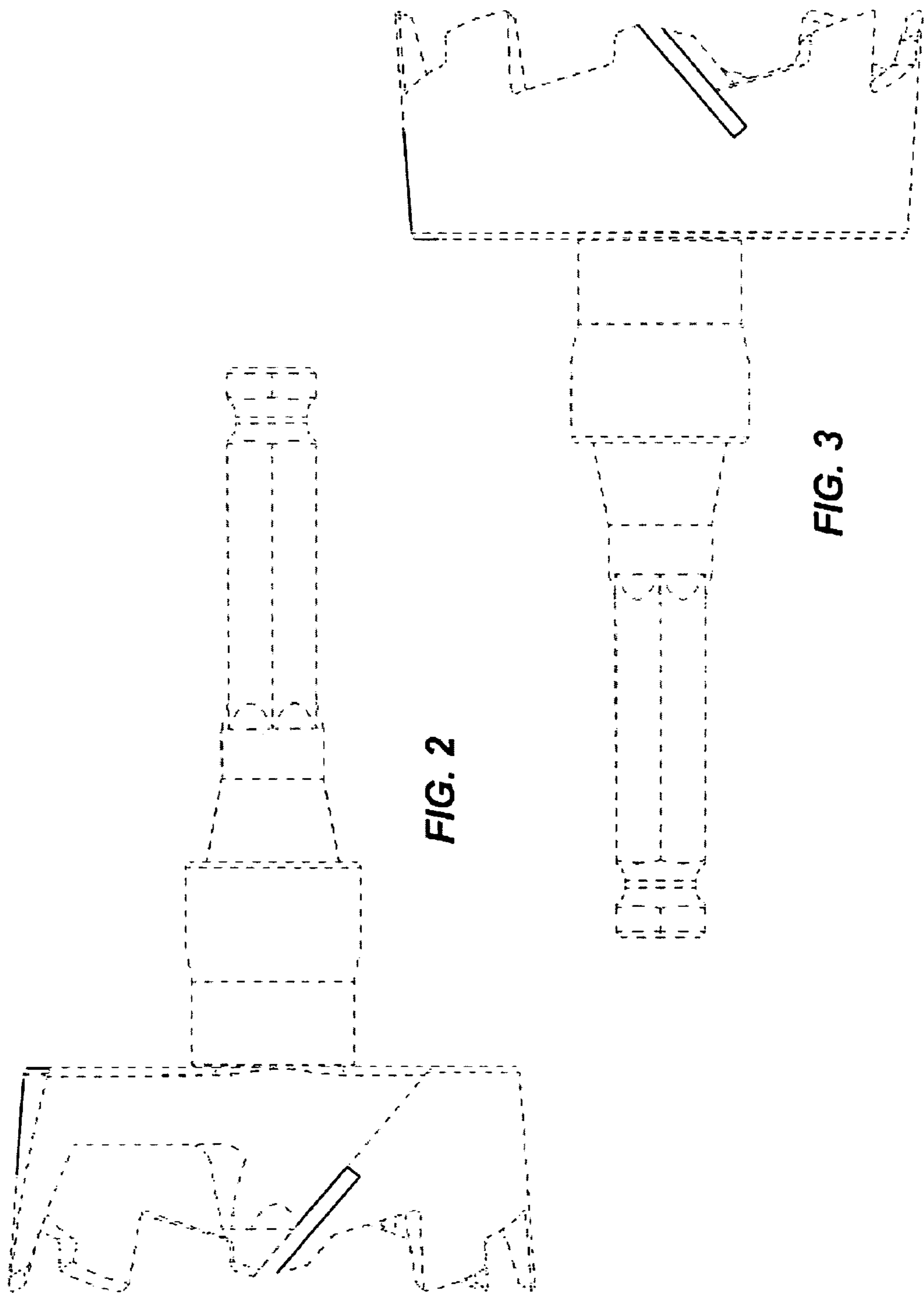


FIG. 2

FIG. 3