



US00D575807S

(12) **United States Design Patent**  
**Lin et al.**

(10) **Patent No.:** **US D575,807 S**

(45) **Date of Patent:** **\*\* Aug. 26, 2008**

(54) **DYNAMIC RING CLASSIFIER FOR A COAL PULVERIZER**

4,504,019 A \* 3/1985 Newell et al. .... 241/73  
4,919,795 A 4/1990 Fujii et al.  
5,025,930 A 6/1991 Barthelmess et al.  
5,289,978 A 3/1994 Lundquist

(75) Inventors: **Qingsheng Lin**, Holden, MA (US);  
**Craig A. Penterson**, Sutton, MA (US);  
**Daniel P. Smith**, Spencer, MA (US);  
**Richard N. Du Verger**, Danielson, CT (US)

(Continued)

(73) Assignee: **Riley Power, Inc.**, Worcester, MA (US)

**OTHER PUBLICATIONS**

(\*\*) Term: **14 Years**

L.M. Benson, C.A. Penterson, A. Comparison of Three Types of Coal Pulverizers, Presented to American Power Conference, Chicago, Illinois, Apr. 22-24, 1985, (8 pages, Riley Stoker Corporation, Worcester, Mass).

(21) Appl. No.: **29/289,038**

*Primary Examiner*—Sandra Snapp  
*Assistant Examiner*—Patricia Palasik

(22) Filed: **Jul. 2, 2007**

(74) *Attorney, Agent, or Firm*—Edwards Angell Palmer & Dodge LLP

**Related U.S. Application Data**

(57) **CLAIM**

(63) Continuation of application No. 11/405,232, filed on Apr. 17, 2006, now Pat. No. 7,240,868, which is a continuation of application No. 10/699,982, filed on Nov. 3, 2003, now Pat. No. 7,028,931.

The ornamental design for a dynamic ring classifier for a coal pulverizer, as shown and described in the attached specification.

(51) **LOC (8) Cl.** ..... **15-09**

**DESCRIPTION**

(52) **U.S. Cl.** ..... **D15/123**

FIG. 1 is a perspective view of a classifier assembly according to an embodiment of the present invention.

(58) **Field of Classification Search** ..... D15/123,  
D15/126, 138, 139; 209/134, 139.1, 713;  
241/52, 56, 61, 79.1, 80, 82, 188.1, 188.2,  
241/190, 194, 197, 300; 251/214, 305; 277/399;  
384/147, 207

FIG. 2 is a rear view of the classifier assembly of FIG. 1, illustrating the adjustable flange, radially outward extending elongate arms, rotator and stator.

See application file for complete search history.

FIG. 3 is a section of the stator and rotator portions of the classifier assembly of FIG. 1 within an enlarged partial detailed view, illustrating the labyrinth seal formed by the stator and rotator; and,

(56) **References Cited**

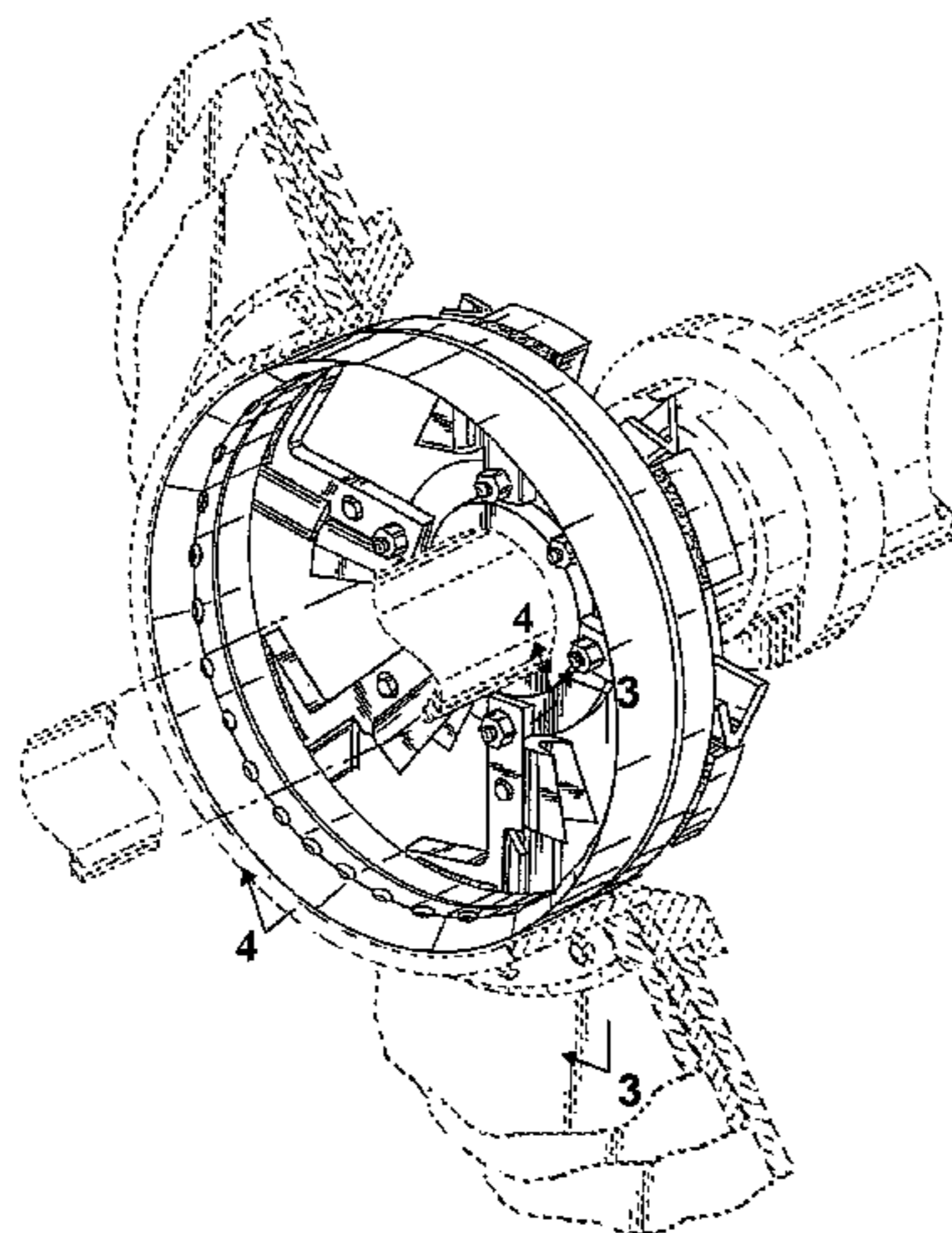
**U.S. PATENT DOCUMENTS**

1,628,609 A 5/1927 Newhouse  
1,834,094 A \* 12/1931 Fraser ..... 241/48  
2,625,332 A 1/1953 Rogers et al.  
2,628,038 A 2/1953 Rogers et al.  
2,639,863 A 5/1953 Rogers  
3,050,018 A 8/1962 Pearson  
3,092,337 A 6/1963 Patterson  
4,424,938 A 1/1984 Day  
4,485,975 A 12/1984 Eigner et al.

FIG. 4 is a section of the stator and rotator portions of the classifier assembly of FIG. 1 within an enlarged partial detailed view, illustrating the stator and rotator in cross section forming a labyrinthian seal.

The broken lines showing are for illustrative purposes only, to show the environment of the dynamic ring classifier in a coal pulverizer, and form no part of the claimed design.

**1 Claim, 4 Drawing Sheets**



# US D575,807 S

Page 2

---

U.S. PATENT DOCUMENTS							
			7,118,055	B2 *	10/2006	Chang	241/79.1
			7,128,931	B2 *	10/2006	Leblond et al.	424/490
5,348,272	A	9/1994					
			7,240,868	B2 *	7/2007	Lin et al.	241/79.1
5,560,550	A	10/1996					
			7,311,281	B2 *	12/2007	Schmitz et al.	241/188.2
5,873,156	A *	2/1999					
			2003/0141396	A1	7/2003	Whaley	
5,938,045	A	8/1999					
			2006/0180685	A1 *	8/2006	Lin et al.	241/79.1
6,027,057	A	2/2000					
			2007/0108321	A1 *	5/2007	Booth et al.	241/19
6,443,376	B1	9/2002					
6,644,479	B1	11/2003					

\* cited by examiner

Fig. 1

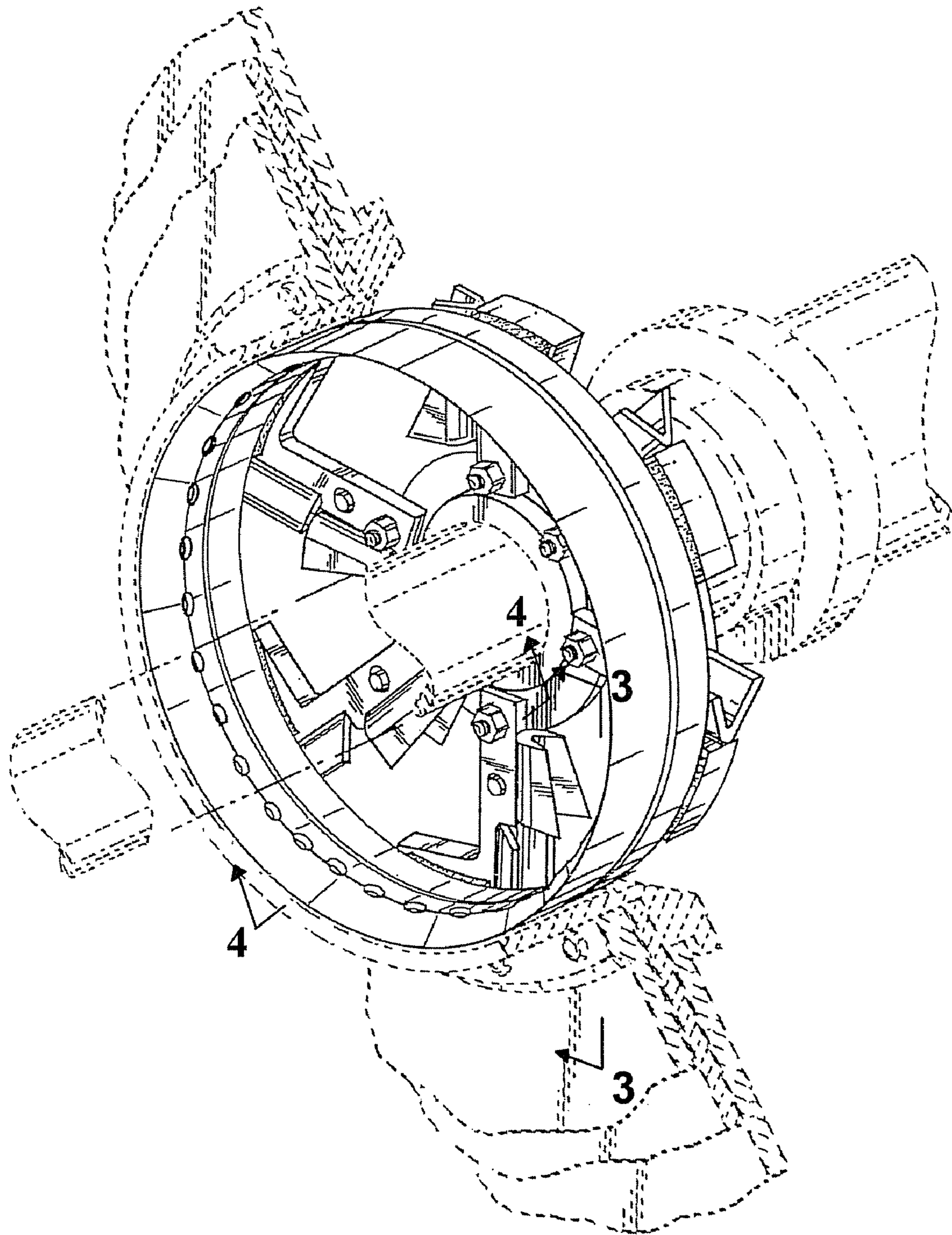


Fig. 2

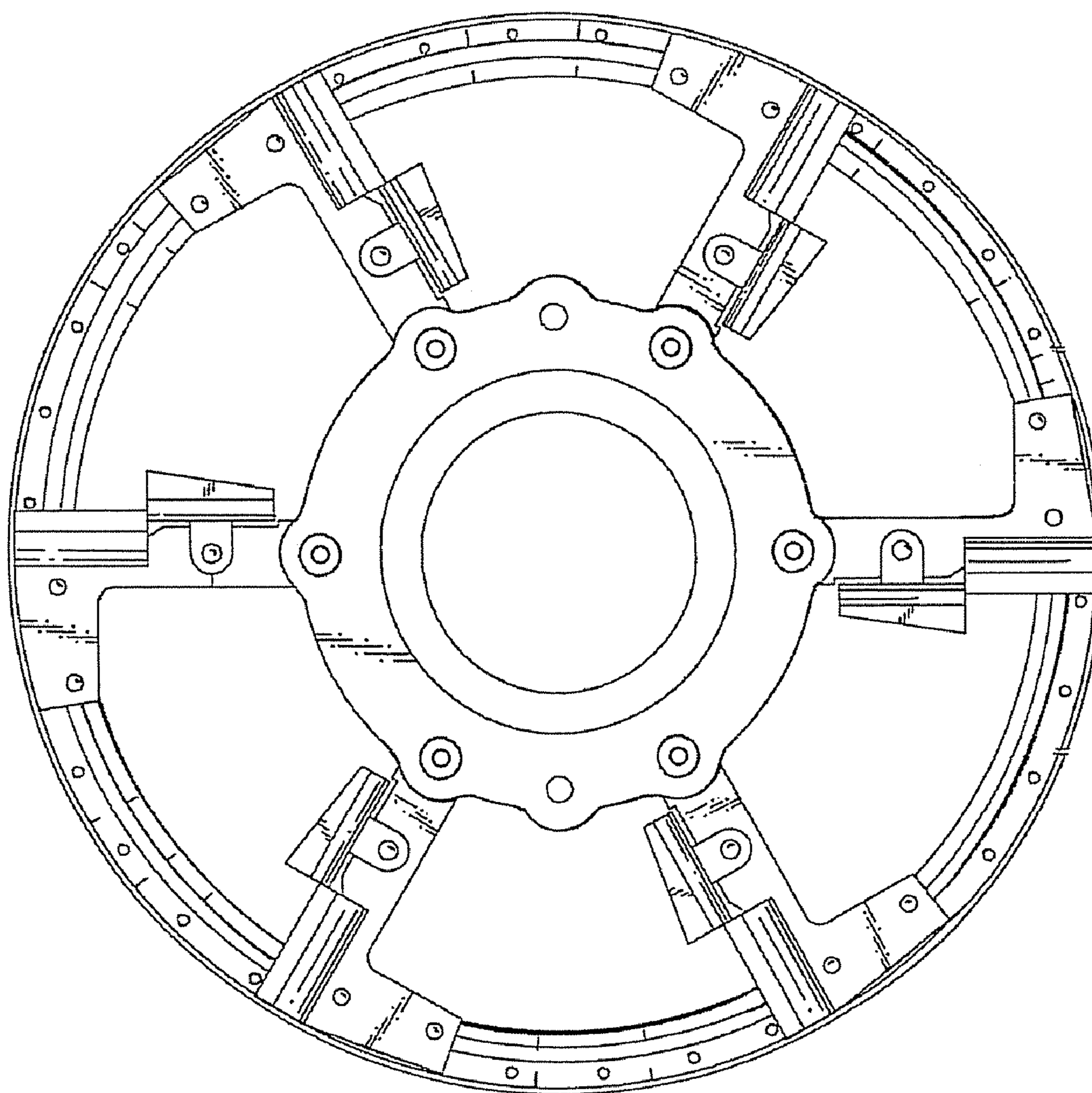
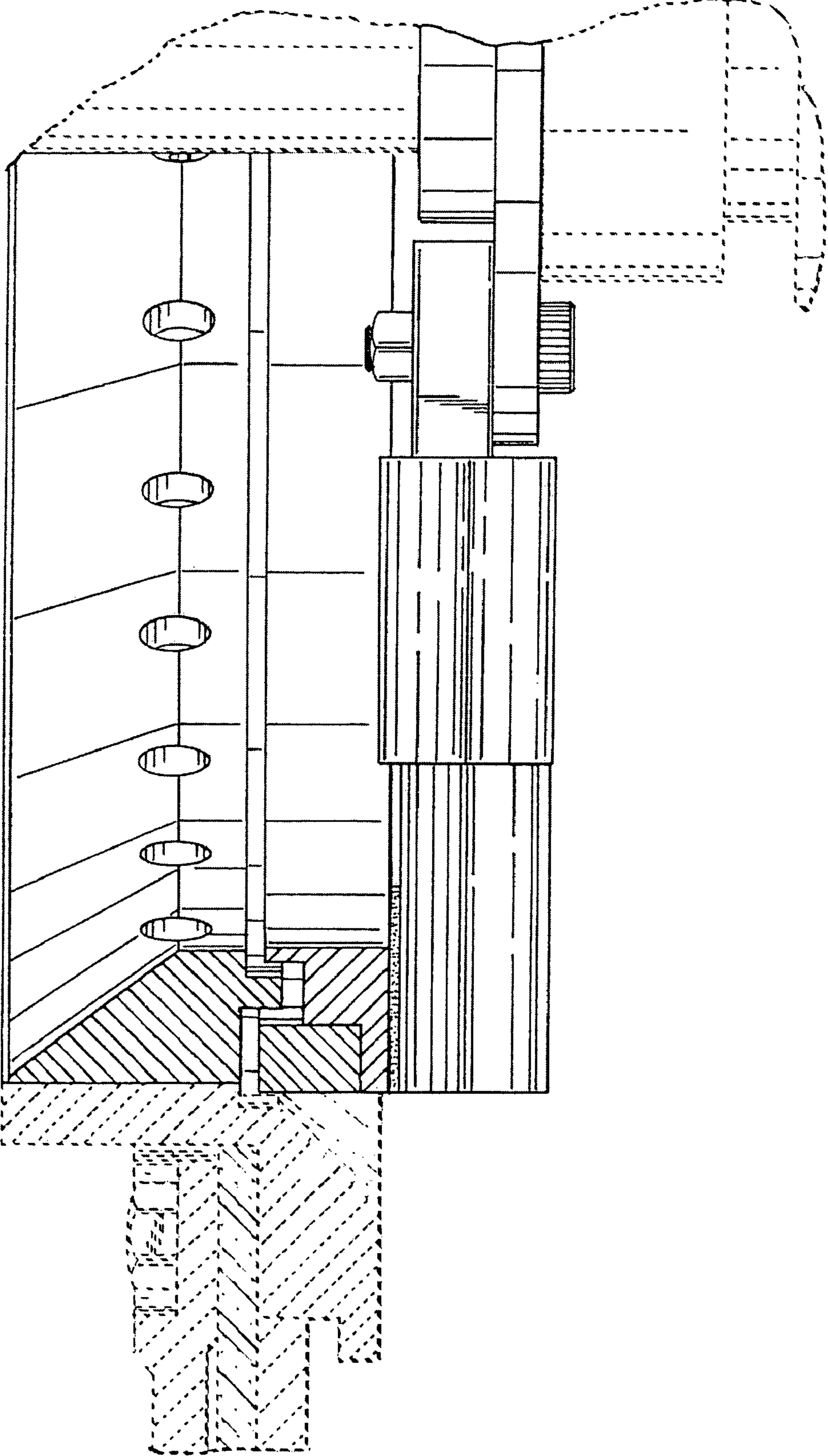


Fig. 3



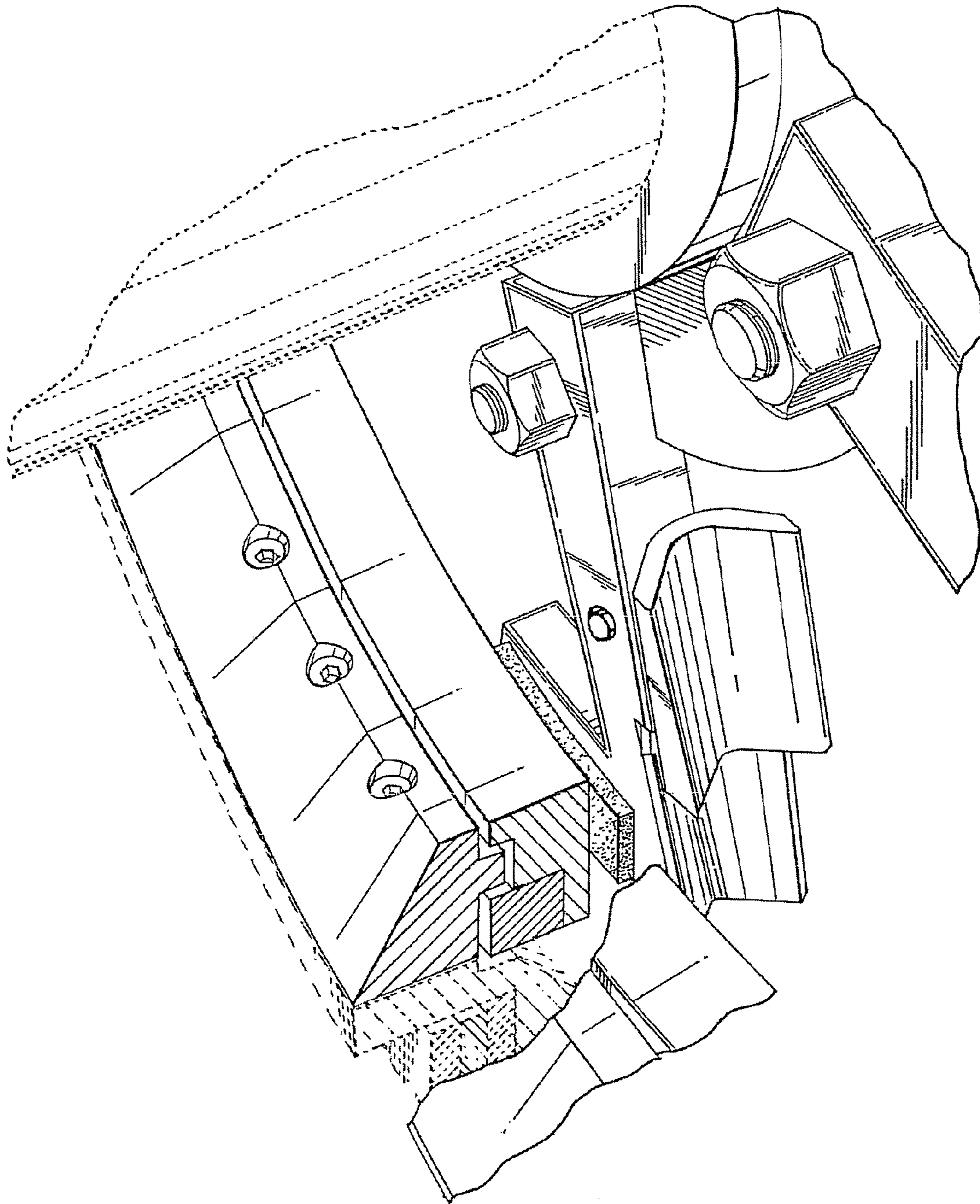


Fig. 4