



US00D575804S

(12) **United States Design Patent**
Murakami et al.

(10) **Patent No.:** **US D575,804 S**
(45) **Date of Patent:** **** Aug. 26, 2008**

(54) **TRAVELING BODY FOR CONSTRUCTION MACHINE**

D518,071 S * 3/2006 Gwak et al. D15/25

FOREIGN PATENT DOCUMENTS

(75) Inventors: **Masaaki Murakami**, Hiroshima (JP);
Shintaro Sakitani, Hiroshima (JP)

JP	1002843	2/1998
JP	1002843-1	3/1999
JP	1002843-2	3/1999
JP	1033812	3/1999
JP	1033812-1	3/1999
JP	1033812-2	3/1999
JP	11-181834	7/1999
JP	1051423	10/1999
JP	1051423-1	10/1999
JP	1051424	10/1999
JP	1051424-1	10/1999
JP	1002843-3	4/2000

(73) Assignee: **Kobelco Construction Machinery Co., Ltd.**, Hiroshima-shi (JP)

(**) Term: **14 Years**

(21) Appl. No.: **29/282,799**

(22) Filed: **Jul. 30, 2007**

(30) **Foreign Application Priority Data**

Jan. 31, 2007	(JP)	D2007-001917
Jan. 31, 2007	(JP)	D2007-001921
Jan. 31, 2007	(JP)	D2007-001925

OTHER PUBLICATIONS

U.S. Appl. No. 29/282,799, filed Jul. 30, 2007, Murakami, et al.
U.S. Appl. No. 29/282,811, filed Jul. 30, 2007, Murakami, et al.
U.S. Appl. No. 29/282,810, filed Jul. 30, 2007, Murakami, et al.
U.S. Appl. No. 29/282,816, filed Jul. 30, 2007, Murakami, et al.

* cited by examiner

(51) **LOC (8) Cl.** **15-03**

(52) **U.S. Cl.** **D15/28**

(58) **Field of Classification Search** D15/10,
D15/22-26, 28, 30, 33; 296/193.03, 193.08;
172/611, 776; 180/69.24, 89.1, 89.12, 89.13,
180/900, 326; 37/443, 479; 414/601, 602,
414/685, 687, 688, 694, 722-724, 699, 680,
414/698, 719, 743

See application file for complete search history.

Primary Examiner—Stella M. Reid

Assistant Examiner—Mark A Goodwin

(74) *Attorney, Agent, or Firm*—Oblon, Spivak, McClelland,
Maier & Neustadt, P.C.

(57) **CLAIM**

The ornamental design for a traveling body for construction machine, as shown.

(56) **References Cited**

U.S. PATENT DOCUMENTS

D391,272 S *	2/1998	Jin et al.	D15/25
D406,152 S *	2/1999	Miyaoka et al.	D15/25
D431,253 S *	9/2000	Marchetta et al.	D15/25
D432,144 S *	10/2000	Kraft et al.	D15/30
D432,145 S *	10/2000	Kraft et al.	D15/30
D433,689 S *	11/2000	Kraft et al.	D15/30
D436,605 S *	1/2001	Shaw et al.	D15/30
6,170,588 B1 *	1/2001	Irino et al.	180/89.1
D450,331 S *	11/2001	Murakami et al.	D15/25
D460,974 S *	7/2002	Murakami et al.	D15/25
6,502,896 B1 *	1/2003	Nakata et al.	296/190.05
D508,498 S *	8/2005	Shimokakiuchi et al.	D15/24

DESCRIPTION

FIG. 1 is a first perspective view of a traveling body for construction machine showing our new design;

FIG. 2 is a second perspective view thereof;

FIG. 3 is a front view thereof;

FIG. 4 is a rear view thereof;

FIG. 5 is a left side view thereof;

FIG. 6 is a right side view thereof;

FIG. 7 is a top view thereof; and,

FIG. 8 is a bottom view thereof.

1 Claim, 4 Drawing Sheets

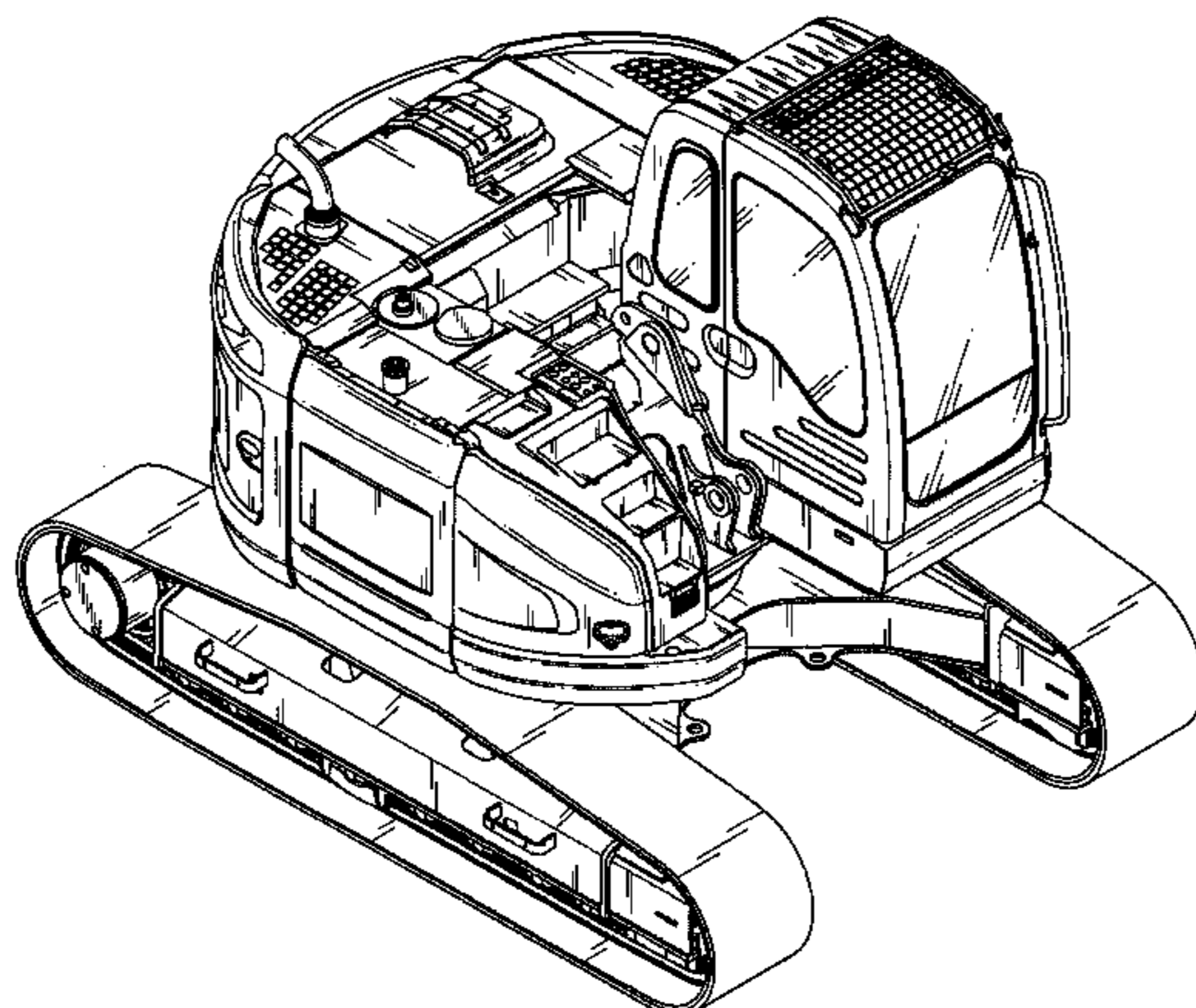


Fig. 1

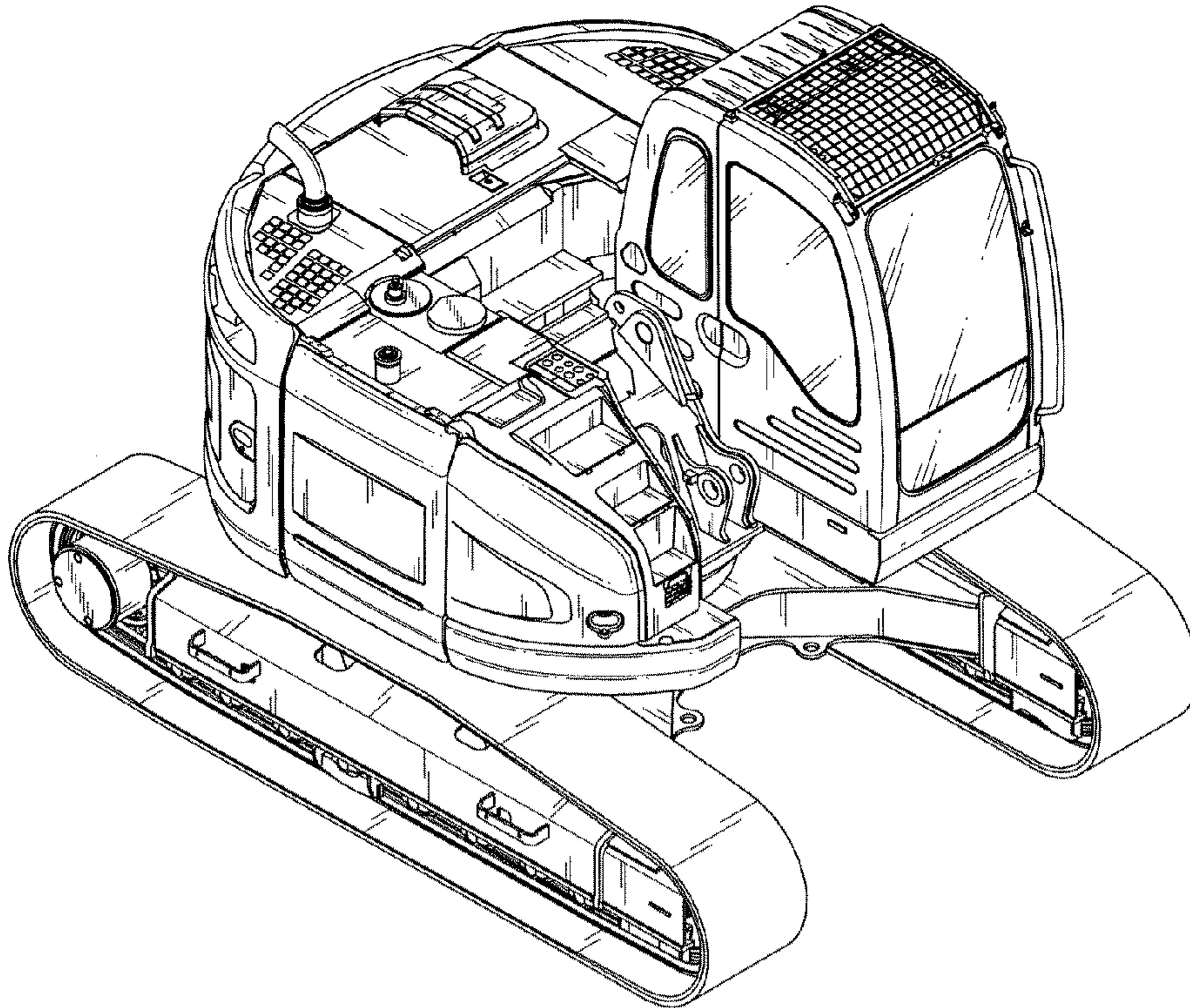


Fig. 2

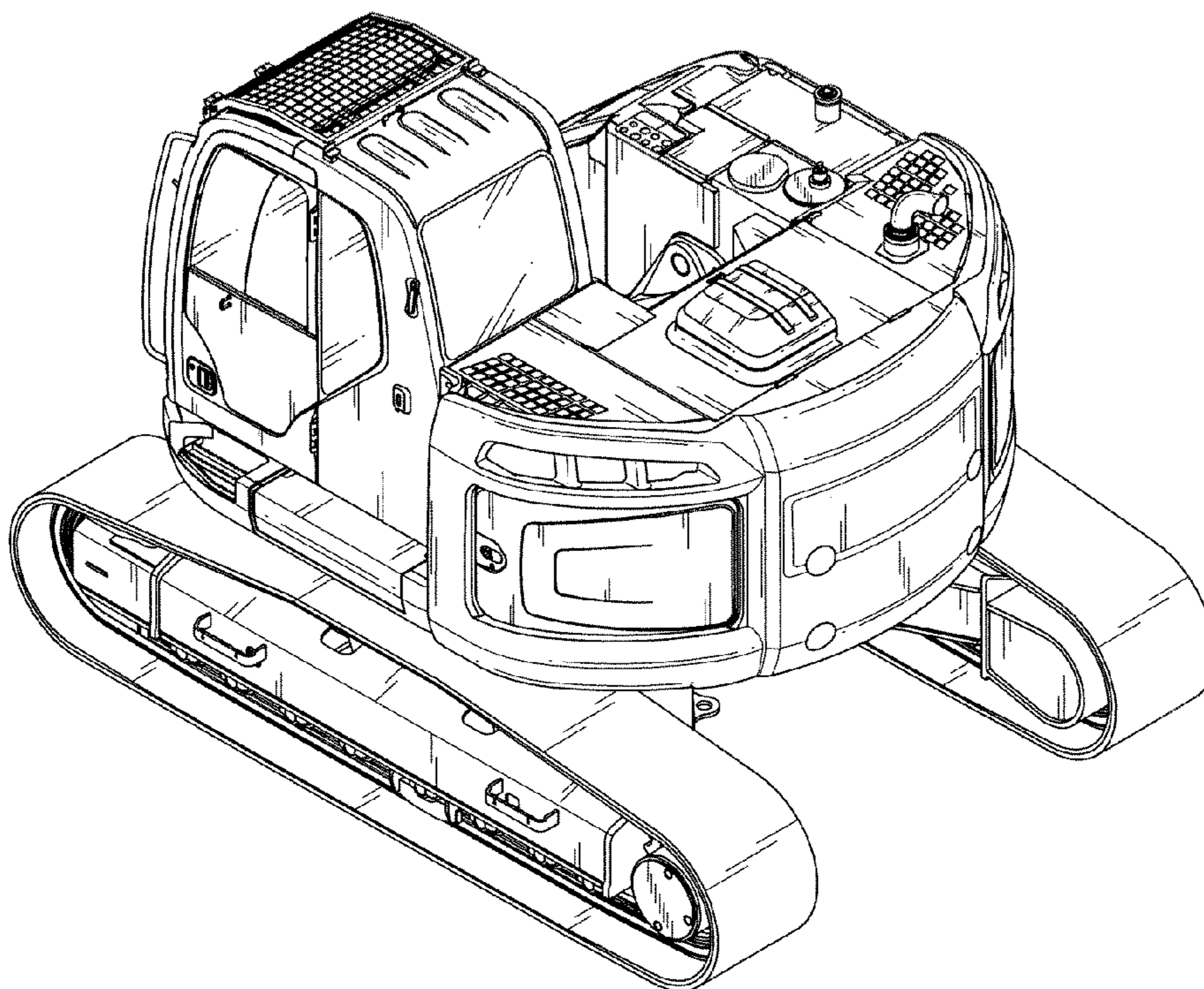


Fig. 3

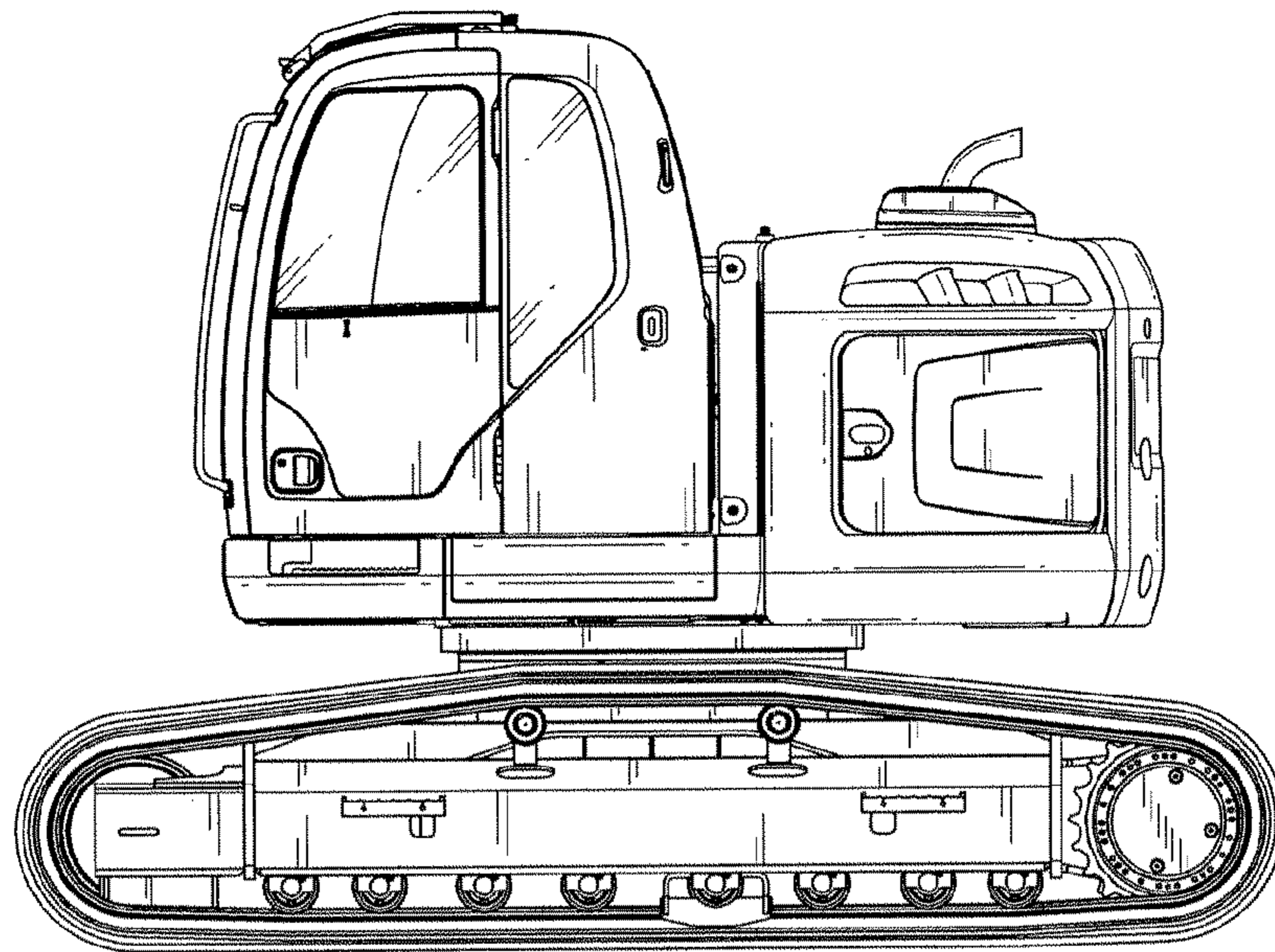


Fig. 4

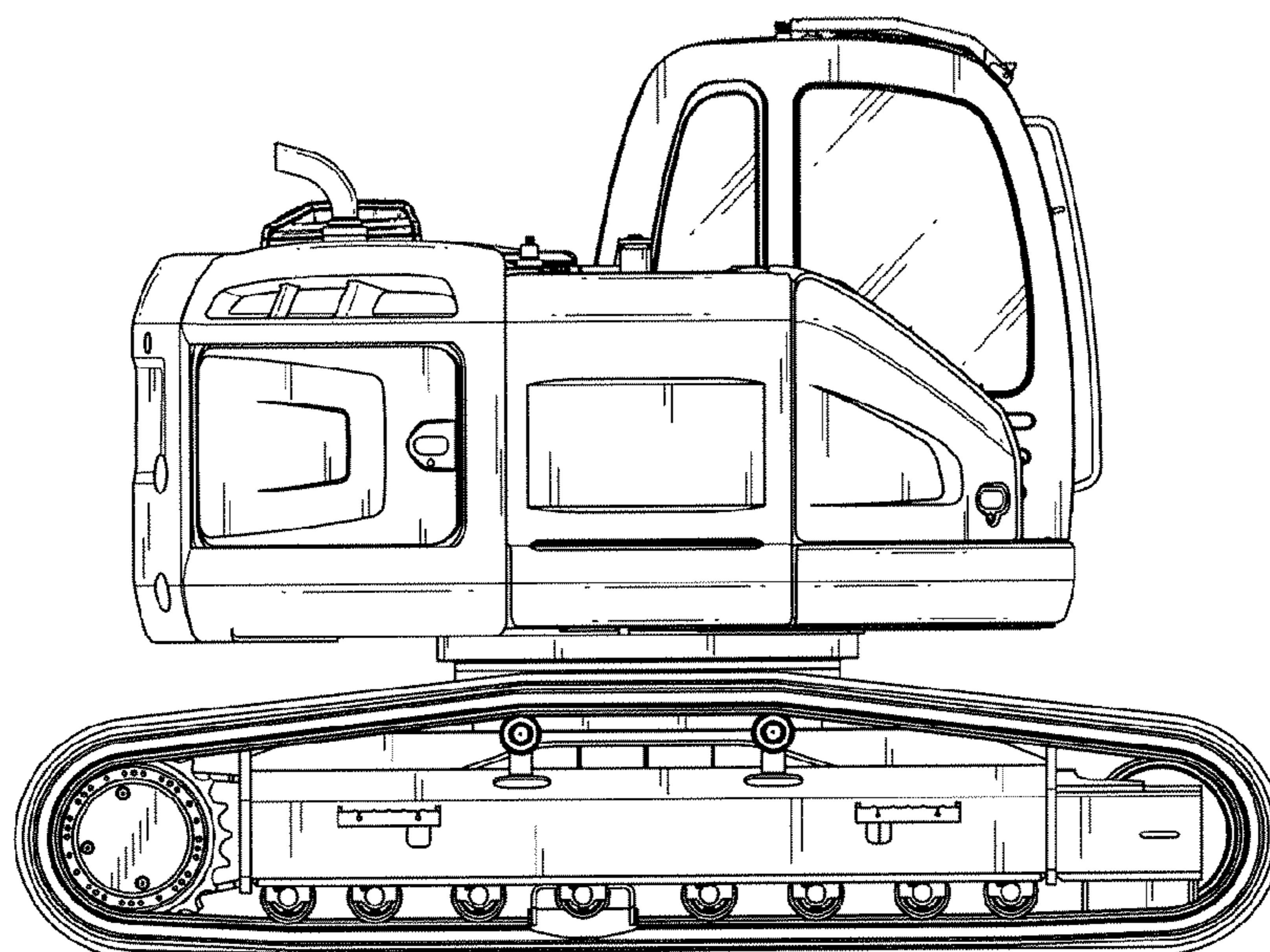


Fig. 5

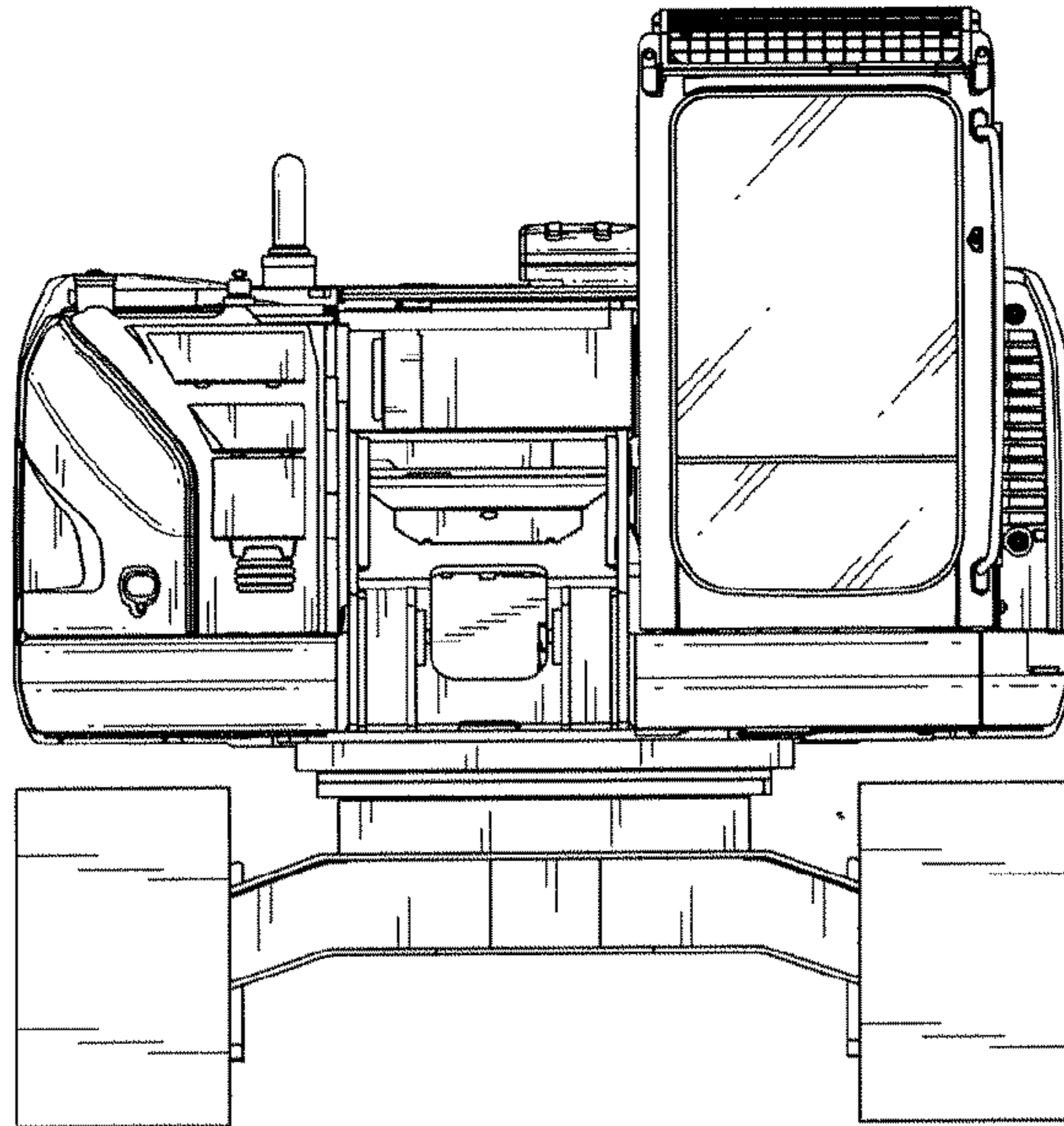


Fig. 6

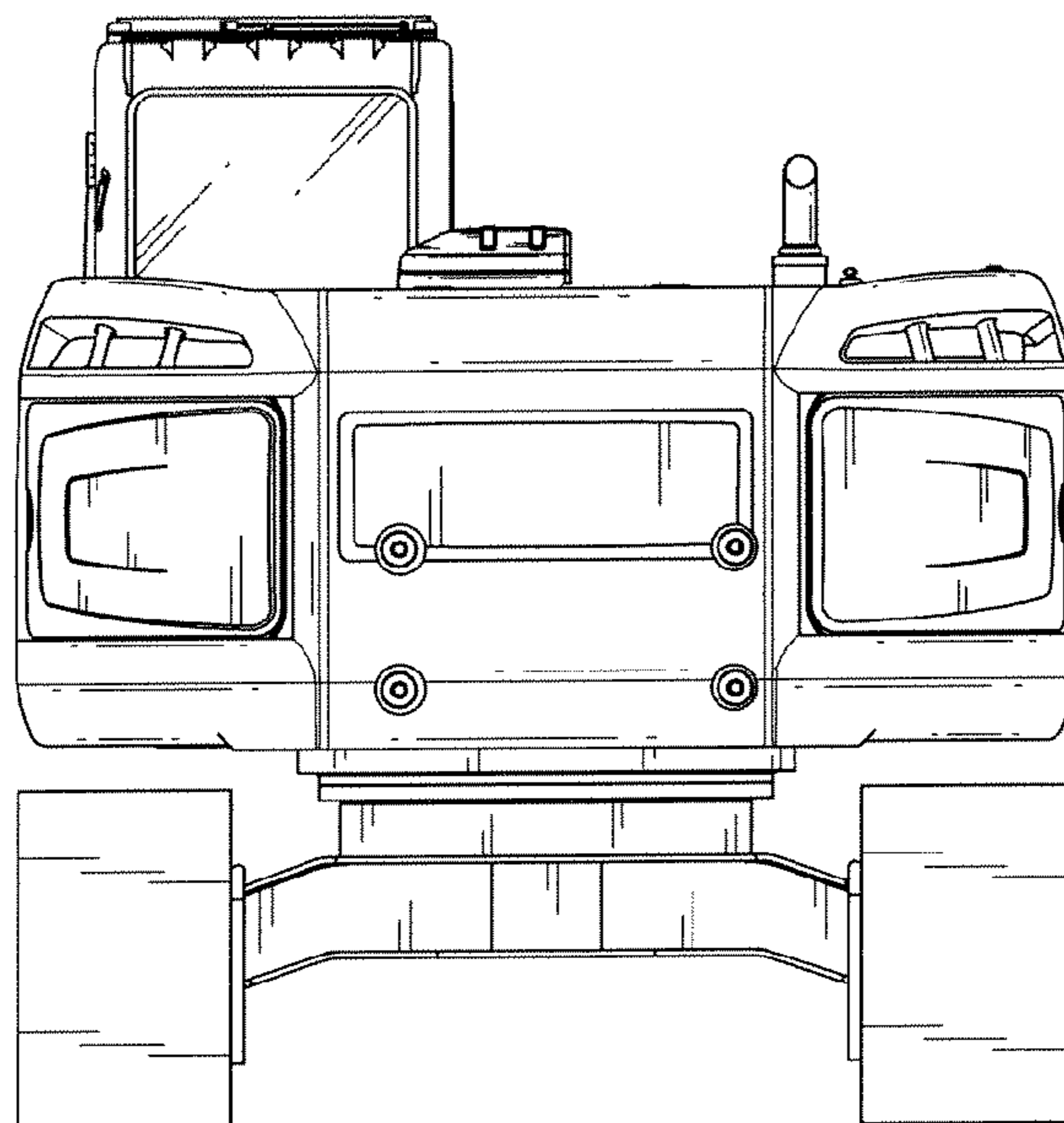


Fig. 7

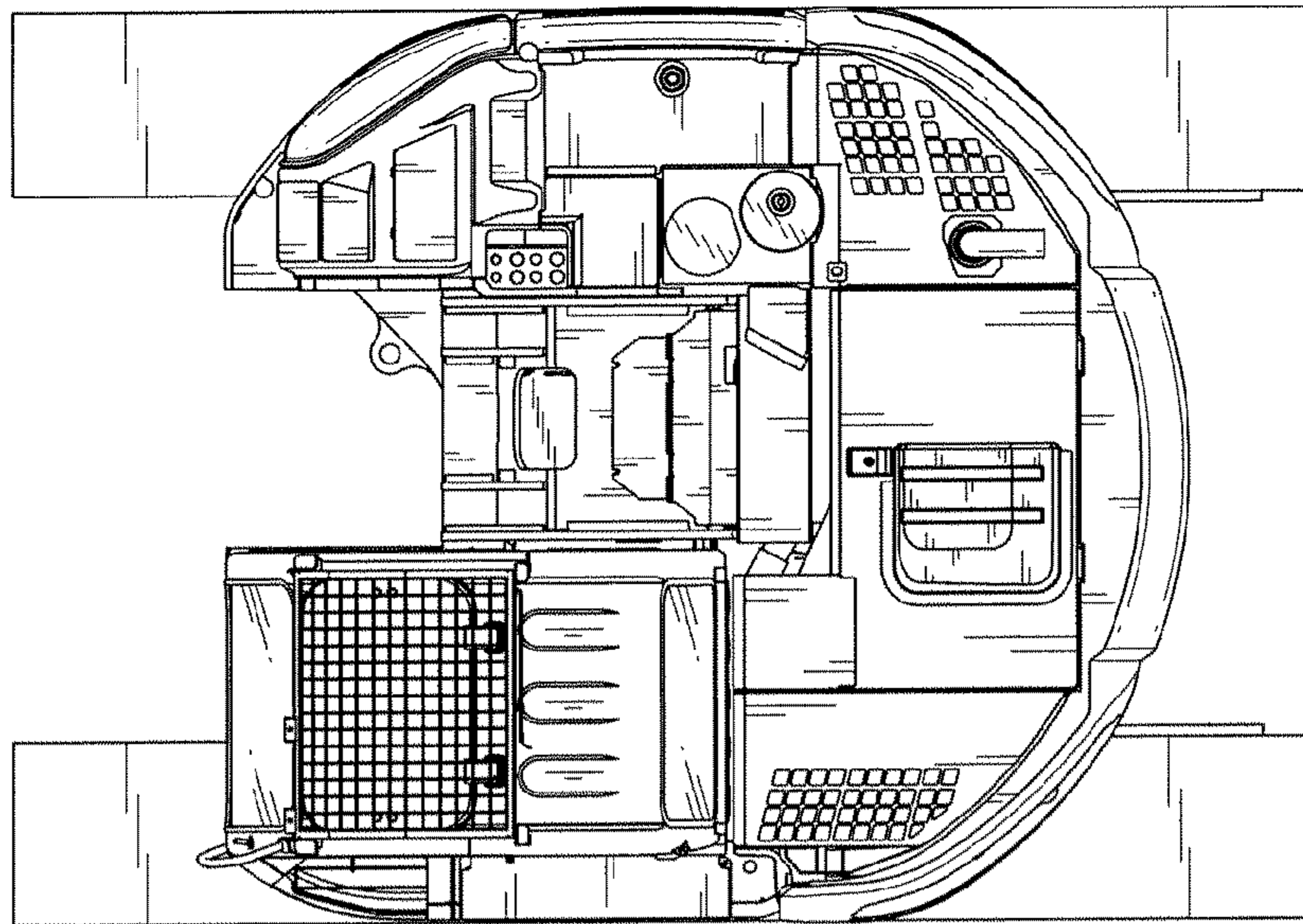


Fig. 8

