



US00D575800S

(12) **United States Design Patent**
Kusano et al.

(10) **Patent No.:** **US D575,800 S**
(45) **Date of Patent:** **** Aug. 26, 2008**

(54) **MULTIMEDIA BOX**

(75) Inventors: **Mieko Kusano**, Santa Barbara, CA (US); **Wai-Loong Lim**, San Francisco, CA (US); **George H. F. Schnakenberg, III**, San Francisco, CA (US)

(73) Assignee: **Sonos, Inc.**, Santa Barbara, CA (US)

(**) Term: **14 Years**

(21) Appl. No.: **29/280,529**

(22) Filed: **May 30, 2007**

(51) **LOC (8) Cl.** **14-03**

(52) **U.S. Cl.** **D14/496**

(58) **Field of Classification Search** D14/496,
D14/401, 434, 474, 483, 217, 137, 138, 160,
D14/168; 345/156, 169, 173-179, 905; 715/727-729,
715/864; 455/11.1, 7, 73, 344-347, 93, 95;
725/110, 131; 369/1, 2, 6, 12; 463/43-47;
273/148 B

See application file for complete search history.

(56) **References Cited**

U.S. PATENT DOCUMENTS

5,766,077	A *	6/1998	Hongo	463/30
5,914,707	A *	6/1999	Kono	345/173
5,947,765	A *	9/1999	Carlson et al.	439/535
6,598,230	B1 *	7/2003	Ballhorn	725/118
6,788,786	B1 *	9/2004	Kessler et al.	379/413.04
6,795,318	B2 *	9/2004	Haas et al.	361/729
D512,435	S *	12/2005	Yang	D14/496

7,028,329	B1 *	4/2006	Mizutani	725/109
D520,519	S *	5/2006	Chin et al.	D14/496
D522,531	S *	6/2006	Solomon et al.	D14/496
D544,497	S *	6/2007	Kindle et al.	D14/496
7,227,082	B2 *	6/2007	Caveney	174/53

OTHER PUBLICATIONS

A design displayed at <http://www.sonos.com/products/zoneplayers/zp100/features.htm> is believed to have been published over one year ago before May 30, 2007.

* cited by examiner

Primary Examiner—Prabhakar Deshmukh

(74) *Attorney, Agent, or Firm*—Joe Zheng

(57) **CLAIM**

We claim the ornamental design for a multimedia box, as shown and described.

DESCRIPTION

FIG. 1 is a first perspective view of a multimedia box incorporating our new design;

FIG. 2 is a second perspective view of a multimedia box incorporating our new design;

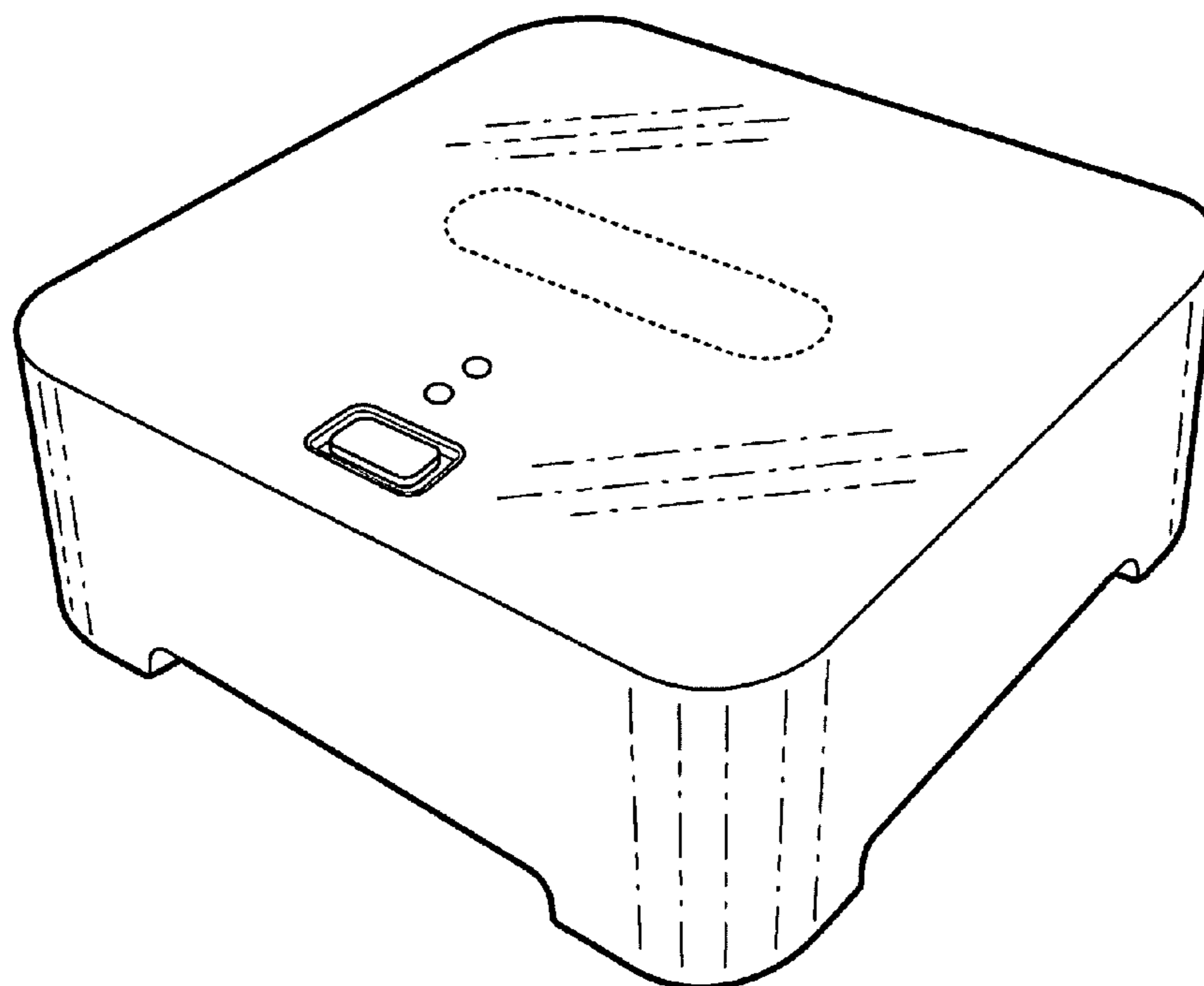
FIG. 3 is a top view thereof;

FIG. 4 is a left side elevational view thereof, the right side elevational view being a mirror image thereof; and,

FIG. 5 is a rear side view thereof.

The broken lines environmental are for illustrative purpose only and form no part of the claimed design.

1 Claim, 5 Drawing Sheets



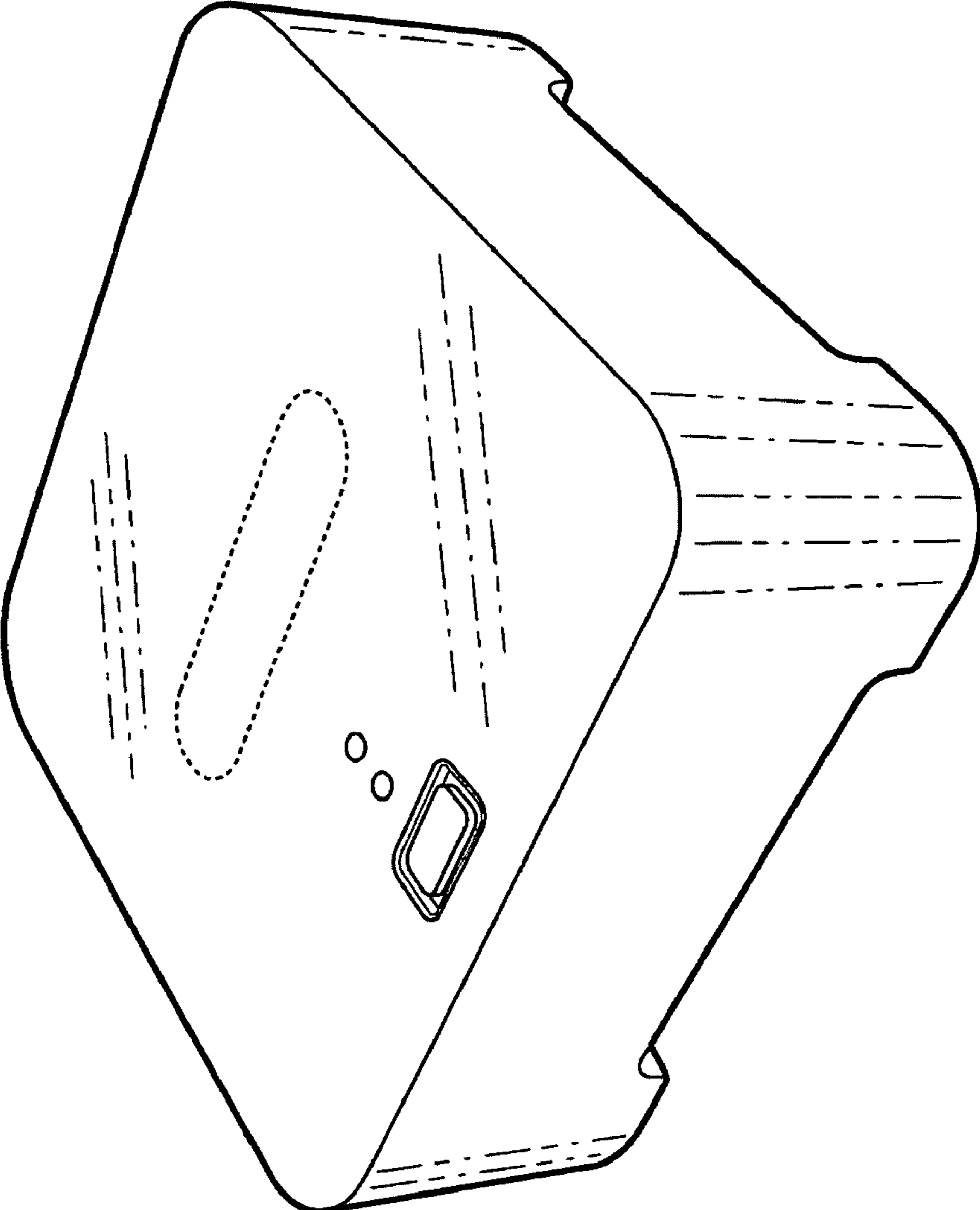


FIG. 1

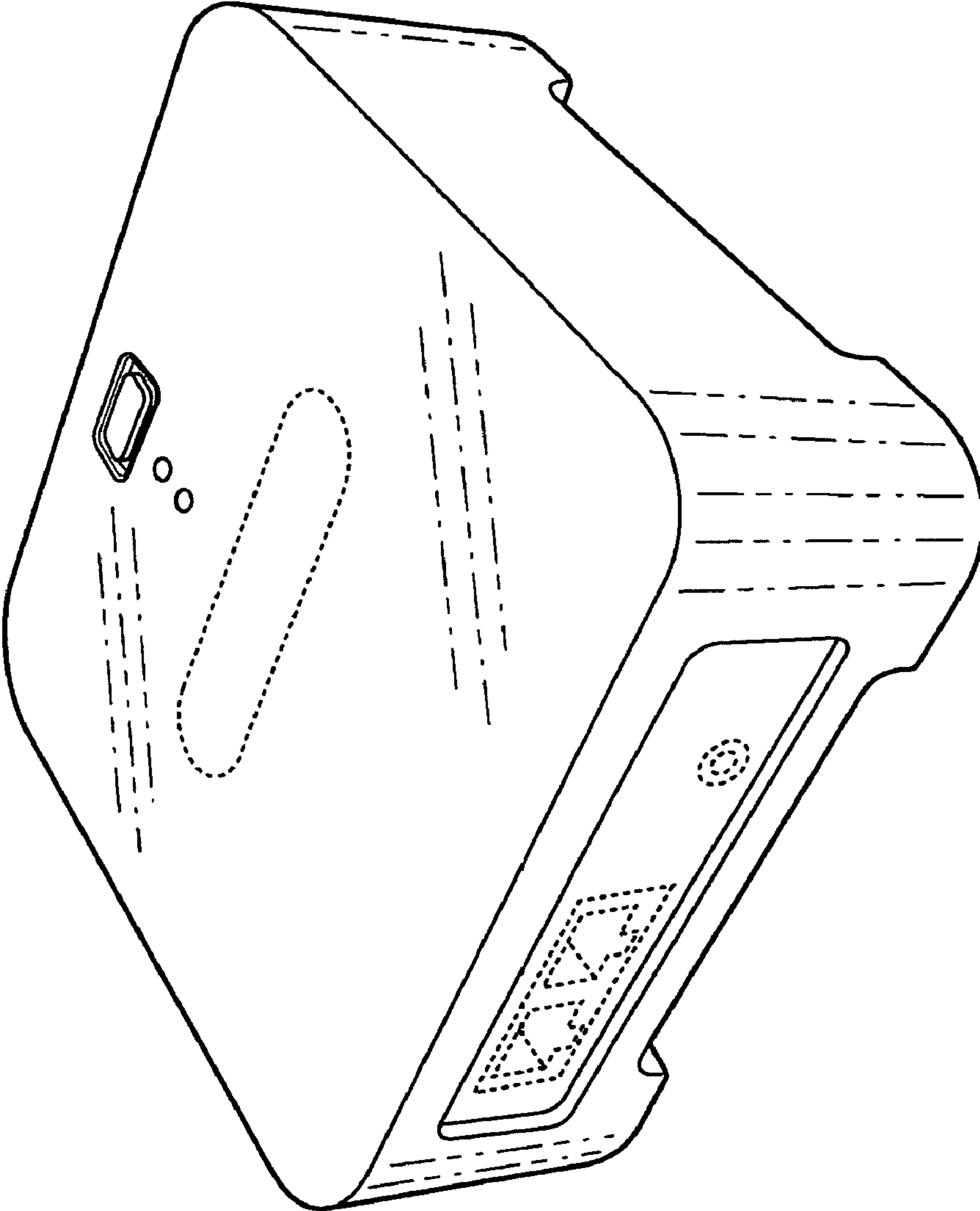


FIG. 2

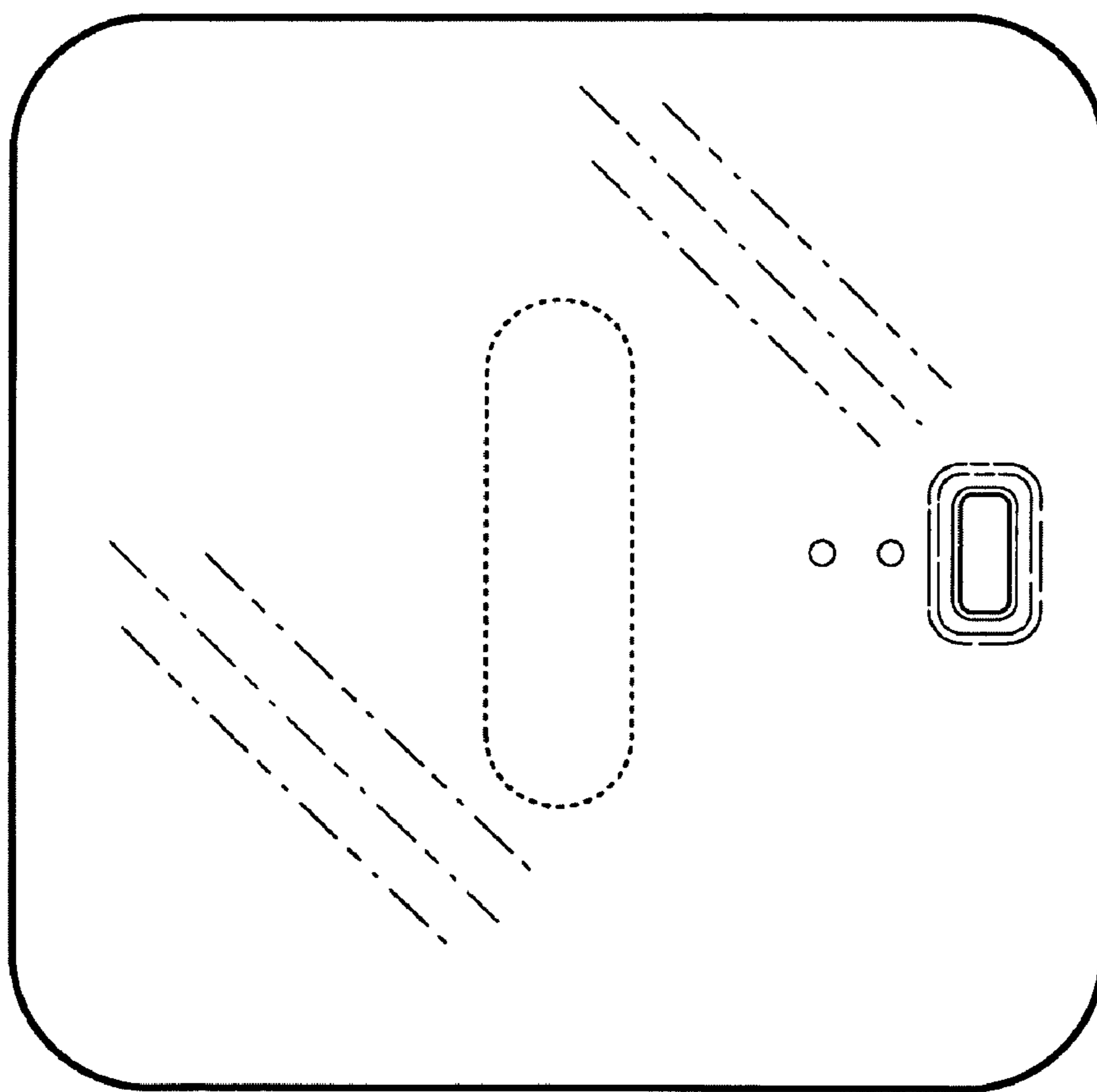


FIG. 3

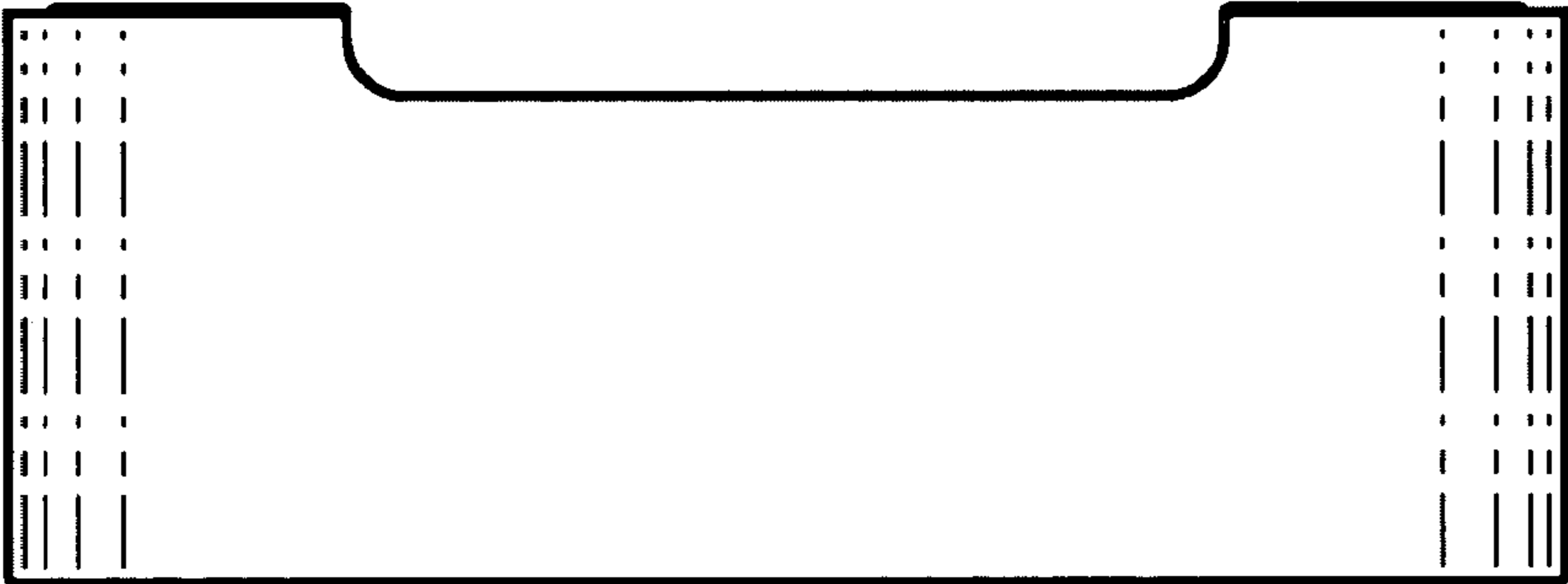


FIG. 4

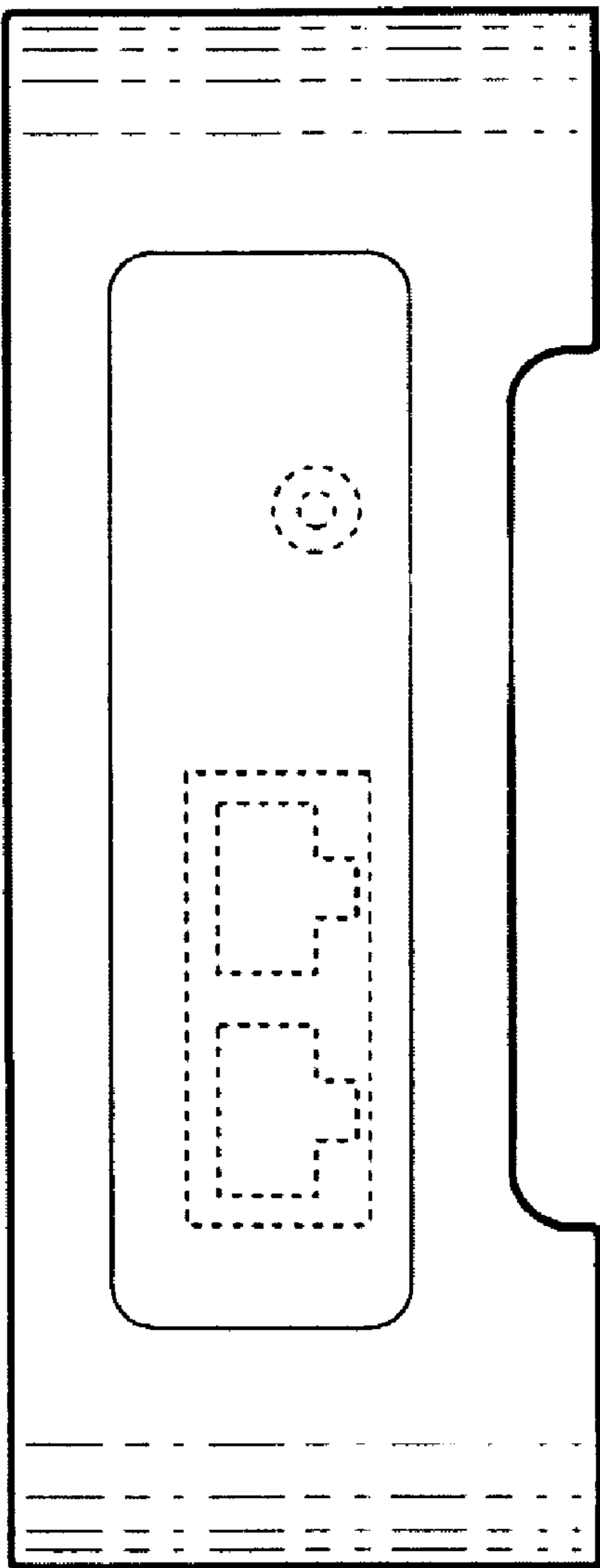


FIG. 5