



US00D575791S

(12) **United States Design Patent**
Takimoto

(10) **Patent No.:** **US D575,791 S**
(45) **Date of Patent:** **** Aug. 26, 2008**

(54) **FACSIMILE MACHINE**
(75) Inventor: **Makoto Takimoto**, Nara (JP)
(73) Assignee: **Sharp Kabushiki Kaisha**, Osaka (JP)
(**) Term: **14 Years**
(21) Appl. No.: **29/274,916**
(22) Filed: **Jun. 6, 2007**
(30) **Foreign Application Priority Data**
Dec. 7, 2006 (JP) 2006-033729

D411,531 S 6/1999 Hatanaka
D428,419 S 7/2000 Nakamura
D431,251 S 9/2000 Fujimoto
D434,045 S 11/2000 Nakamura
D434,046 S 11/2000 Nakamura
D438,869 S 3/2001 Nakamura
D442,604 S 5/2001 Nakamura
D443,620 S 6/2001 Nakamura et al.
D450,709 S 11/2001 Nakamura
D451,927 S * 12/2001 Itakura D14/469
D453,165 S 1/2002 Takahashi et al.
D468,321 S 1/2003 Naganuma
D507,275 S 7/2005 Matsushima
D508,056 S * 8/2005 Ishigami et al. D14/468
D516,081 S 2/2006 Takimoto
D519,485 S * 4/2006 Baik et al. D14/138

(51) **LOC (8) Cl.** **16-03**
(52) **U.S. Cl.** **D14/467; D14/468**
(58) **Field of Classification Search** D14/462-471;
D18/36-41; 358/400-404
See application file for complete search history.

(56) **References Cited**
U.S. PATENT DOCUMENTS

D284,374 S 6/1986 Ohie et al.
D290,959 S 7/1987 Ooie
D293,788 S 1/1988 Ooie
D305,651 S 1/1990 Hino
D310,214 S 8/1990 Tsukada
D313,591 S 1/1991 Oie
D316,712 S 5/1991 Tsukada
D355,177 S 2/1995 Sawada et al.
D355,178 S 2/1995 Sawada et al.
D355,179 S 2/1995 Sawada et al.
D357,677 S 4/1995 Sawada et al.
D361,944 S 9/1995 Ohba et al.
D363,713 S 10/1995 Kanari et al.
D376,793 S 12/1996 Satoh et al.
D383,742 S 9/1997 Sawada et al.
D383,744 S 9/1997 Matsushima et al.
D385,266 S 10/1997 Matsushima
D386,490 S 11/1997 Fujimoto
D390,842 S 2/1998 Matsushima et al.
D407,083 S 3/1999 Yamamizu

OTHER PUBLICATIONS

Takimoto, entitled, "Facsimile Machine," pending U.S. Appl. No. 29/268,924, filed Nov. 16, 2006.

* cited by examiner

Primary Examiner—Stella M. Reid
Assistant Examiner—Keli L Acker
(74) *Attorney, Agent, or Firm*—Nixon & Vanderhye, PC

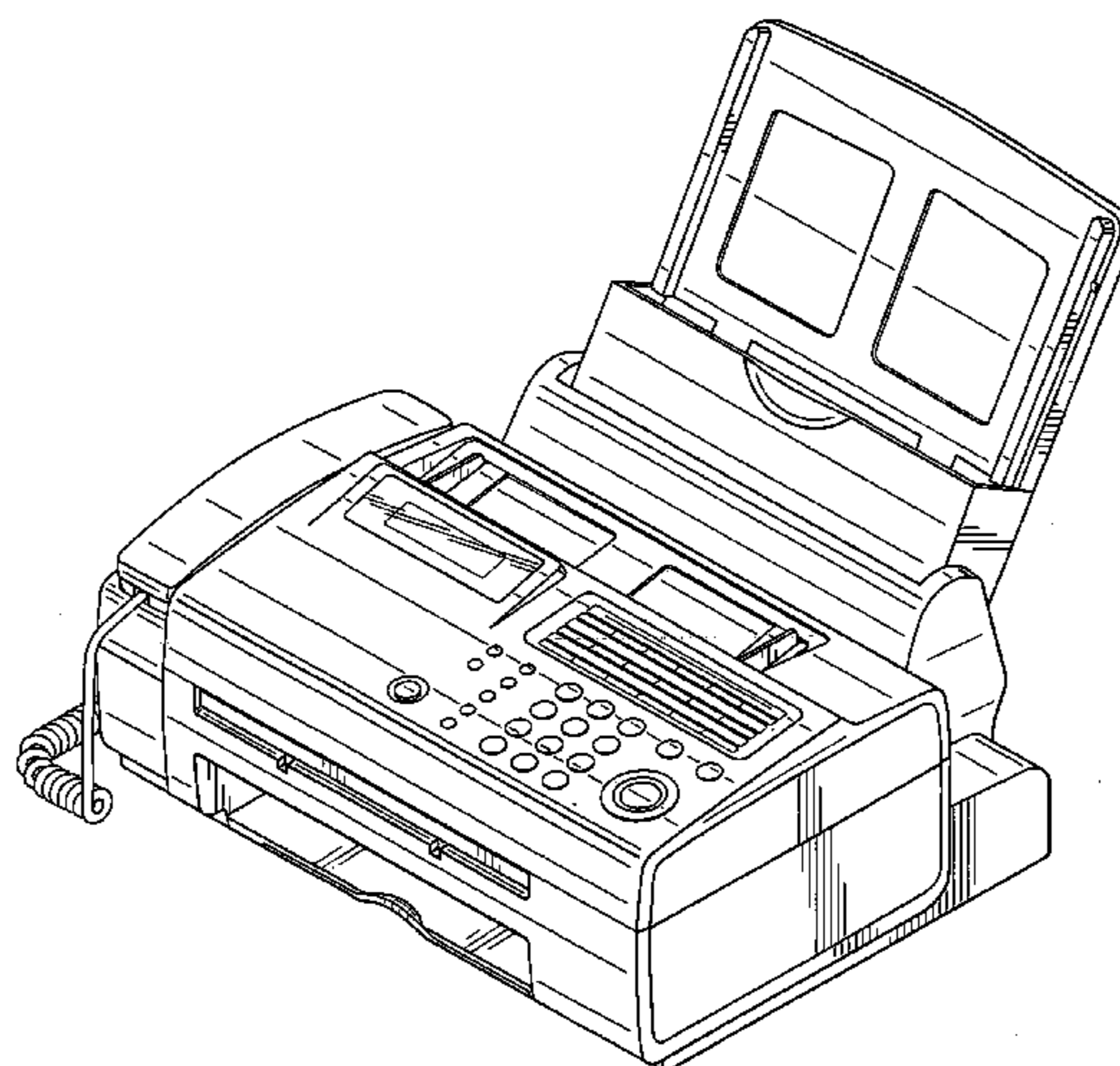
(57) **CLAIM**

The ornamental design for an "facsimile machine", as shown and described.

DESCRIPTION

FIG. 1 is a perspective view of a facsimile machine in accordance with my new design;
FIG. 2 is a front elevation view thereof;
FIG. 3 is a rear elevation view thereof;
FIG. 4 is a top plan view thereof;
FIG. 5 is a bottom plan view thereof;
FIG. 6 is a right side elevational view thereof; and,
FIG. 7 is a left side elevational view thereof.

1 Claim, 7 Drawing Sheets



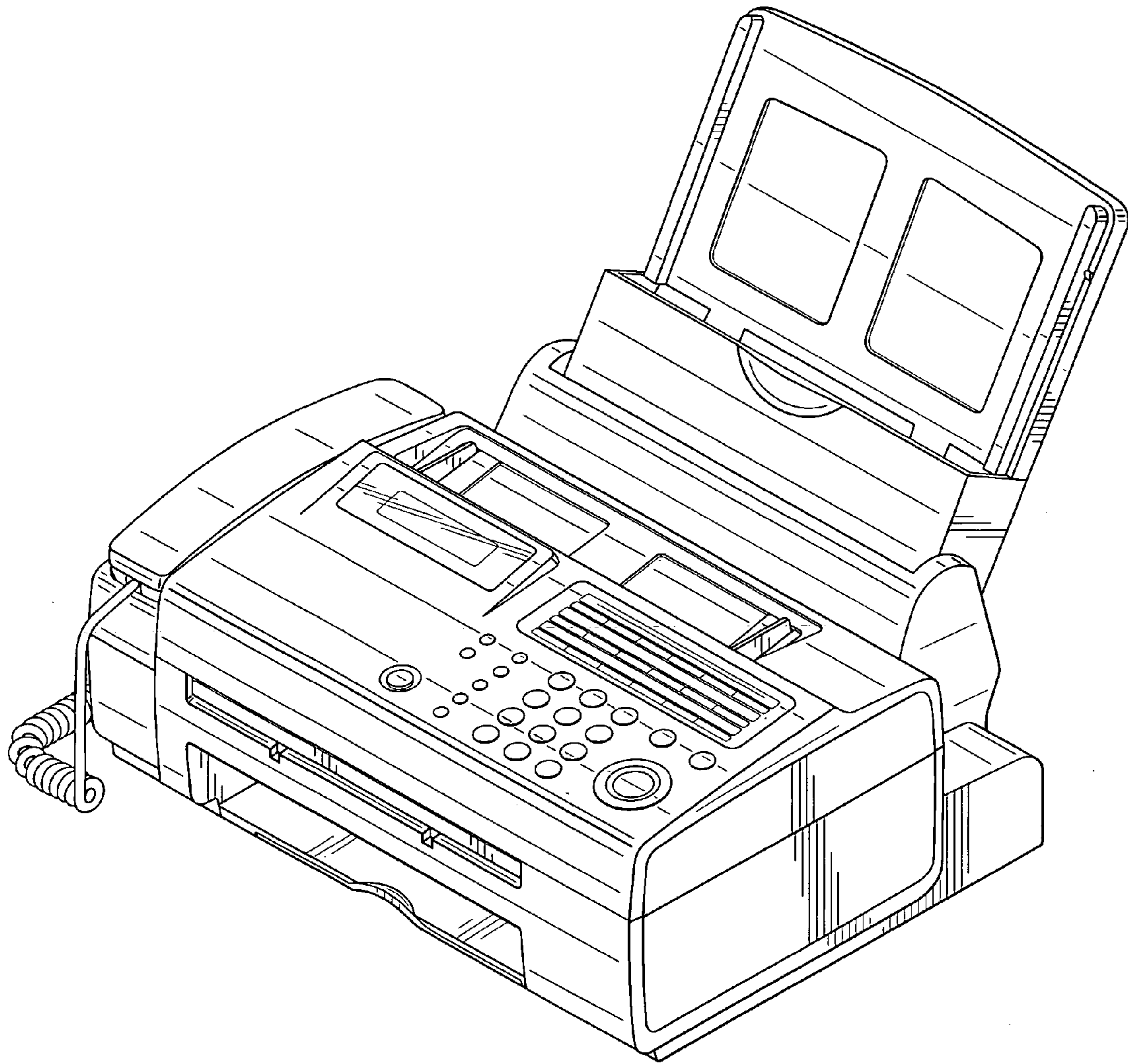


FIG. 1

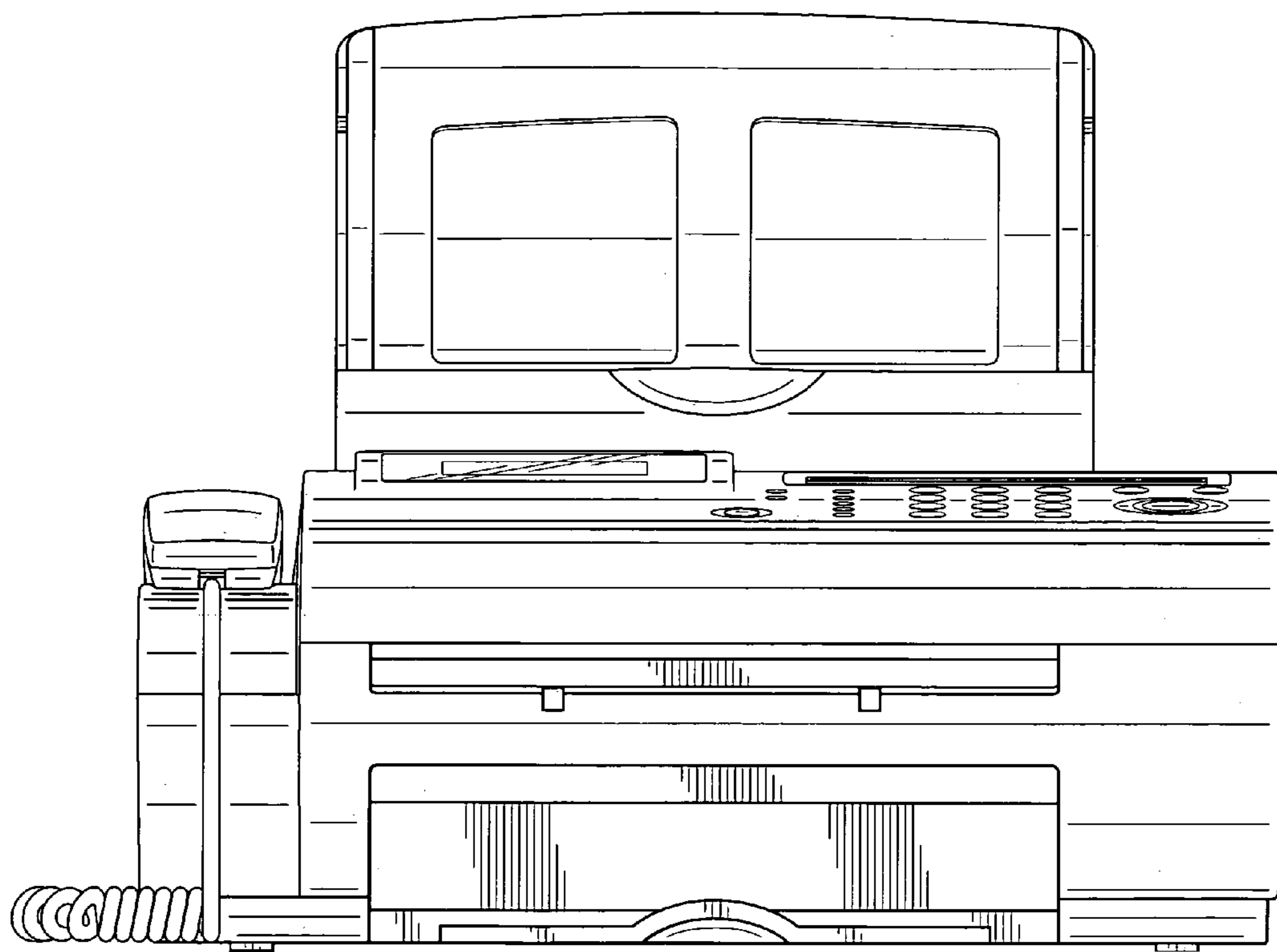


FIG. 2

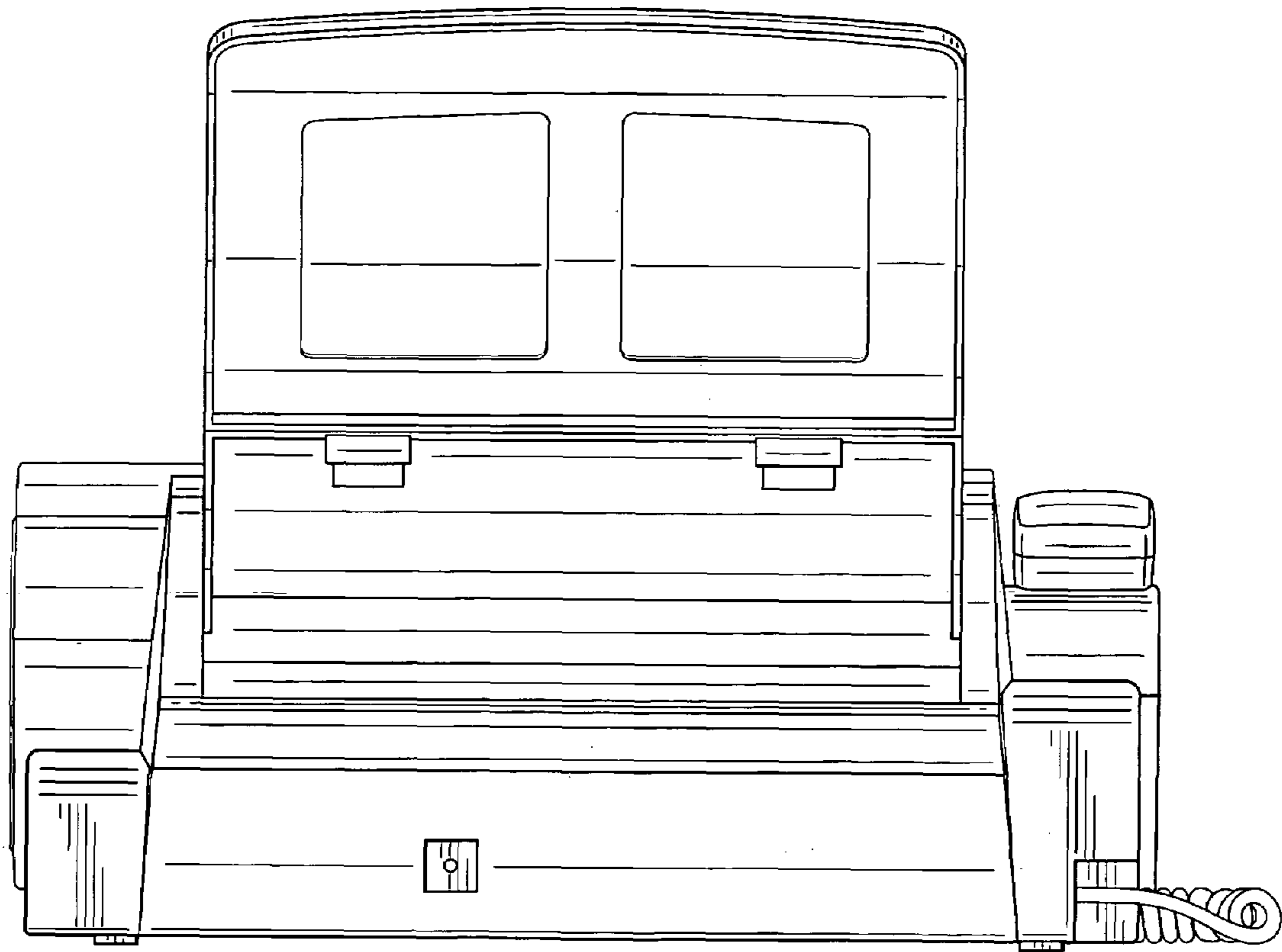


FIG. 3

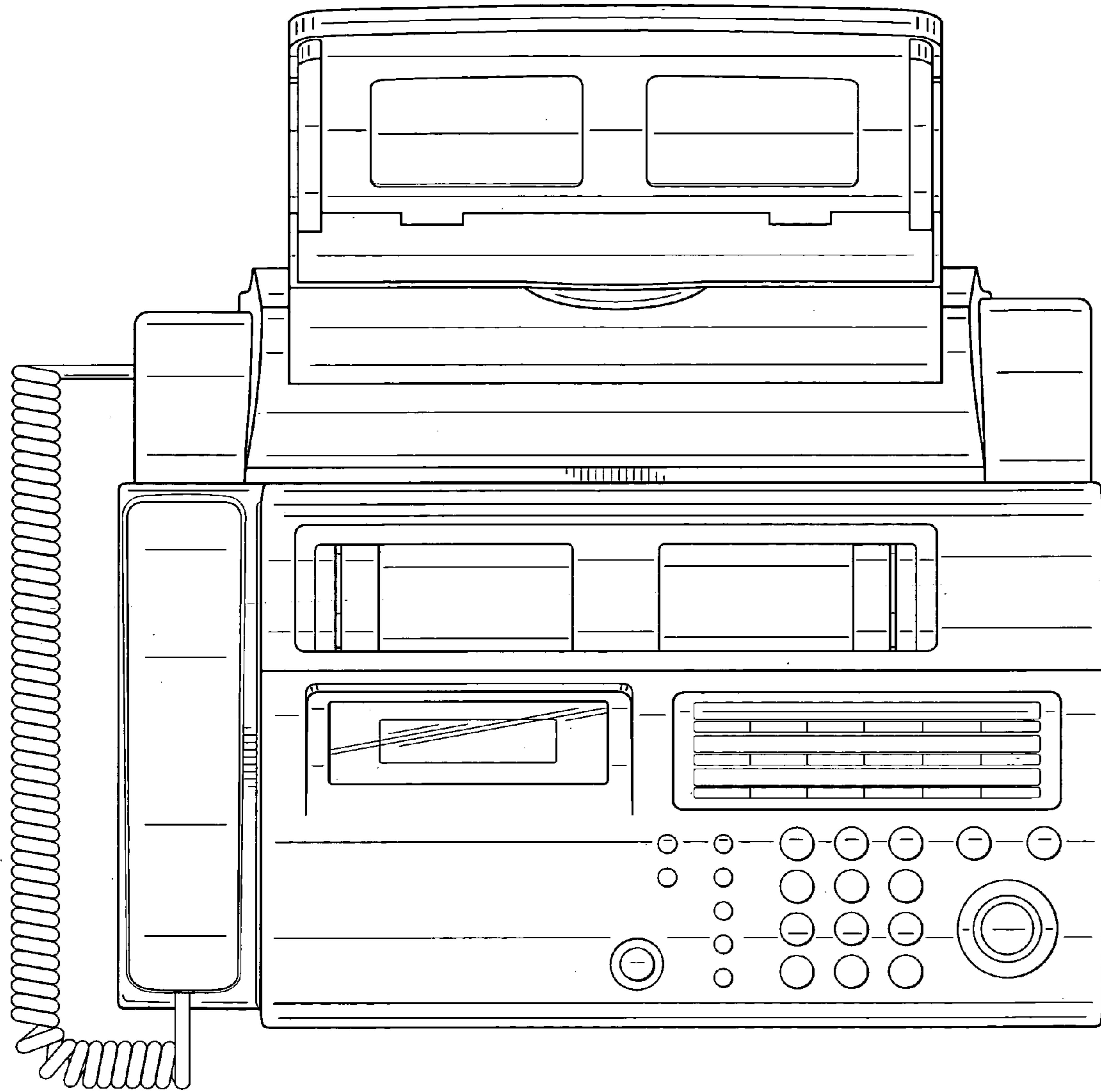


FIG. 4

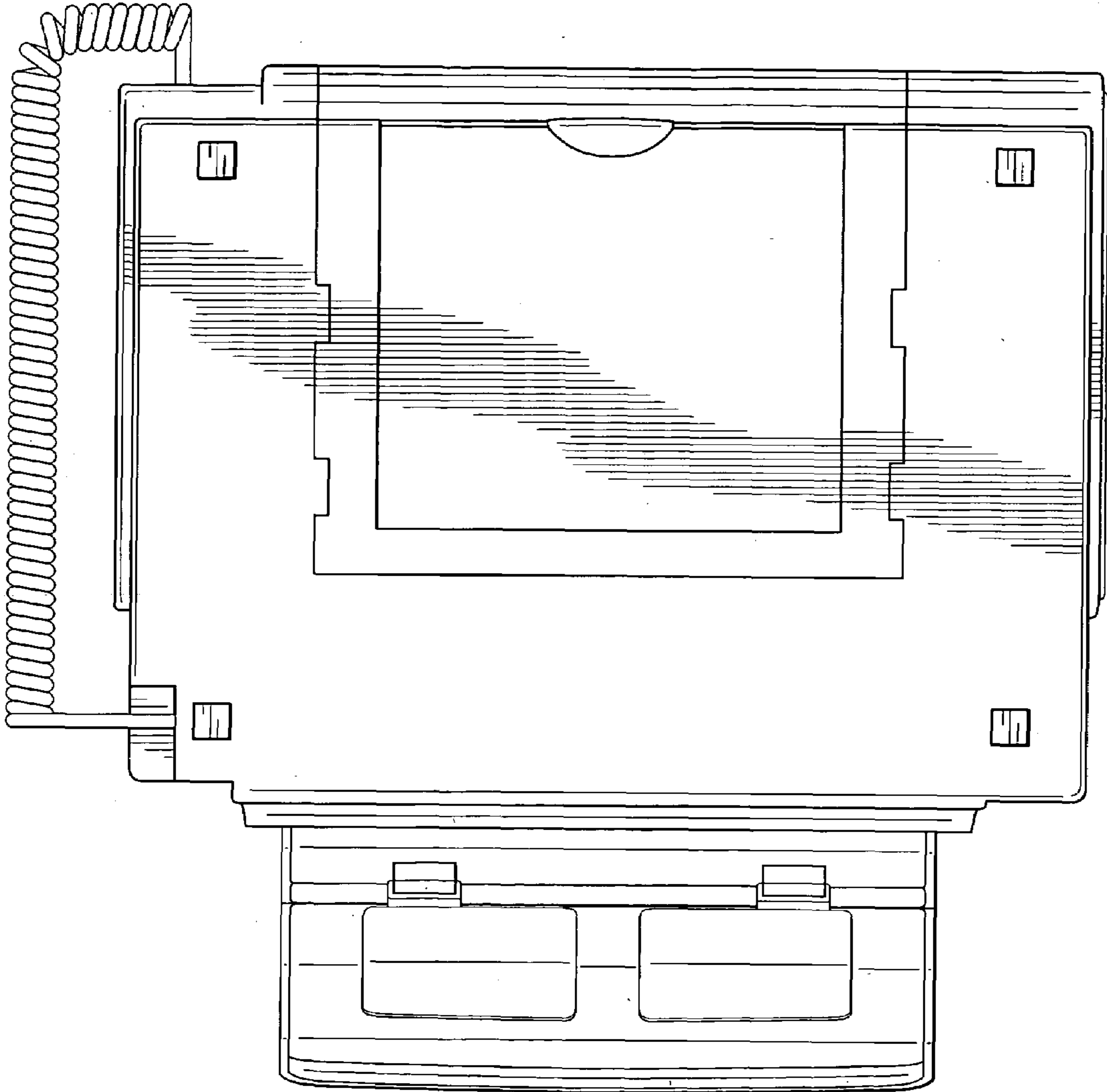


FIG. 5

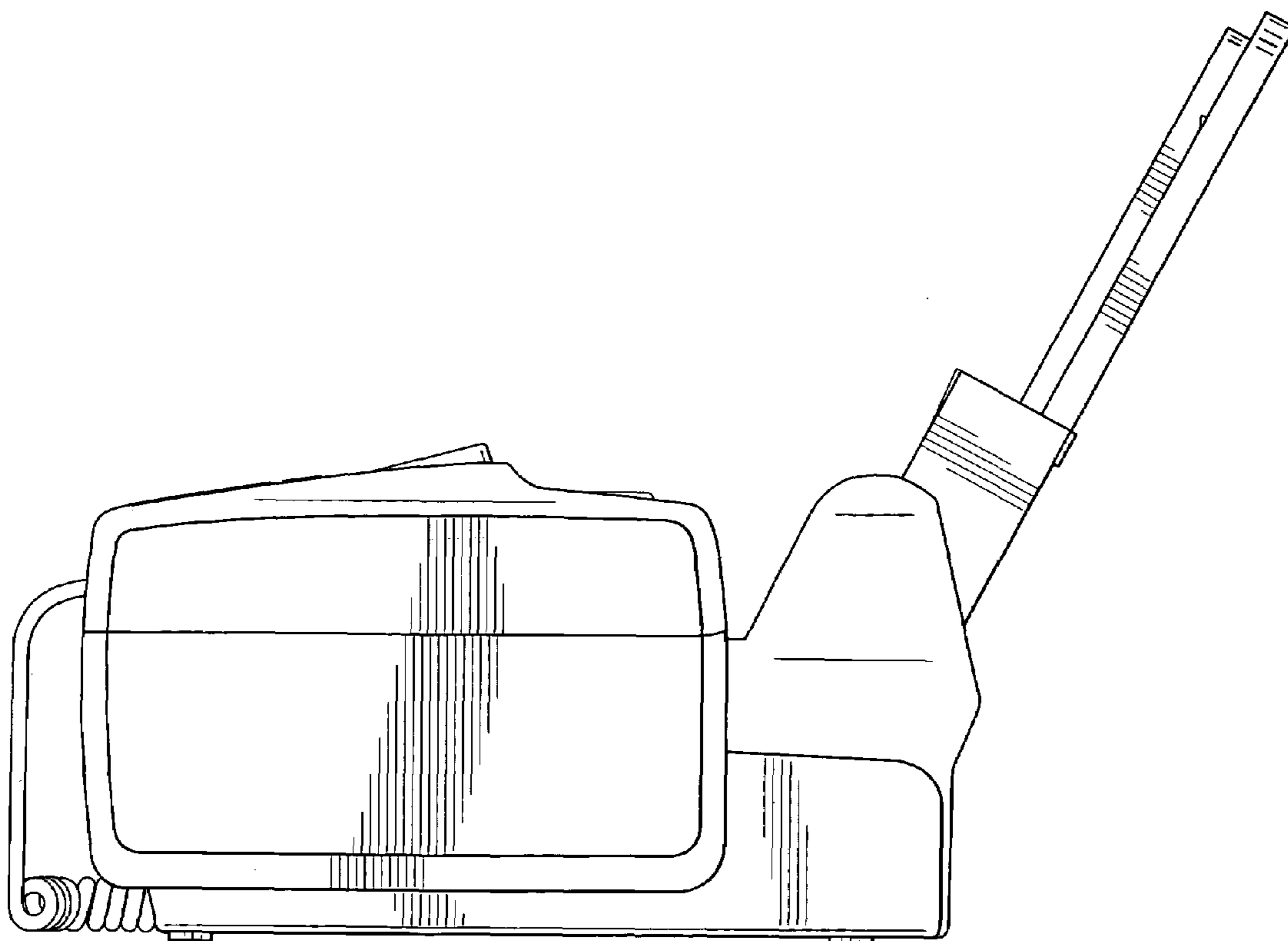


FIG. 6

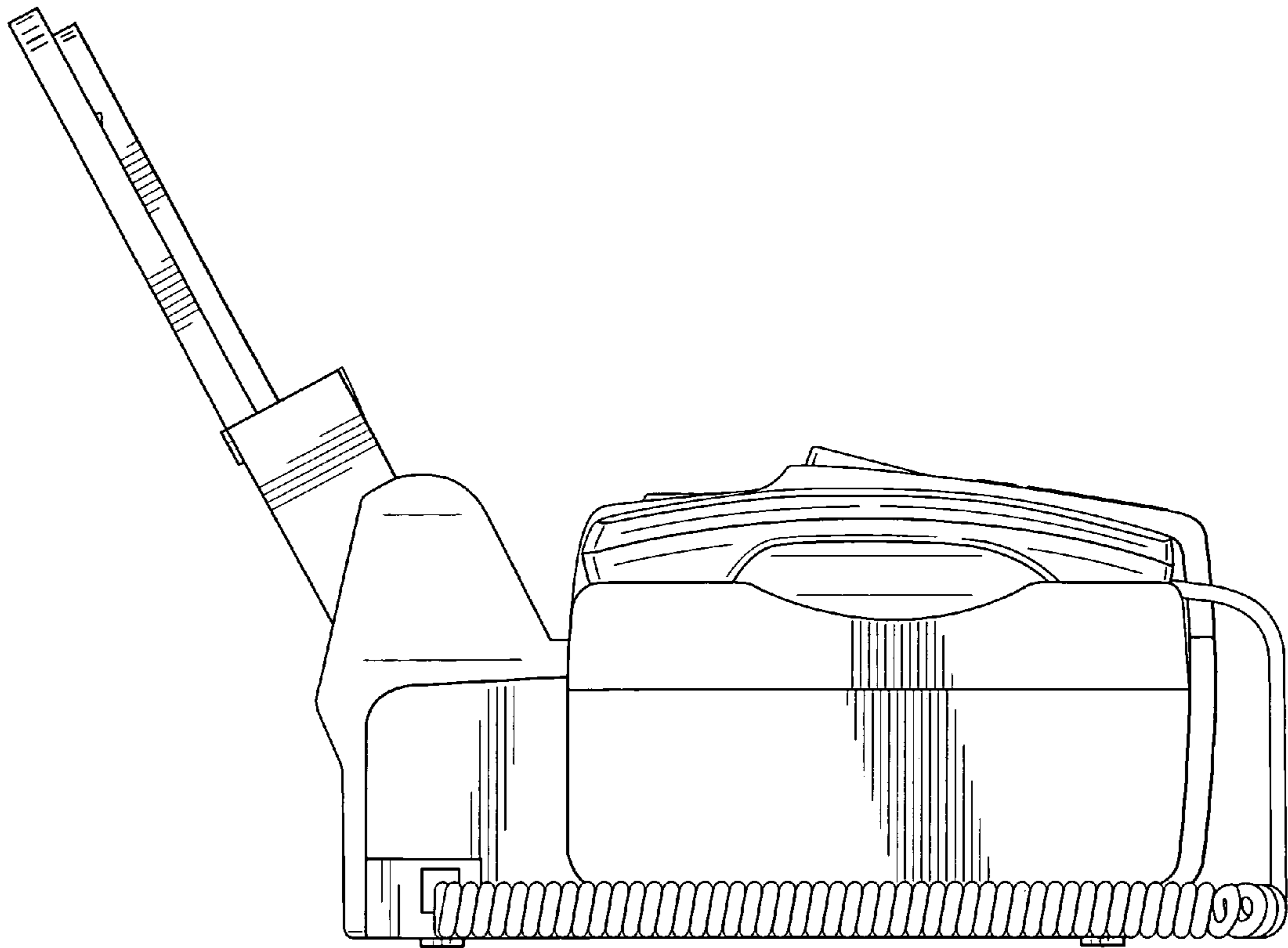


FIG. 7