



US00D575790S

(12) **United States Design Patent**
Ledbetter et al.

(10) **Patent No.:** **US D575,790 S**
(45) **Date of Patent:** **** Aug. 26, 2008**

(54) **PORTION OF AN INPUT DEVICE**

(75) Inventors: **Carl J. Ledbetter**, Mercer Island, WA (US); **John Ikeda**, Seattle, WA (US); **Michael Baseflug**, Duball, WA (US); **Jonathan Reed Harris**, Redmond, WA (US); **Anthony Reed**, Seattle, WA (US); **Peter Newbury**, Seattle, WA (US)

(73) Assignee: **Microsoft Corporation**, Redmond, WA (US)

(**) Term: **14 Years**

(21) Appl. No.: **29/283,831**

(22) Filed: **Aug. 24, 2007**

(51) **LOC (8) Cl.** **14-02**

(52) **U.S. Cl.** **D14/455**

(58) **Field of Classification Search** D14/341-347, D14/138, 454-456, 391, 218, 327, 338, 387, D14/390, 399, 426, 429, 432, 439, 137, 247, D14/496, 125, 126, 129, 318, 326, 248; D18/7; D13/168; 361/680; D21/517, 329, 330, D21/331; D10/65, 104; 345/169; 379/433.04, 379/433.06, 433.07, 433.11, 433.12, 433.13; 348/14.02; 455/556.1, 556.2, 566, 575.1, 455/575.3, 575.4, 90.3; 341/22

See application file for complete search history.

(56) **References Cited**

U.S. PATENT DOCUMENTS

D309,293 S * 7/1990 Helbig, Jr. D14/346
D338,011 S * 8/1993 Carter et al. D14/218
D357,919 S * 5/1995 Tsui D14/218

D460,053 S * 7/2002 Choi D13/168
D476,987 S * 7/2003 Takiguchi et al. D14/341
D504,691 S * 5/2005 Ohno D14/496
D539,811 S * 4/2007 Lee D14/496
D541,225 S * 4/2007 Katsuyama et al. D13/168
D554,625 S * 11/2007 Kato D14/218
D562,316 S * 2/2008 Dave D14/346
D563,995 S * 3/2008 Deguchi et al. D14/496
D568,827 S * 5/2008 Ikeda et al. D13/168
2007/0241929 A1 * 10/2007 Marchetto 340/825.72

* cited by examiner

Primary Examiner—Cathron Brooks

Assistant Examiner—Angela J Lee

(74) *Attorney, Agent, or Firm*—Banner & Witcoff, Ltd.

(57) **CLAIM**

The ornamental design for a portion of an input device, as shown and described.

DESCRIPTION

FIG. 1 is a front perspective view of a portion of an input device showing our new design;

FIG. 2 is a front view thereof;

FIG. 3 is a right side view thereof;

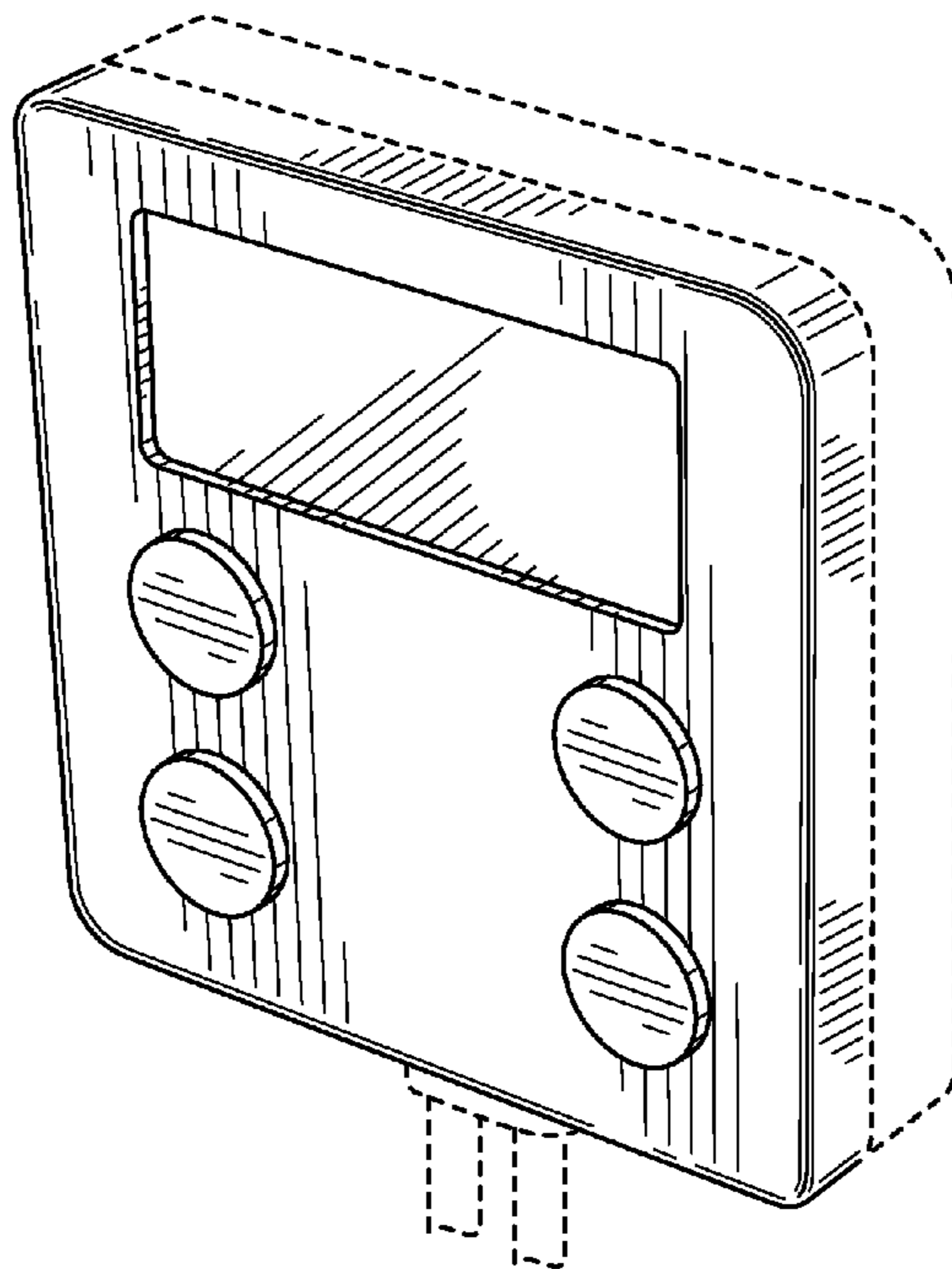
FIG. 4 is a left side view thereof;

FIG. 5 is a top view thereof; and,

FIG. 6 is a bottom view thereof.

The broken line showing of various regions in the figures, including the unshaded areas therein, is included for the purpose of illustrating unclaimed portions of the article and forms no part of the claimed design.

1 Claim, 2 Drawing Sheets



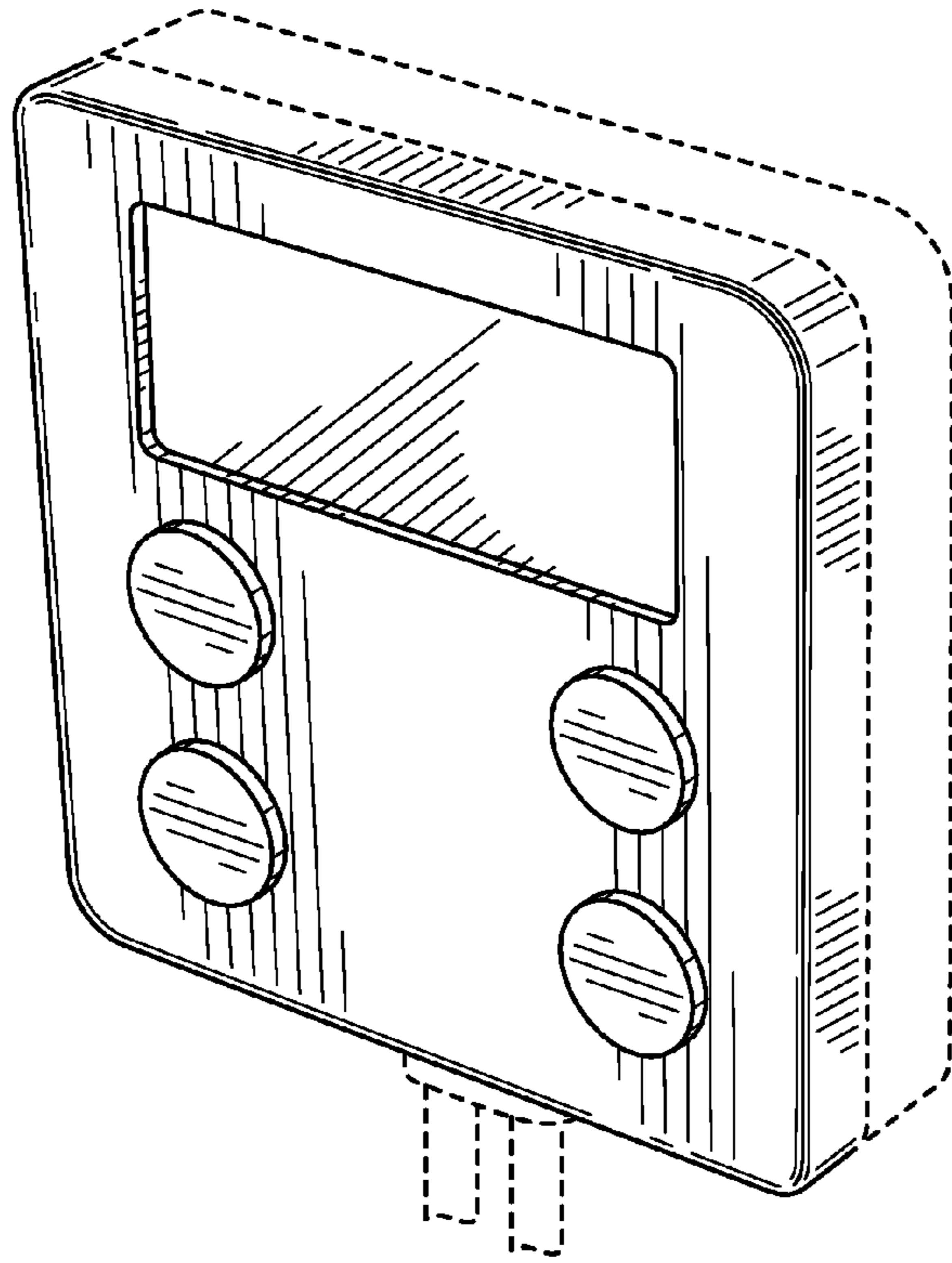


FIG. 1

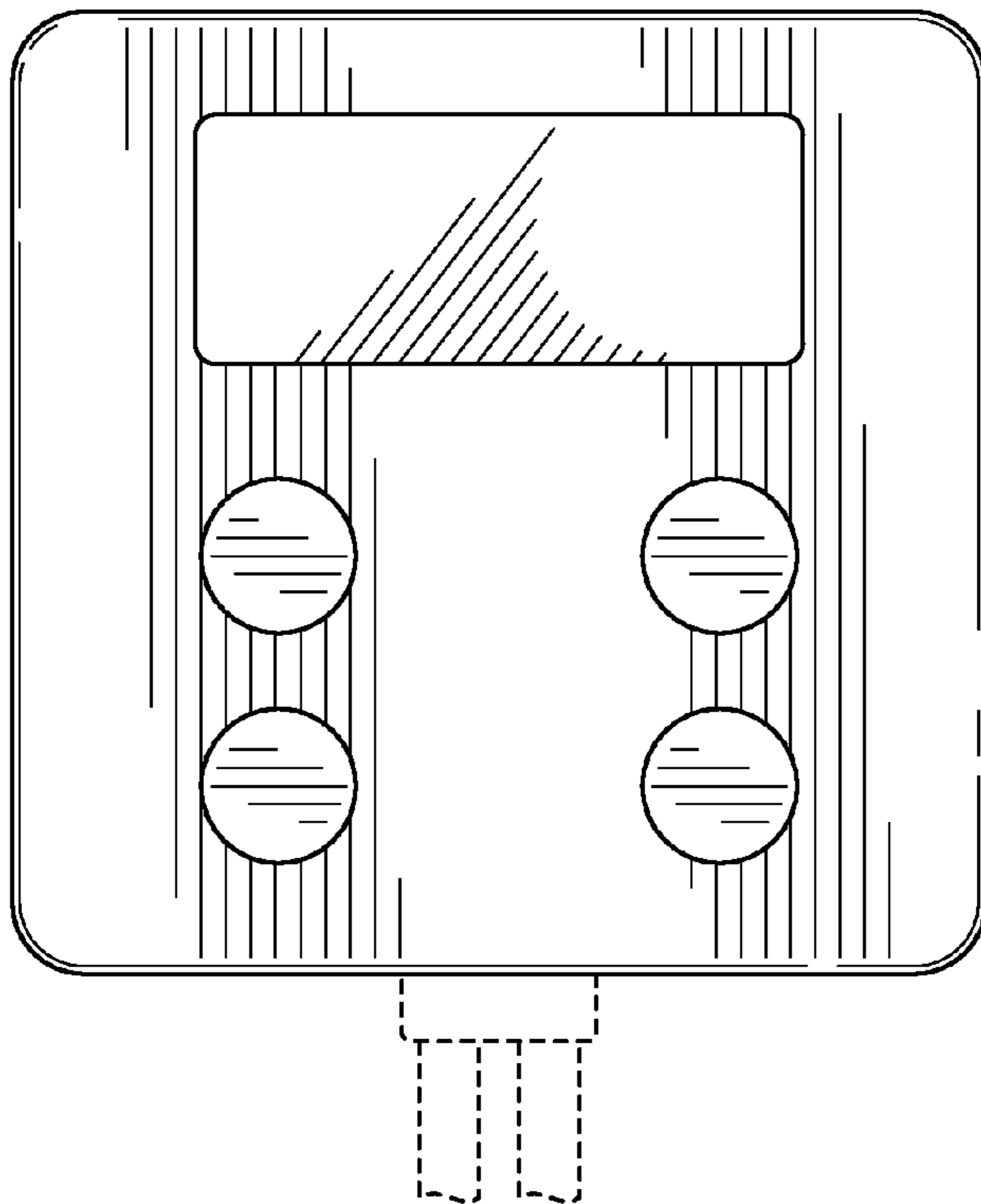


FIG. 2

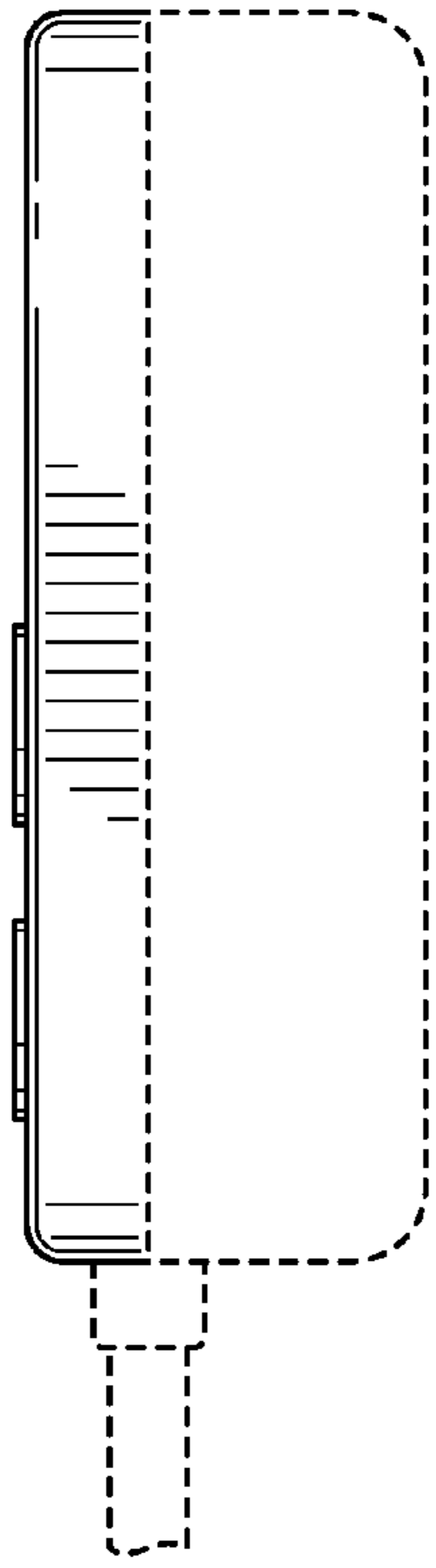


FIG. 3

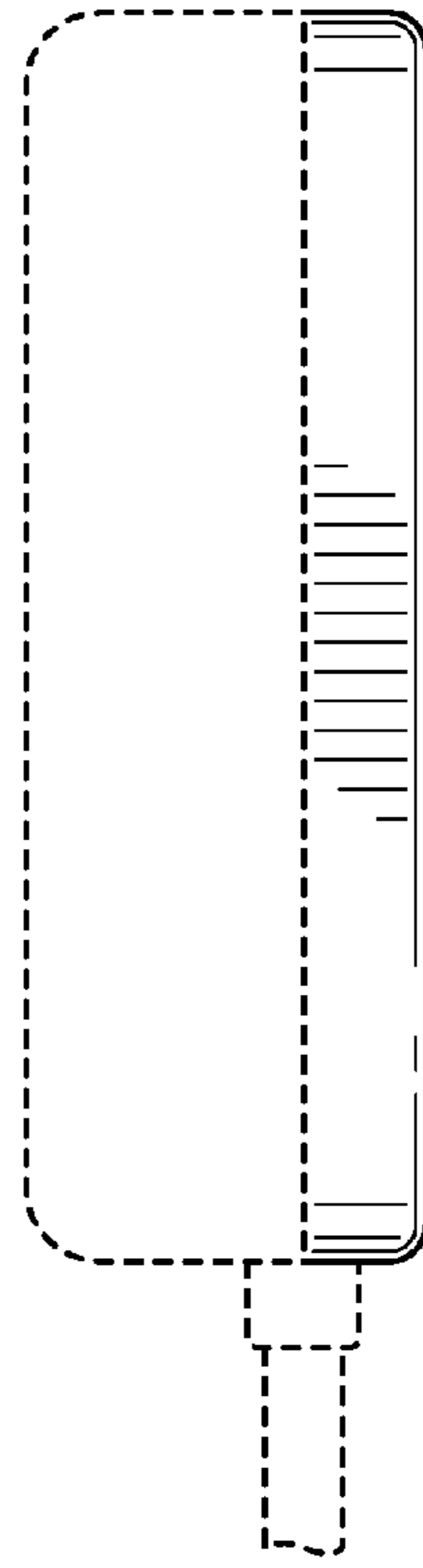


FIG. 4

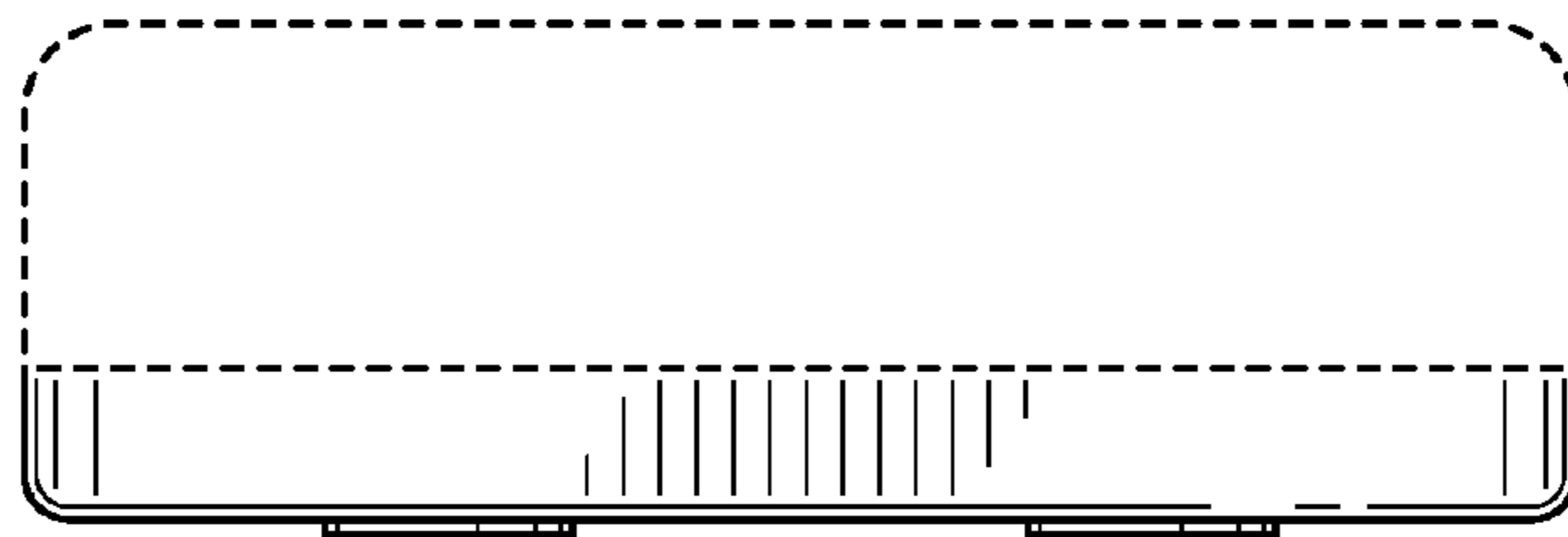


FIG. 5

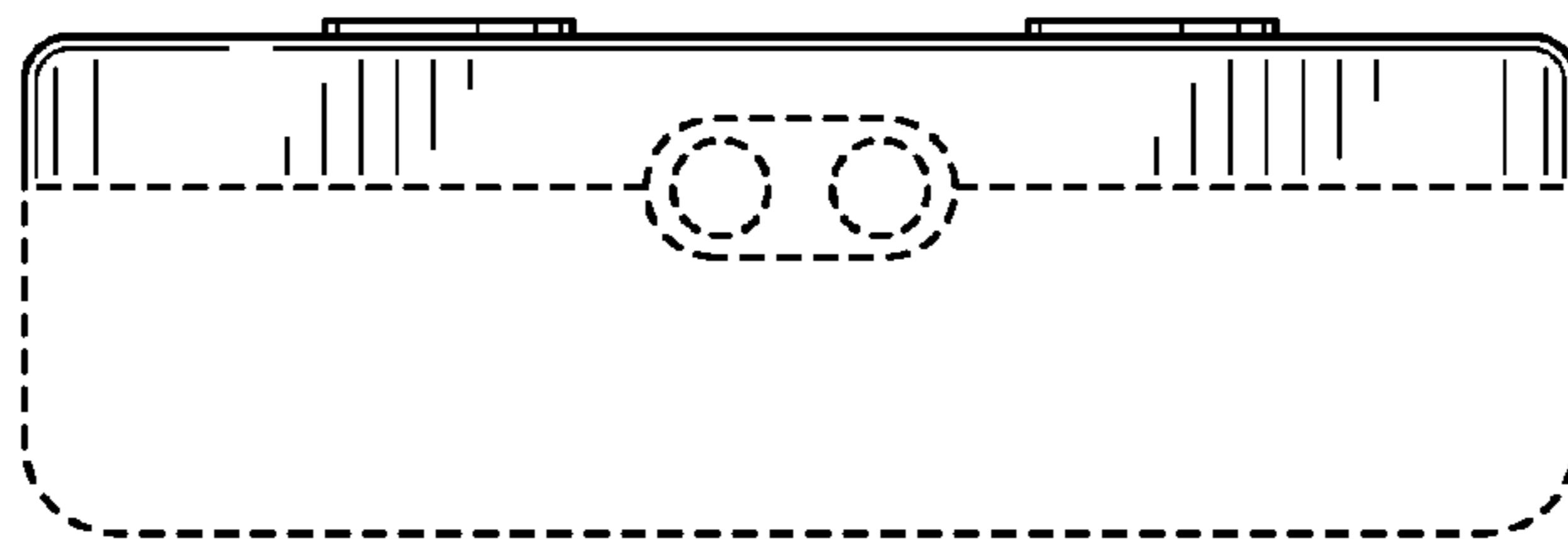


FIG. 6