



US00D575787S

(12) **United States Design Patent**  
**Su**

(10) **Patent No.:** **US D575,787 S**  
(45) **Date of Patent:** **\*\* Aug. 26, 2008**

(54) **WIRELESS NETWORK CARD**

(75) Inventor: **June-Yi Su**, Tainan (TW)

(73) Assignee: **Quanta Computer Inc.**, Tao Yuan Shien (TW)

(\*\*) Term: **14 Years**

(21) Appl. No.: **29/299,732**

(22) Filed: **Jan. 3, 2008**

(51) **LOC (8) Cl.** ..... **14-02**

(52) **U.S. Cl.** ..... **D14/436**

(58) **Field of Classification Search** ..... D14/242,  
D14/432-438; 361/600, 622, 683, 684, 686,  
361/724-728; D13/184, 123, 110; 379/433.09,  
379/433.11-433.13, 419, 440, 428.01, 428.04;  
455/550.1, 552.1, 553.1, 554.1, 554.2, 555,  
455/557, 556.1, 558, 575.1, 90.3; 439/101,  
439/108, 946, 607; 174/52.1, 35 R; 902/26  
See application file for complete search history.

(56) **References Cited**

**U.S. PATENT DOCUMENTS**

D355,412 S *	2/1995	Rak et al.	.....	D14/242
D368,911 S *	4/1996	Lam	.....	D14/242
5,513,074 A *	4/1996	Ainsbury et al.	.....	361/737
D371,770 S *	7/1996	Larson et al.	.....	D14/242
D413,879 S *	9/1999	Wu	.....	D14/436
D415,479 S *	10/1999	Yang et al.	.....	D14/436
6,122,178 A *	9/2000	Andrews et al.	.....	361/800

6,295,031 B1 *	9/2001	Wallace et al.	.....	343/702
6,400,931 B1 *	6/2002	Inkinen et al.	.....	455/90.1
6,754,083 B1 *	6/2004	Lin	.....	361/737
7,265,989 B2 *	9/2007	Son et al.	.....	361/737
2004/0173678 A1 *	9/2004	Wu	.....	235/441

\* cited by examiner

*Primary Examiner*—Melanie Tung

*Assistant Examiner*—Susan Moon Lee

(74) *Attorney, Agent, or Firm*—Thomas, Kayden,  
Horstemeyer & Risley

(57) **CLAIM**

The ornamental design for a wireless network card, as shown and described.

**DESCRIPTION**

FIG. 1 is a front, side perspective view of a wireless network card showing our new design;

FIG. 2 is a front elevational view thereof;

FIG. 3 is a rear elevational view thereof;

FIG. 4 is a left side elevational view thereof;

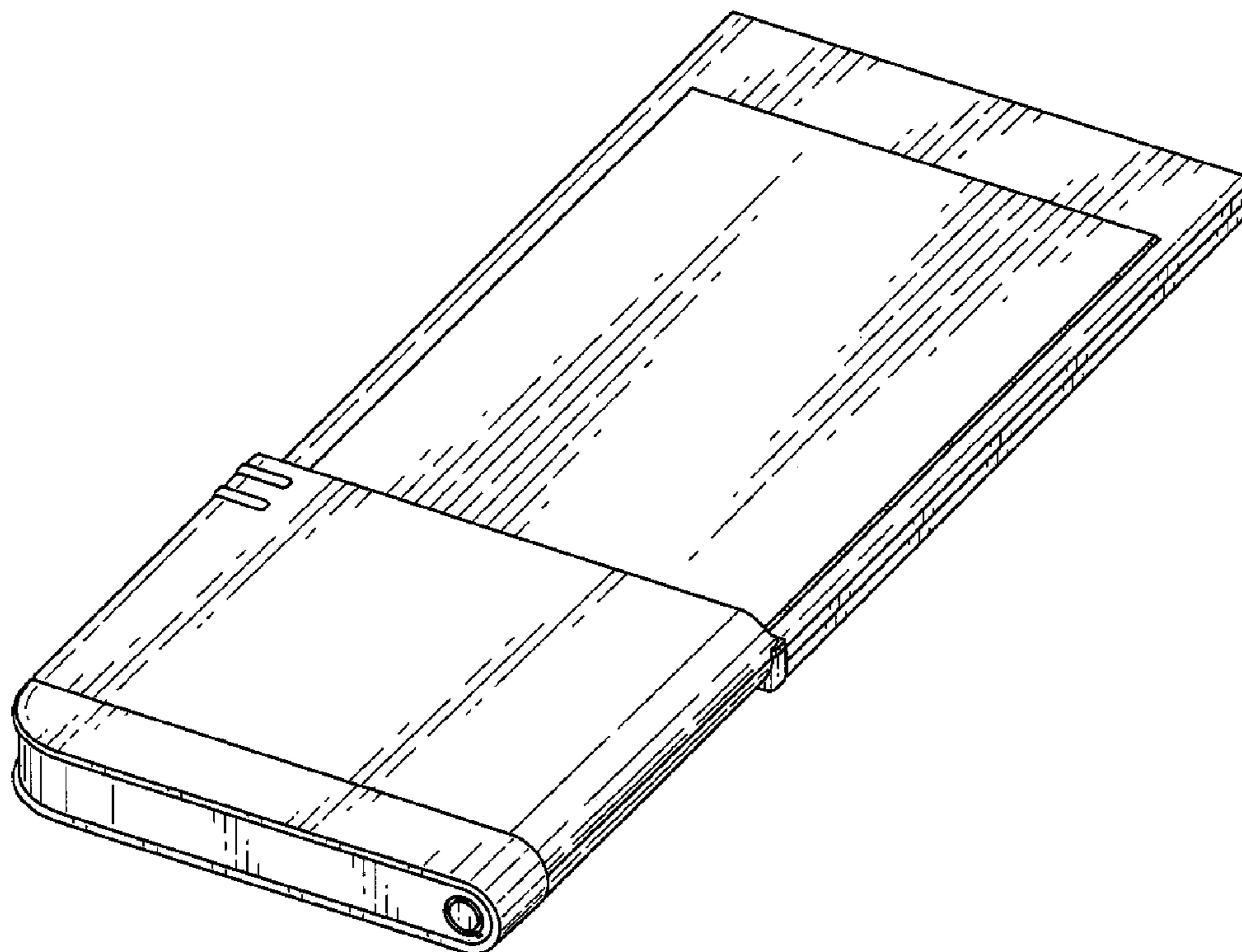
FIG. 5 is a right side elevational view thereof;

FIG. 6 is a top plan view thereof;

FIG. 7 is a bottom plan view thereof; and,

FIG. 8 is an enlarged perspective view of the wireless network card with the antenna shown extended.

**1 Claim, 5 Drawing Sheets**



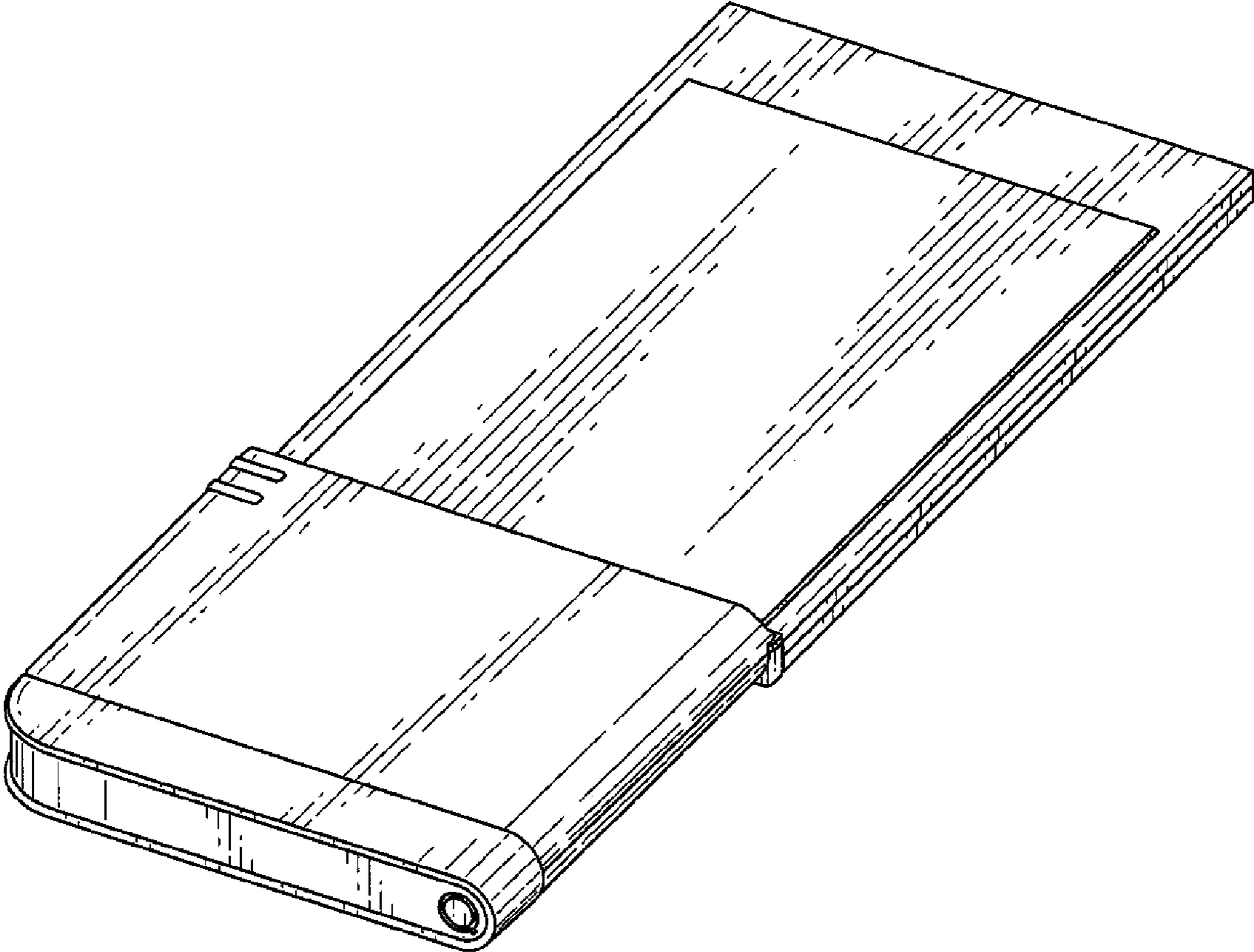


FIG. 1

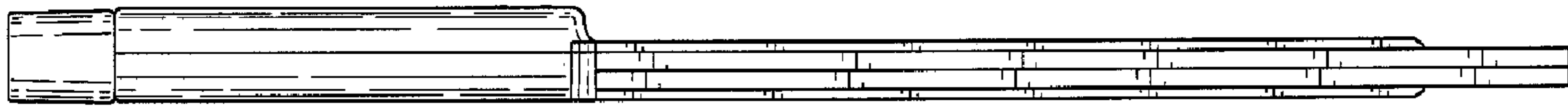


FIG. 2

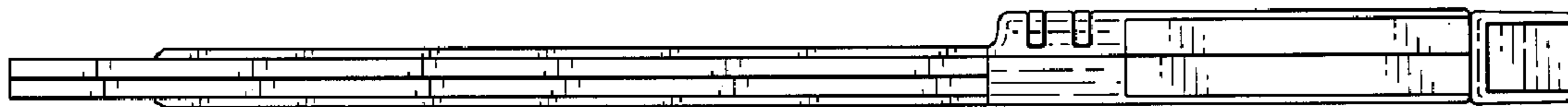


FIG. 3

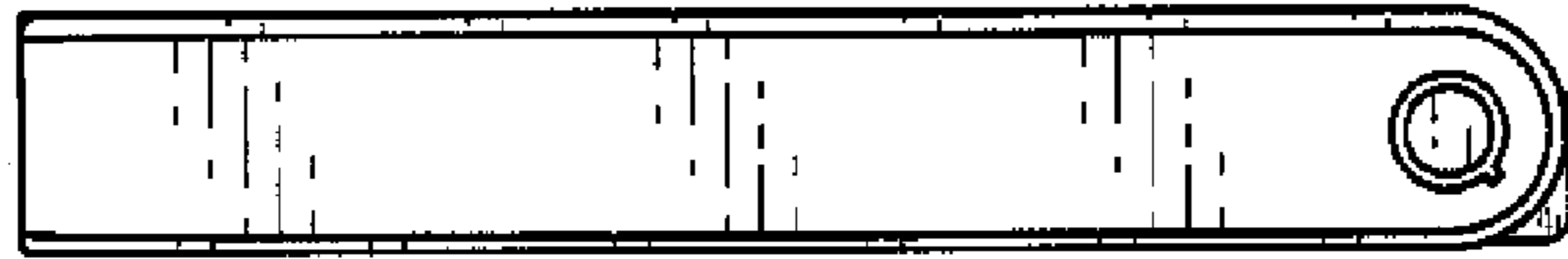


FIG. 4

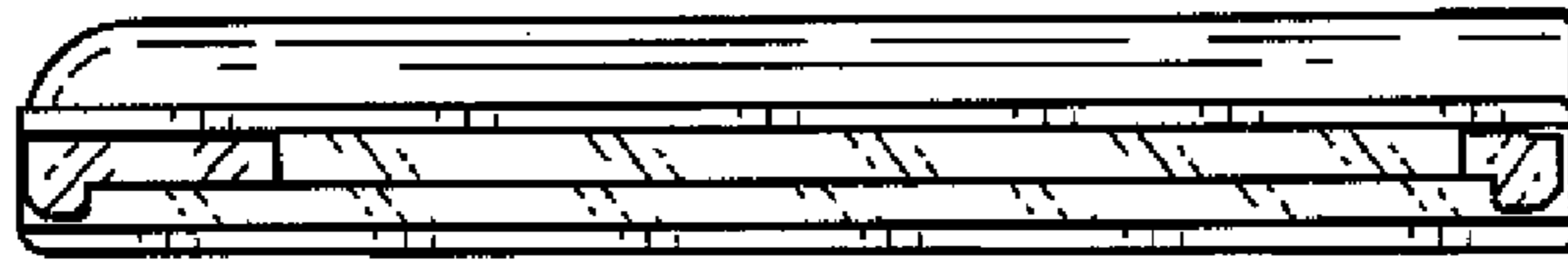


FIG. 5

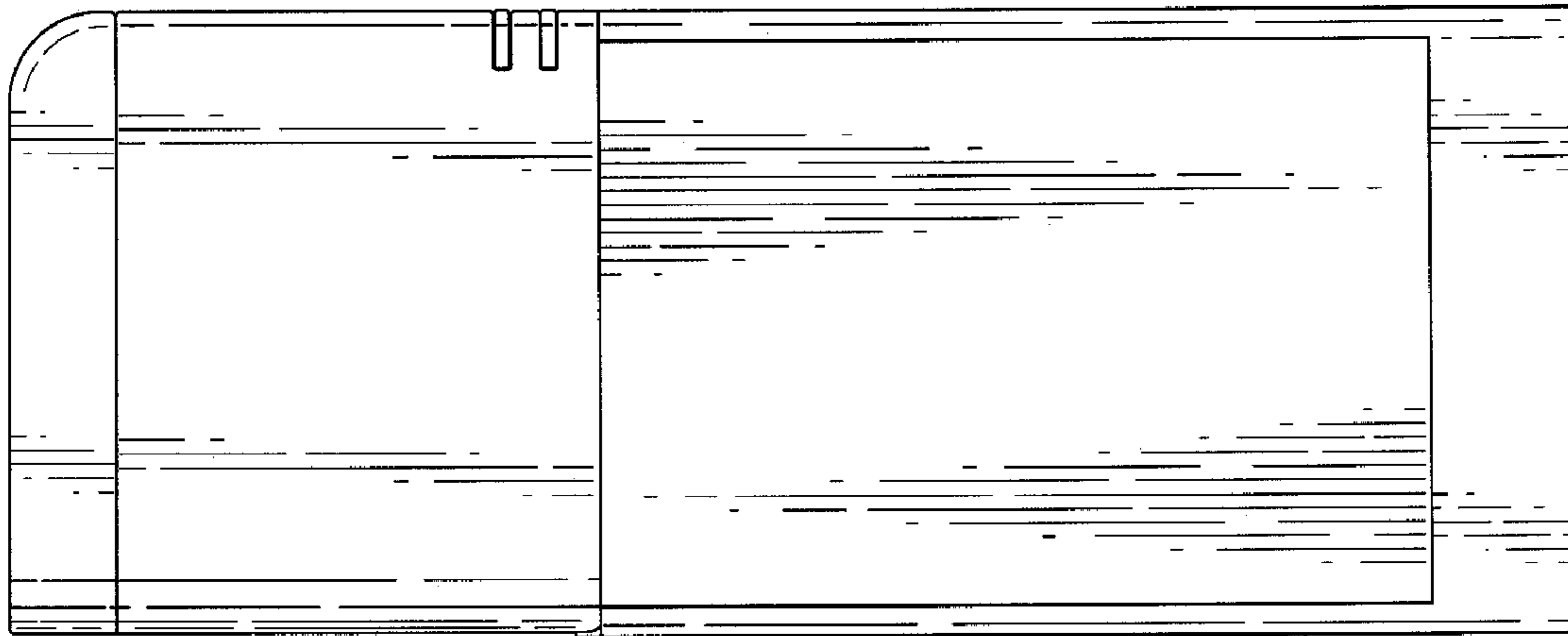


FIG. 6

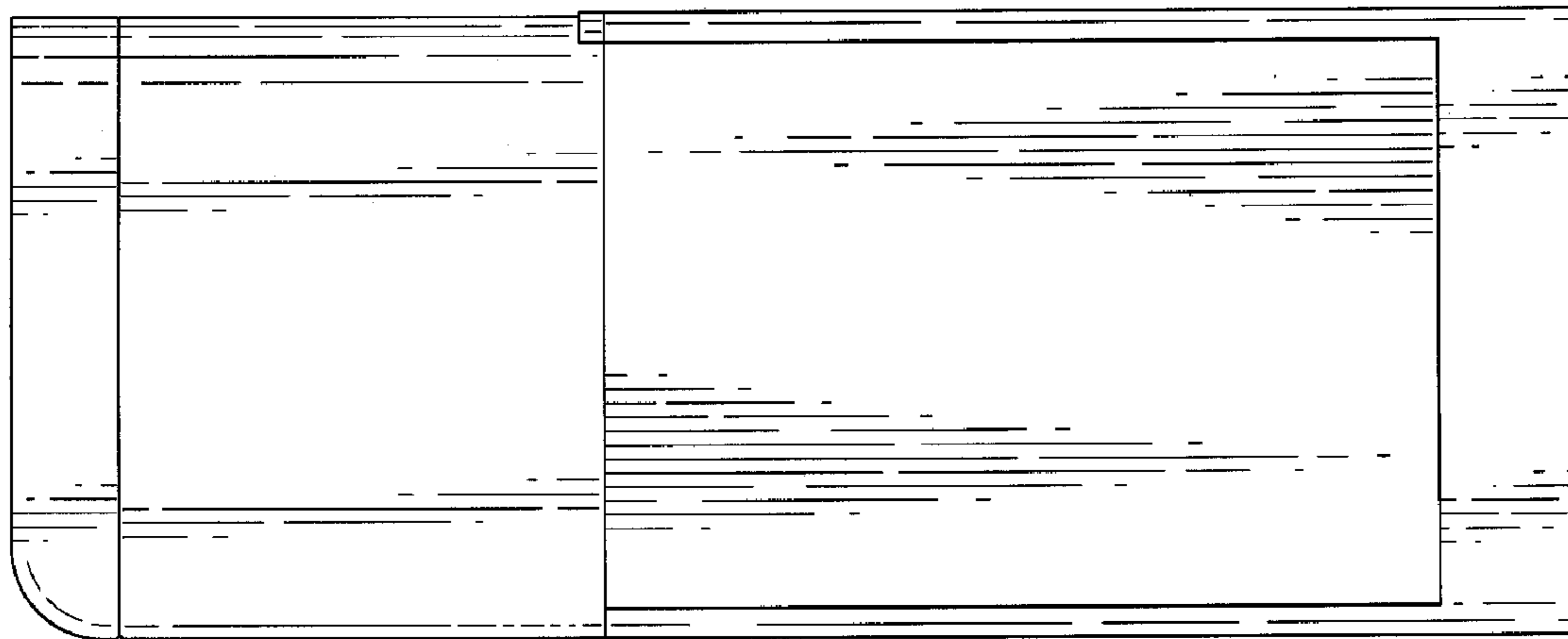


FIG. 7

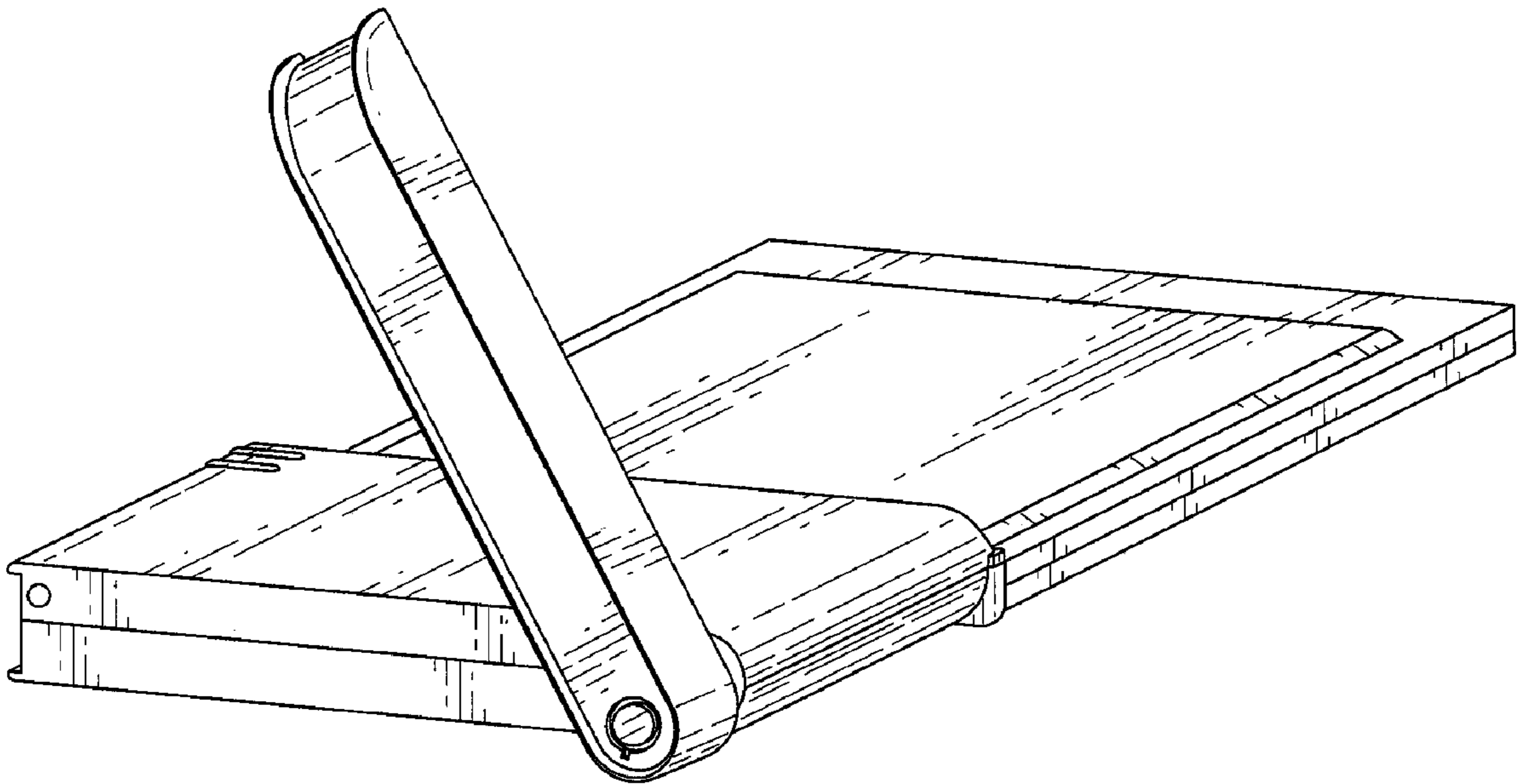


FIG. 8