

US00D575786S

(12) **United States Design Patent**
Solomon et al.

(10) **Patent No.:** **US D575,786 S**

(45) **Date of Patent:** **** Aug. 26, 2008**

(54) **COMPUTER DOCKING STATION**

(75) Inventors: **Mark C. Solomon**, Corvallis, OR (US);
Jonathan R. Harris, Cypress, TX (US);
Kevin L. Massaro, Houston, TX (US)

(73) Assignee: **Hewlett-Packard Development**
Company, L.P., Houston, TX (US)

(**) Term: **14 Years**

(21) Appl. No.: **29/241,113**

(22) Filed: **Oct. 24, 2005**

(51) **LOC (8) Cl.** **14-02**

(52) **U.S. Cl.** **D14/434**

(58) **Field of Classification Search** D14/434,
D14/447, 432, 315; 361/686, 681, 725-727,
361/683, 818; 439/638, 372, 352, 639, 248,
439/654, 341; 248/917, 175, 918, 924; 364/708.1;
710/303, 304; 312/223.2; 345/169; 320/107,
320/110, 113; 16/334; 403/93, 96; 428/317.1,
428/318.4, 319.1, 902, 922

See application file for complete search history.

(56) **References Cited**

U.S. PATENT DOCUMENTS

5,408,382	A *	4/1995	Schultz et al.	361/686
5,436,792	A *	7/1995	Leman et al.	361/686
5,544,010	A *	8/1996	Schultz et al.	361/686
5,619,397	A *	4/1997	Honda et al.	361/686
5,645,261	A *	7/1997	Glynn	248/551
5,774,332	A *	6/1998	Ruch et al.	361/686
D412,494	S *	8/1999	Tamaki et al.	D14/314
6,043,976	A *	3/2000	Su	361/686
6,152,414	A *	11/2000	Jondrow	248/346.03
6,185,094	B1	2/2001	Ruch et al.	
6,208,508	B1 *	3/2001	Ruch et al.	361/686
6,266,241	B1 *	7/2001	Van Brocklin et al.	361/687
6,282,082	B1 *	8/2001	Armitage et al.	361/681
D454,131	S *	3/2002	Lord	D14/434
D458,600	S *	6/2002	Freitag et al.	D14/314
6,407,914	B1	6/2002	Helot	
6,480,376	B1	11/2002	Nguyen et al.	

D467,584	S *	12/2002	Sabella et al.	D14/385
6,490,154	B2	12/2002	Thompson	
6,501,646	B2	12/2002	Suzuki	
6,519,143	B1	2/2003	Goko	
D472,900	S *	4/2003	Matsumoto	D14/447
6,545,864	B2 *	4/2003	Davis, IV	361/683
6,556,435	B1 *	4/2003	Helot et al.	361/686
6,581,420	B1 *	6/2003	Ling et al.	70/58
6,608,749	B2 *	8/2003	Hubbard	361/683
6,667,881	B2 *	12/2003	Oross et al.	361/686
6,697,252	B2	2/2004	Maeda	
6,711,921	B1 *	3/2004	Yang	70/58
6,856,506	B2	2/2005	Doherty et al.	
6,898,080	B2	5/2005	Yin et al.	

(Continued)

Primary Examiner—Melanie Tung
Assistant Examiner—Susan Moon Lee

(57) **CLAIM**

The ornamental design for a computer docking station, as shown.

DESCRIPTION

FIG. 1 is a perspective view taken from the top and right side of a computer docking station showing the new design;

FIG. 2 is a front view thereof;

FIG. 3 is a right side view thereof;

FIG. 4 is a left side view thereof;

FIG. 5 is a rear view thereof;

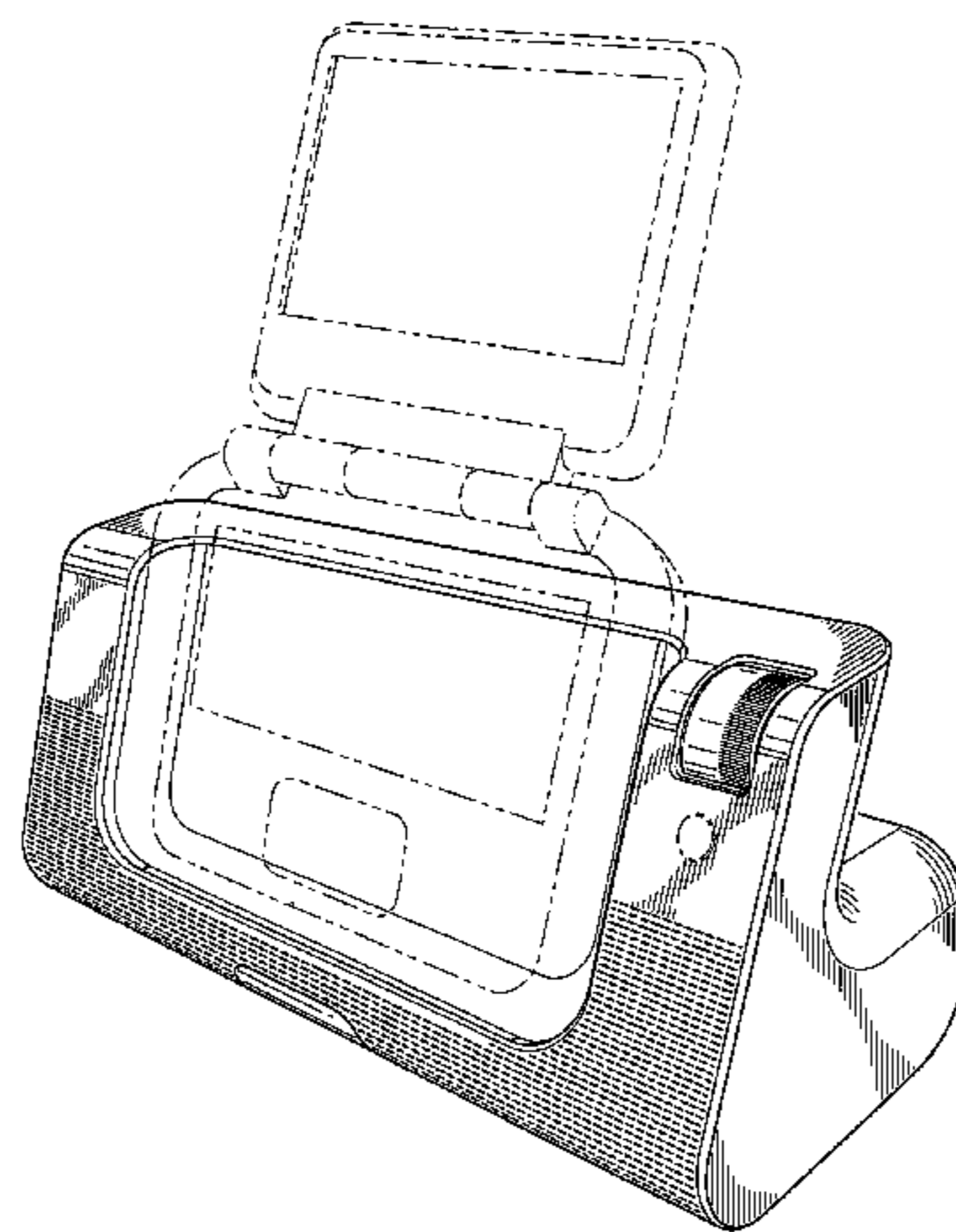
FIG. 6 is a top view thereof; and,

FIG. 7 is a rear and right side perspective view of the computer docking station.

The broken line showing both the laptop computer and the round button underneath the front dial is for illustrative purposes only and forms no part of the claimed design.

The dashed texture lines running along the lower half of the front of the docking station in FIGS. 1, 2 and 6 form part of the claimed design.

1 Claim, 4 Drawing Sheets



US D575,786 S

Page 2

U.S. PATENT DOCUMENTS			
2001/0000447	A1	4/2001	Thompson
2001/0030851	A1	10/2001	Usui et al.
2002/0159231	A1*	10/2002	Nguyen et al. 361/686
2003/0067743	A1	4/2003	Liao et al.
2003/0128505	A1*	7/2003	Yin et al. 361/686
2003/0147209	A1*	8/2003	Oross et al. 361/686
2004/0017652	A1	1/2004	Billington et al.
2004/0090742	A1	5/2004	Son et al.
2005/0162824	A1	7/2005	Thompson

* cited by examiner

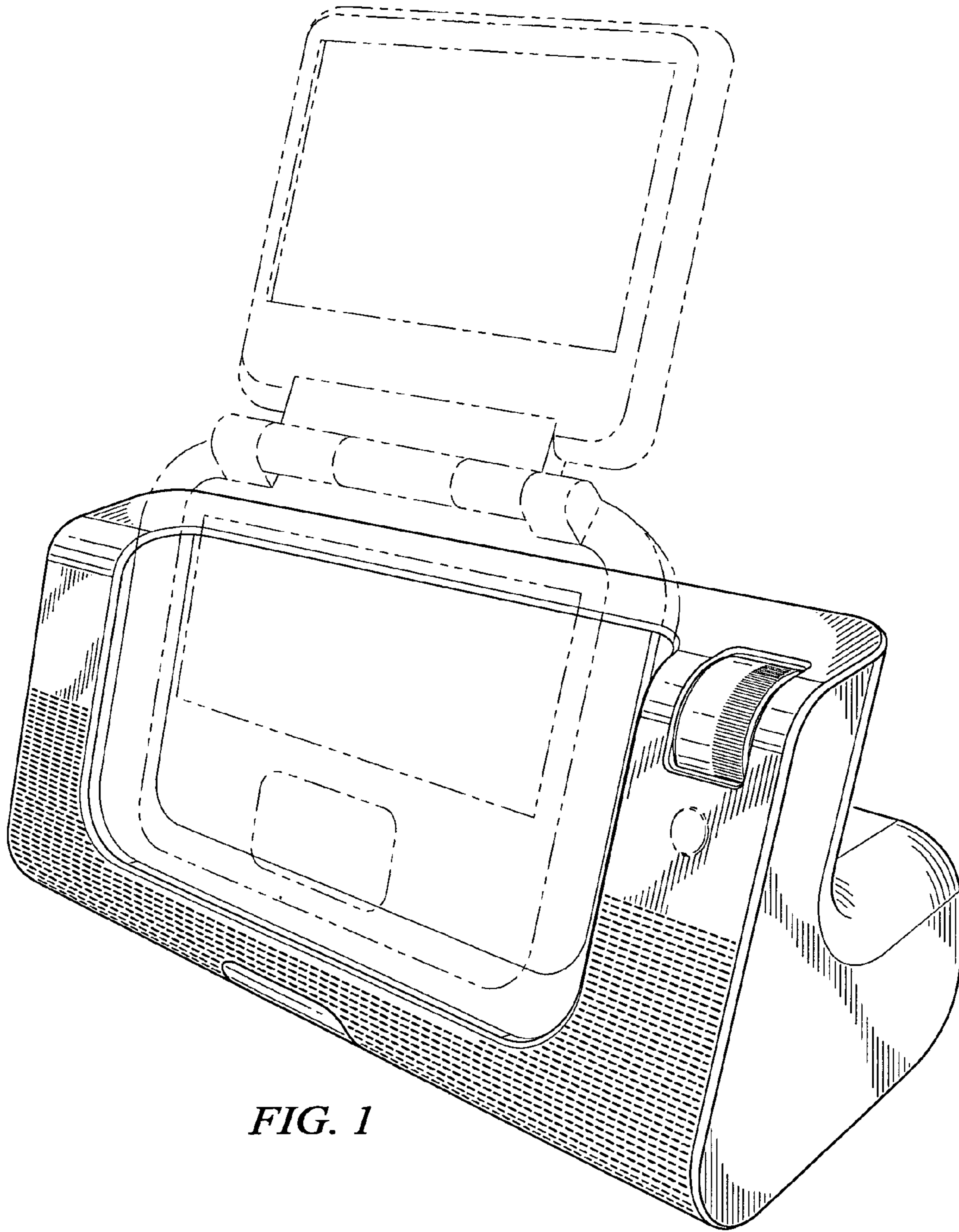


FIG. 1

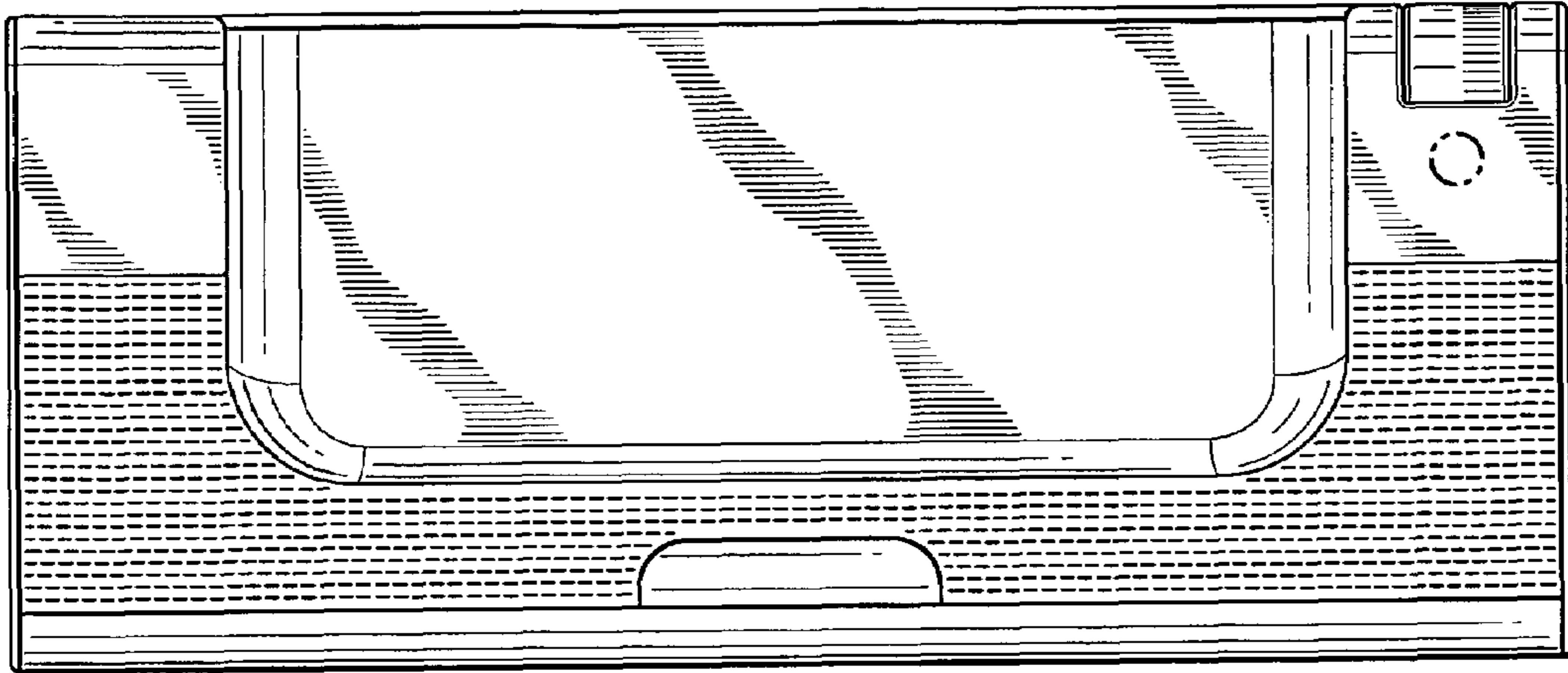


FIG. 2

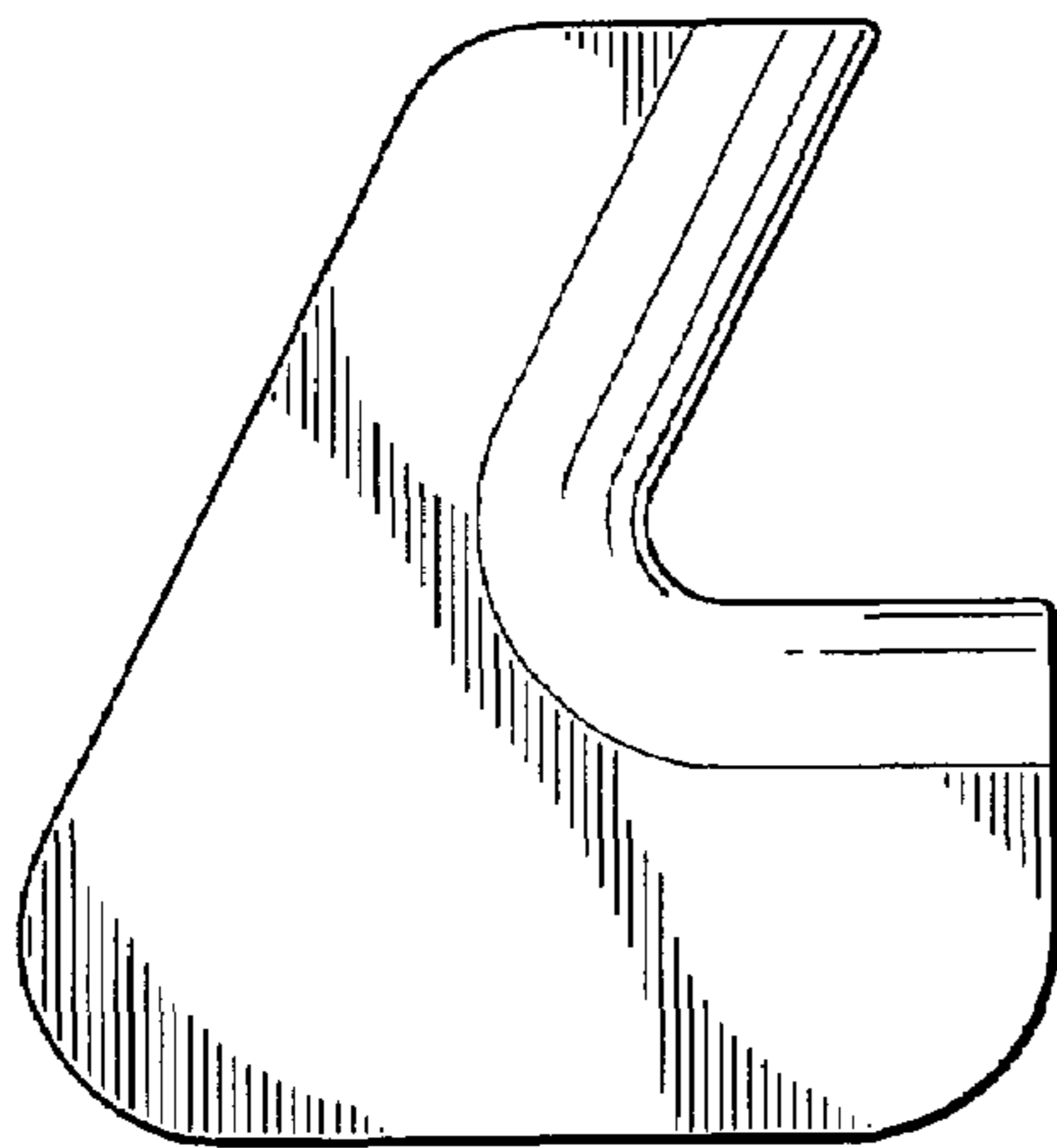


FIG. 3

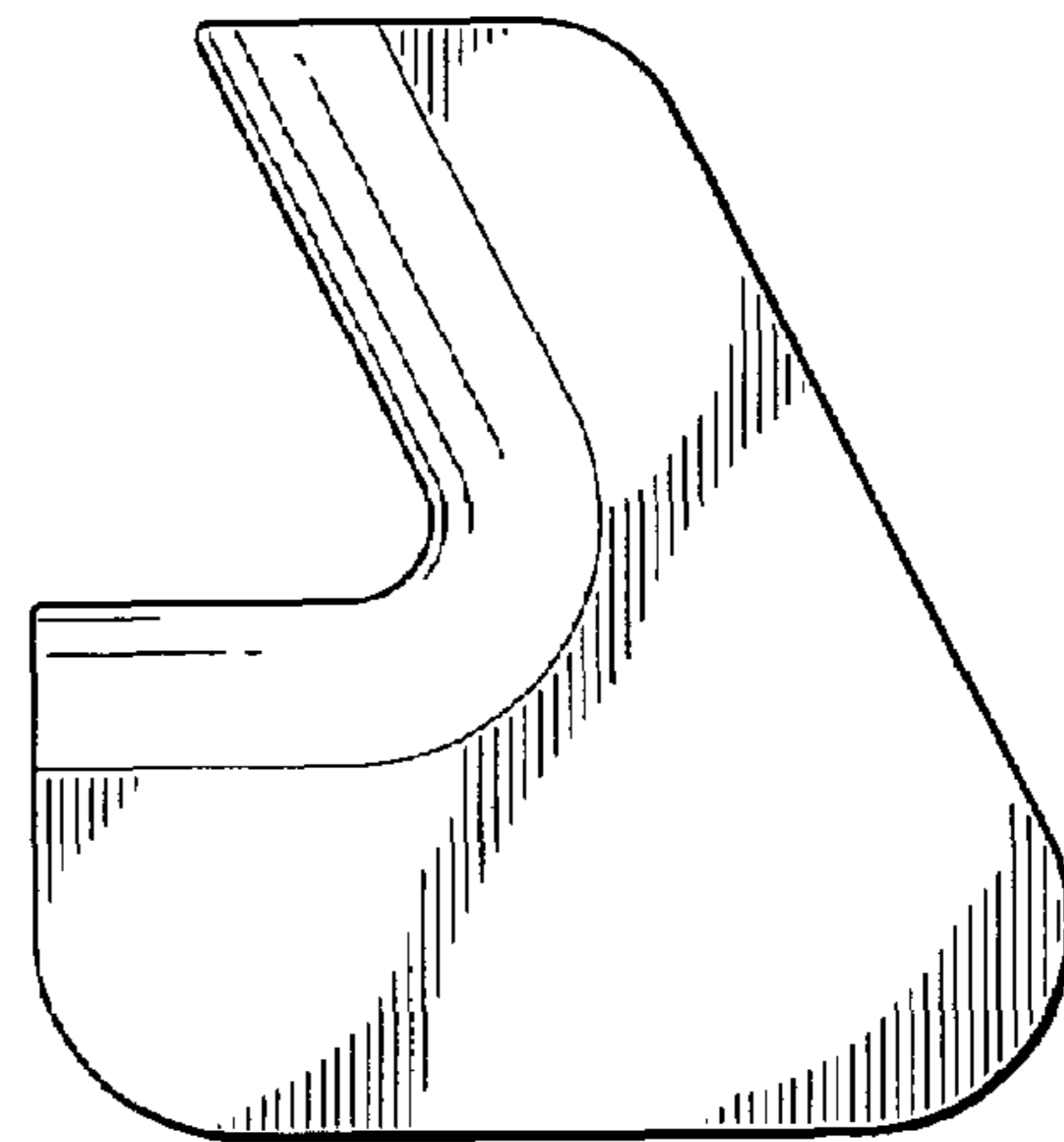


FIG. 4

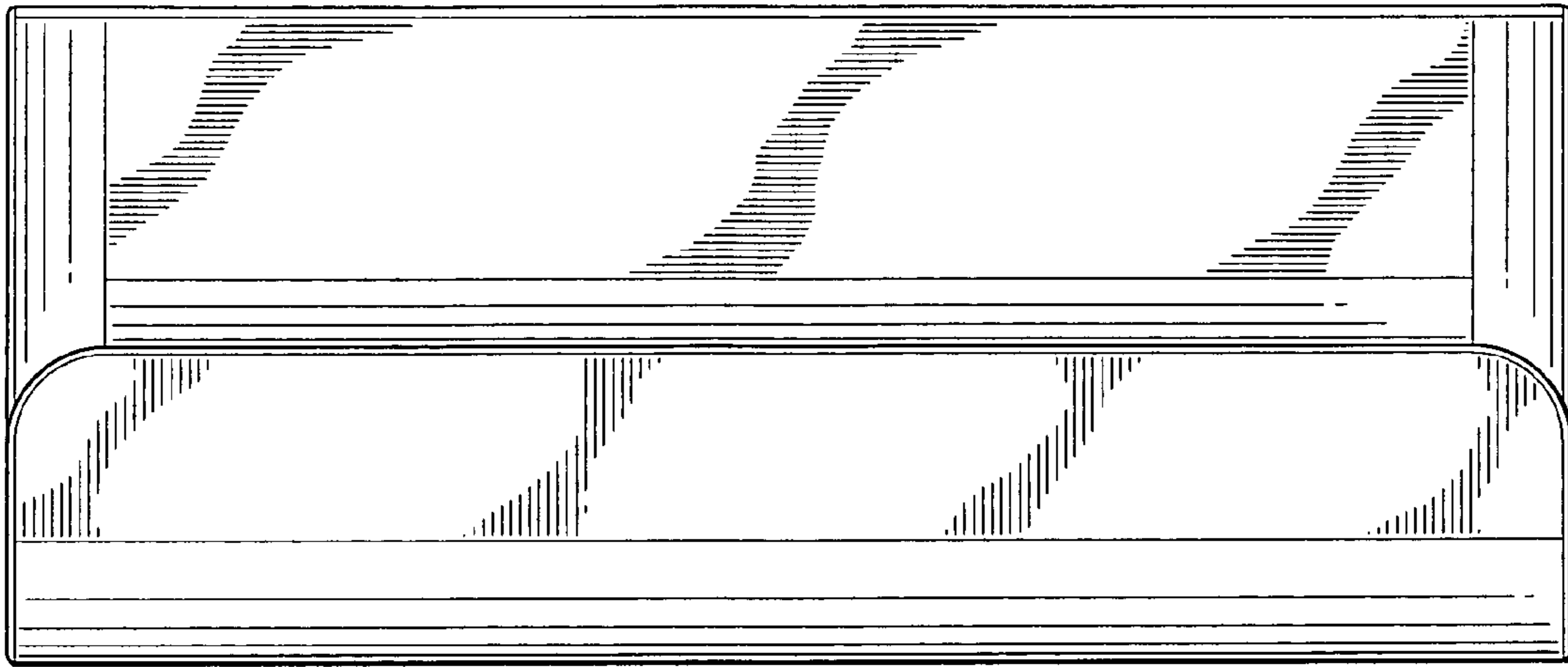


FIG. 5

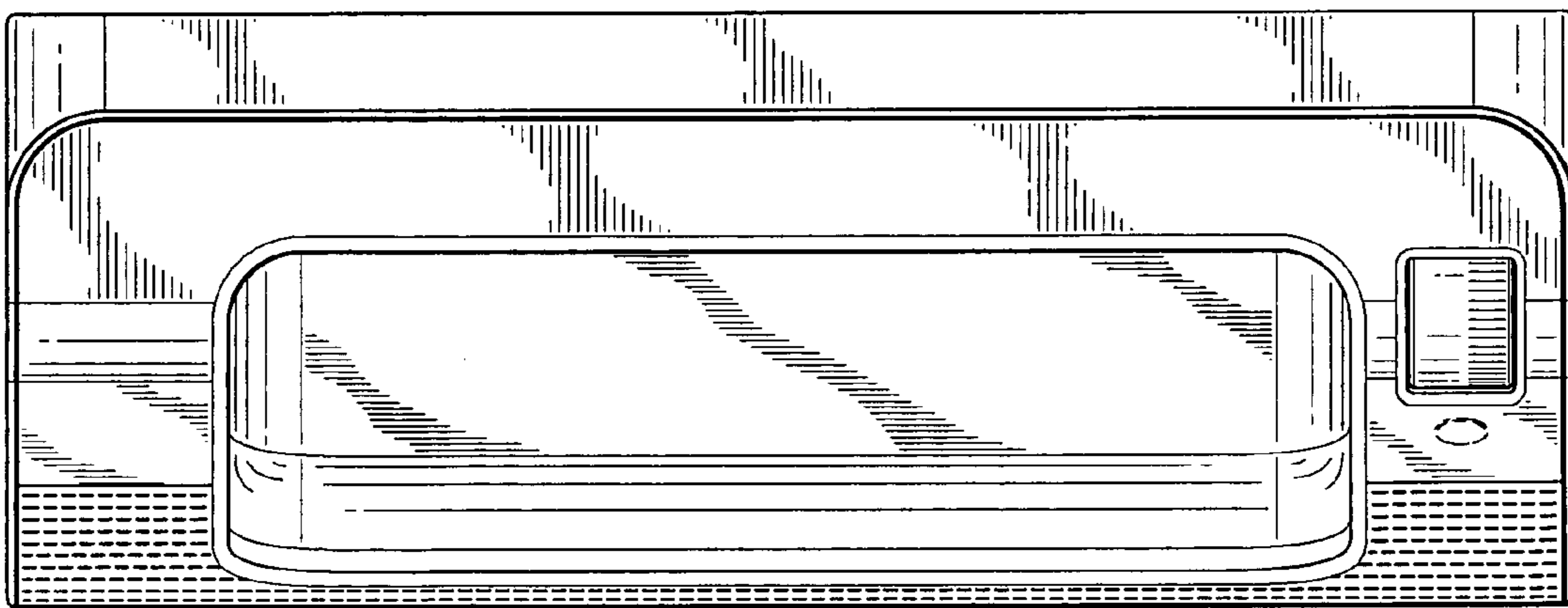


FIG. 6

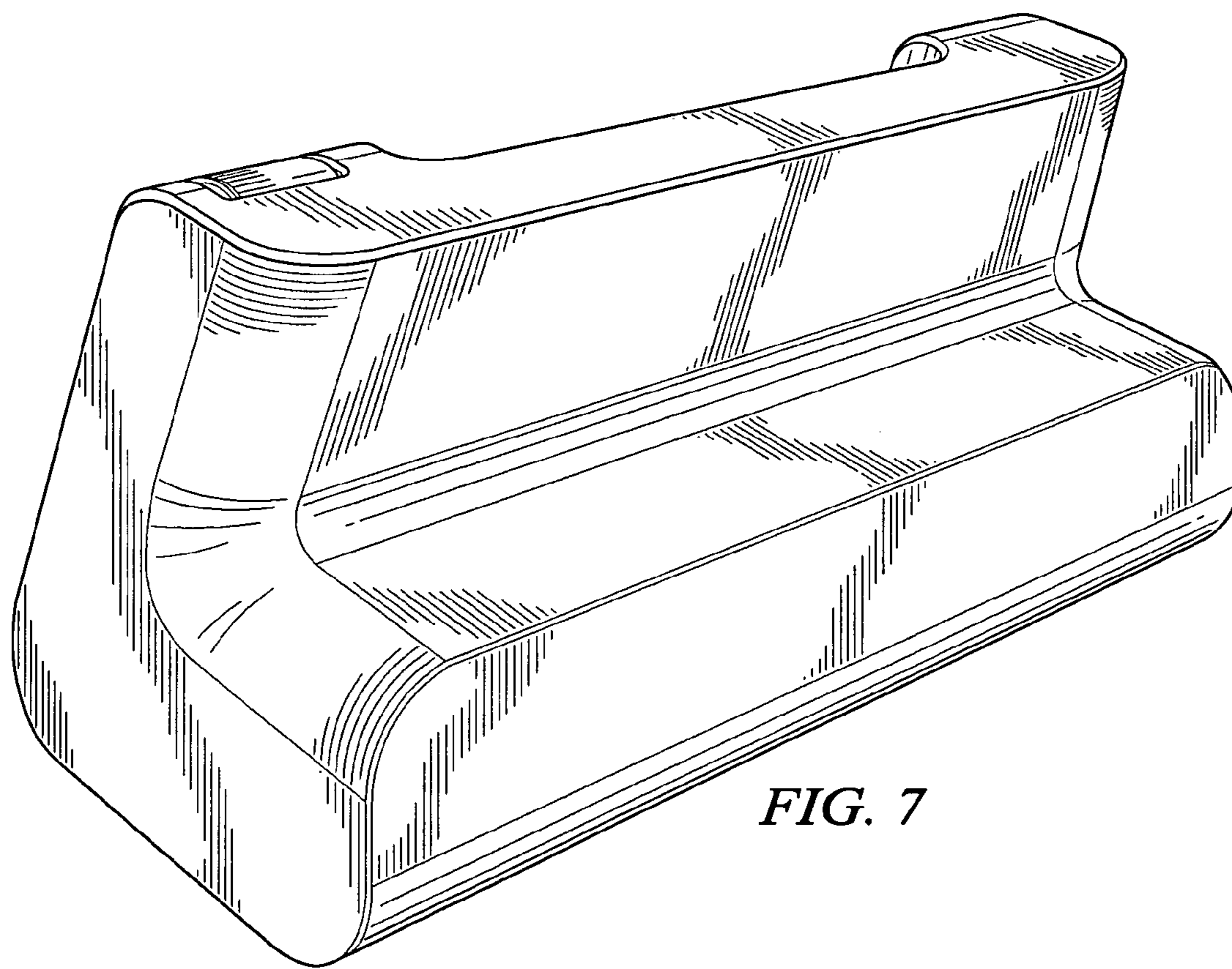


FIG. 7