



US00D575785S

(12) **United States Design Patent**
Chang

(10) **Patent No.:** **US D575,785 S**

(45) **Date of Patent:** **** Aug. 26, 2008**

(54) **KVM ADAPTER CABLE**

(75) Inventor: **Kuo-Lin Chang**, Taipei (TW)

(73) Assignee: **Aten Intenational Co., Ltd.**, Taipei (TW)

(**) Term: **14 Years**

(21) Appl. No.: **29/278,445**

(22) Filed: **Mar. 30, 2007**

(51) **LOC (8) Cl.** **14-02**

(52) **U.S. Cl.** **D14/432; D14/433**

(58) **Field of Classification Search** D14/356-358, D14/362, 363, 365, 368, 370, 383, 385, 388, D14/432, 433, 435, 439, 442, 443; D13/147, D13/158, 162, 164, 171; 439/638; 710/10, 710/62, 100, 63, 316, 16, 72

See application file for complete search history.

(56) **References Cited**

U.S. PATENT DOCUMENTS

- D478,548 S * 8/2003 Wu D13/133
- D503,408 S * 3/2005 Lian et al. D14/496
- D520,997 S * 5/2006 Lee et al. D14/356

D551,626 S * 9/2007 Ho et al. D13/147

* cited by examiner

Primary Examiner—Cathron Brooks

Assistant Examiner—Deanna Fluegeman

(74) *Attorney, Agent, or Firm*—Thomas, Kayden Horstemeyer & Risley

(57) **CLAIM**

The ornamental design for a KVM adapter cable, as shown and described.

DESCRIPTION

FIG. 1 is a front perspective view of a KVM adapter cable according to the present invention;

FIG. 2 is a front elevational view thereof;

FIG. 3 is a rear elevational view thereof;

FIG. 4 is a right side elevational view thereof;

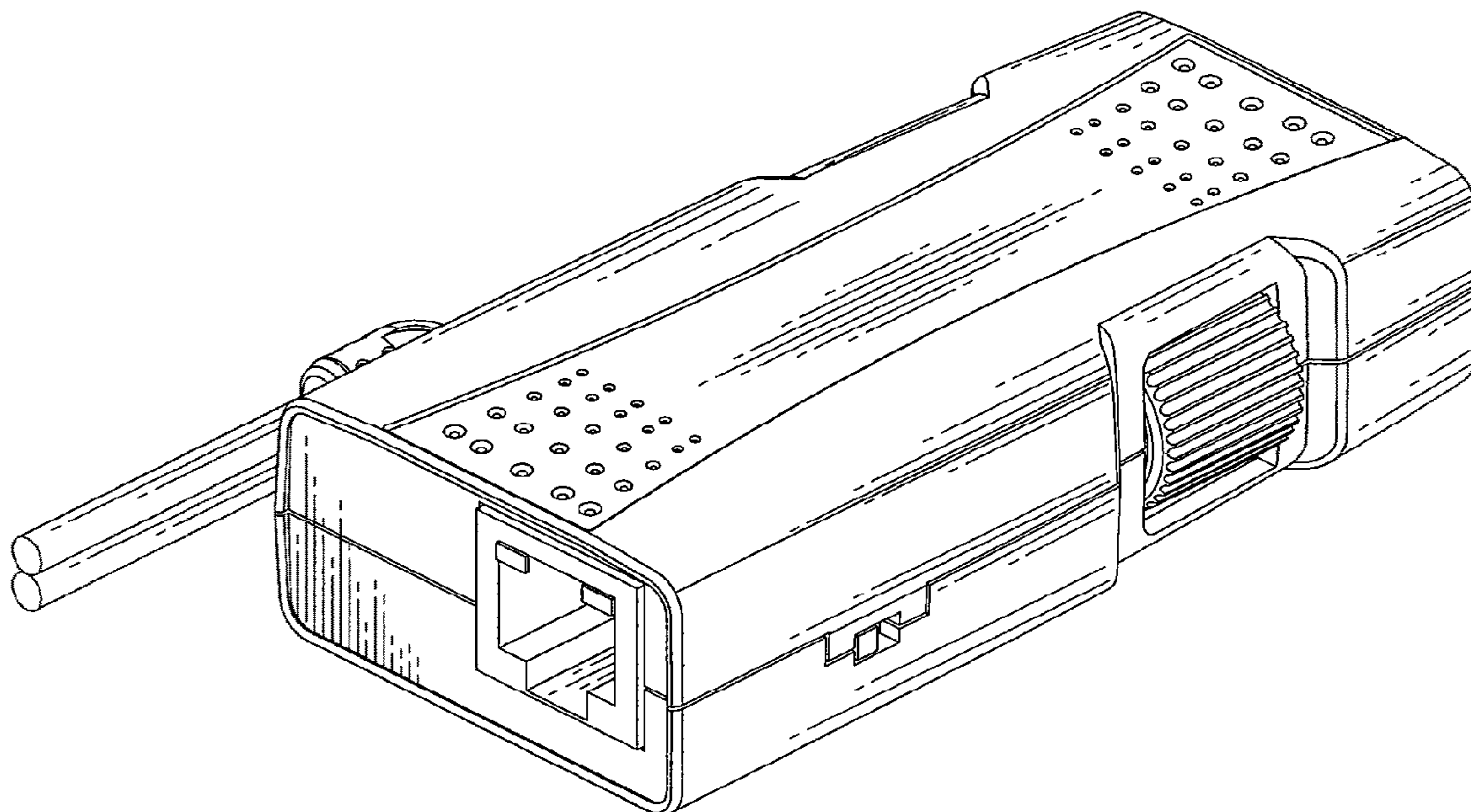
FIG. 5 is a left side elevational view thereof;

FIG. 6 is a top plane view thereof;

FIG. 7 is a bottom plane view thereof; and,

FIG. 8 is a back perspective view thereof.

1 Claim, 8 Drawing Sheets



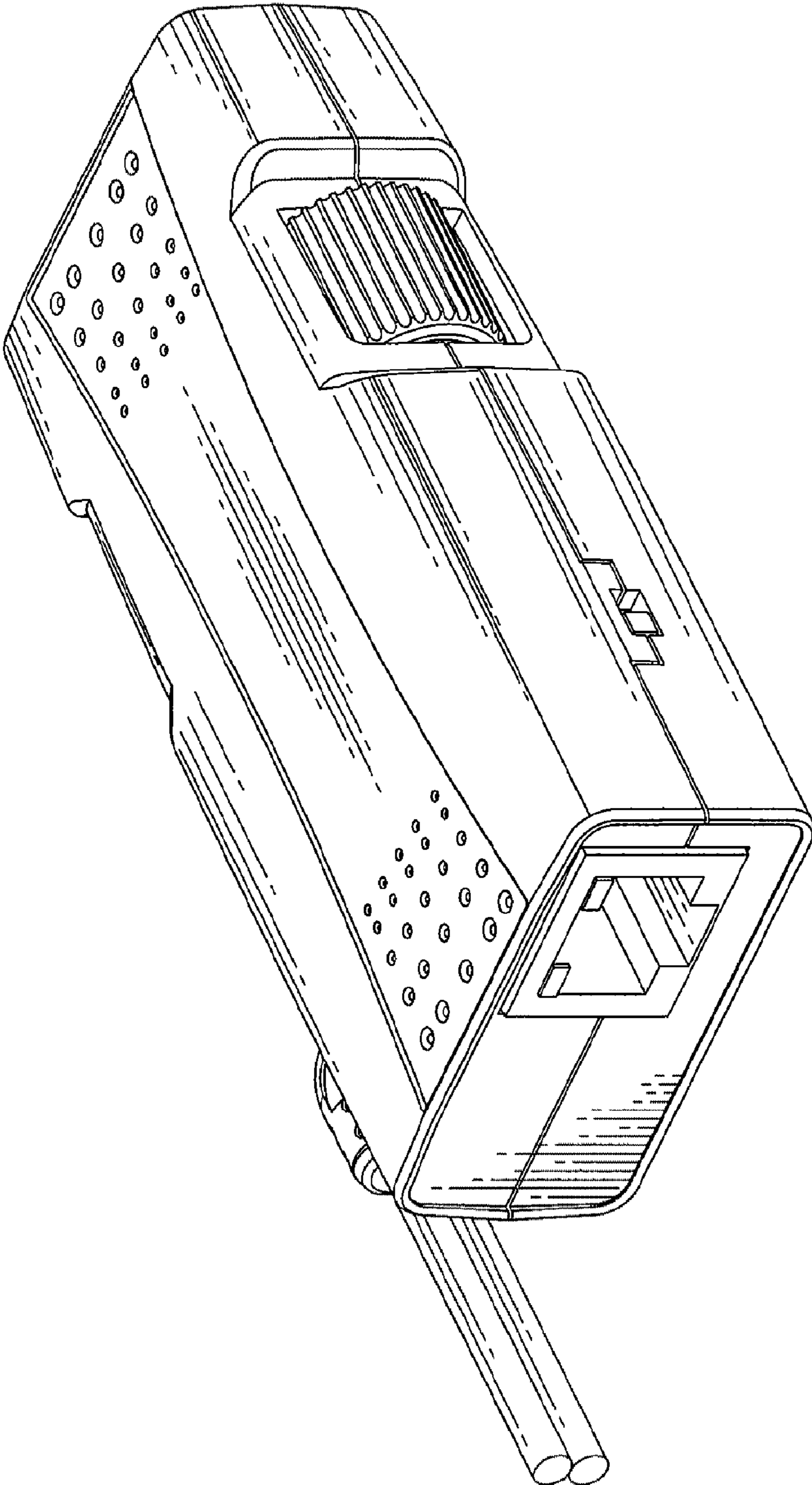


FIG. 1

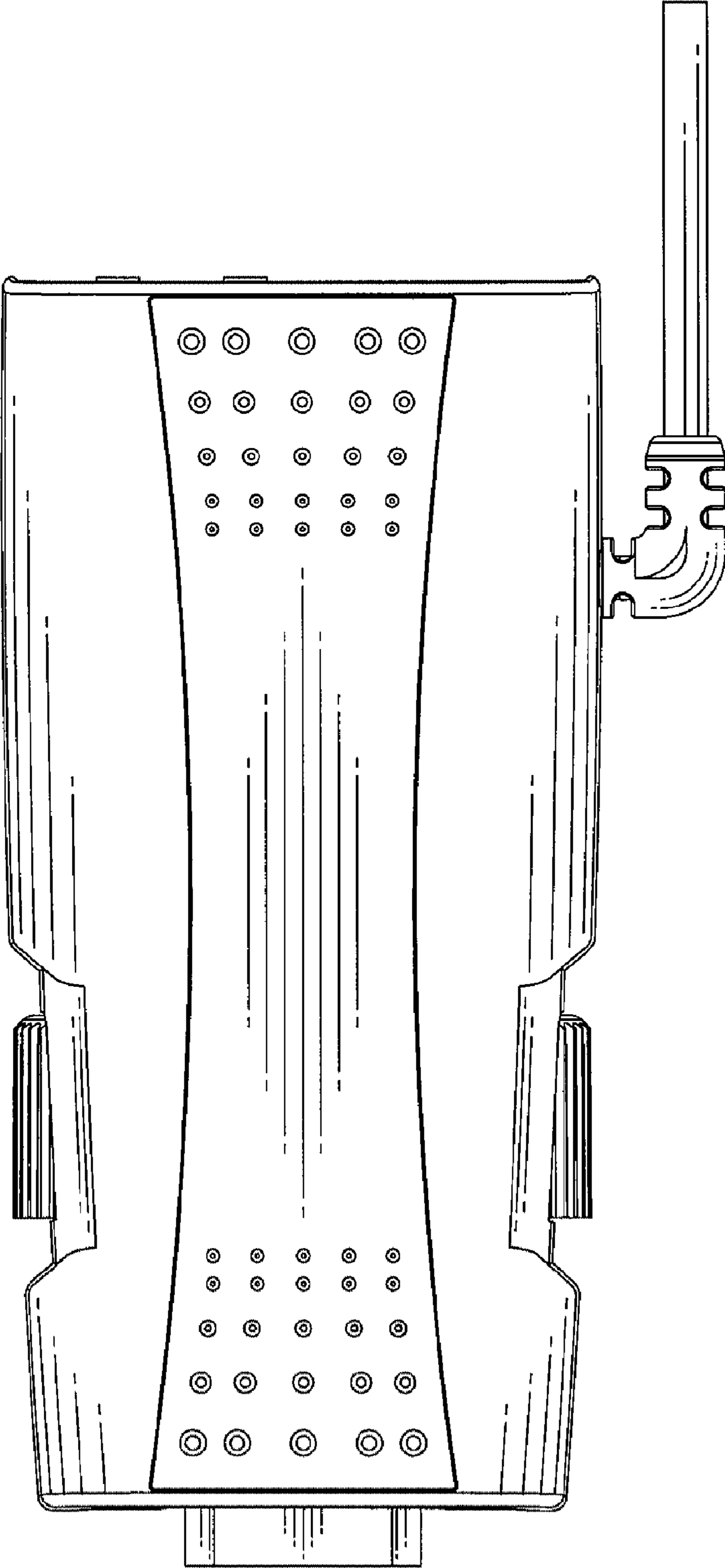


FIG. 2

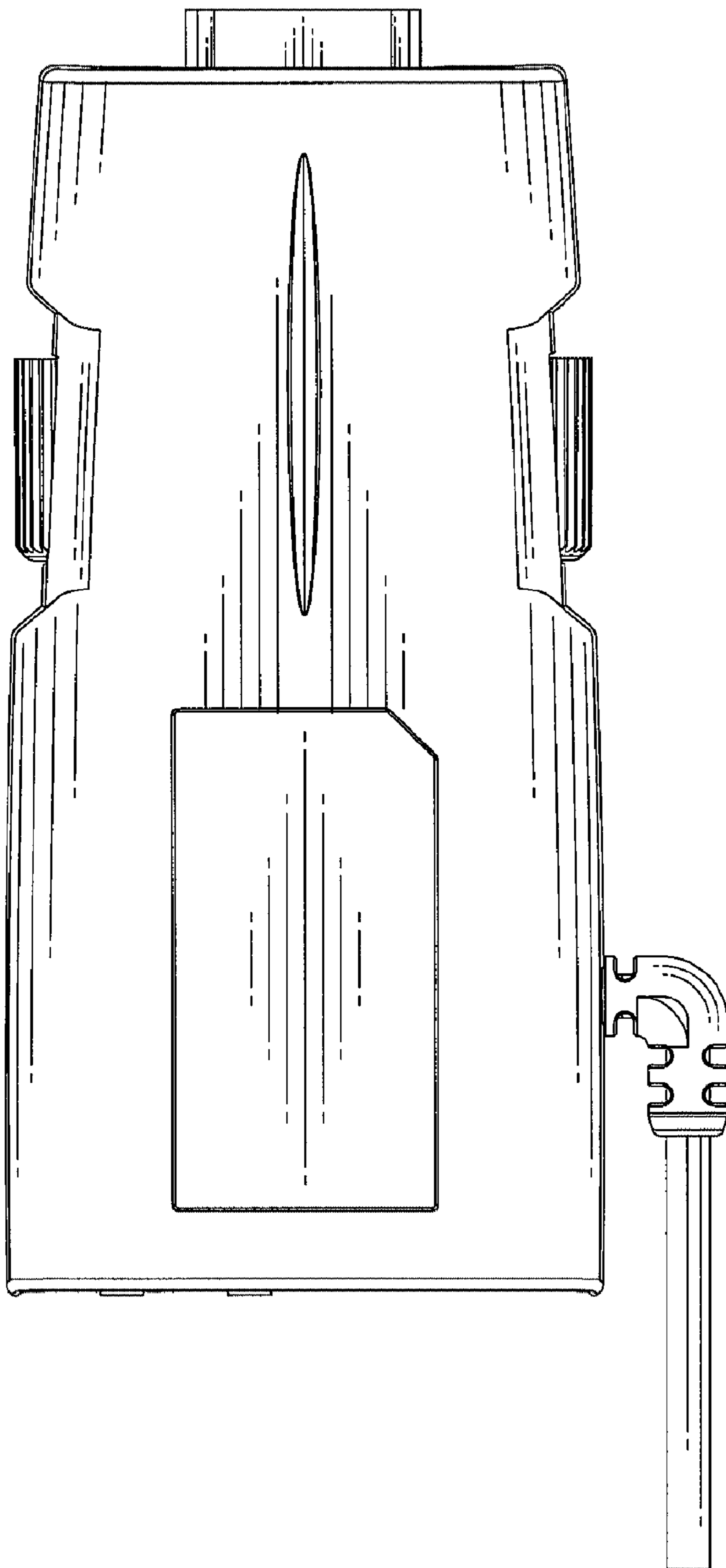


FIG. 3

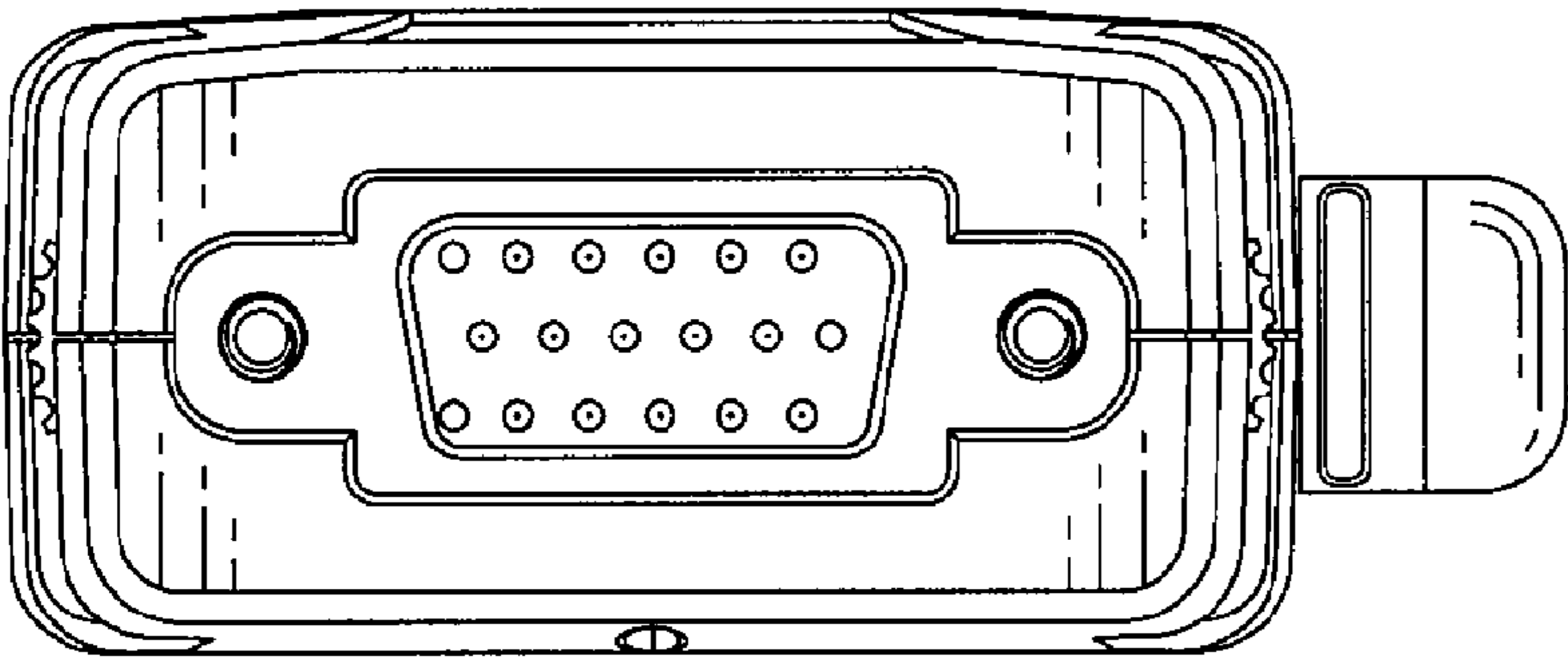


FIG. 4

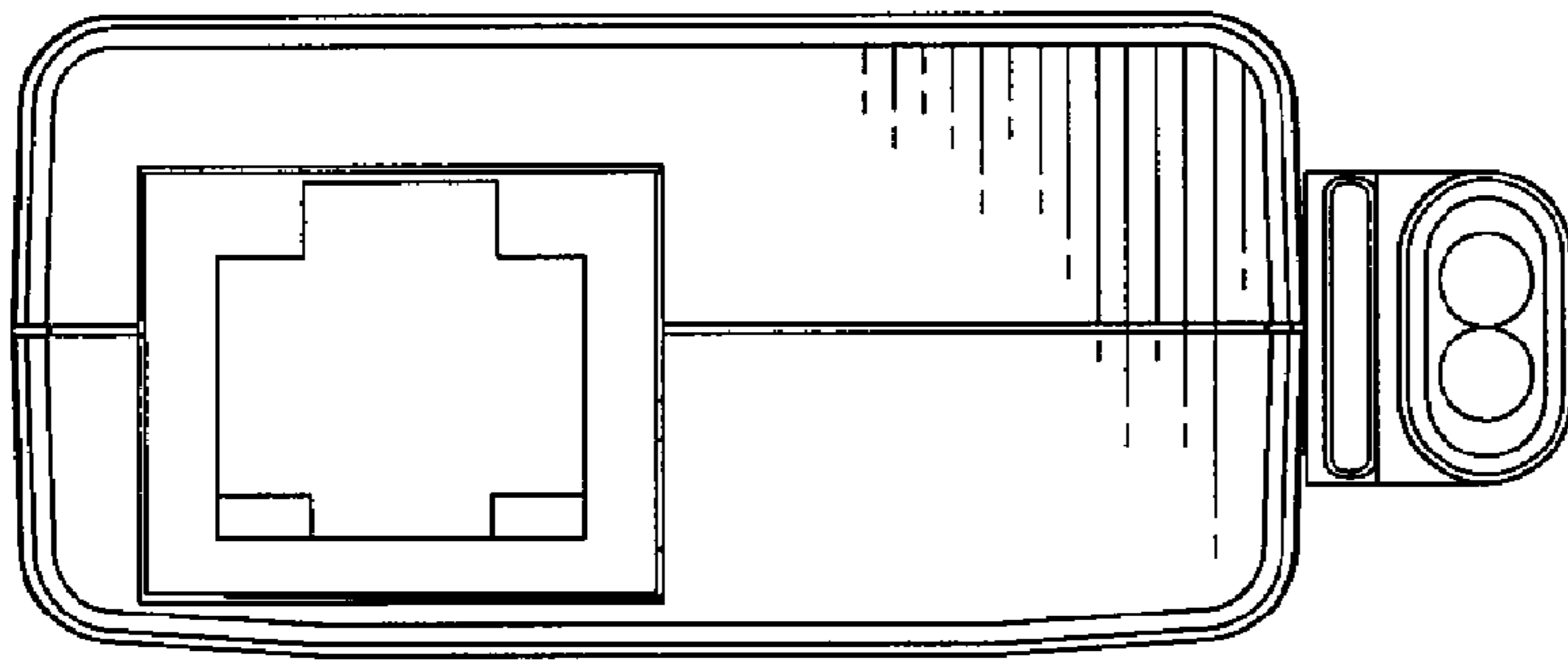


FIG. 5

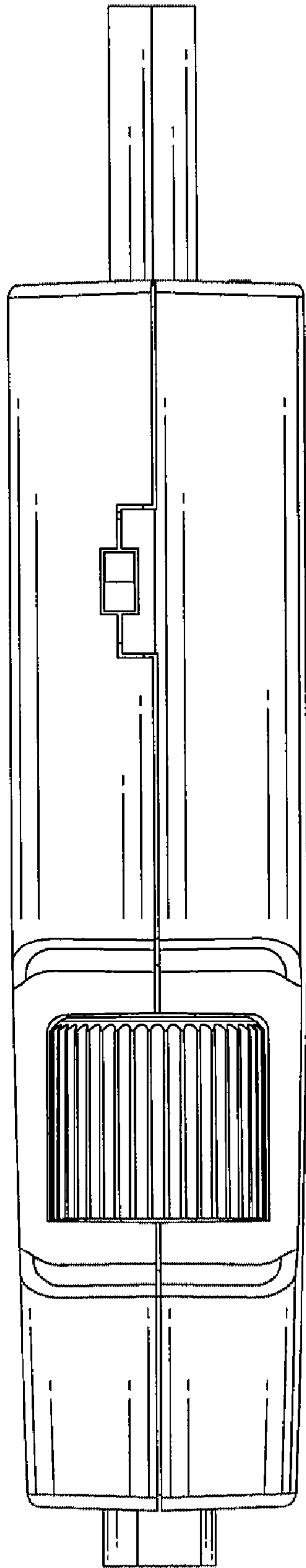


FIG. 6

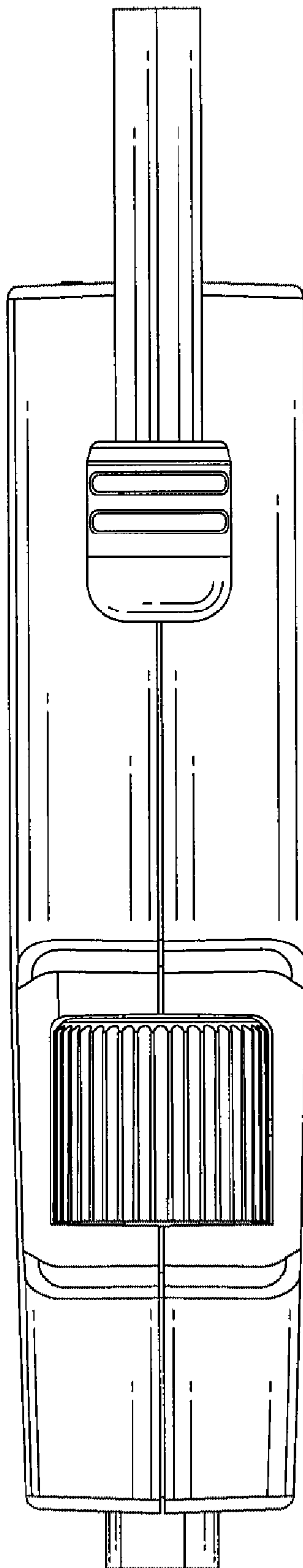


FIG. 7

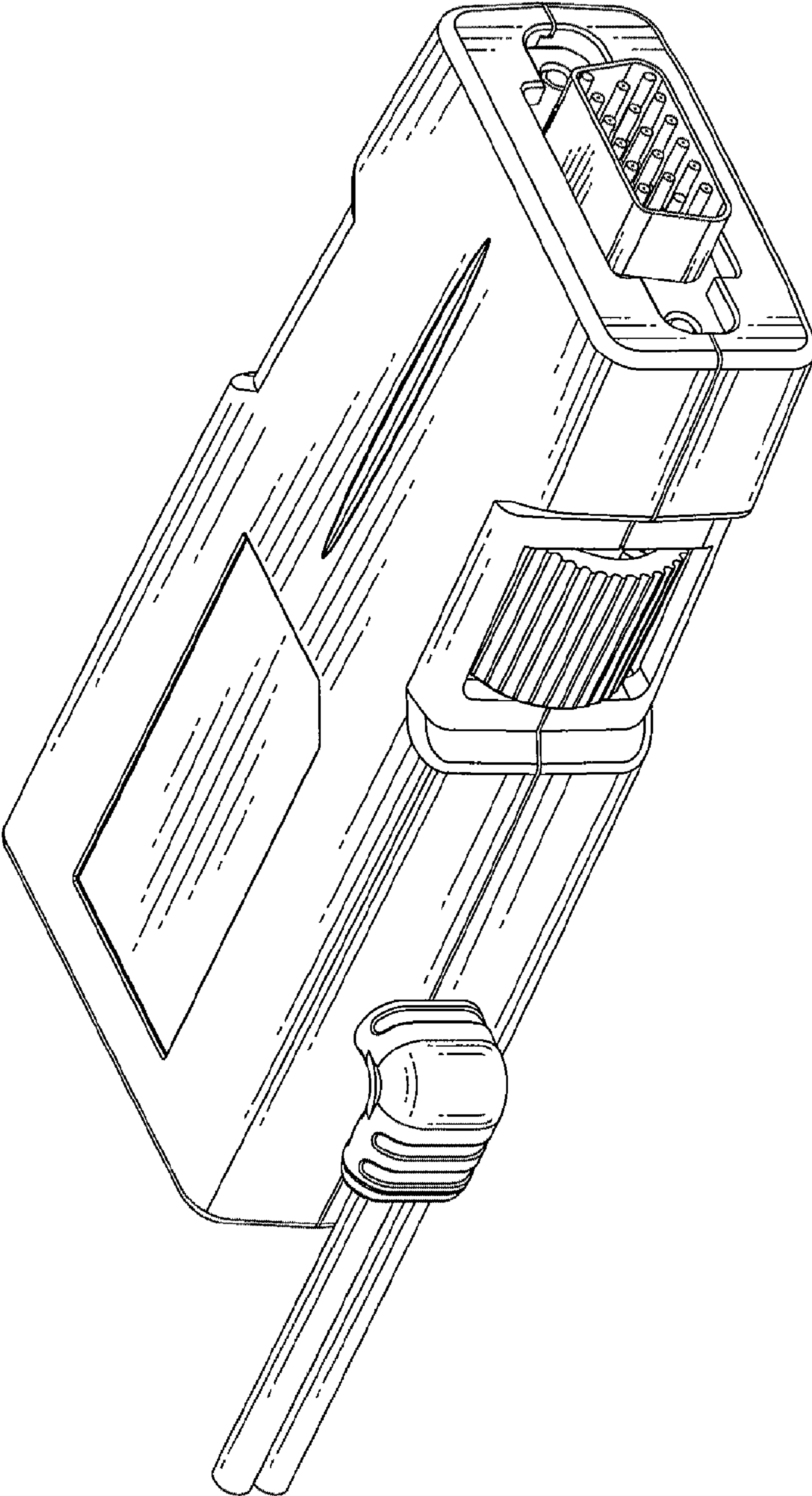


FIG. 8