



US00D575784S

(12) **United States Design Patent**
Chatterjee et al.

(10) **Patent No.:** **US D575,784 S**

(45) **Date of Patent:** **** Aug. 26, 2008**

(54) **COMPUTER INPUT DEVICE**

D534,535 S * 1/2007 Tzeng et al. D14/407
D545,822 S * 7/2007 Murakami D14/407

(75) Inventors: **Monique Chatterjee**, Seattle, WA (US);
Jonah Becker, San Francisco, CA (US);
Claude Zellweger, San Francisco, CA
(US); **Audrey Louchart**, San Francisco,
CA (US); **Eric Joseph Wahl**, Kirkland,
WA (US)

(73) Assignee: **Microsoft Corporation**, Redmond, WA
(US)

(**) Term: **14 Years**

(21) Appl. No.: **29/299,869**

(22) Filed: **Jan. 6, 2008**

(51) **LOC (8) Cl.** **14-02**

(52) **U.S. Cl.** **D14/407**

(58) **Field of Classification Search** D14/402-410,
D14/417; 200/5 A, 5 R, 6 A, 6 R; 273/148 B;
345/156-167; 463/36-38; 74/471 XY
See application file for complete search history.

(56) **References Cited**

U.S. PATENT DOCUMENTS

5,212,567 A * 5/1993 Kawai et al. 358/451
D375,729 S * 11/1996 Aeschbacher et al. D14/407
D385,540 S * 10/1997 Taylor D13/168
D453,503 S * 2/2002 Fitzsimmons et al. D13/168
D458,261 S * 6/2002 Tsai D14/405
6,636,198 B1 * 10/2003 Gross et al. 345/157
D493,796 S * 8/2004 Lin et al. D14/426
D507,573 S * 7/2005 Wang et al. D14/407

OTHER PUBLICATIONS

U.S. Appl. No. 29/299,870, filed Jan. 6, 2008.
U.S. Appl. No. 29/299,871, filed Jan. 6, 2008.
U.S. Appl. No. 29/299,872, filed Jan. 6, 2008.
U.S. Appl. No. 29/299,873, filed Jan. 6, 2008.
U.S. Appl. No. 29/299,874, filed Jan. 6, 2008.
U.S. Appl. No. 29/299,876, filed Jan. 6, 2008.

* cited by examiner

Primary Examiner—Pamela J Burgess

(74) *Attorney, Agent, or Firm*—Banner & Witcoff, Ltd.

(57) **CLAIM**

The ornamental design for a computer input device, as shown and described.

DESCRIPTION

FIG. 1 is a perspective view of a computer input device showing the new design.

FIG. 2 is a front view thereof.

FIG. 3 is a rear view thereof.

FIG. 4 is a first side view thereof.

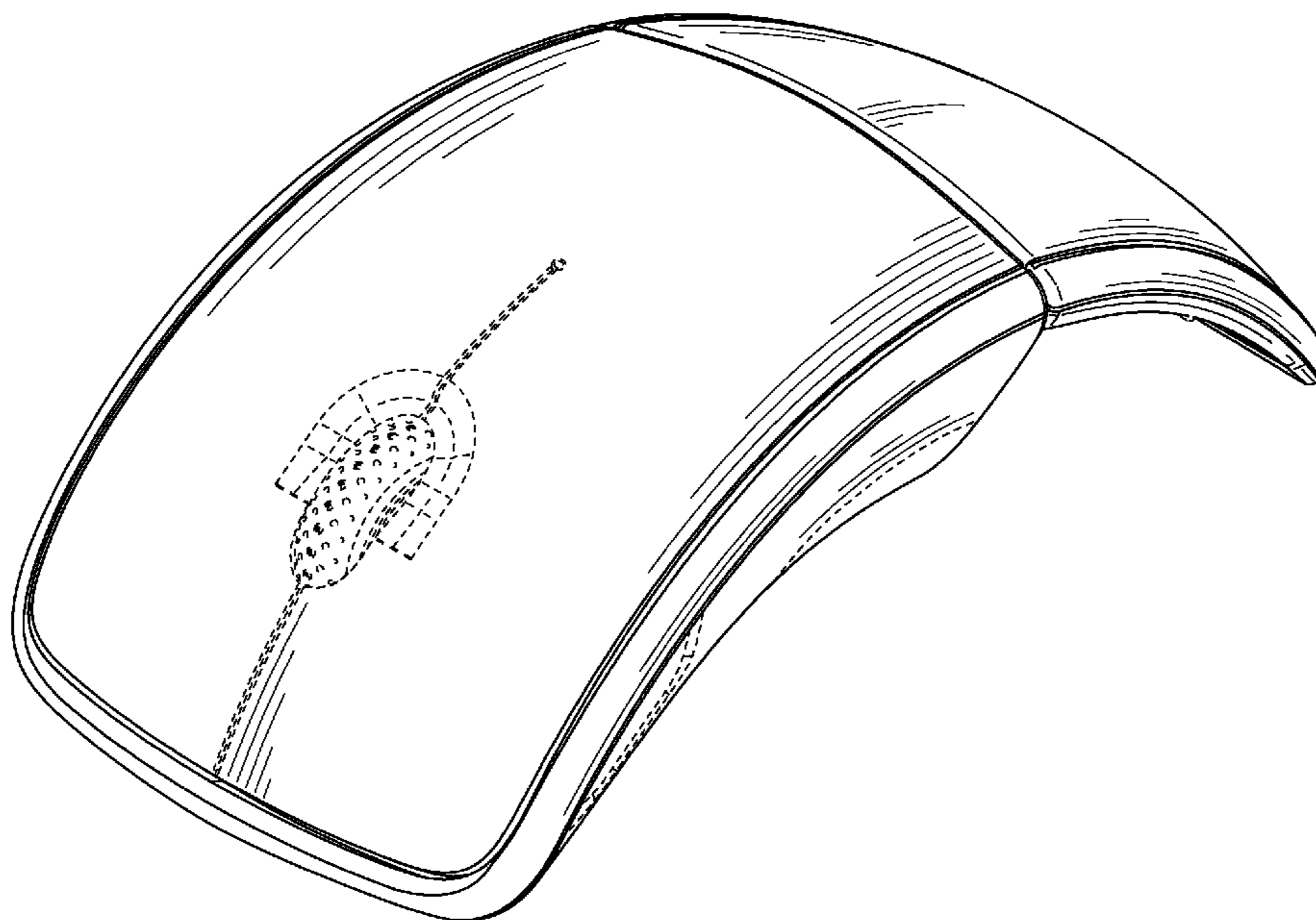
FIG. 5 is a second side view thereof.

FIG. 6 is a top view thereof; and,

FIG. 7 is a bottom view thereof.

The unshaded regions shown in broken lines in FIGS. 1-7 form no part of the claimed design. Unseen portions of the device form no part of the claimed design.

1 Claim, 5 Drawing Sheets



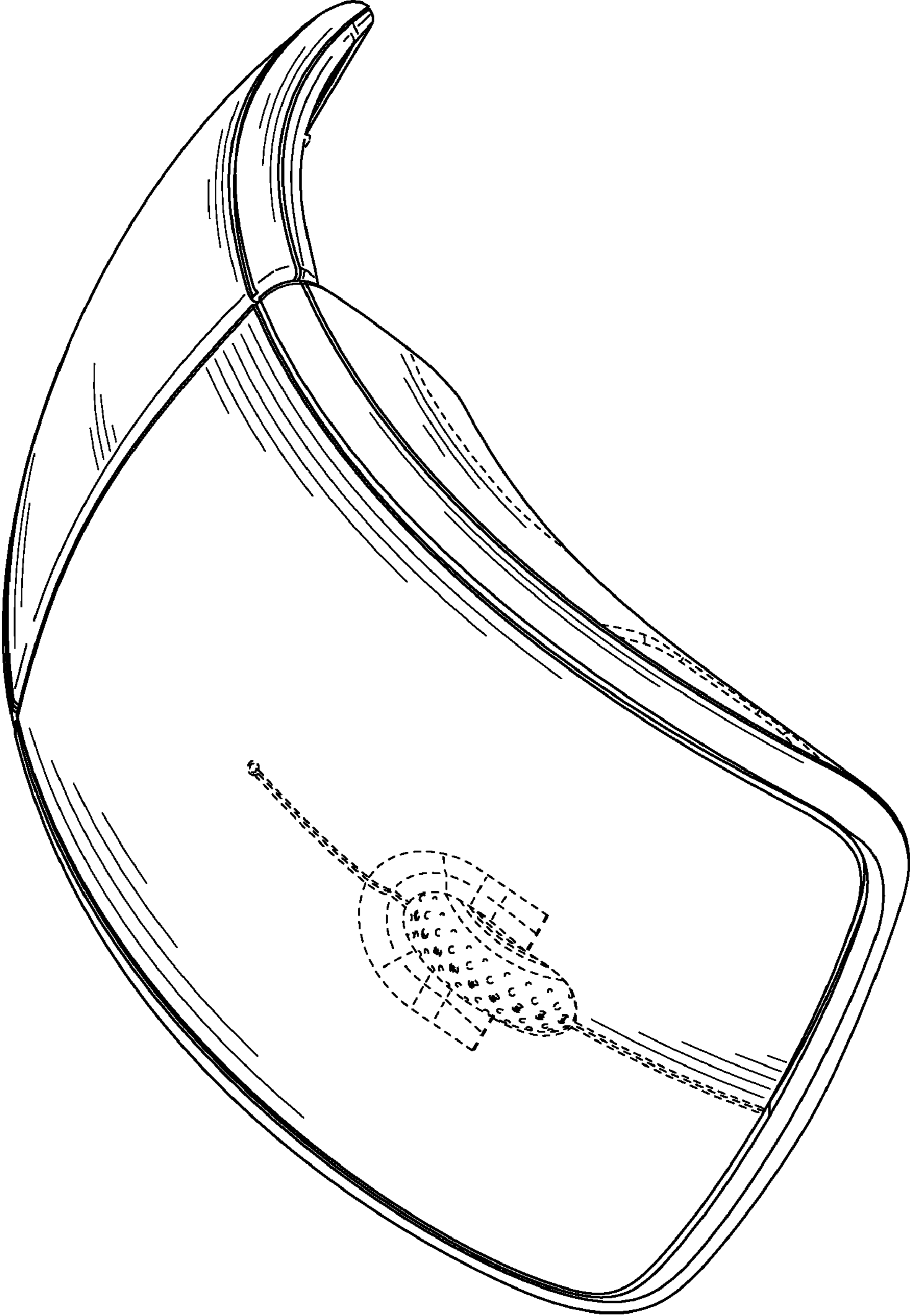


FIG. 1

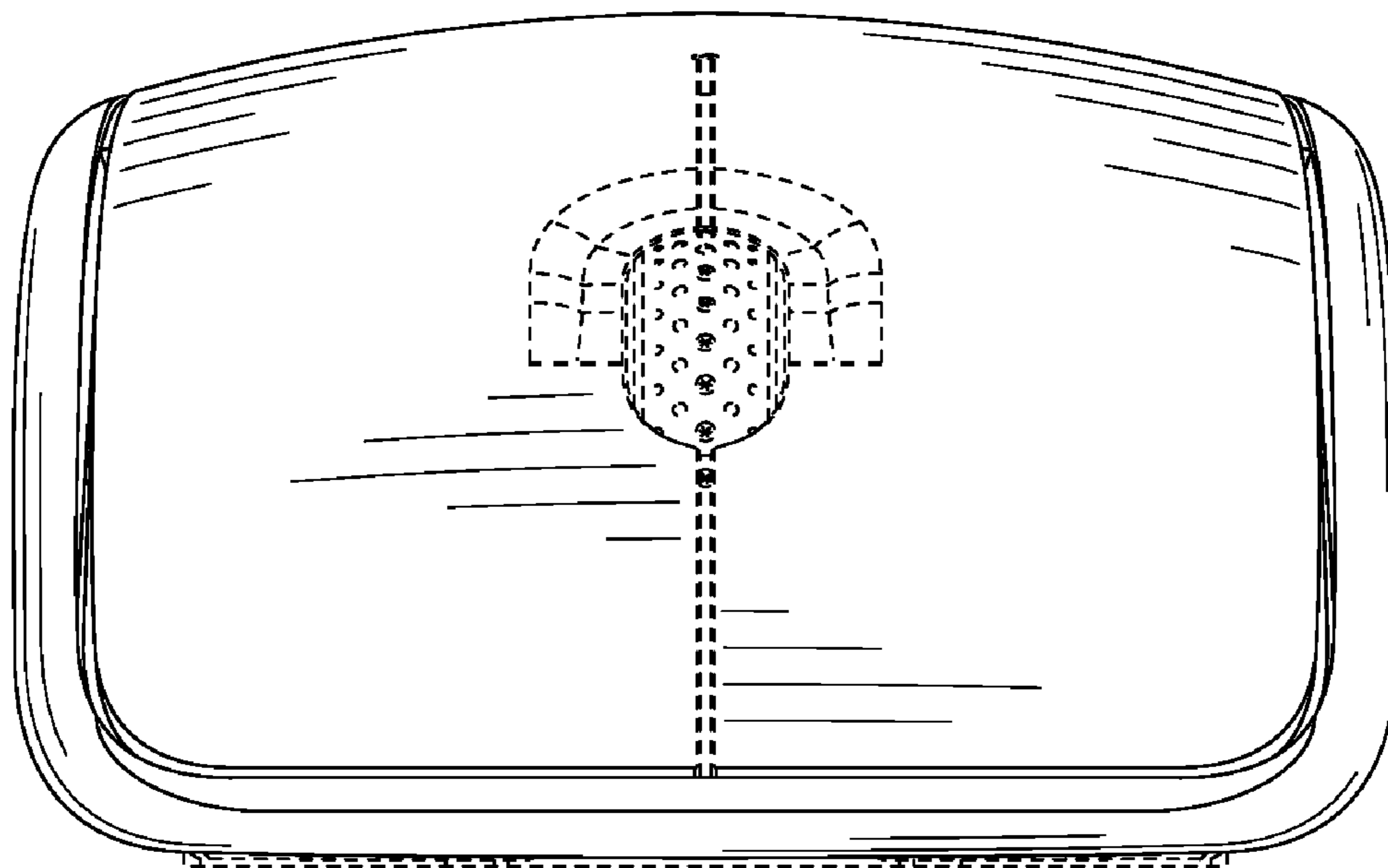


FIG. 2

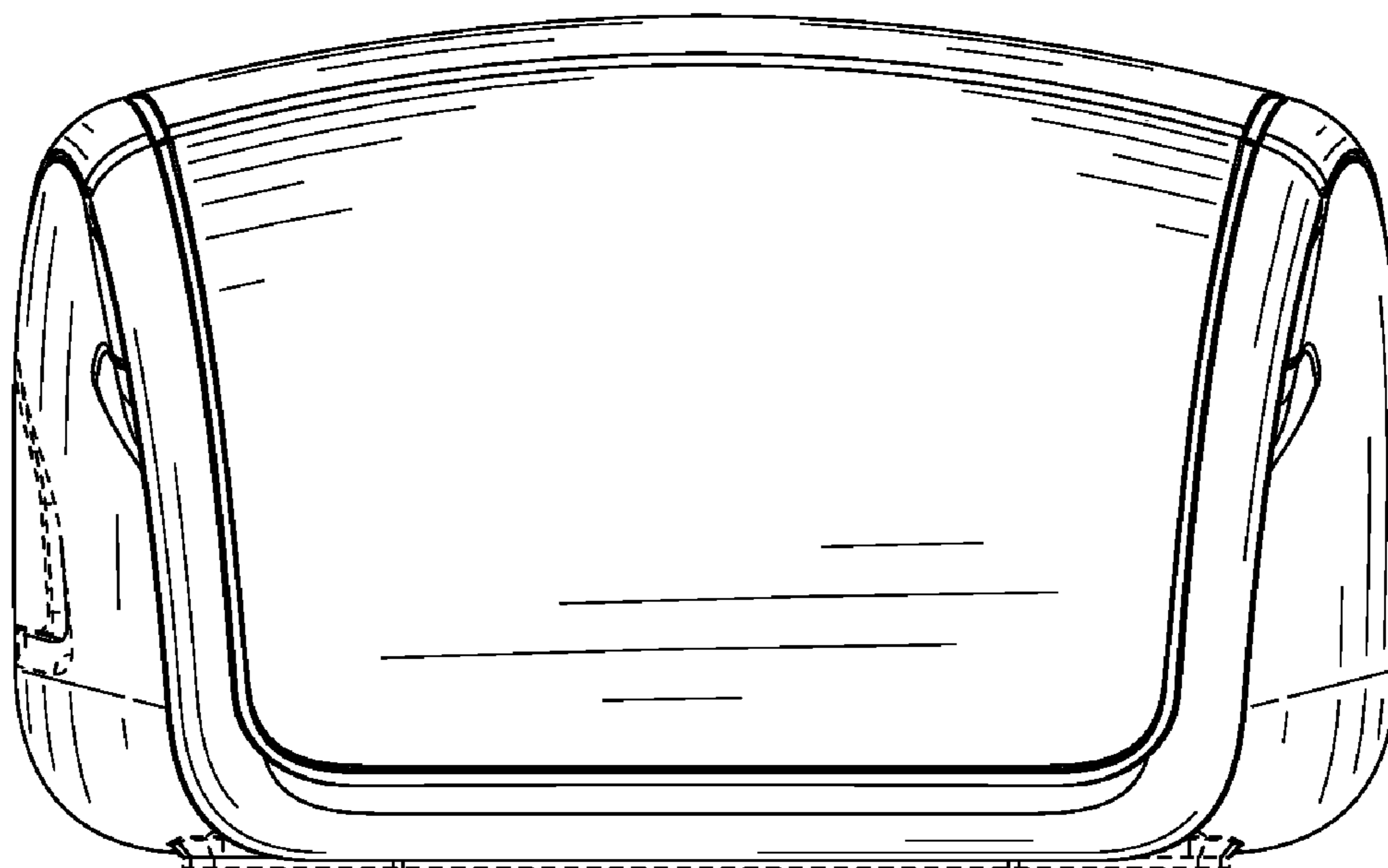


FIG. 3

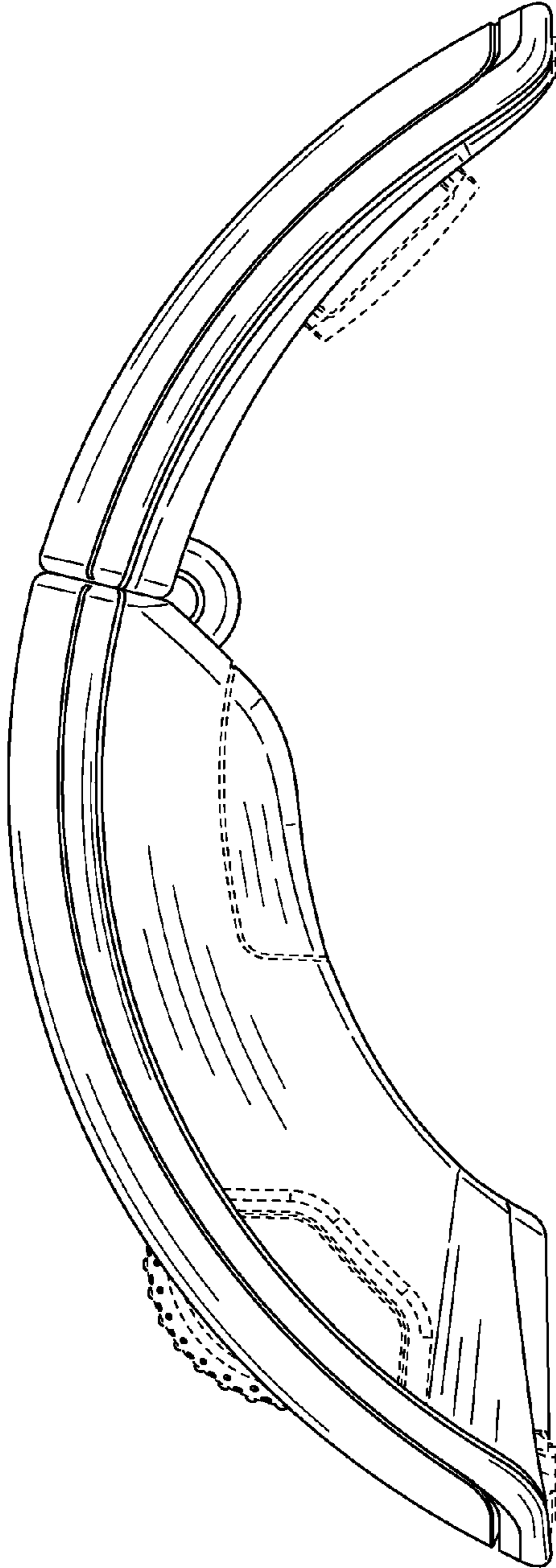


FIG. 4

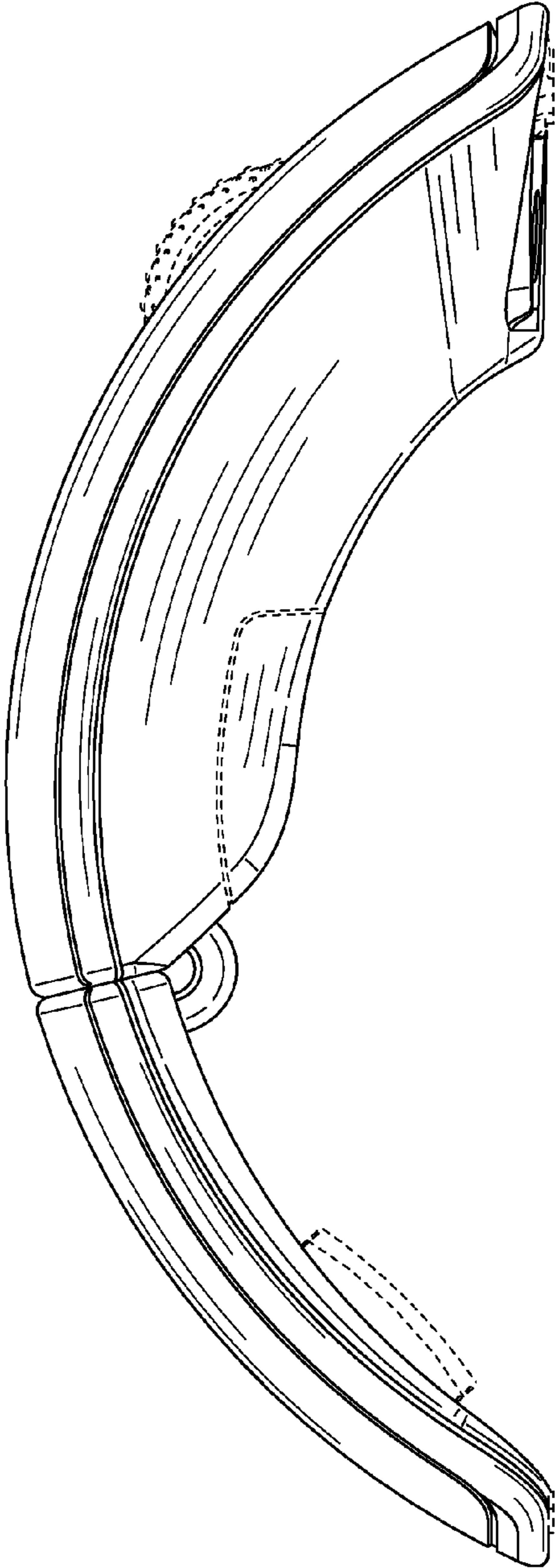


FIG. 5

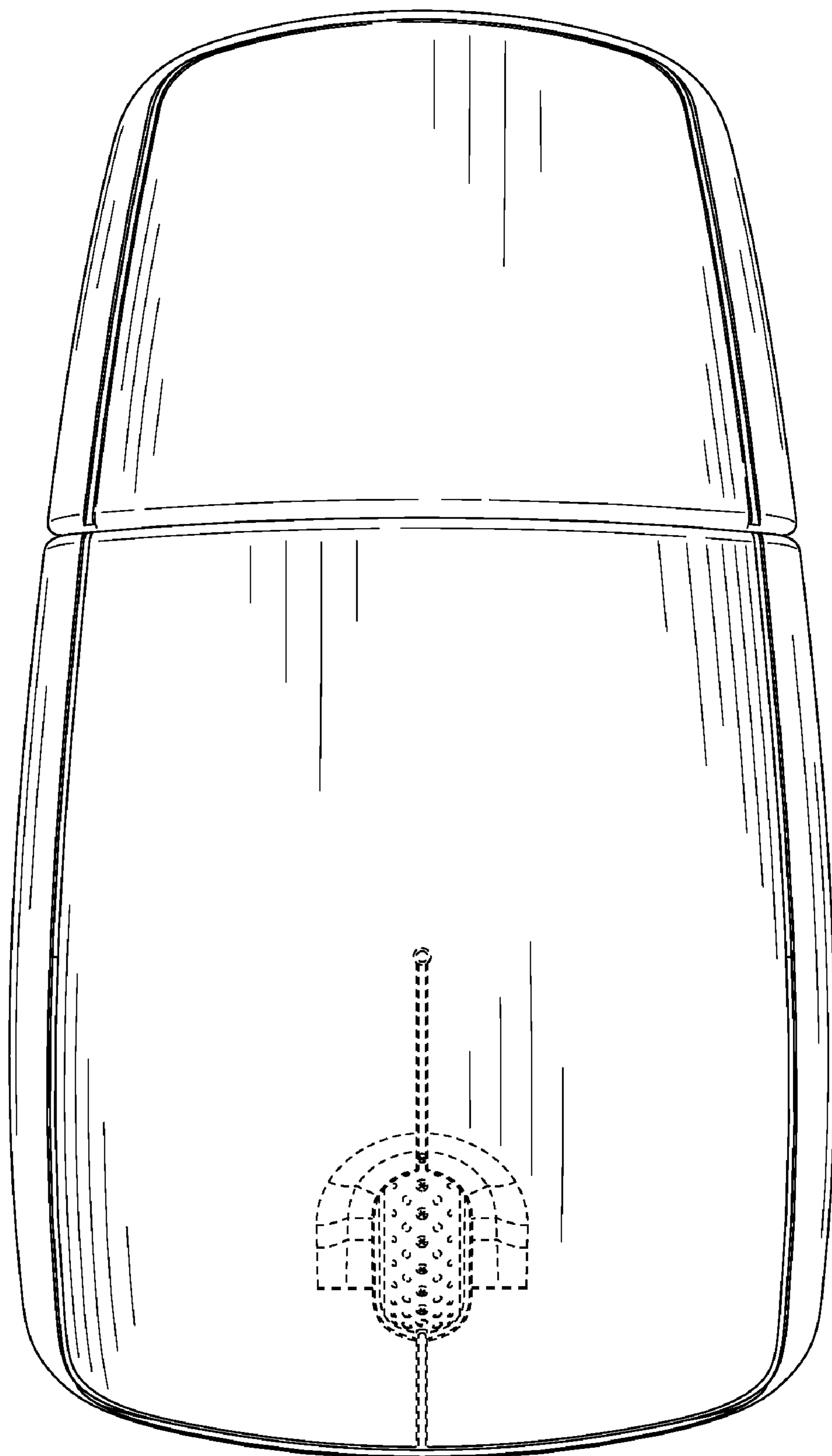


FIG. 6

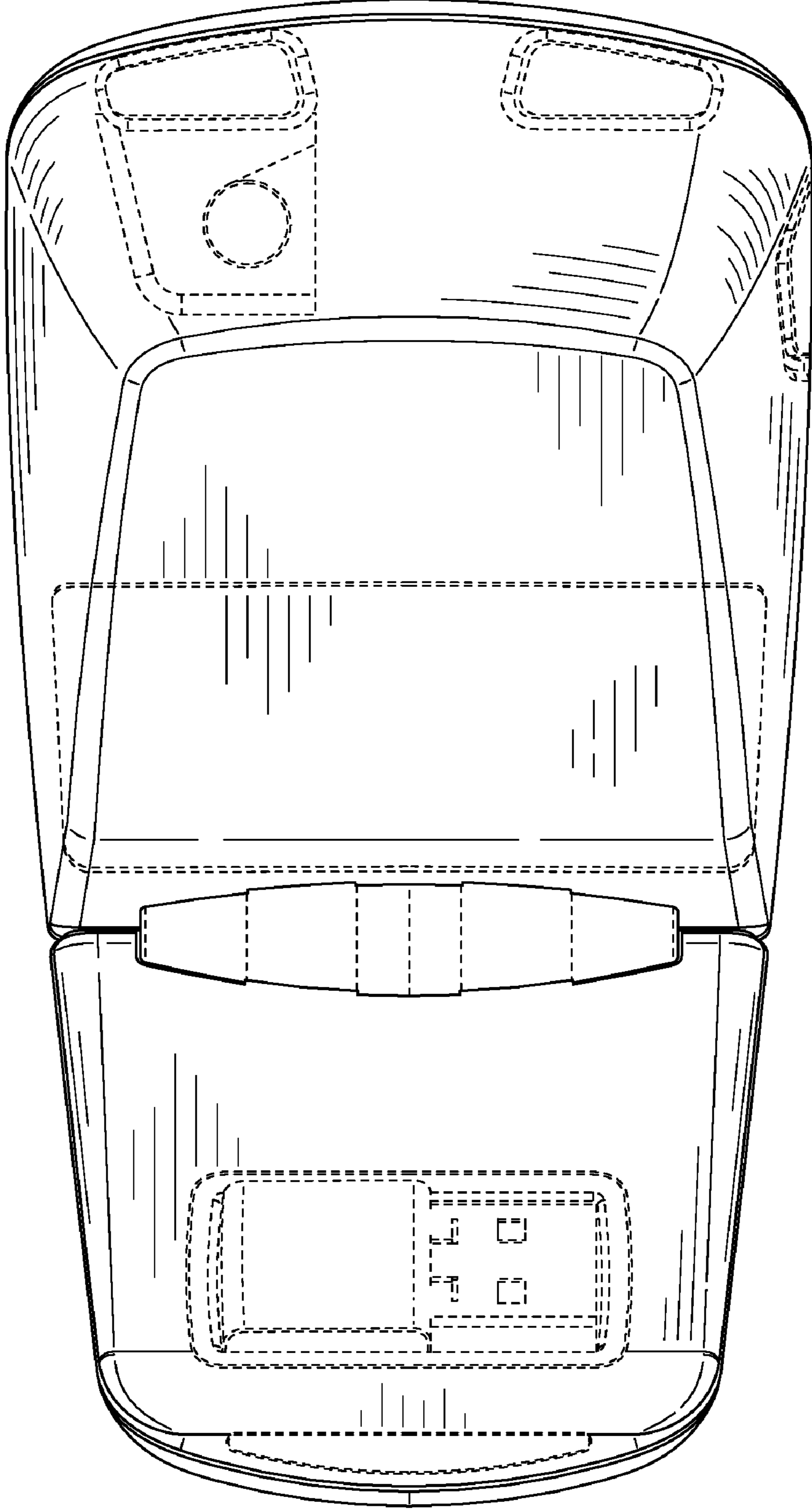


FIG. 7