



US00D575783S

(12) **United States Design Patent**
Hean et al.

(10) **Patent No.:** **US D575,783 S**
(45) **Date of Patent:** **** Aug. 26, 2008**

(54) **DISPLAY DEVICE**

(75) Inventors: **Kenneth Ding Yin Hean**, Singapore (SG); **Chan Wai Lim**, Singapore (SG)

(73) Assignee: **Dell Products L.P.**, Round Rock, TX (US)

(**) Term: **14 Years**

(21) Appl. No.: **29/276,373**

(22) Filed: **Jan. 24, 2007**

(51) **LOC (8) Cl.** **14-02**

(52) **U.S. Cl.** **D14/375**

(58) **Field of Classification Search** D14/371–375, D14/125–129; 345/104, 156, 168, 173, 901–905; 348/180, 184, 325, 739, 836; 248/918–924, 248/146, 121, 157, 278.1; 349/1, 2, 11, 62; 341/12; 361/680–686

See application file for complete search history.

(56) **References Cited**

U.S. PATENT DOCUMENTS

4,438,458 A	3/1984	Miinscher	358/254
D363,925 S *	11/1995	Imai	D14/375
D373,584 S *	9/1996	Anand	D14/126
D439,224 S	3/2001	Kita	D14/126
D455,131 S *	4/2002	Reynaga et al.	D14/126
6,381,125 B1 *	4/2002	Mizoguchi et al.	361/682
D463,431 S	9/2002	Yamamoto et al.	D14/374
D465,490 S	11/2002	Wei	D14/374
D471,194 S	3/2003	Huang	D14/375

D474,162 S	5/2003	Kubota	D14/126
D476,004 S	6/2003	Olson et al.	D14/375
6,837,469 B2 *	1/2005	Wu et al.	248/278.1
D515,523 S *	2/2006	Asanuma et al.	D14/129
7,014,154 B2 *	3/2006	Jeong et al.	248/157
D523,856 S	6/2006	Phipps et al.	D14/375
2003/0058372 A1 *	3/2003	Williams et al.	348/836
2004/0041062 A1	3/2004	Ozolins et al.	248/122.1
2004/0217244 A1	11/2004	Wu et al.	248/278.1
2006/0076463 A1 *	4/2006	Drew	248/121

* cited by examiner

Primary Examiner—Freda S Nunn

(74) *Attorney, Agent, or Firm*—Hamilton & Terrile, LLP; Stephen A. Terrile

(57) **CLAIM**

The ornamental design for a display device, as shown and described.

DESCRIPTION

FIG. 1 is a front perspective view of the display device comprising the present invention, the broken lines are shown for environment only and form no part of the claimed design.

FIG. 2 is a front view thereof;

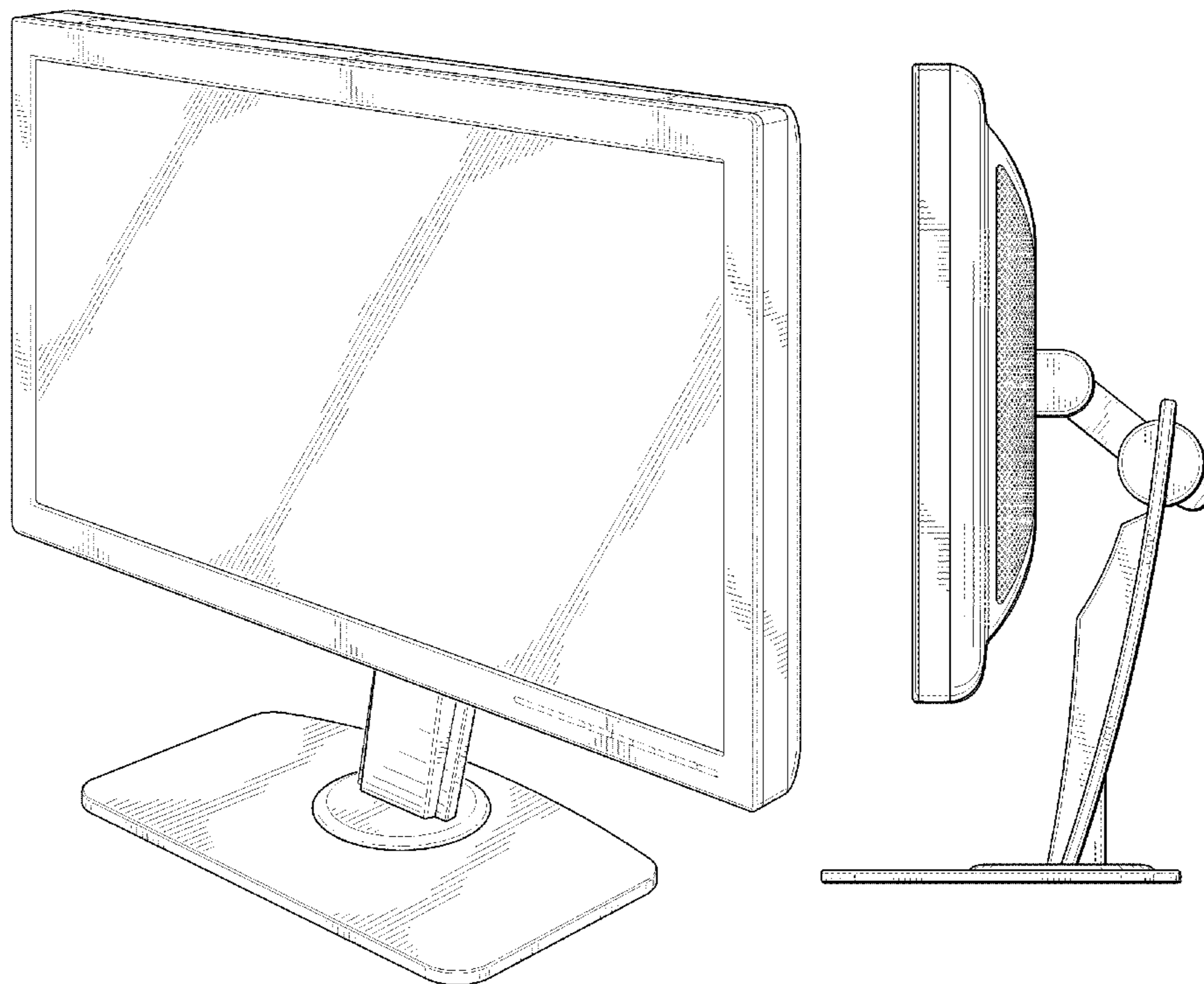
FIG. 3 is a right side view thereof;

FIG. 4 is a left side view thereof;

FIG. 5 is a rear view thereof; and,

FIG. 6 is a top view thereof.

1 Claim, 5 Drawing Sheets



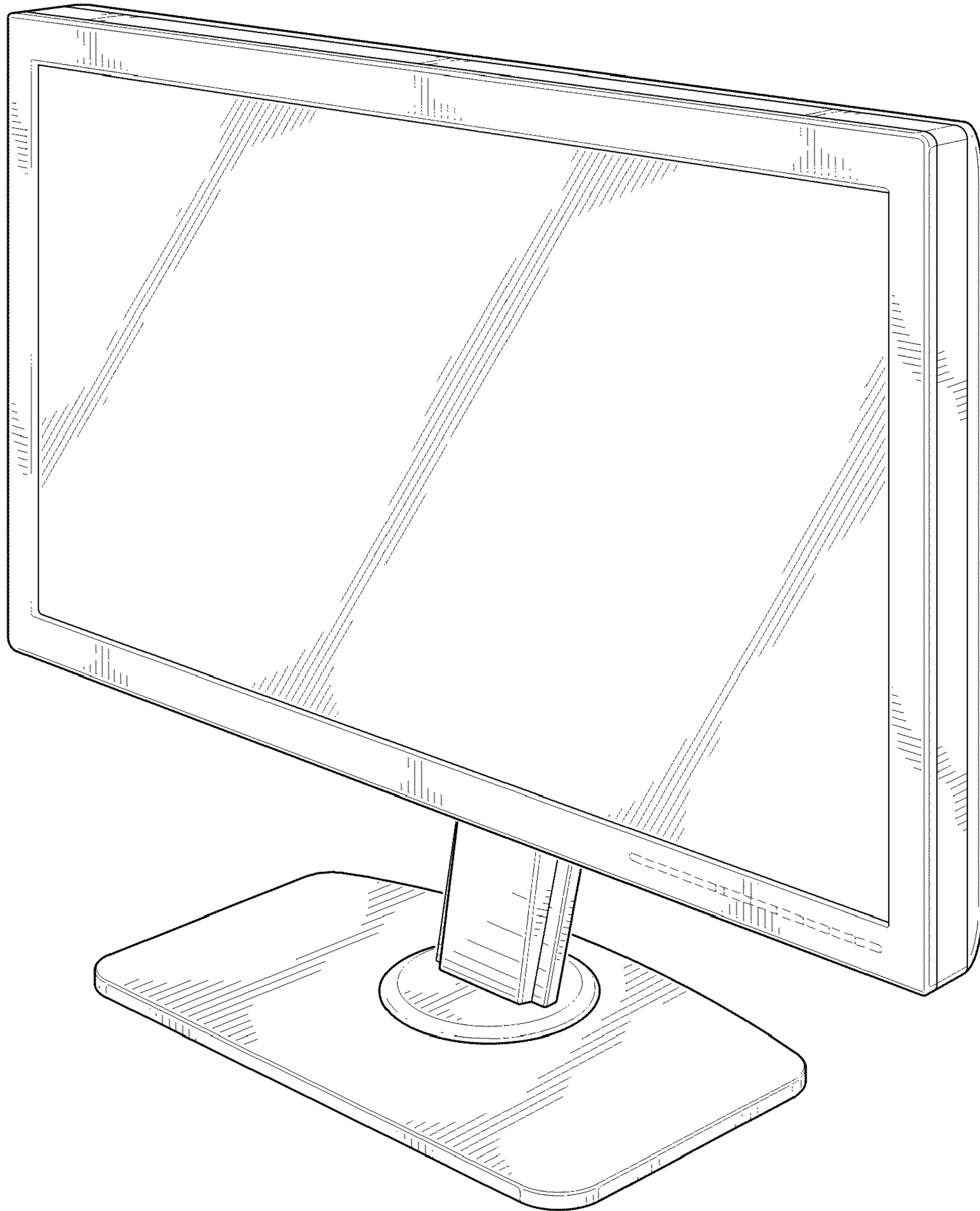


FIG. 1

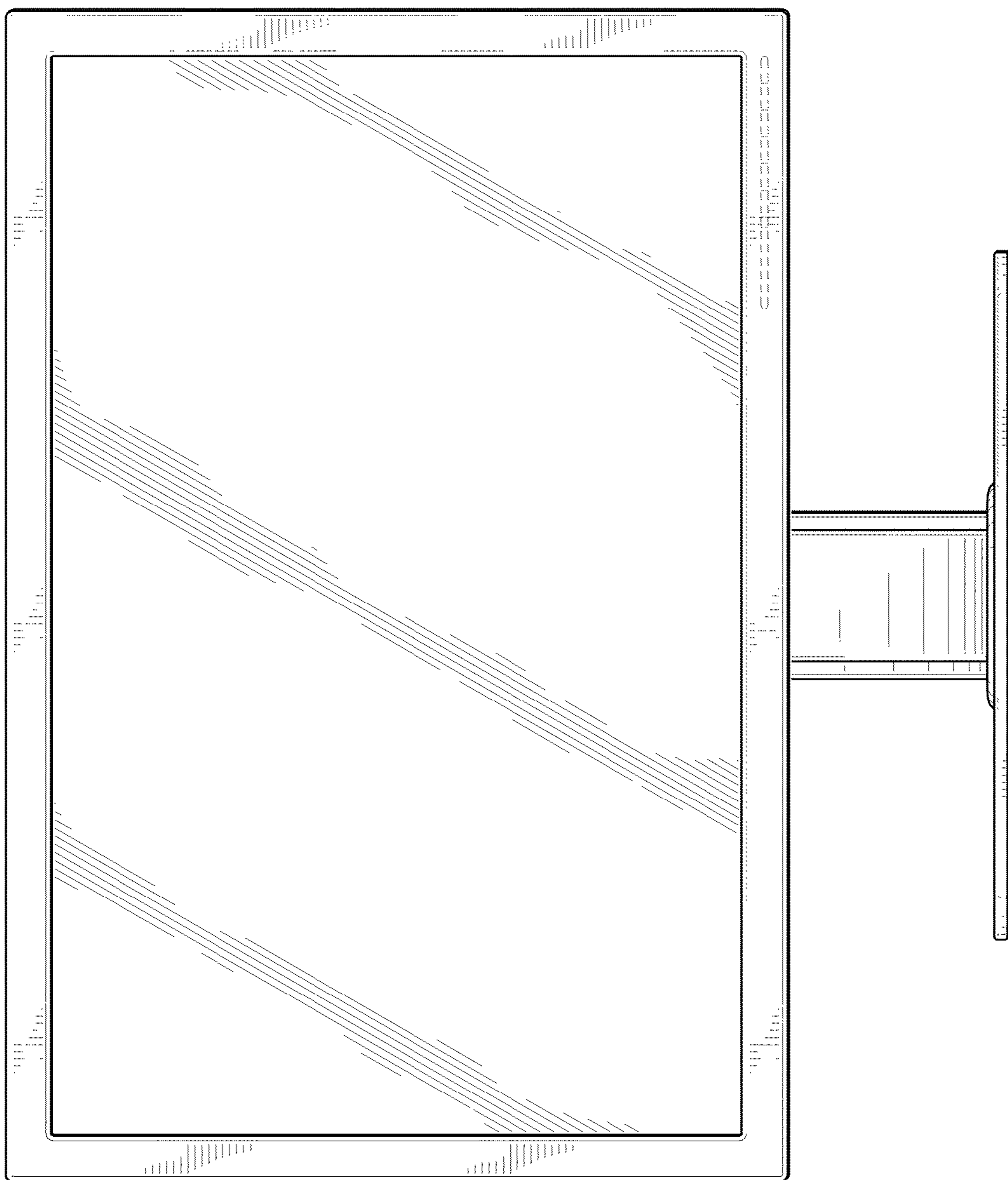


FIG. 2

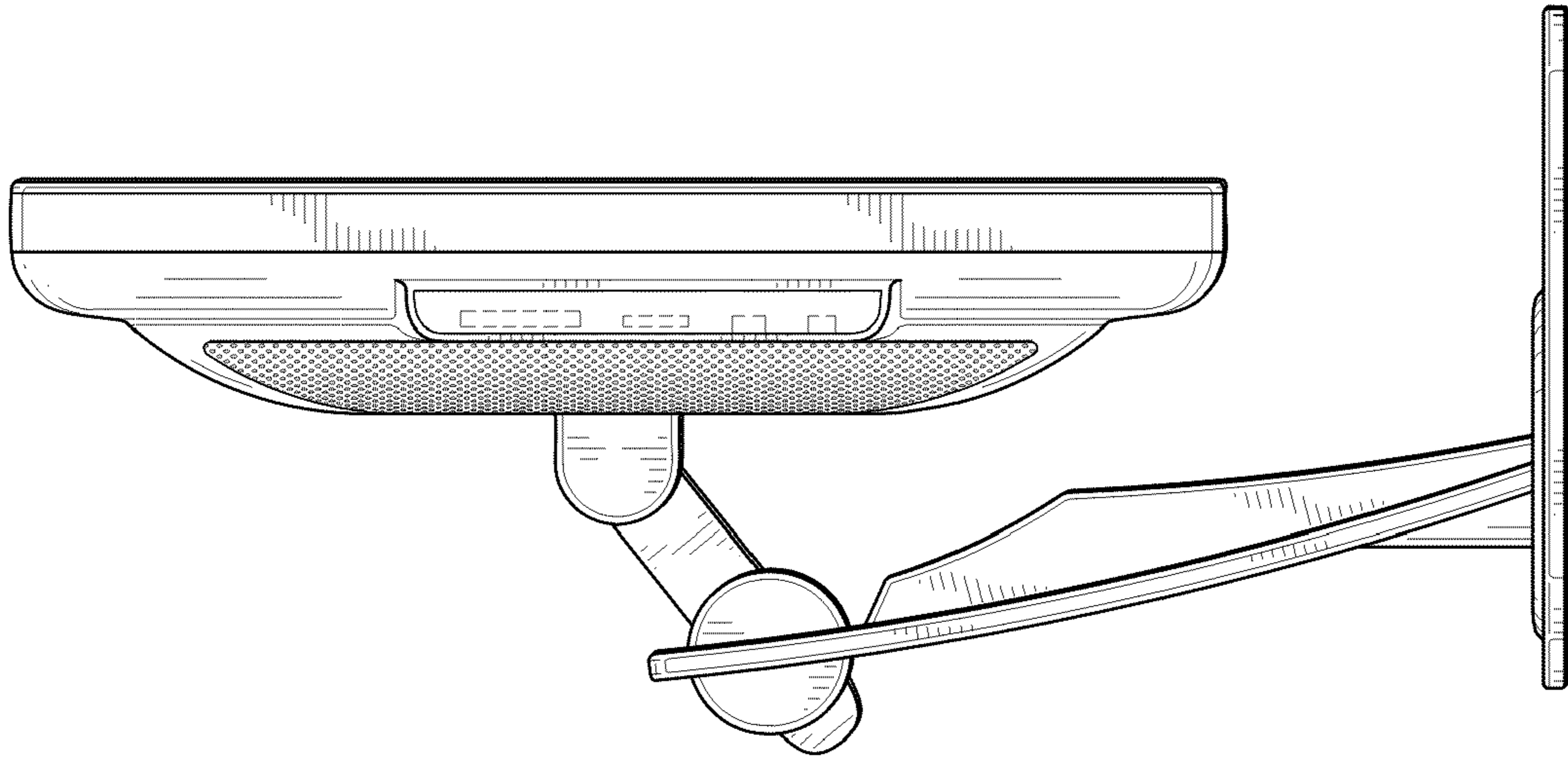


FIG. 4

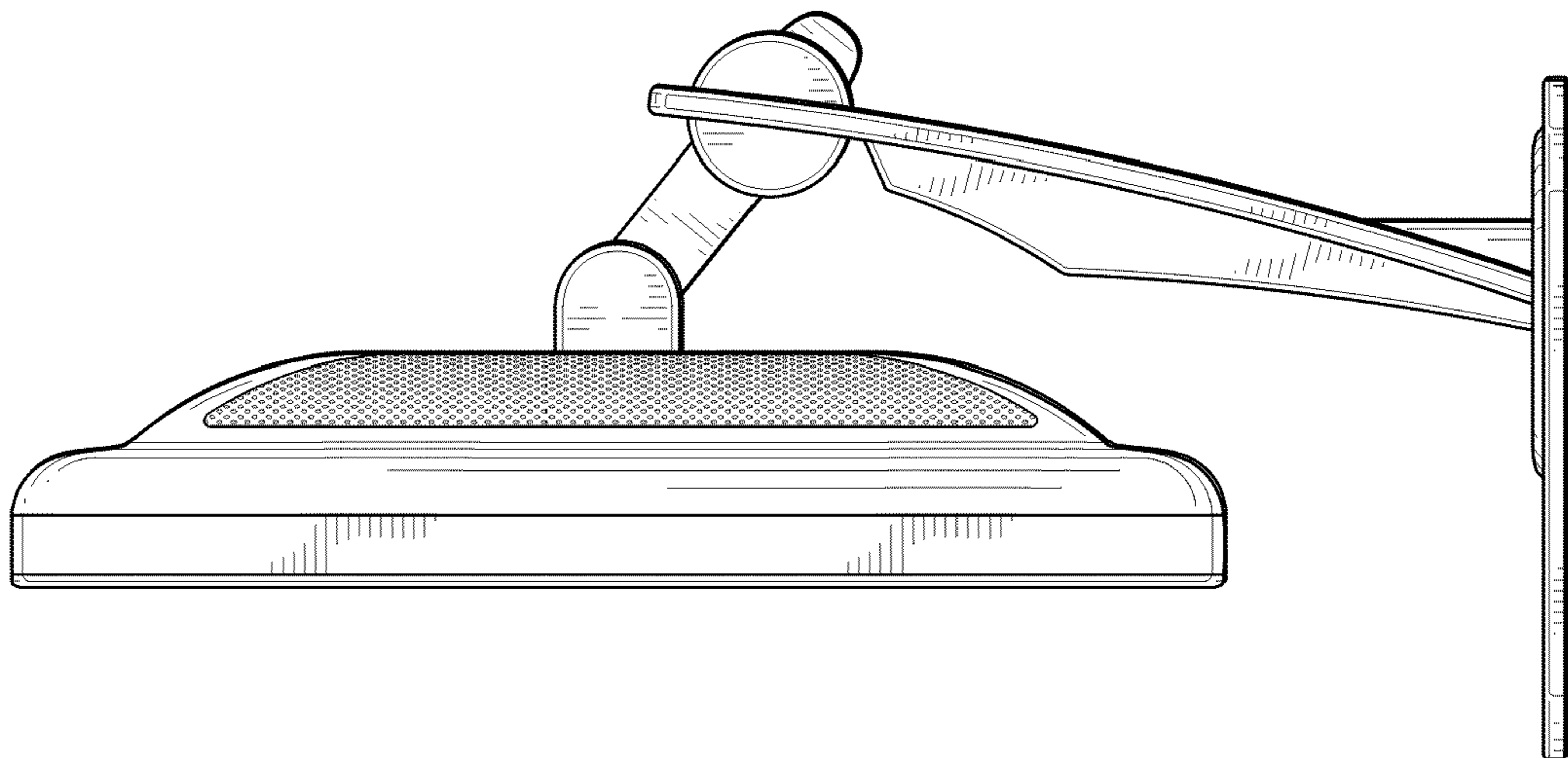


FIG. 3

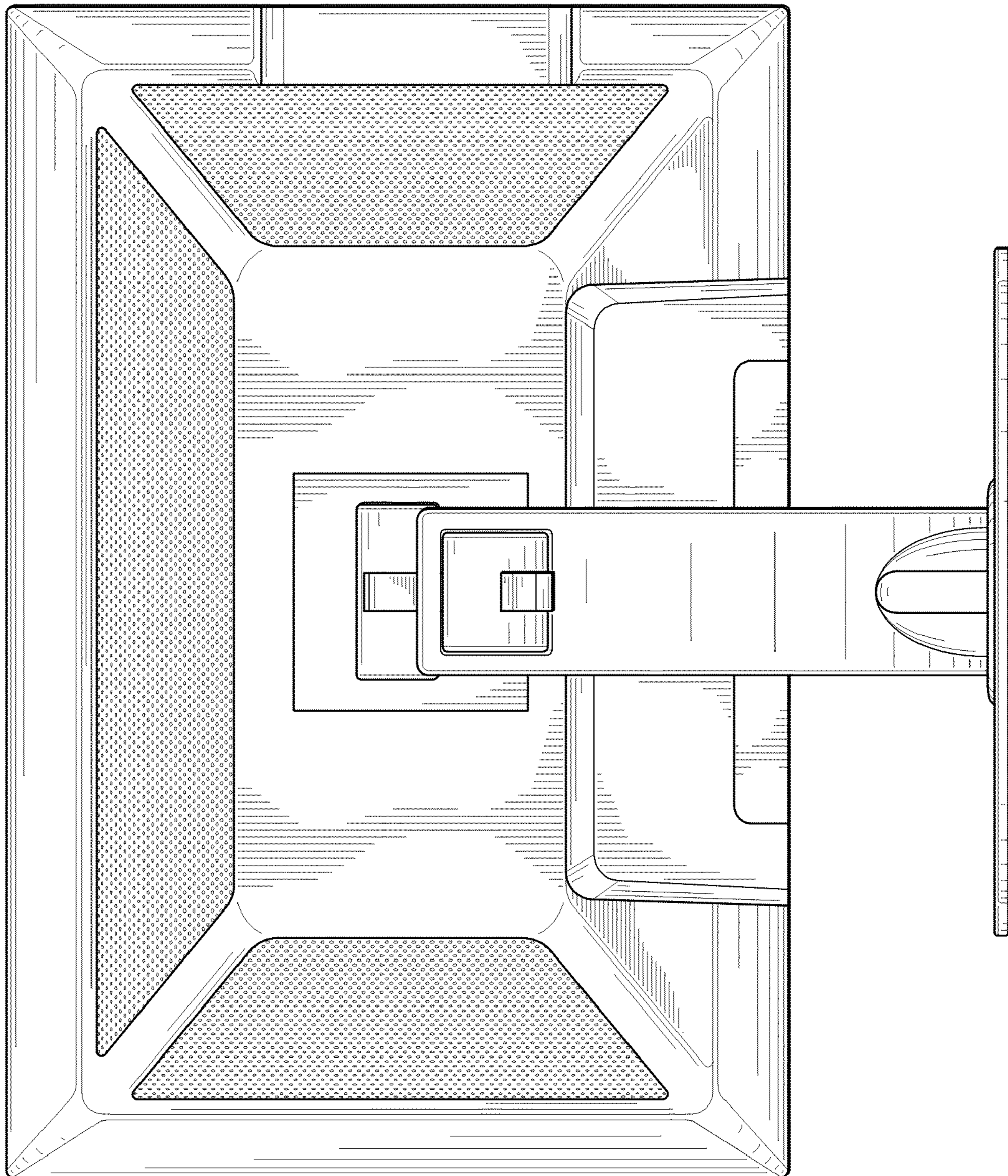


FIG. 5

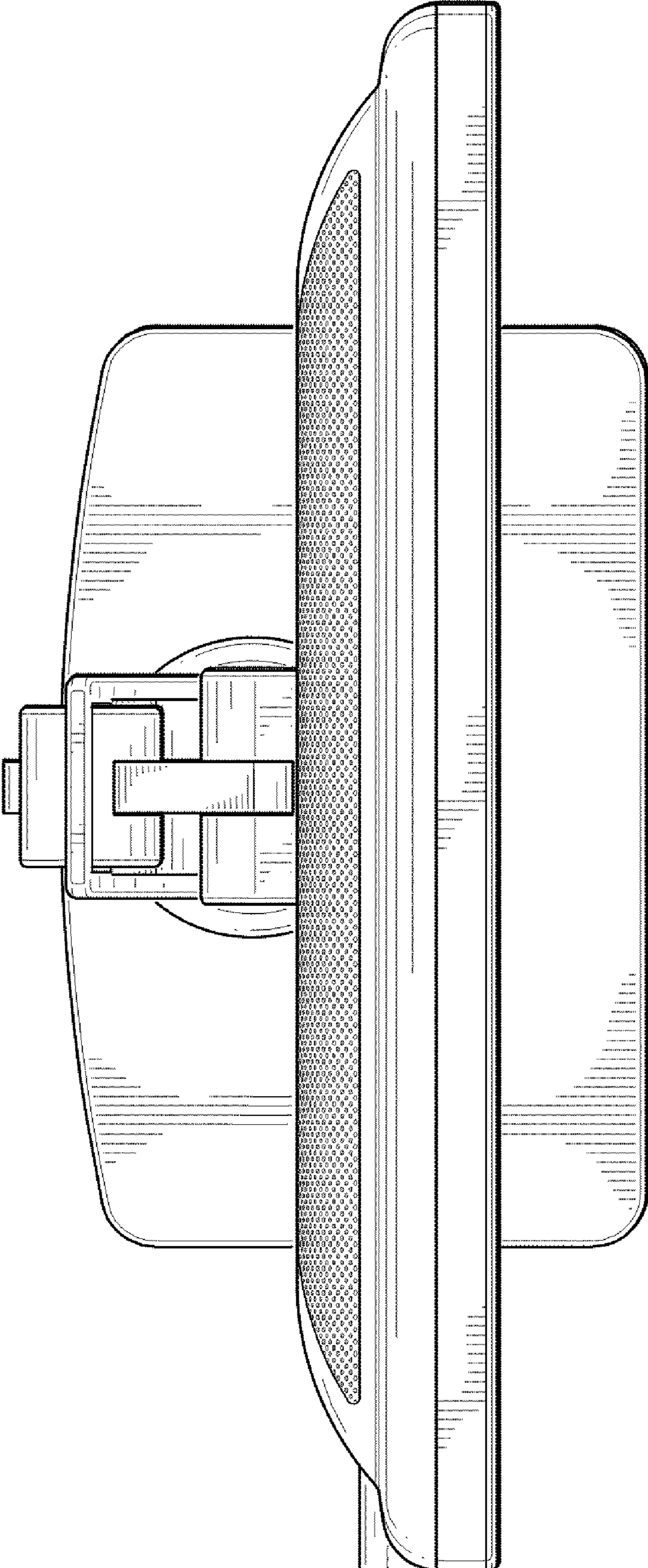


FIG. 6