



US00D575779S

(12) **United States Design Patent**
Dearborn et al.

(10) **Patent No.:** **US D575,779 S**
(45) **Date of Patent:** **** Aug. 26, 2008**

(54) **INFORMATION HANDLING SYSTEM**

(75) Inventors: **Timothy Dearborn**, Lakeway, TX (US);
Scott Lauffer, Austin, TX (US); **Daniel Phipps**, Round Rock, TX (US)

(73) Assignee: **Dell Products L.P.**, Round Rock, TX (US)

(**) Term: **14 Years**

(21) Appl. No.: **29/275,841**

(22) Filed: **Jan. 8, 2007**

(51) **LOC (8) Cl.** **14-02**

(52) **U.S. Cl.** **D14/349; D14/300**

(58) **Field of Classification Search** D14/349–356,
D14/300, 301, 308, 444, 310–312; D13/162,
D13/184, 199; 312/223.1–223.2; 360/99.01–99.12;
369/34.01, 36.01; 361/679–686, 690–696,
361/727

See application file for complete search history.

(56) **References Cited**

U.S. PATENT DOCUMENTS

D315,551 S *	3/1991	Aderman	D14/349
5,248,193 A	9/1993	Schlemmer	312/223.2
D344,266 S *	2/1994	Wingate	D14/349
D345,964 S	4/1994	Hultgren et al.	D14/100
D379,623 S	6/1997	Wu	D14/102
D380,743 S	7/1997	Avalos et al.	D14/107
5,790,278 A	8/1998	Ehrne et al.	358/496
D426,198 S *	6/2000	Lee et al.	D14/349
D427,162 S	6/2000	Nagase	D14/107
D435,559 S *	12/2000	Tanaka	D14/444
6,278,606 B1	8/2001	Schmitt et al.	361/683
6,297,952 B1	10/2001	Liu et al.	361/685
D453,020 S *	1/2002	Matsuoka	D14/349
D466,506 S *	12/2002	Matsuoka	D14/349

D469,087 S *	1/2003	Sue et al.	D14/349
6,549,398 B2	4/2003	Chen	361/683
D478,077 S	8/2003	Poole et al.	D14/349
D478,586 S	8/2003	Lee et al.	D14/349
D494,169 S	8/2004	Lin	D14/349
D497,162 S	10/2004	Neal et al.	D14/349
6,829,138 B2 *	12/2004	Hartman et al.	361/679
D504,895 S	5/2005	Frank et al.	D14/441
D510,934 S *	10/2005	Lin	D14/349
D523,427 S *	6/2006	Tsuzuki et al.	D14/300
D537,444 S	2/2007	Lauffer et al.	D14/349
2003/0026067 A1 *	2/2003	Rubenstein et al.	361/681
2003/0122457 A1	7/2003	Diaz et al.	312/223.2
2005/0012436 A1	1/2005	Lai	312/223.2

* cited by examiner

Primary Examiner—Freda S Nunn

(74) *Attorney, Agent, or Firm*—Hamilton & Terrile, LLP;
Stephen A. Terrile

(57) **CLAIM**

The ornamental design for an information handling system, as shown and described.

DESCRIPTION

FIG. 1 is a front perspective view of the information handling system comprising the present invention;

FIG. 2 is a front side view thereof;

FIG. 3 is a left side view thereof;

FIG. 4 is a right side view thereof;

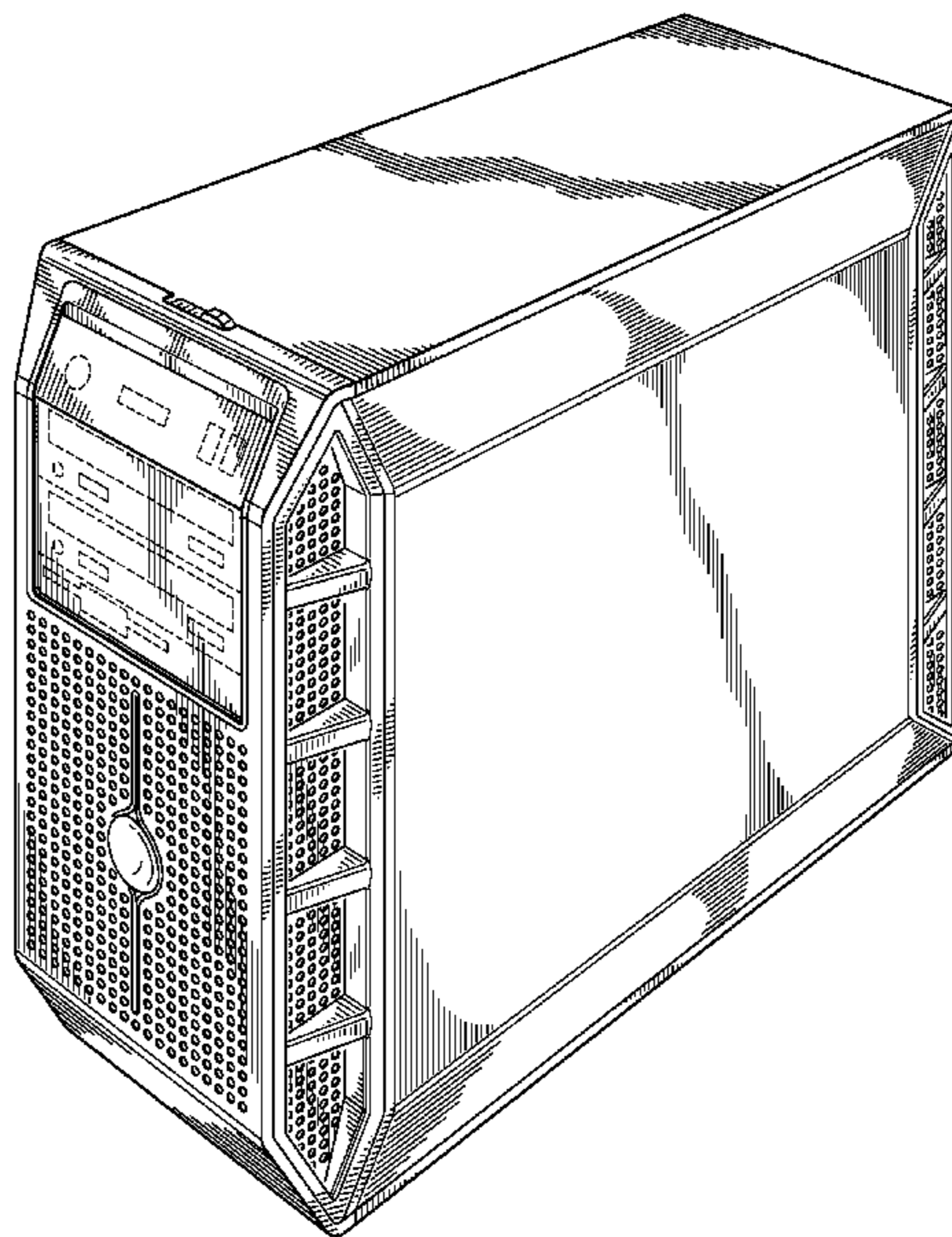
FIG. 5 is a top plan view thereof;

FIG. 6 is a bottom plan view thereof; and,

FIG. 7 is a rear view thereof.

The broken lines are considered environmental only and do not form a part of the claimed design.

1 Claim, 4 Drawing Sheets



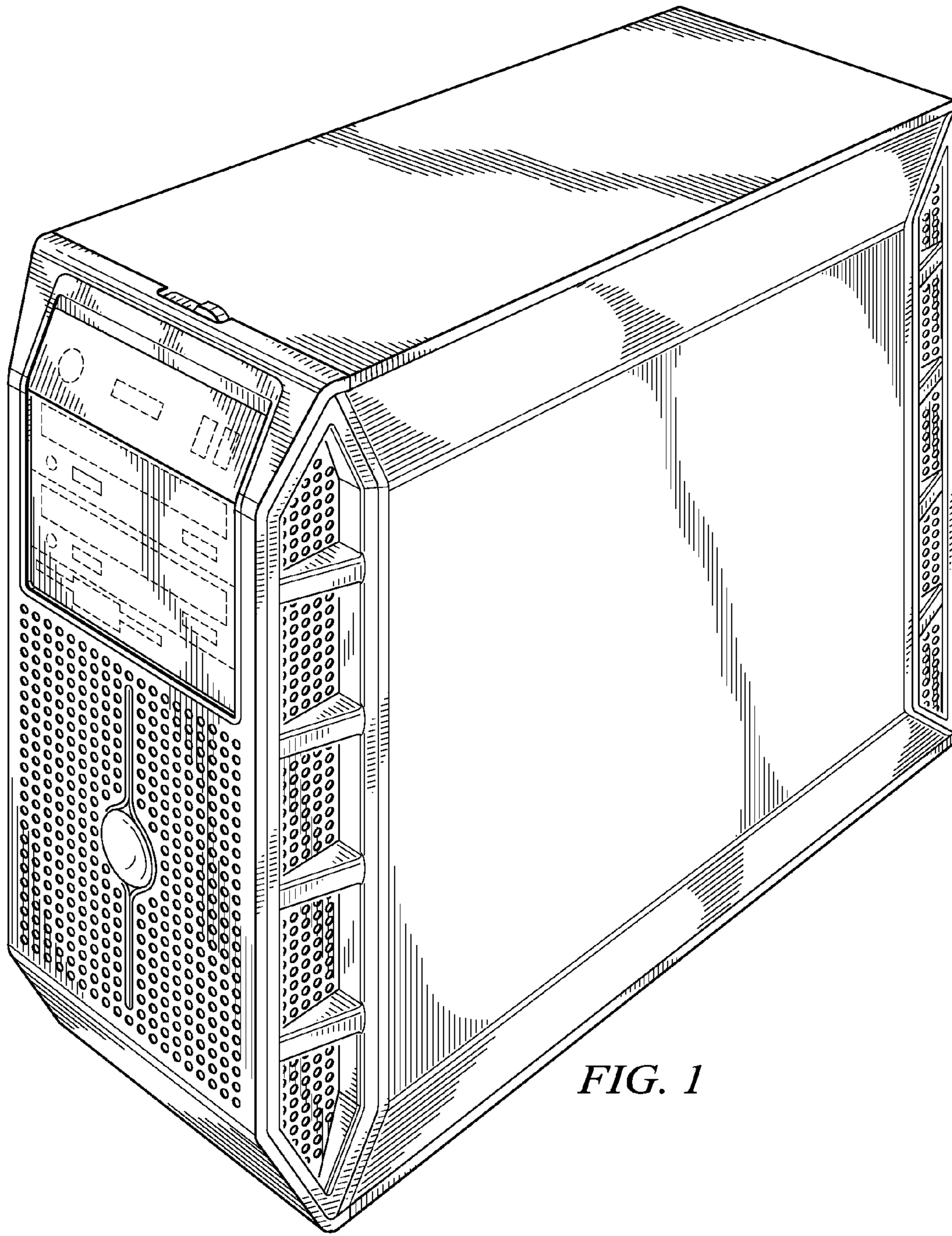


FIG. 1

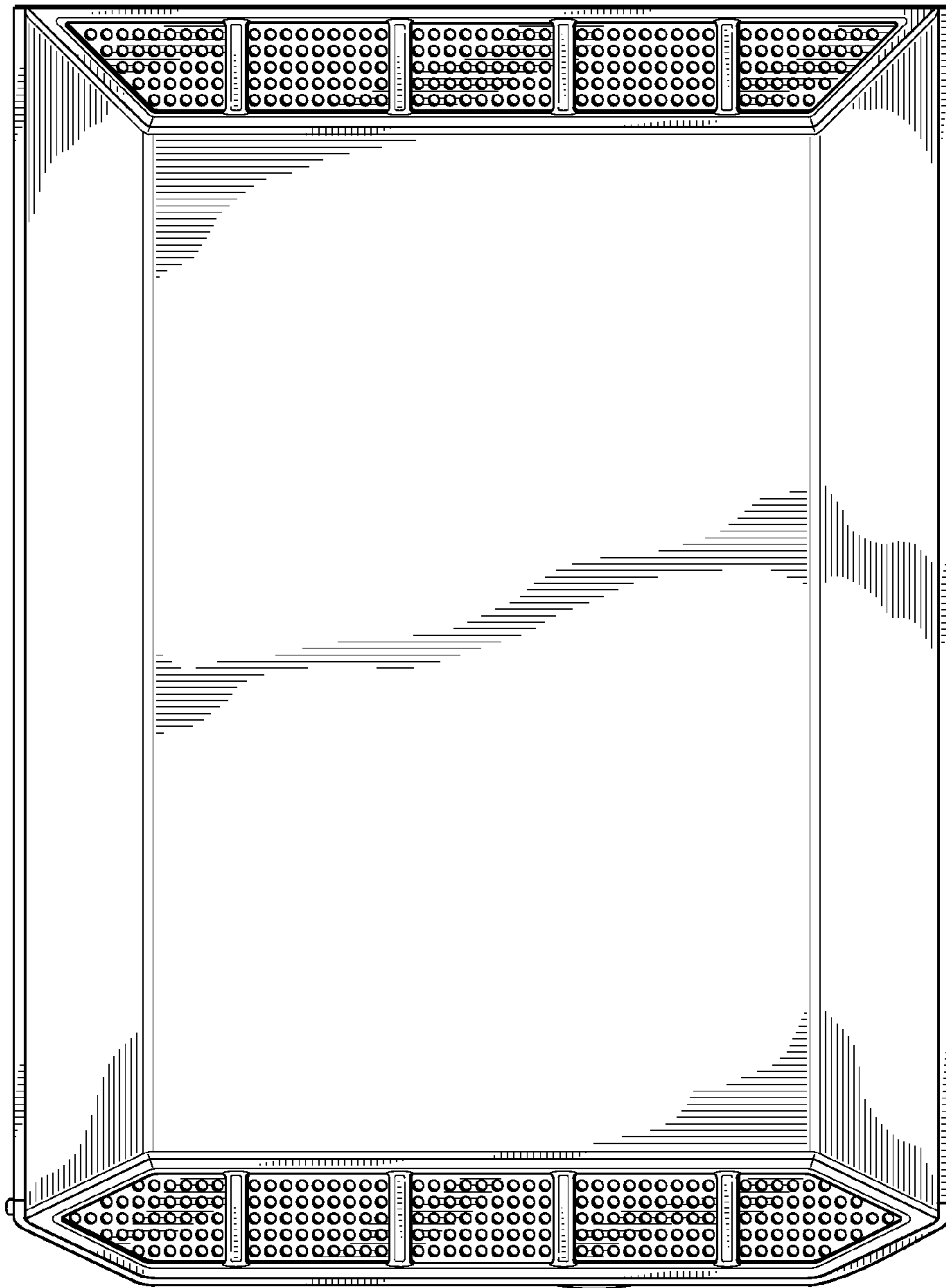


FIG. 3

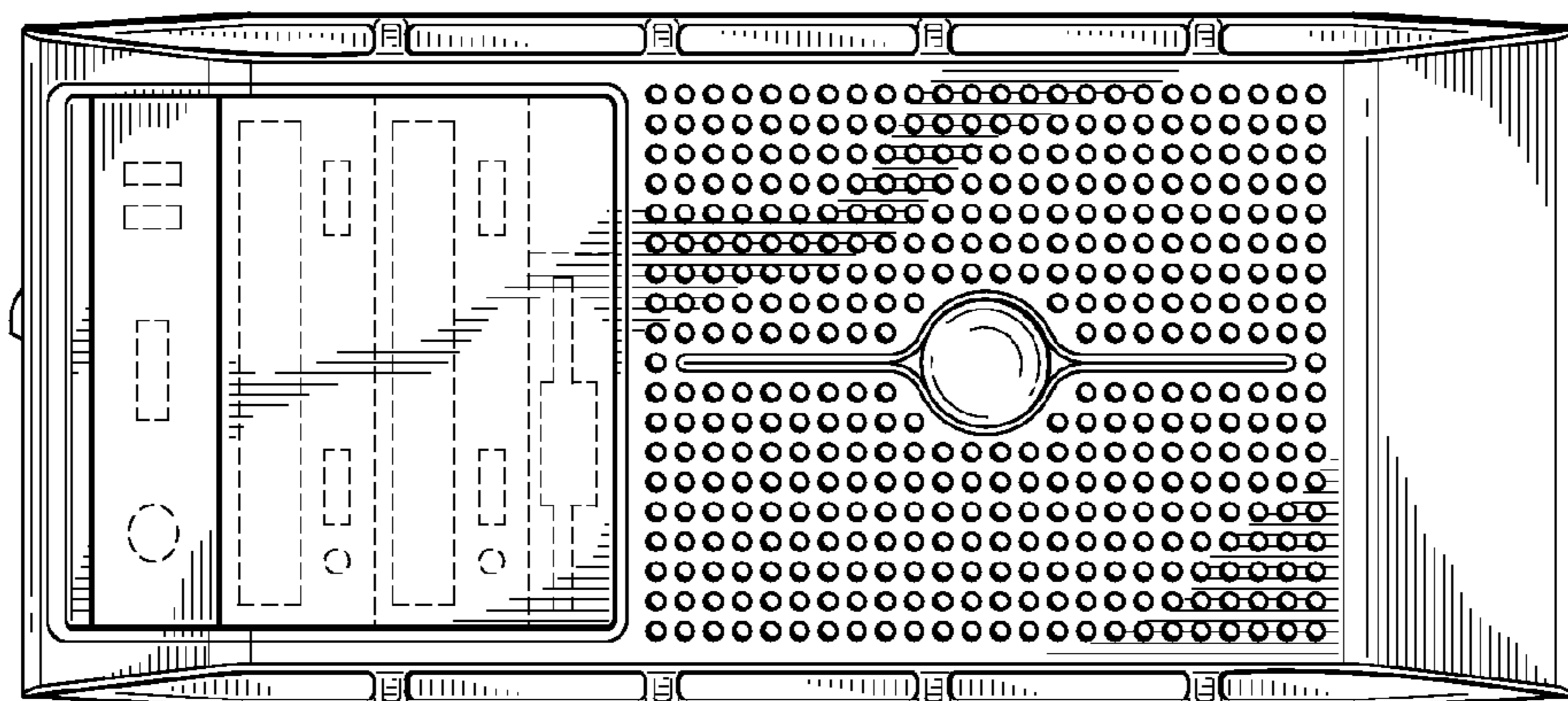


FIG. 2

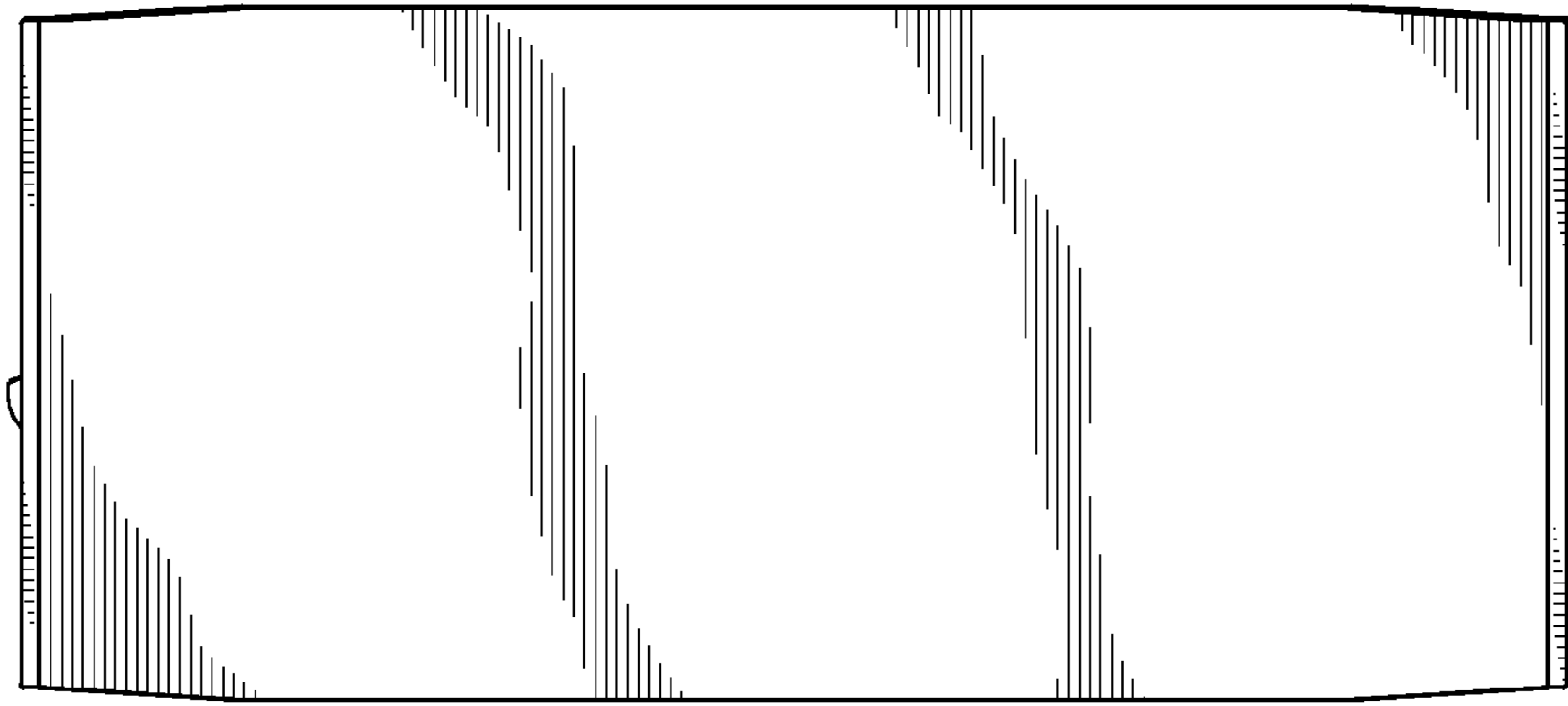


FIG. 7

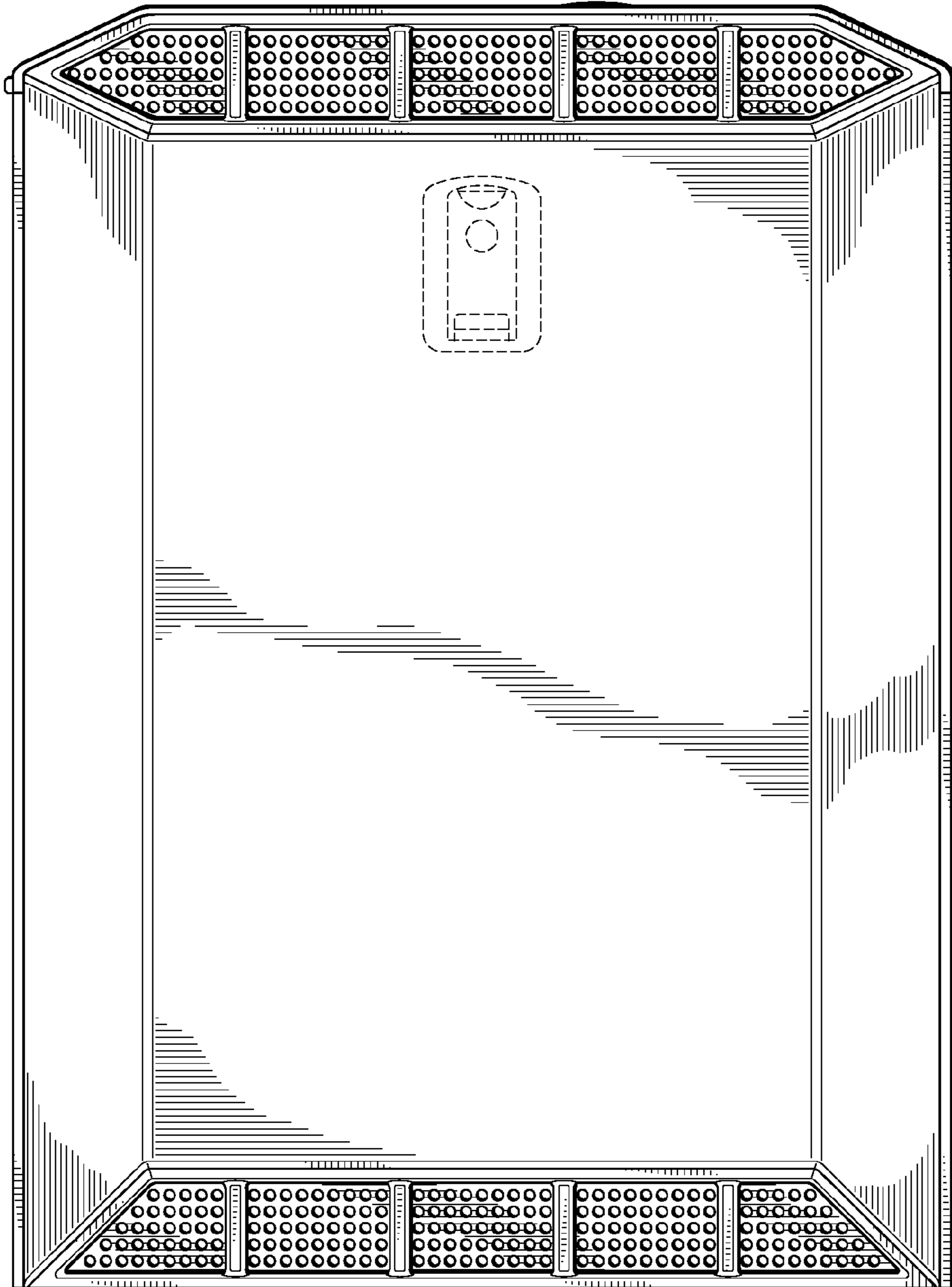


FIG. 4

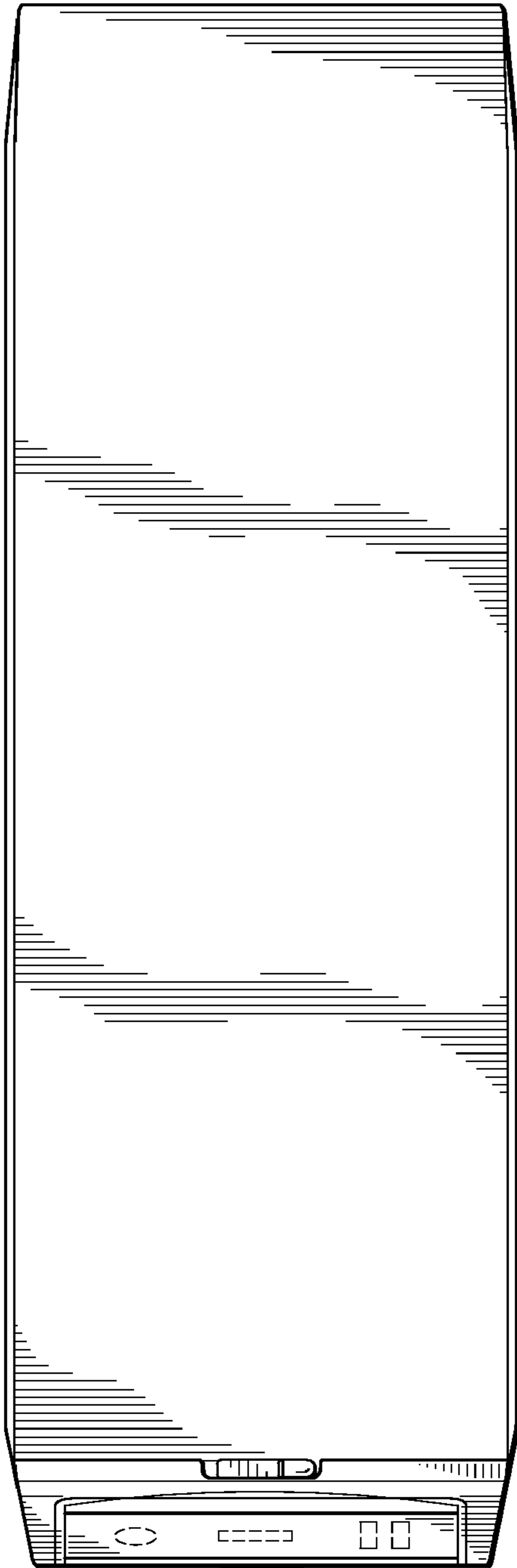


FIG. 5

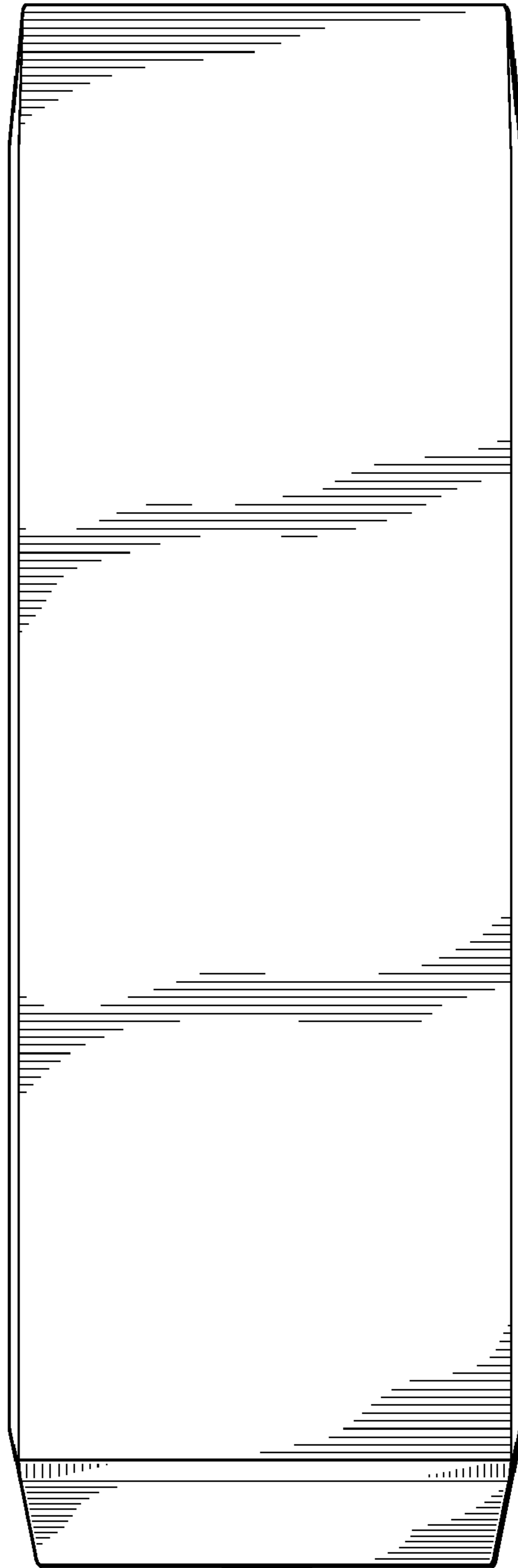


FIG. 6