

US00D575778S

(12) **United States Design Patent**
Dearborn et al.

(10) **Patent No.:** **US D575,778 S**

(45) **Date of Patent:** **** Aug. 26, 2008**

(54) **INFORMATION HANDLING SYSTEM**

(75) Inventors: **Timothy Dearborn**, Lakeway, TX (US);
Scott Lauffer, Austin, TX (US);
Richard Watson, Norwell, MA (US);
Gabor Zanoni, Boston, MA (US)

(73) Assignee: **Dell Products L.P.**, Round Rock, TX
(US)

(**) Term: **14 Years**

(21) Appl. No.: **29/275,840**

(22) Filed: **Jan. 8, 2007**

(51) **LOC (8) Cl.** **14-02**

(52) **U.S. Cl.** **D14/349; D14/300**

(58) **Field of Classification Search** D14/349–356,
D14/300, 301, 308, 444, 310–312; D13/162,
D13/184, 199; 312/223.1–223.2; 360/99.01–99.12;
369/34.01, 36.01; 361/679–686, 690–696,
361/727

See application file for complete search history.

(56) **References Cited**

U.S. PATENT DOCUMENTS

| | | | | |
|--------------|---------|-----------------|-------|-----------|
| D315,551 S * | 3/1991 | Aderman | | D14/349 |
| 5,248,193 A | 9/1993 | Schlemmer | | 312/223.2 |
| D344,266 S * | 2/1994 | Wingate | | D14/349 |
| D345,964 S | 4/1994 | Hultgren et al. | | D14/100 |
| D379,623 S | 6/1997 | Wu | | D14/102 |
| D380,743 S | 7/1997 | Avalos et al. | | D14/107 |
| 5,790,278 A | 8/1998 | Ehrne et al. | | 358/496 |
| D426,198 S * | 6/2000 | Lee et al. | | D14/349 |
| D427,162 S | 6/2000 | Nagase | | D14/107 |
| D435,559 S * | 12/2000 | Tanaka | | D14/444 |
| 6,278,606 B1 | 8/2001 | Schmitt et al. | | 361/683 |
| 6,297,952 B1 | 10/2001 | Liu et al. | | 361/685 |
| D453,020 S * | 1/2002 | Matsuoka | | D14/349 |

| | | | | |
|-------------------|---------|-------------------|-------|-----------|
| D466,506 S * | 12/2002 | Matsuoka | | D14/349 |
| D469,087 S * | 1/2003 | Sue et al. | | D14/349 |
| 6,549,398 B2 | 4/2003 | Chen | | 361/683 |
| D478,077 S | 8/2003 | Harden et al. | | D14/349 |
| D478,586 S | 8/2003 | Lee et al. | | D14/349 |
| D494,169 S | 8/2004 | Lin | | D14/349 |
| D497,162 S | 10/2004 | Neal et al. | | D14/349 |
| 6,829,138 B2 * | 12/2004 | Hartman et al. | | 361/679 |
| D504,895 S | 5/2005 | Frank et al. | | D14/441 |
| D510,934 S * | 10/2005 | Lin | | D14/349 |
| D523,427 S * | 6/2006 | Tsuzuki et al. | | D14/300 |
| D537,444 S | 2/2007 | Lauffer et al. | | D14/349 |
| 2003/0026067 A1 * | 2/2003 | Rubenstein et al. | | 361/681 |
| 2003/0122457 A1 | 7/2003 | Diaz et al. | | 312/223.2 |
| 2005/0012436 A1 | 1/2005 | Lai | | 312/223.2 |

* cited by examiner

Primary Examiner—Freda S Nunn

(74) *Attorney, Agent, or Firm*—Hamilton & Terrile, LLP;
Stephen A. Terrile

(57) **CLAIM**

The ornamental design for an information handling system,
as shown and described.

DESCRIPTION

FIG. 1 is a front perspective view of the information handling
system comprising the present invention;

FIG. 2 is a front side view thereof;

FIG. 3 is a left side view thereof;

FIG. 4 is a right side view thereof;

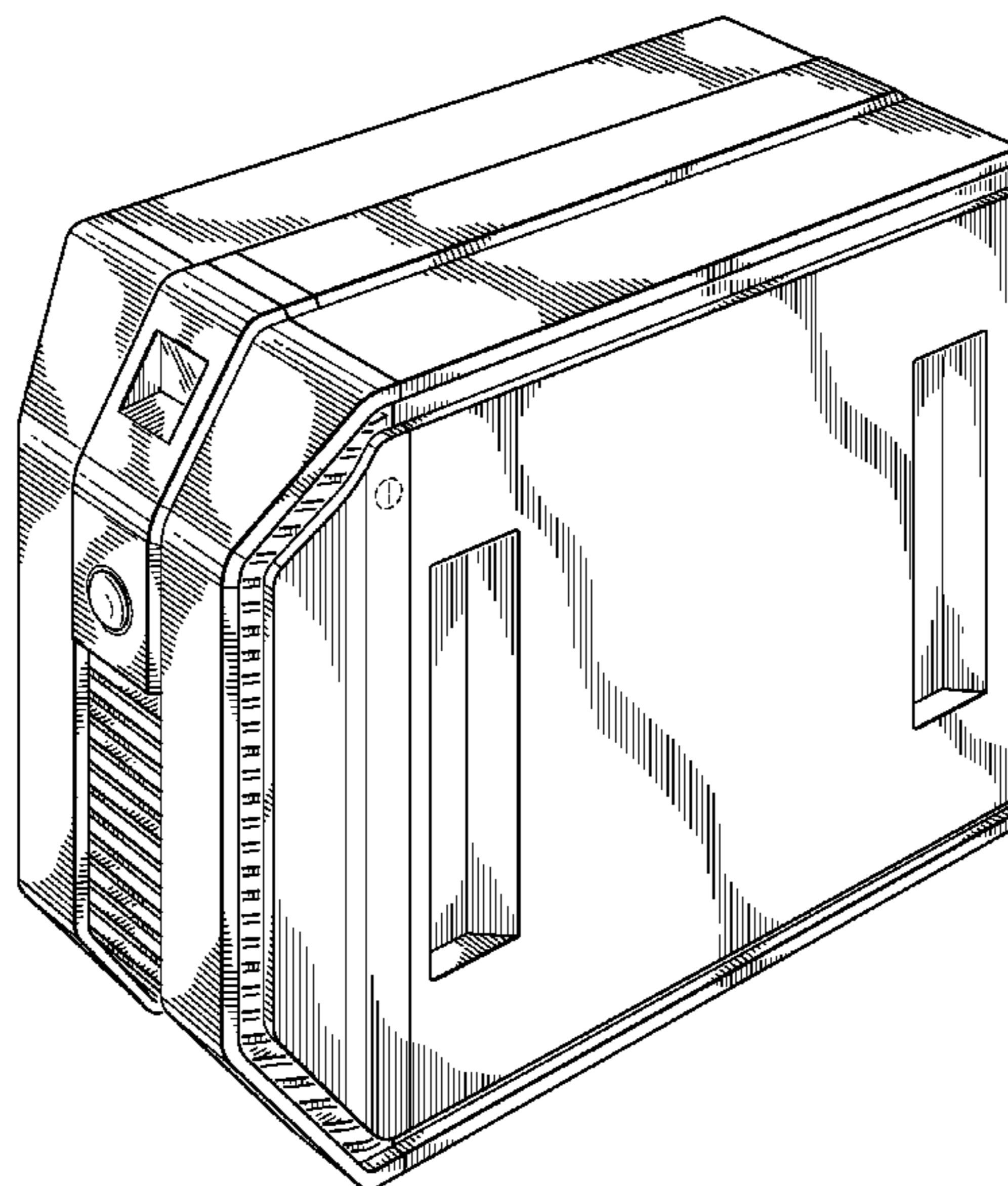
FIG. 5 is a top plan view thereof;

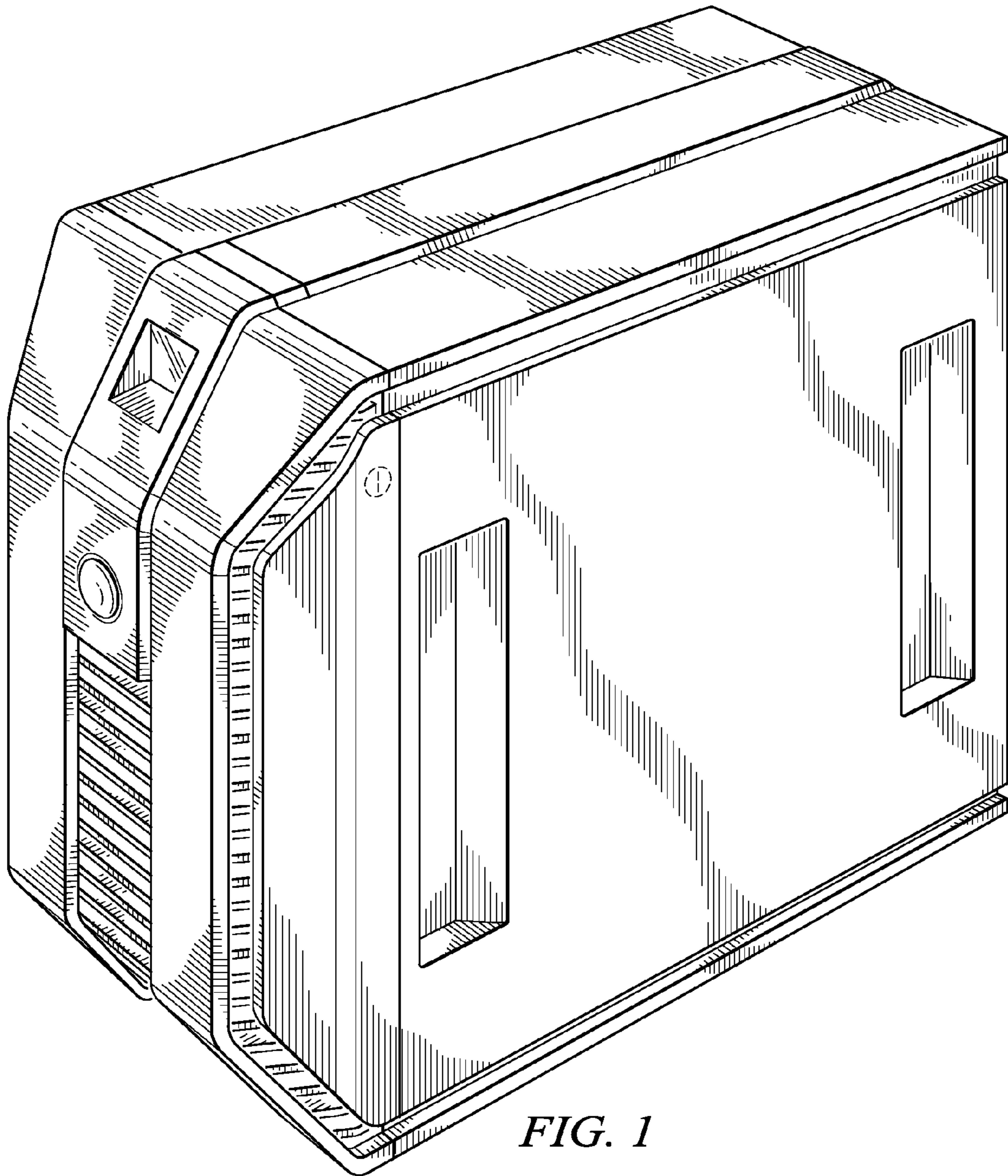
FIG. 6 is a bottom plan view thereof; and,

FIG. 7 is a rear view thereof.

The broken lines are considered environmental only and do
not form a part of the claimed design.

1 Claim, 4 Drawing Sheets





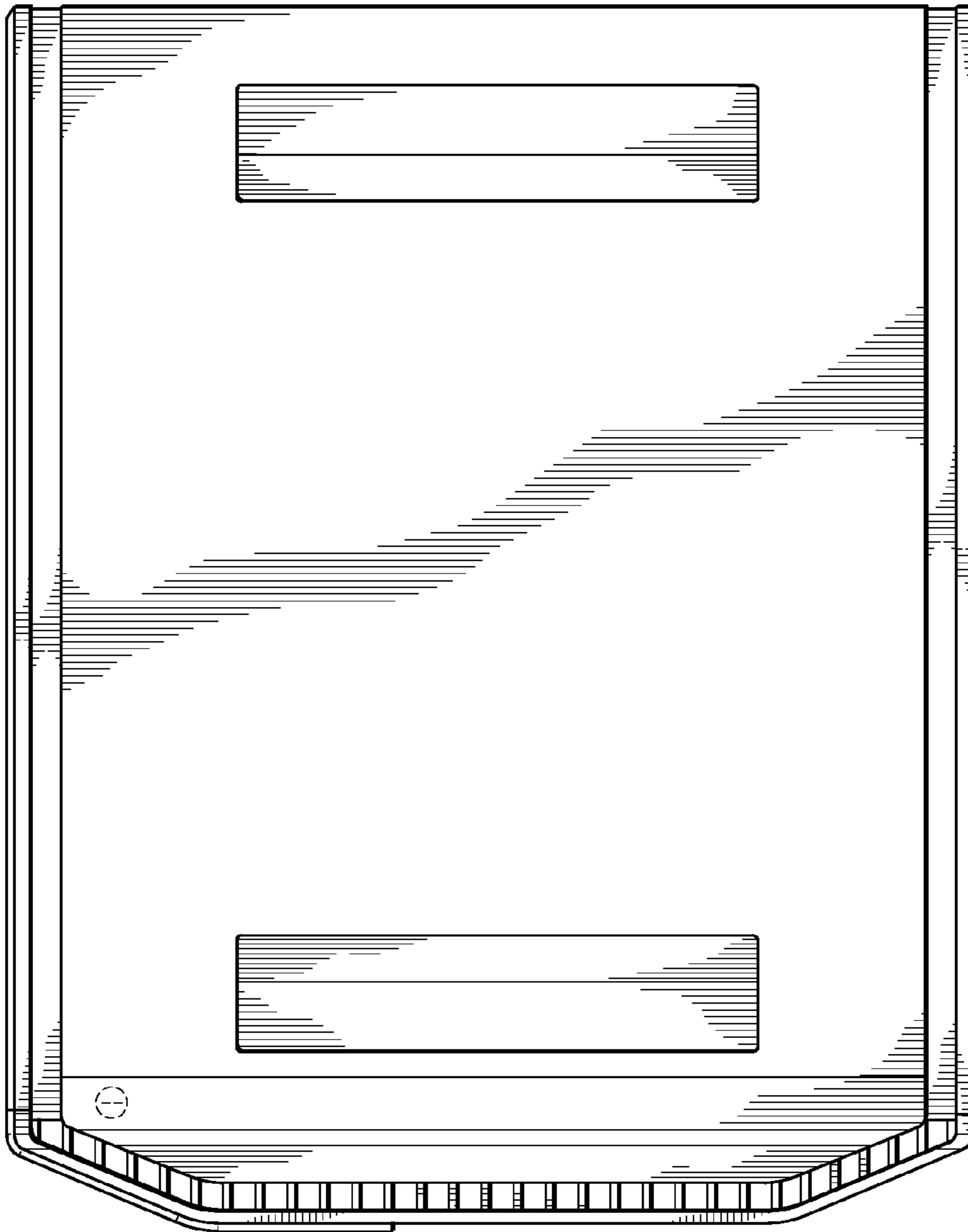


FIG. 3

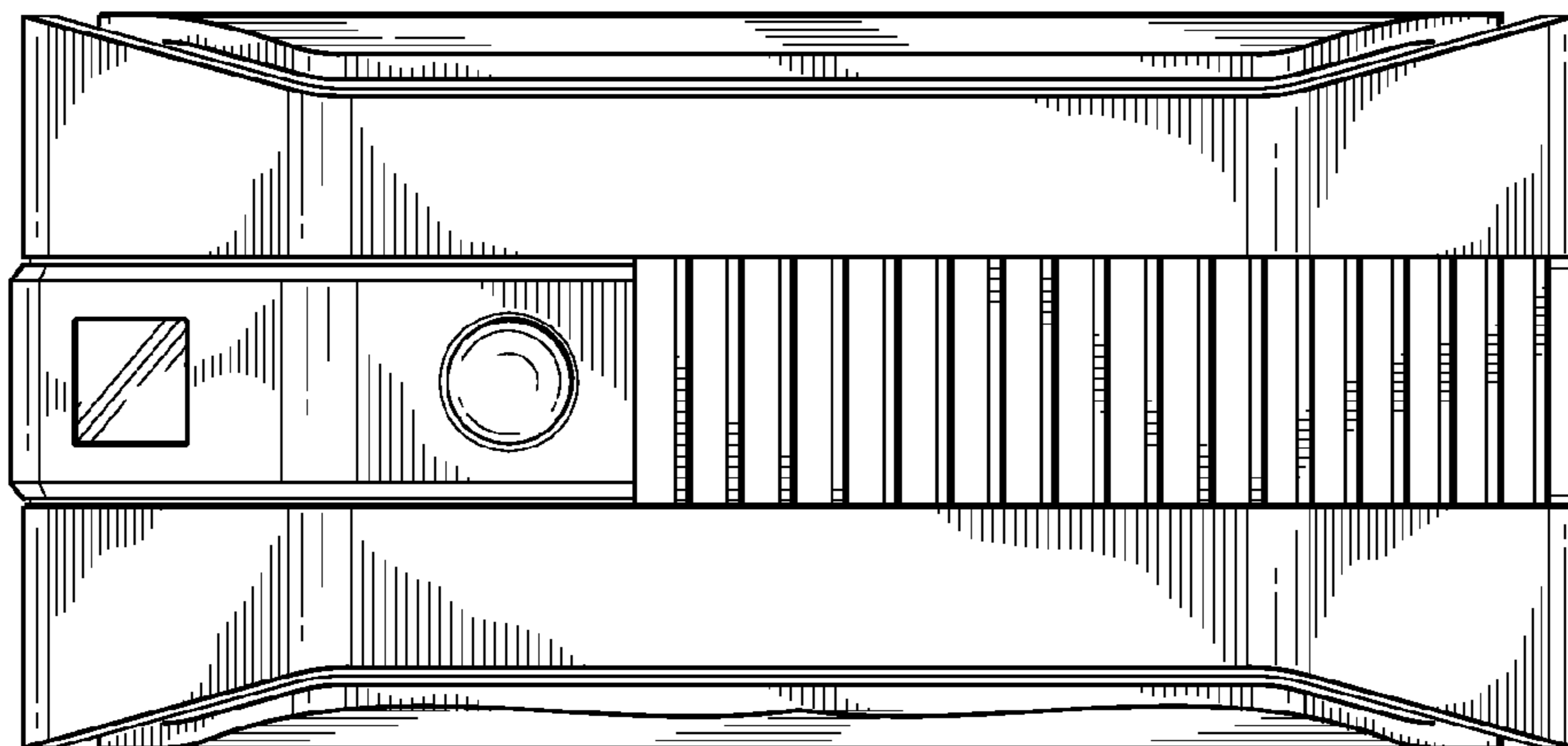


FIG. 2

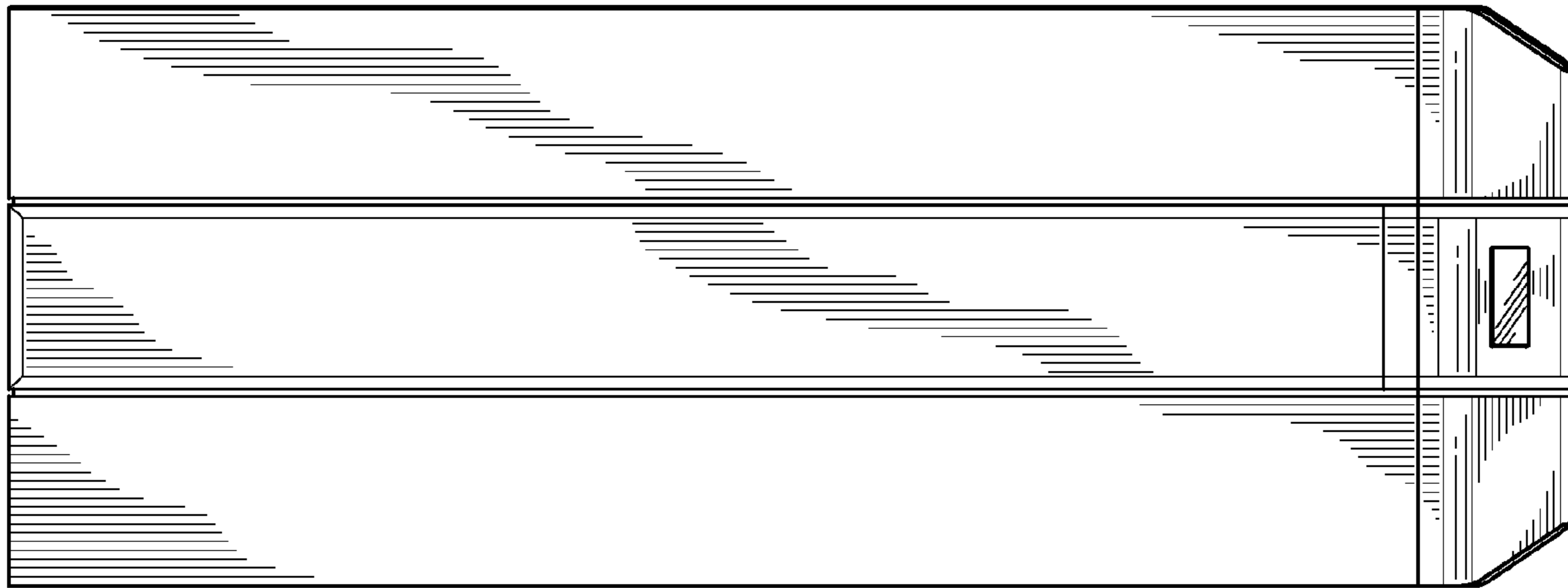


FIG. 5

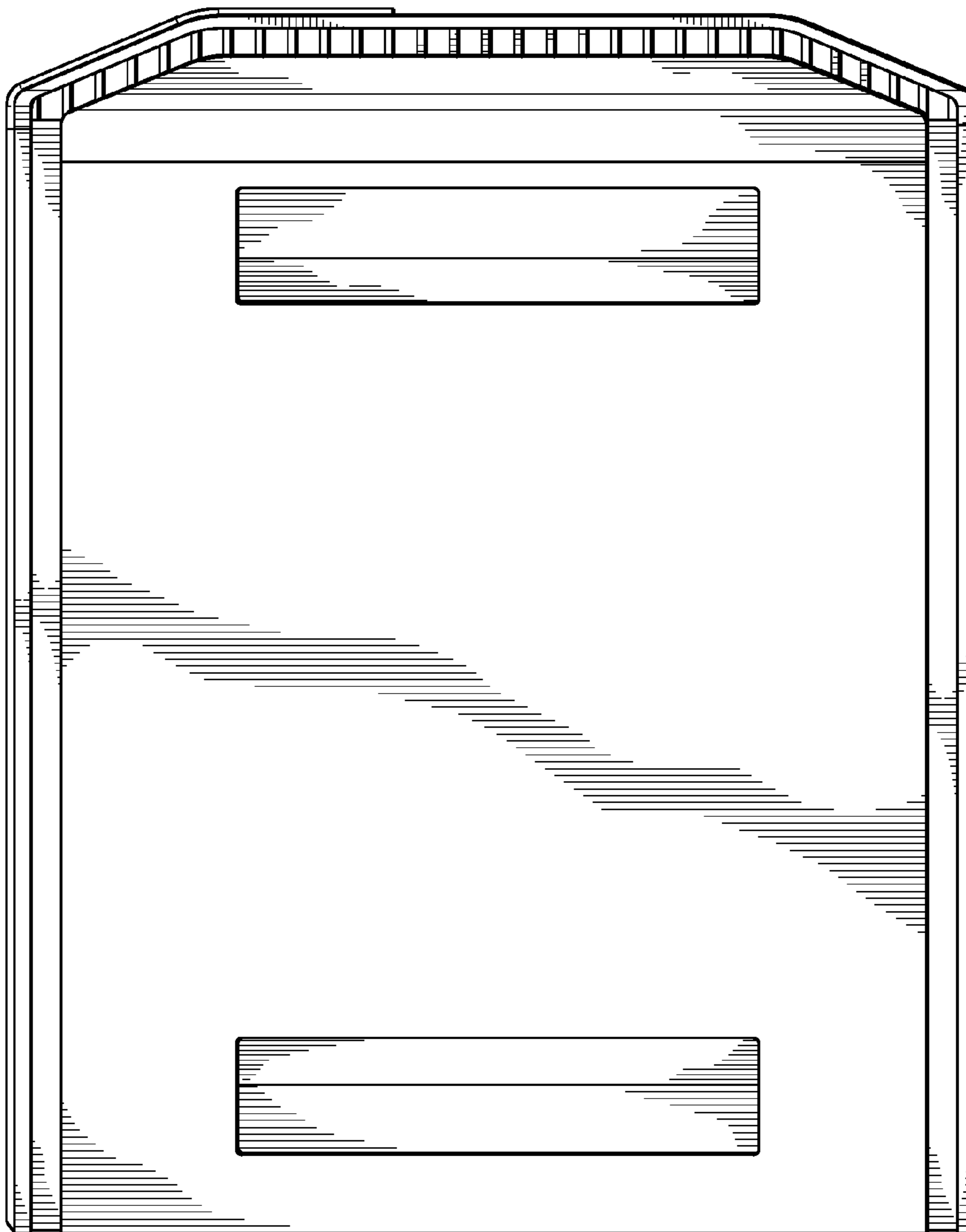


FIG. 4

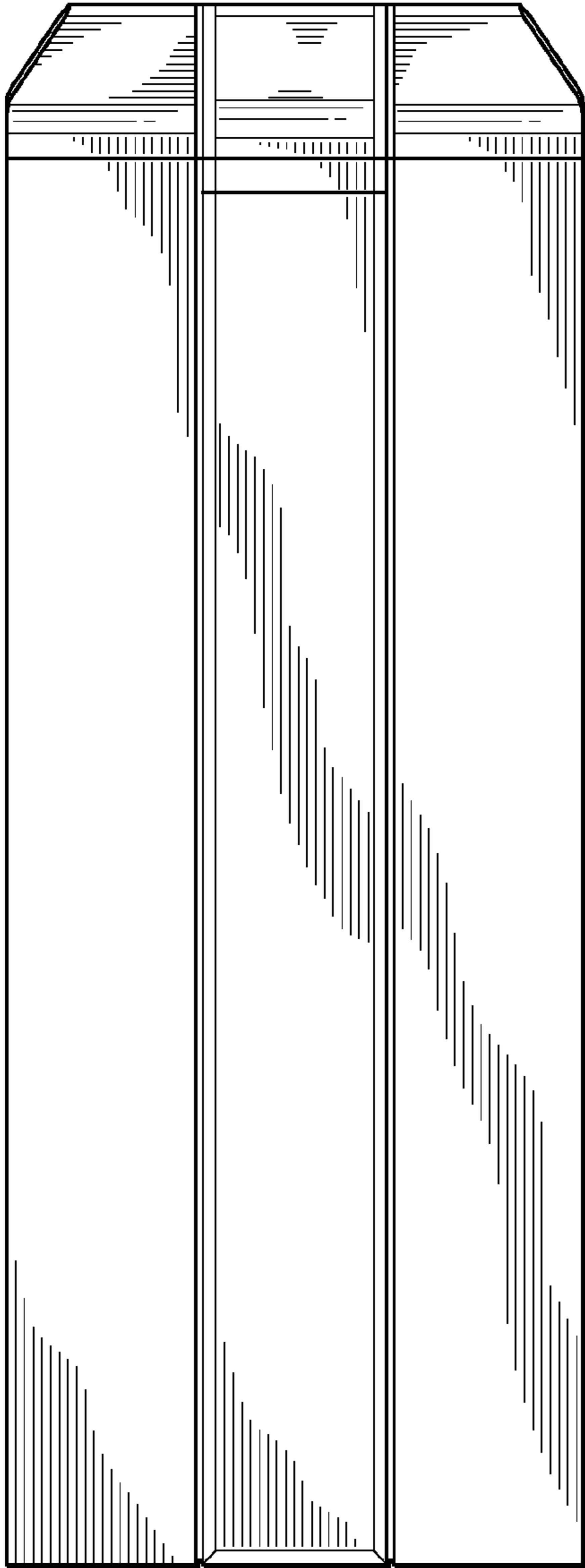


FIG. 6

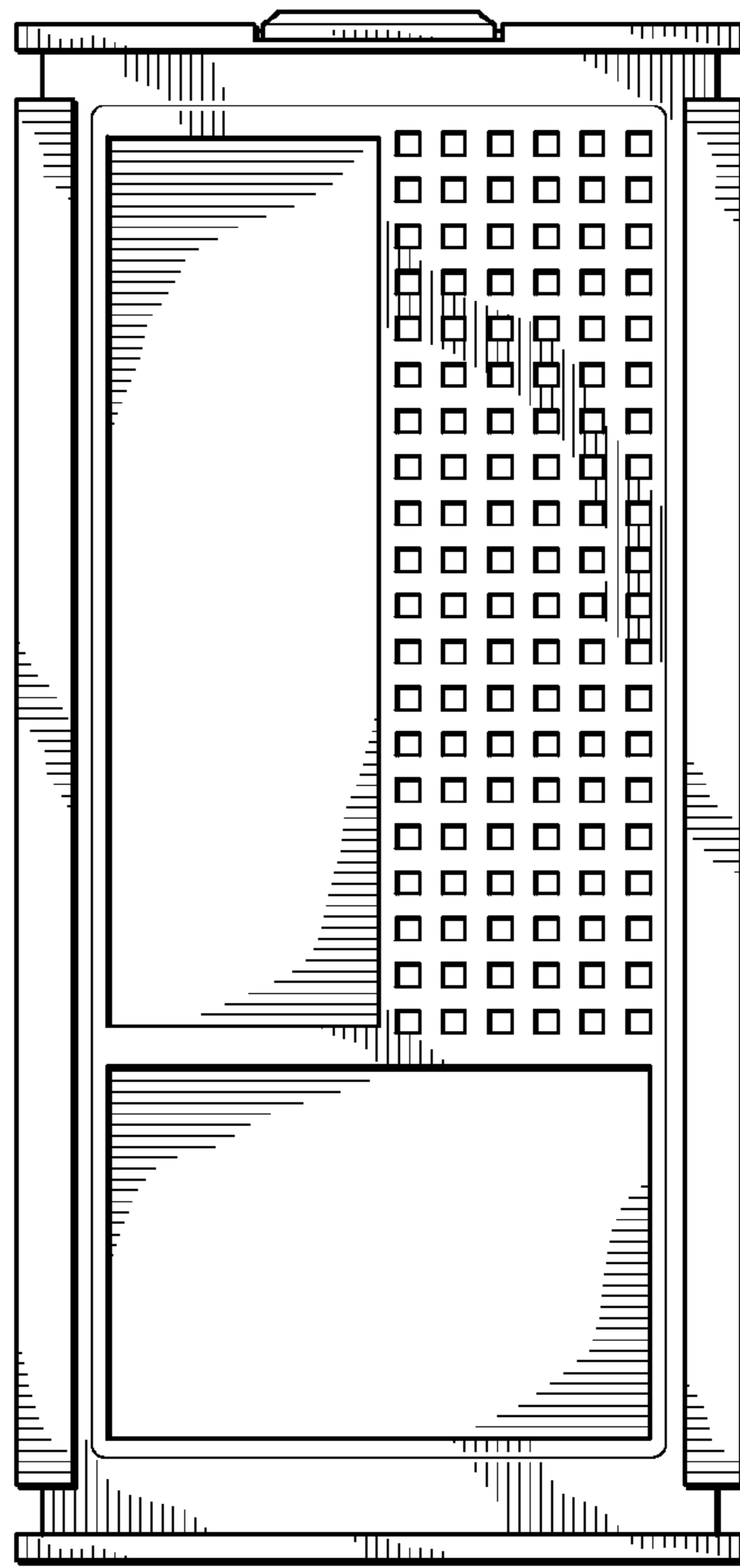


FIG. 7