



US00D575773S

(12) **United States Design Patent**  
**Yanai**

(10) **Patent No.:** **US D575,773 S**

(45) **Date of Patent:** **\*\* Aug. 26, 2008**

(54) **EARPHONE**

(75) Inventor: **Yuichi Yanai**, Tokyo (JP)

(73) Assignee: **Victor Company of Japan, Limited**,  
Yokohama-Shi (JP)

(\*\*) Term: **14 Years**

(21) Appl. No.: **29/290,497**

(22) Filed: **Dec. 11, 2007**

(30) **Foreign Application Priority Data**

Jun. 12, 2007 (JP) ..... D2007-015567

(51) **LOC (8) Cl.** ..... **14-01**

(52) **U.S. Cl.** ..... **D14/223**

(58) **Field of Classification Search** ..... D14/205–206,  
D14/223; 181/129–130, 135; 379/330, 381,  
379/430, 433.1, 420.04, 420.03, 420.02;  
D24/174, 175; 381/330, 370, 375–379, 380,  
381/381, 385, 387; 128/864, 865; 455/151.1,  
455/151, 153.1, 353–355

See application file for complete search history.

(56) **References Cited**

**U.S. PATENT DOCUMENTS**

2,904,640 A \* 9/1959 Dreher et al. .... 379/430  
D487,077 S \* 2/2004 Obata ..... D14/223  
D494,956 S \* 8/2004 Sabick et al. .... D14/205  
D532,770 S \* 11/2006 Engstrom et al. .... D14/205  
D539,268 S \* 3/2007 Suzuki ..... D14/206  
D540,312 S \* 4/2007 Atamaniuk et al. .... D14/223

D554,756 S \* 11/2007 Sjursen et al. .... D24/174

D557,253 S \* 12/2007 Engstrom et al. .... D14/205

D557,254 S \* 12/2007 Engstrom et al. .... D14/205

D557,689 S \* 12/2007 Huang ..... D14/223

D563,945 S \* 3/2008 Johns et al. .... D14/205

D564,495 S \* 3/2008 Sasaki ..... D14/205

D565,022 S \* 3/2008 Belliveau et al. .... D14/205

\* cited by examiner

*Primary Examiner*—Paula A Greene

(74) *Attorney, Agent, or Firm*—Nath Law Group; Jerald L.  
Meyer; Derek Richmond

(57) **CLAIM**

The ornamental design for an earphone, as shown and  
described.

**DESCRIPTION**

FIG. 1 is a perspective view of an earphone;

FIG. 2 is a front view thereof;

FIG. 3 is a rear view thereof;

FIG. 4 is a top plan view thereof;

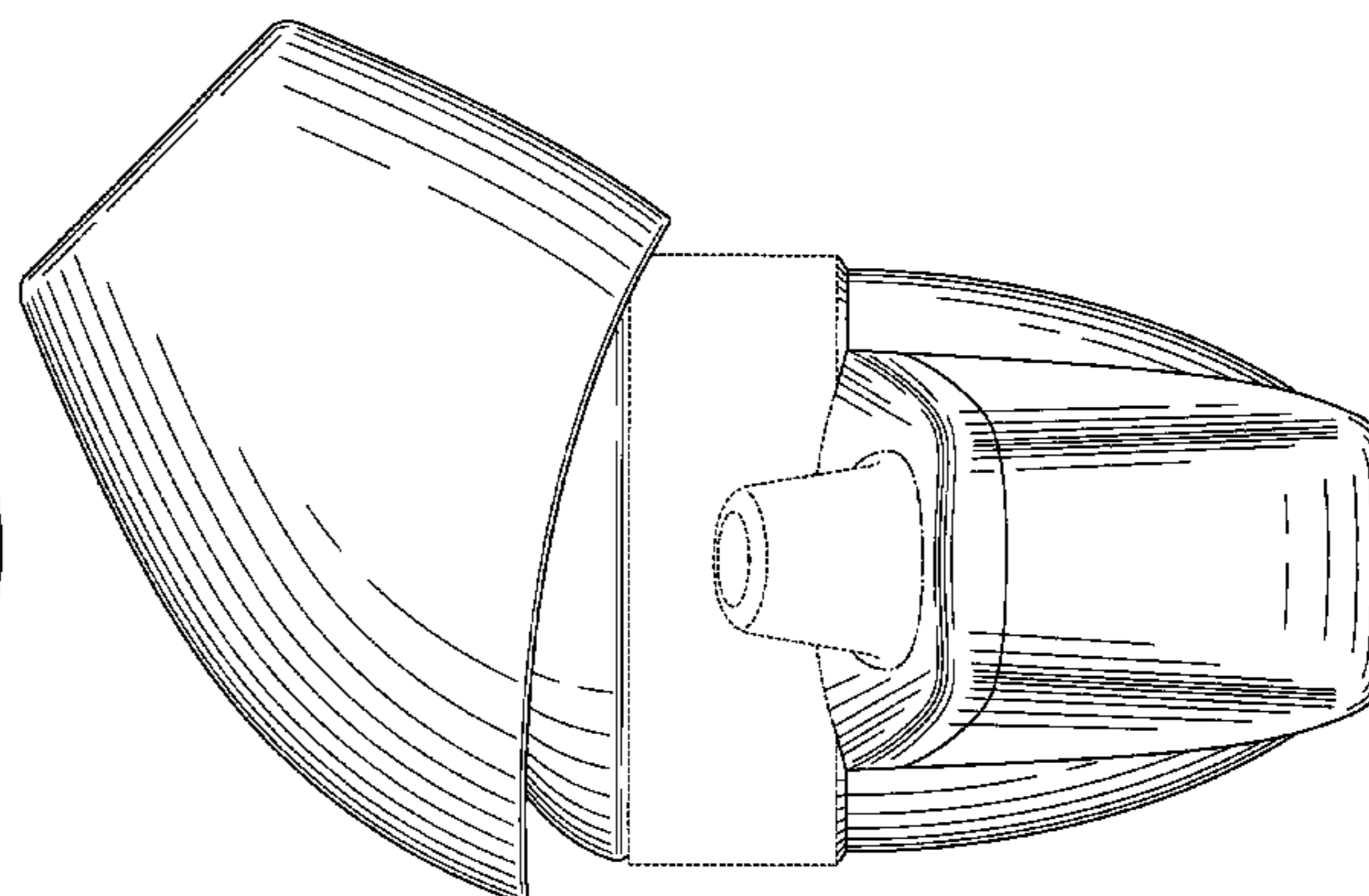
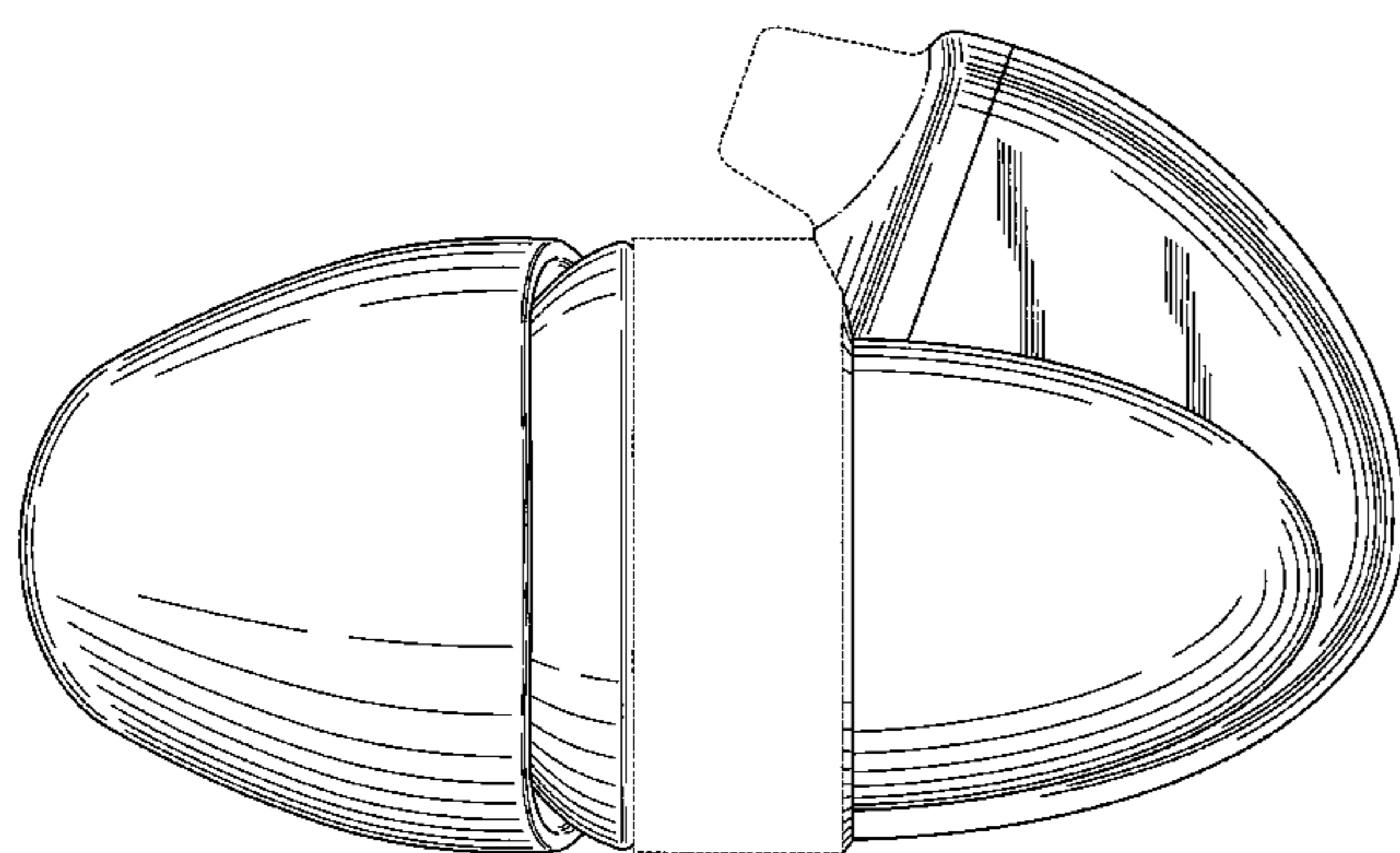
FIG. 5 is a bottom plan view thereof;

FIG. 6 is a right side view thereof; and,

FIG. 7 is a left side view thereof.

The broken lines showing on the drawing disclosure are for  
illustrative purposes only and form no part of the claimed  
design. The lines consisting of long lines and dots indicate  
conceptual border lines between the claimed portions and the  
disclaimed portions.

**1 Claim, 7 Drawing Sheets**



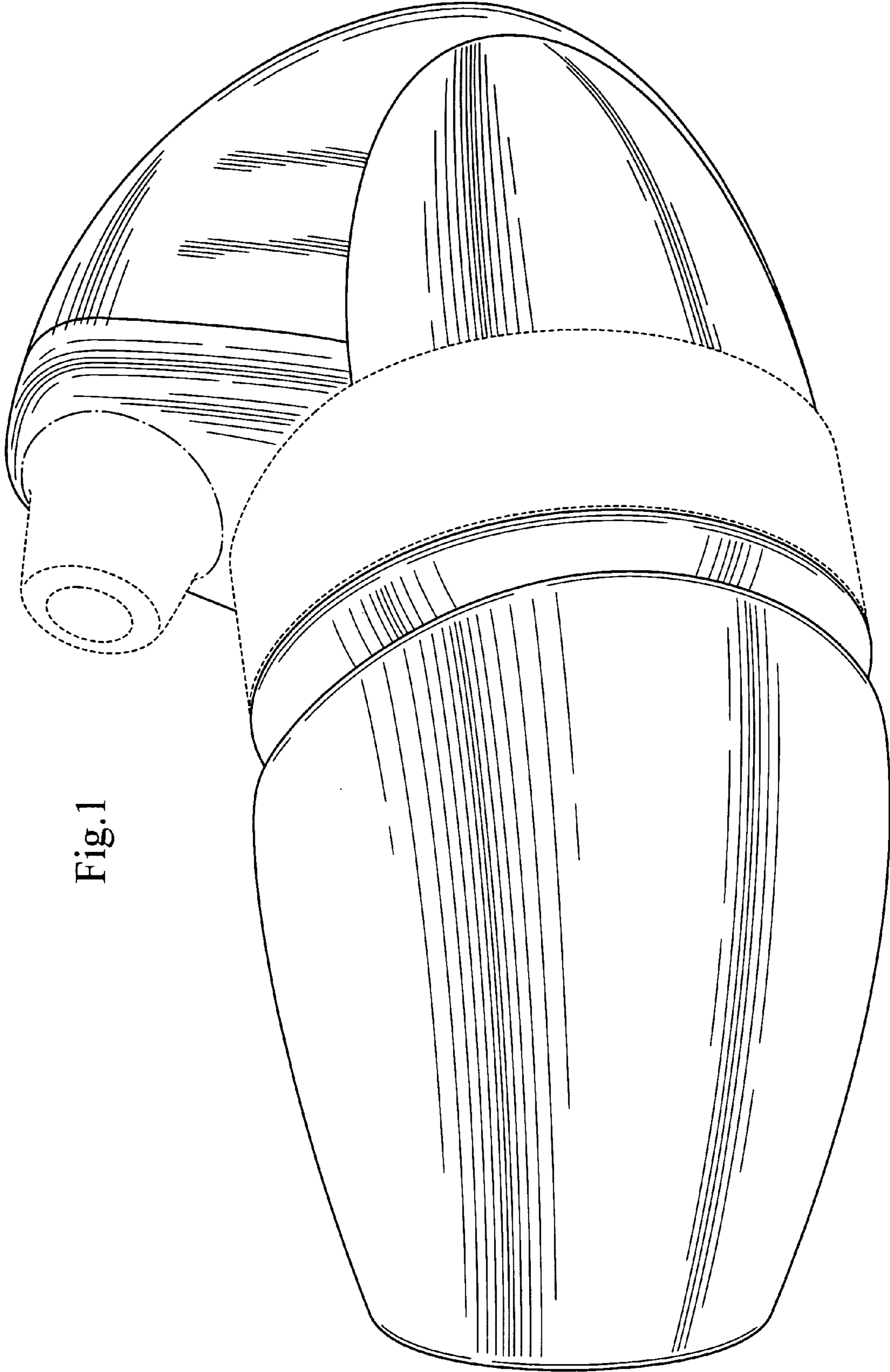


Fig.1

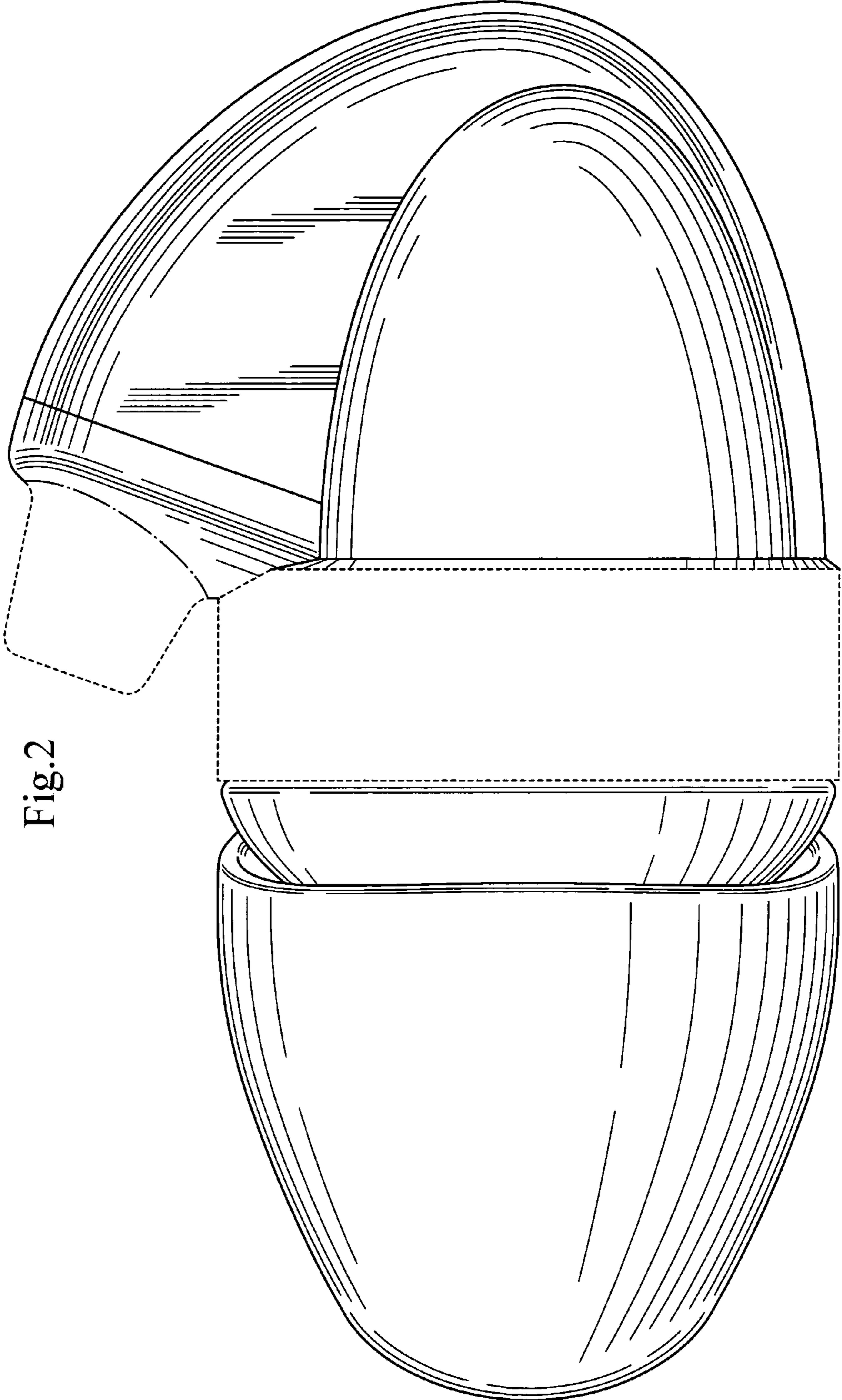


Fig.2

Fig.3

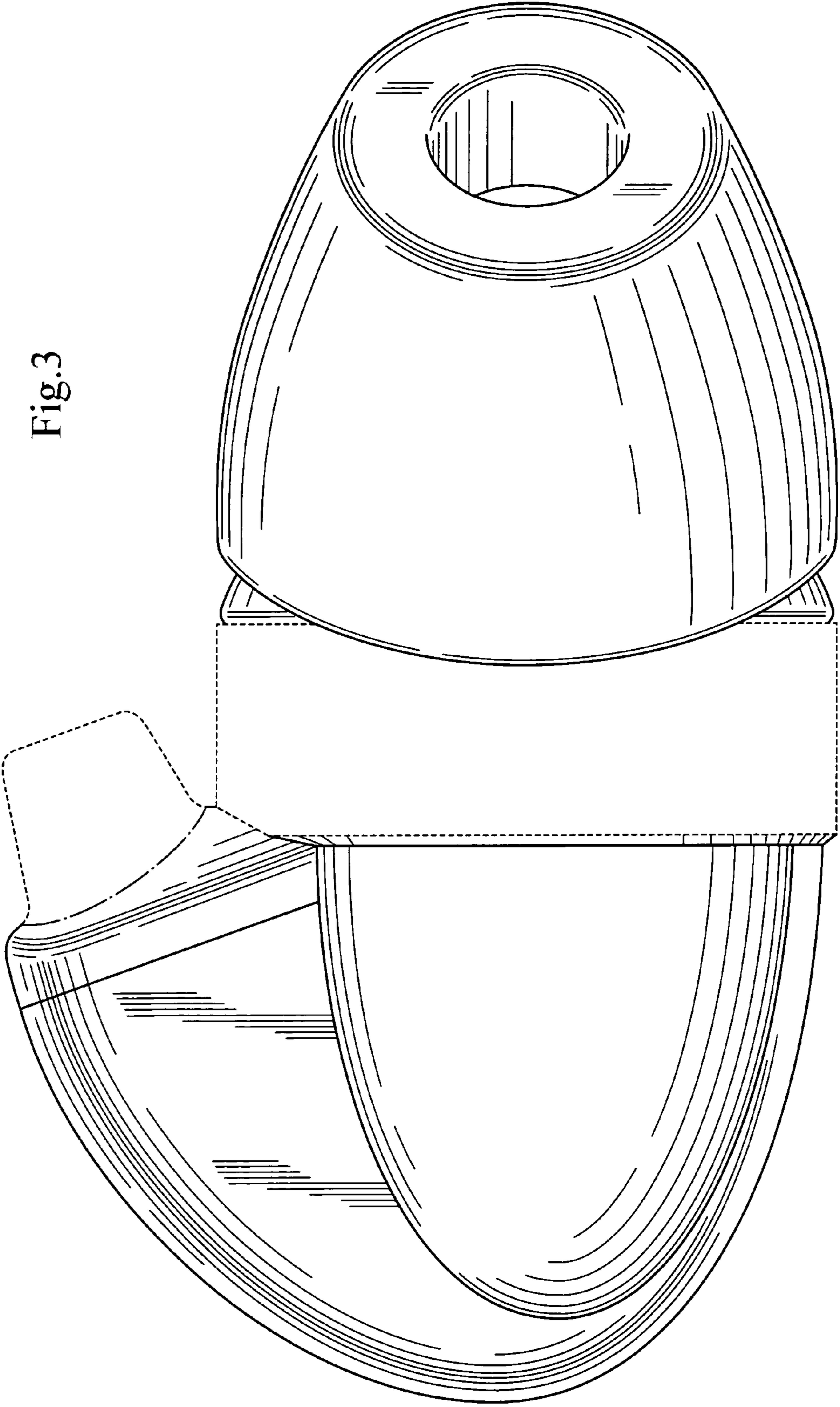


Fig.4

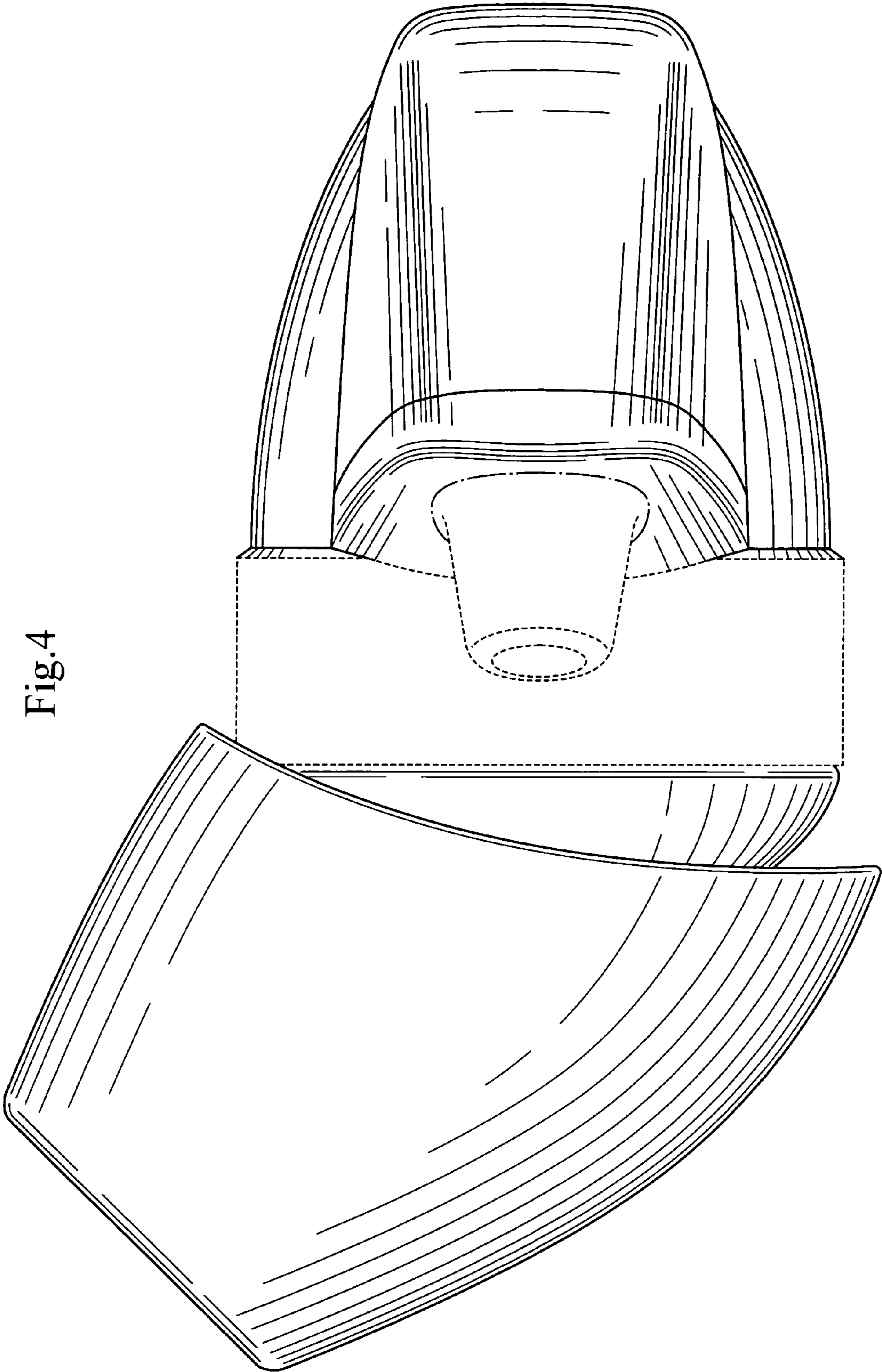


Fig.5

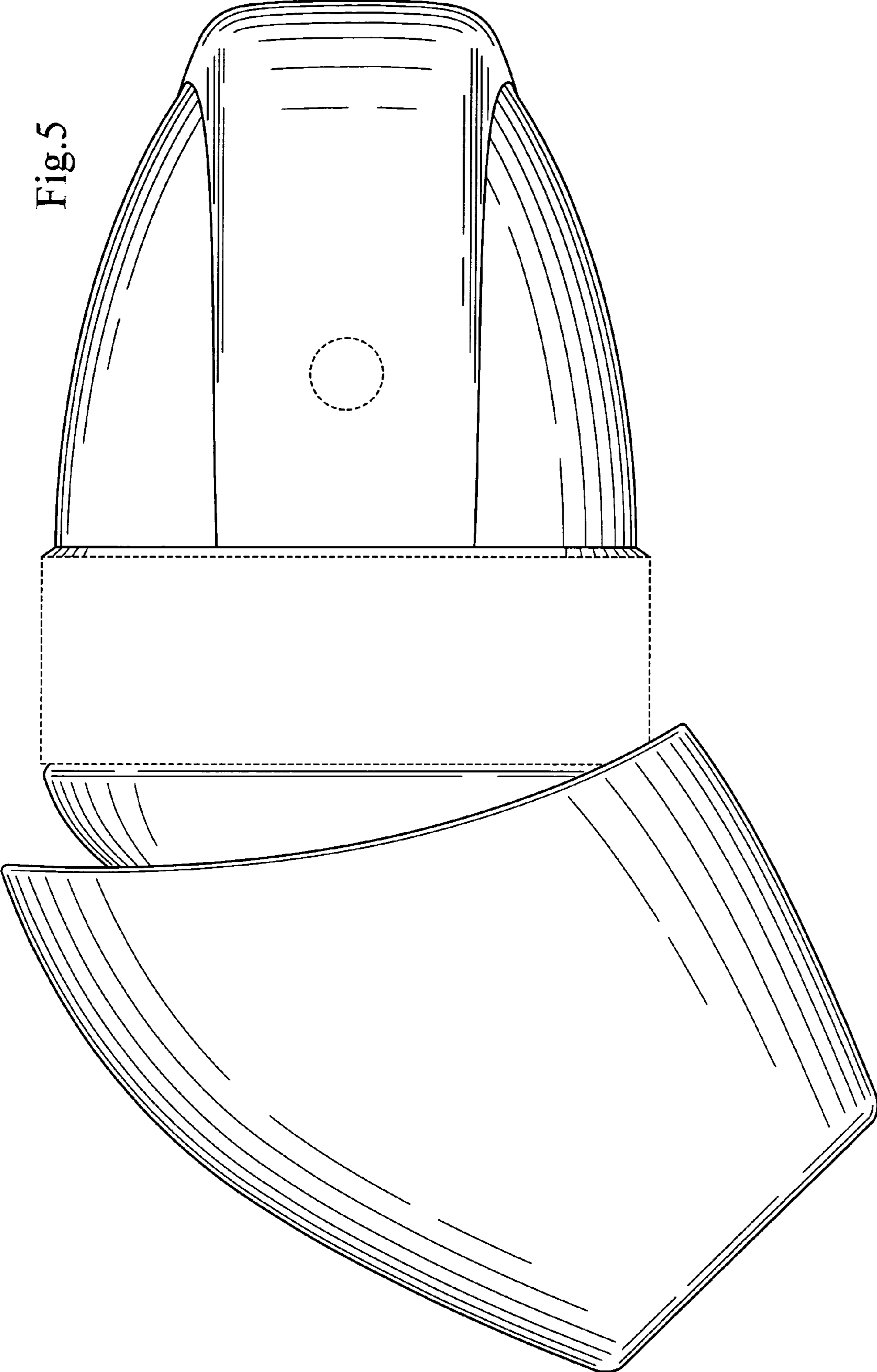


Fig.6

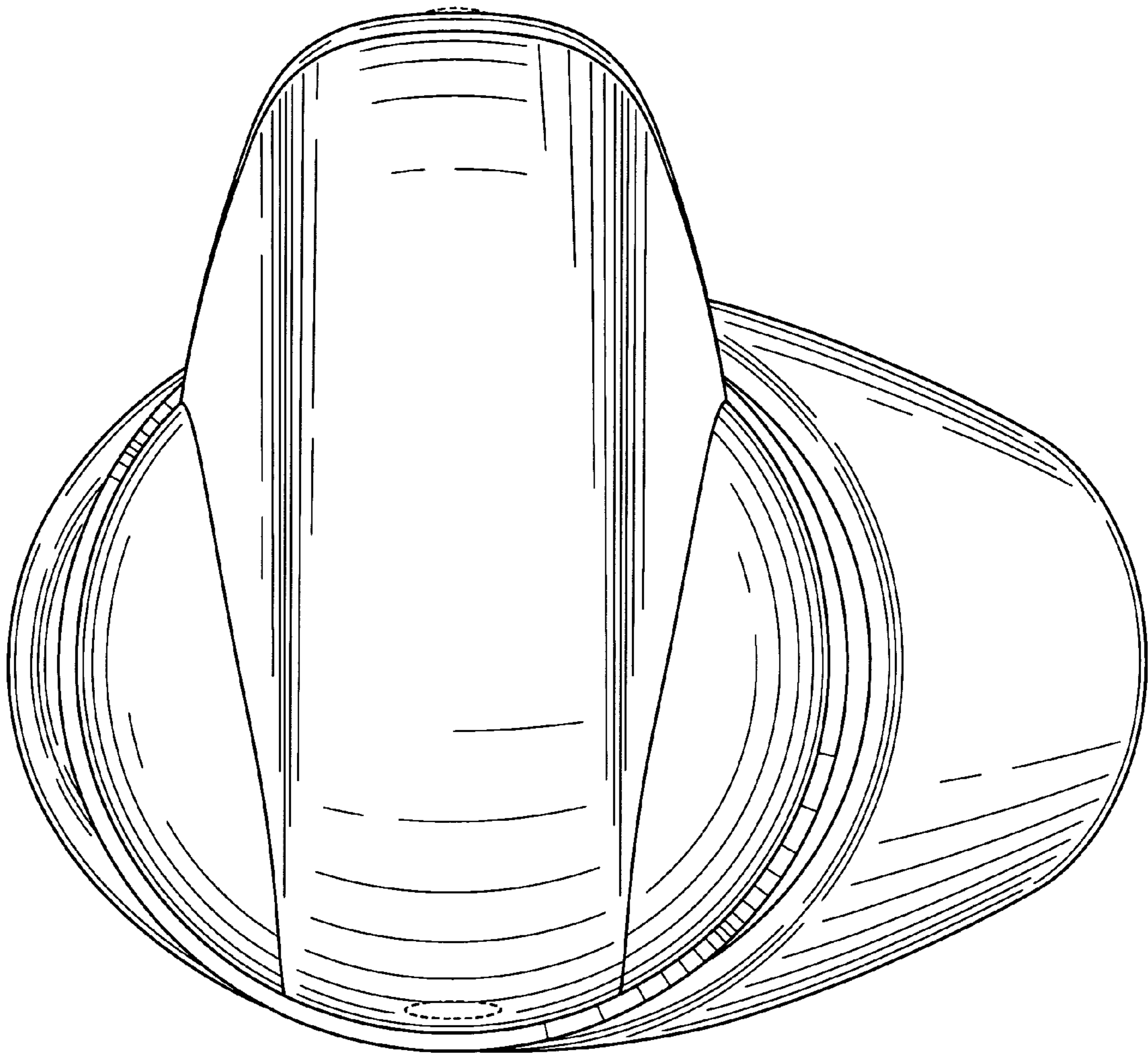


Fig.7

