



US00D575771S

(12) **United States Design Patent**
Tolve

(10) **Patent No.:** **US D575,771 S**

(45) **Date of Patent:** **** Aug. 26, 2008**

(54) **HELMET ADJUNCT FOR RETENTION OF PORTABLE AUDIO DEVICE**

(76) Inventor: **Anthony Tolve**, 16 Lake Region Blvd.,
Monroe, NY (US) 10950

(**) Term: **14 Years**

(21) Appl. No.: **29/294,086**

(22) Filed: **Dec. 21, 2007**

(51) **LOC (8) Cl.** **14-02**

(52) **U.S. Cl.** **D14/217; D14/192; D3/218**

(58) **Field of Classification Search** D14/142,
D14/149, 188, 191–193, 217, 251, 432–435,
D14/447, 496; D13/107, 108, 118; D3/218;
248/221.11, 309.1; 320/107, 110, 113–115;
361/600, 679, 683, 686; 439/529, 534; 455/556.1,
455/556.2, 557

See application file for complete search history.

(56) **References Cited**

U.S. PATENT DOCUMENTS

D284,080	S	*	6/1986	Swezey et al.	D14/192
D352,706	S		11/1994	Hong	D14/137
D401,935	S	*	12/1998	Scalisi et al.	D14/191
D526,650	S	*	8/2006	Hayes et al.	D14/435
D530,079	S	*	10/2006	Thomas et al.	D3/218
D535,279	S	*	1/2007	Krieger et al.	D14/155
D543,970	S	*	6/2007	Griffin	D14/217
D551,847	S	*	10/2007	Yeap et al.	D3/201
D555,149	S	*	11/2007	Griffin	D14/217
D567,500	S	*	4/2008	Kwak et al.	D3/218

* cited by examiner

Primary Examiner—Stella M. Reid

Assistant Examiner—Keli L Acker

(74) *Attorney, Agent, or Firm*—Sandra M. Kotin

(57) **CLAIM**

The ornamental design for a helmet adjunct for retention of a portable audio device, as shown and described.

DESCRIPTION

FIG. 1 is a left side elevational view of the helmet adjunct of the instant invention;

FIG. 2 is a top plan view of the helmet adjunct;

FIG. 3 is a rear elevational view of the helmet adjunct;

FIG. 4 is a bottom plan view in of the helmet adjunct;

FIG. 5 is a right side elevational view of the helmet adjunct;

FIG. 6 is a front elevational view of the helmet adjunct;

FIG. 7 is a left side, top and rear perspective view of the helmet adjunct;

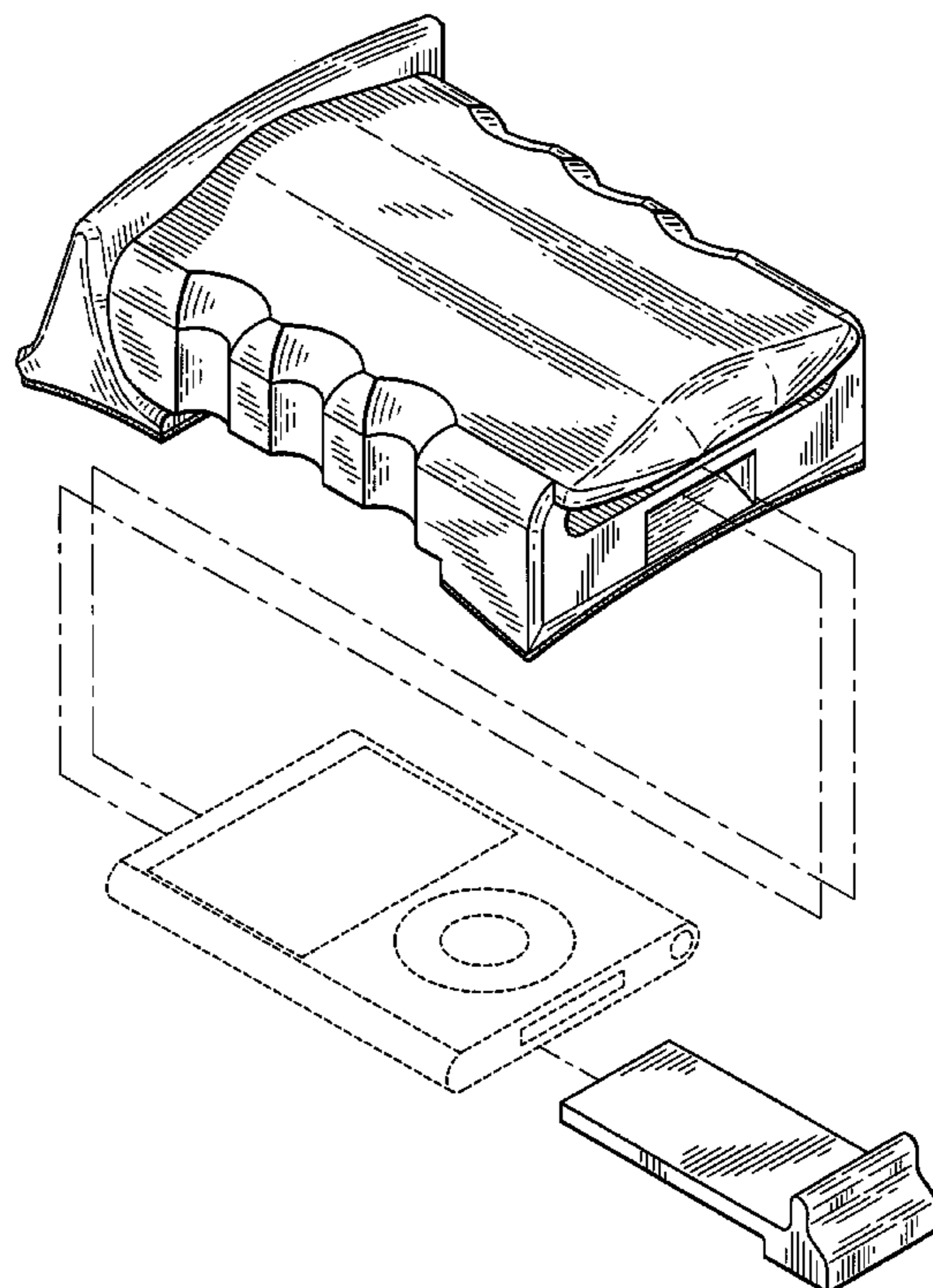
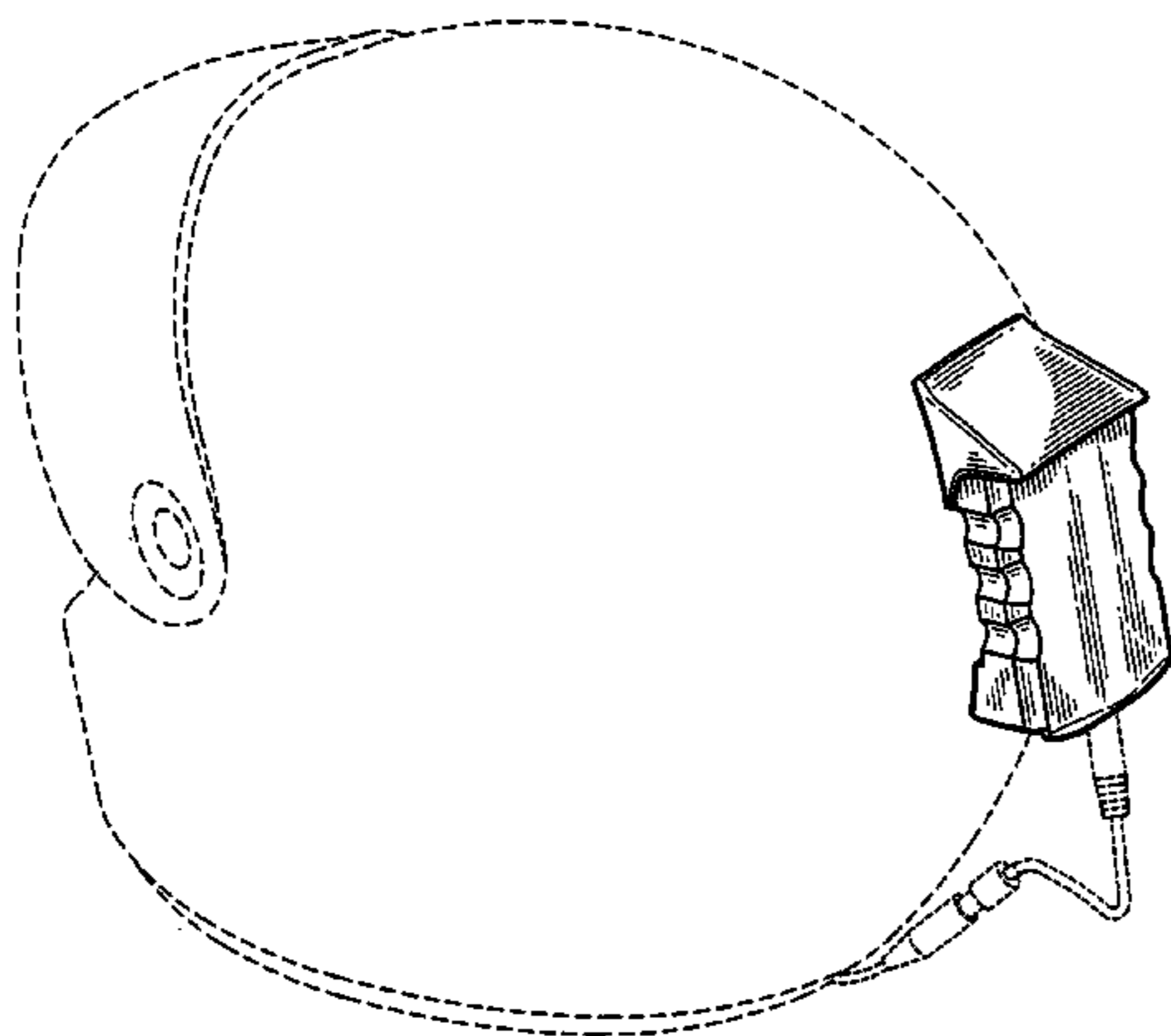
FIG. 8 is a perspective view of the helmet adjunct mounted on a helmet which is shown speaker cable in dotted lines; and,

FIG. 9 is an exploded perspective view of the helmet adjunct with the audio device shown in dotted lines.

All portions not shown form no part of the claimed design.

The broken line showing of the helmet and audio device is included for the purpose of illustrating environmental structure and forms no part of the claimed design.

1 Claim, 4 Drawing Sheets



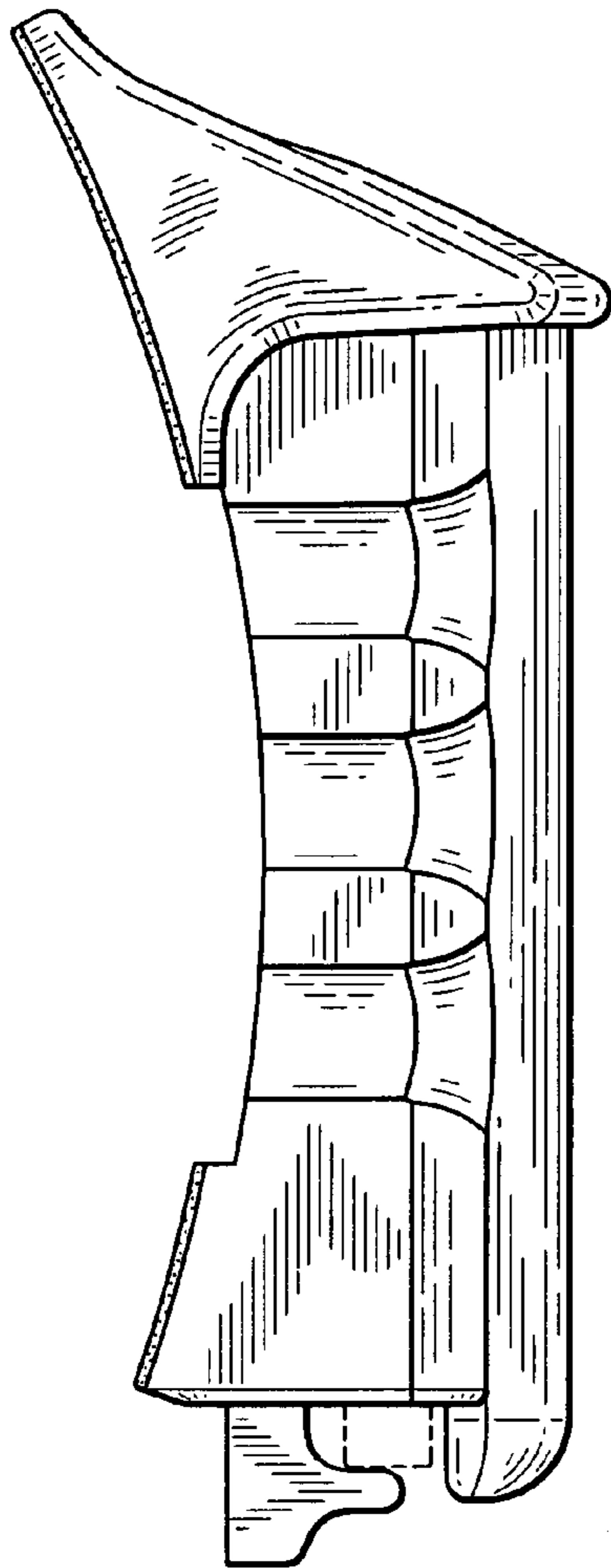


FIG. 1

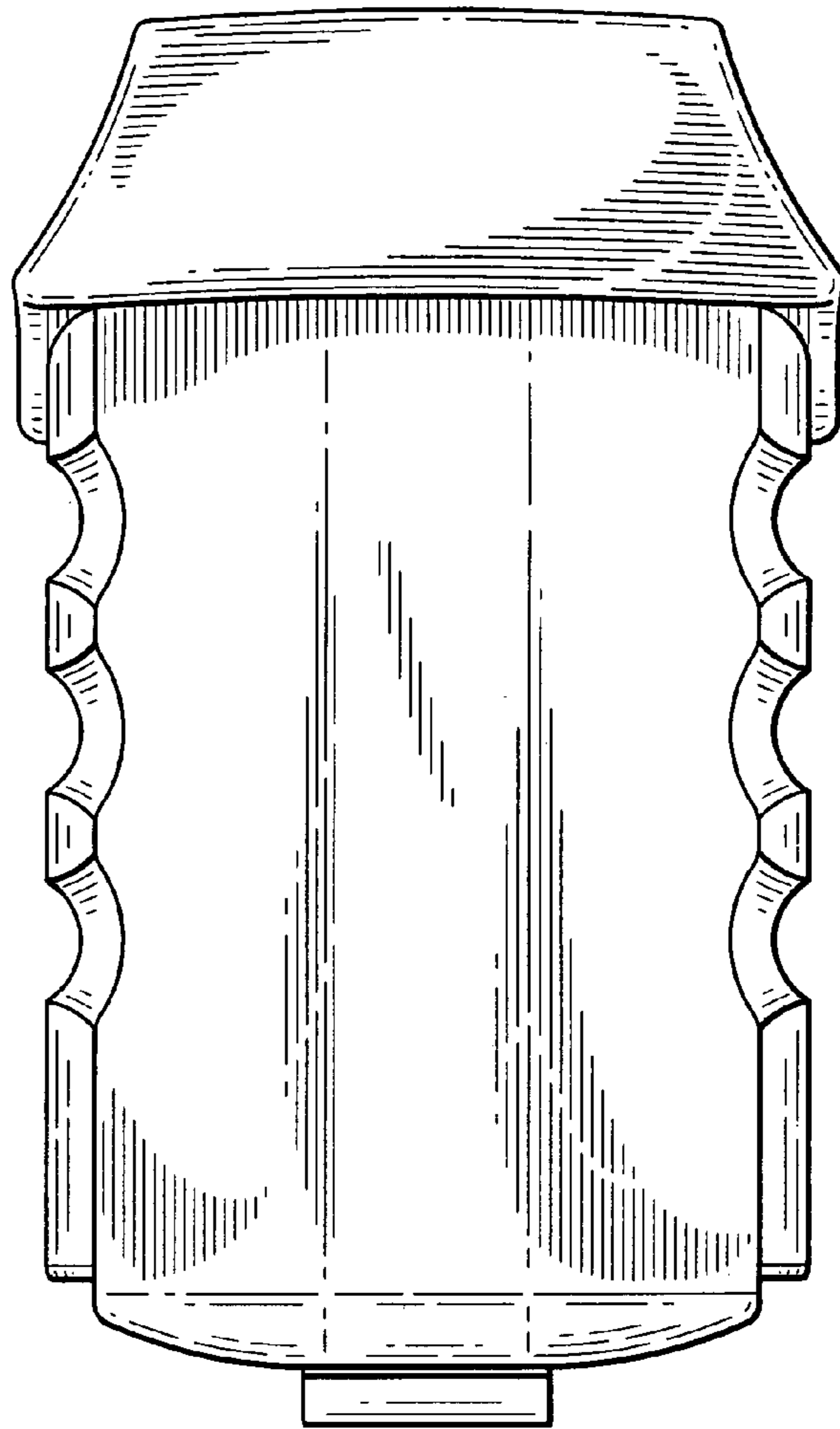


FIG. 2

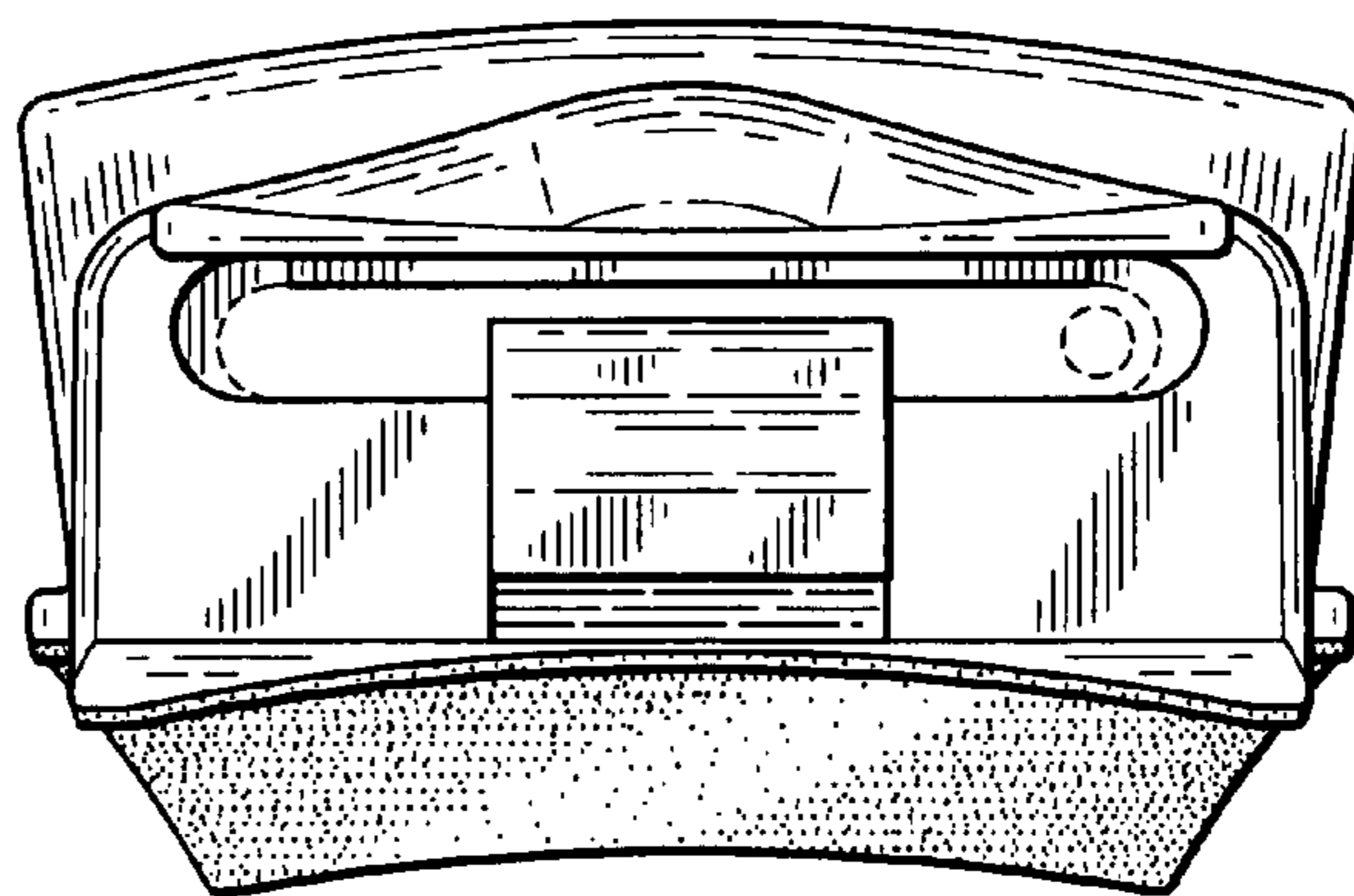


FIG. 3

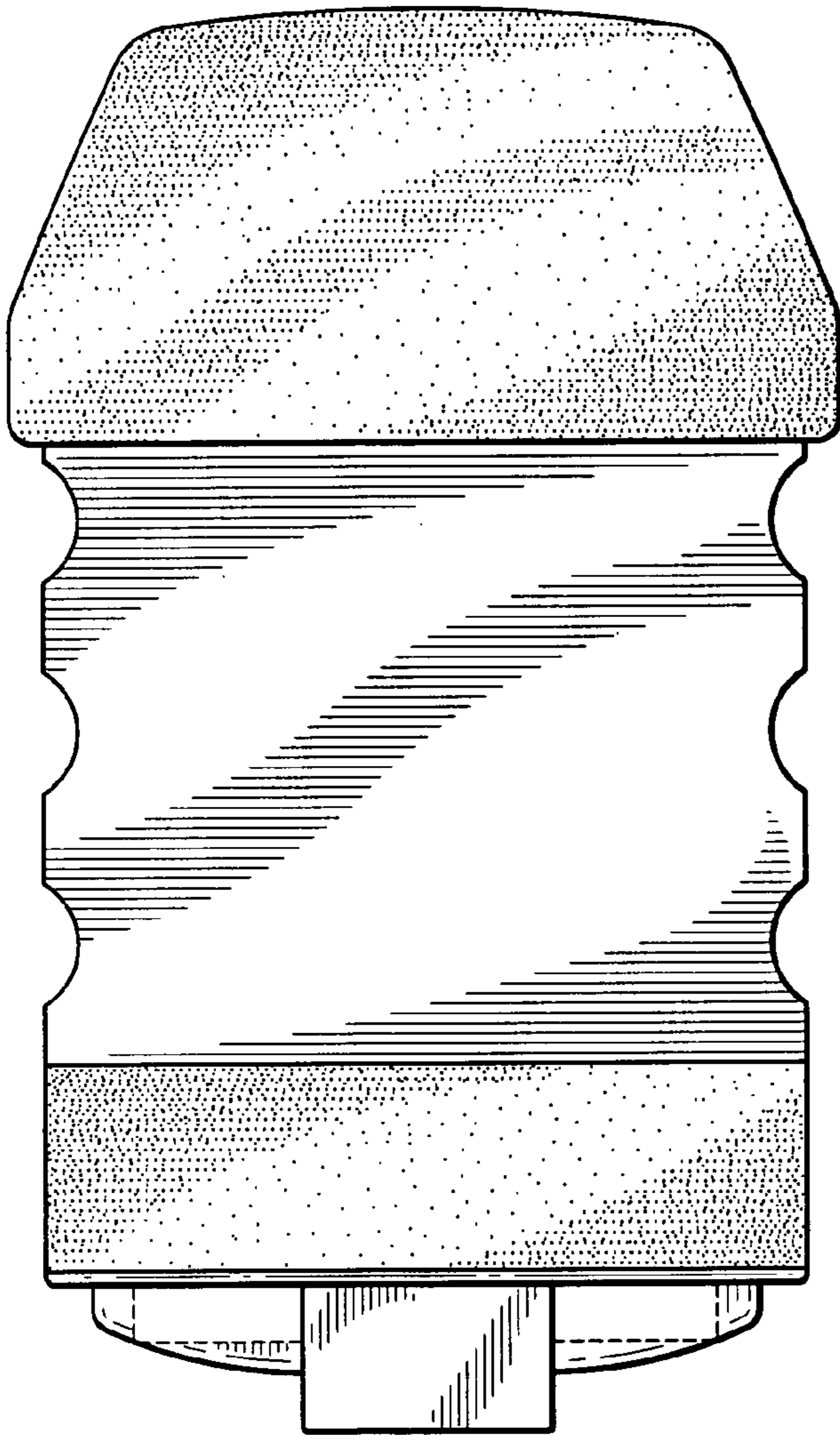


FIG. 4

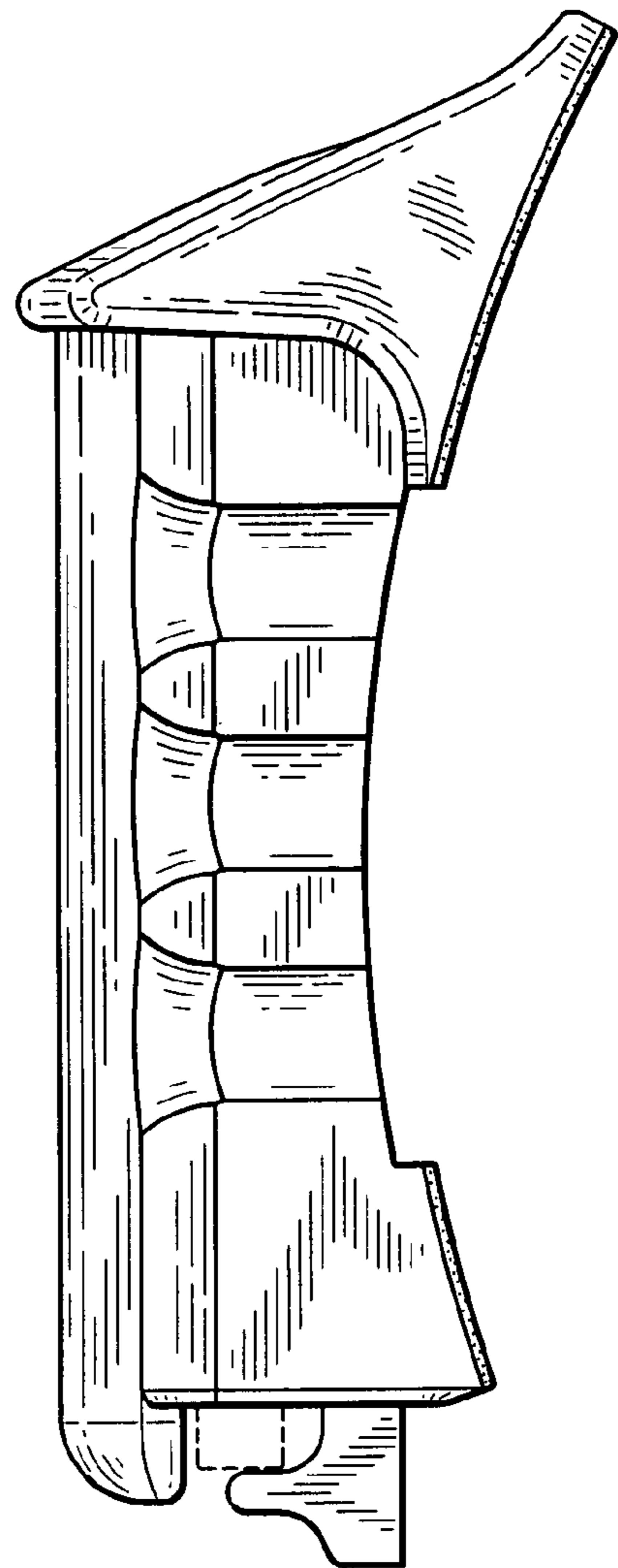


FIG. 5

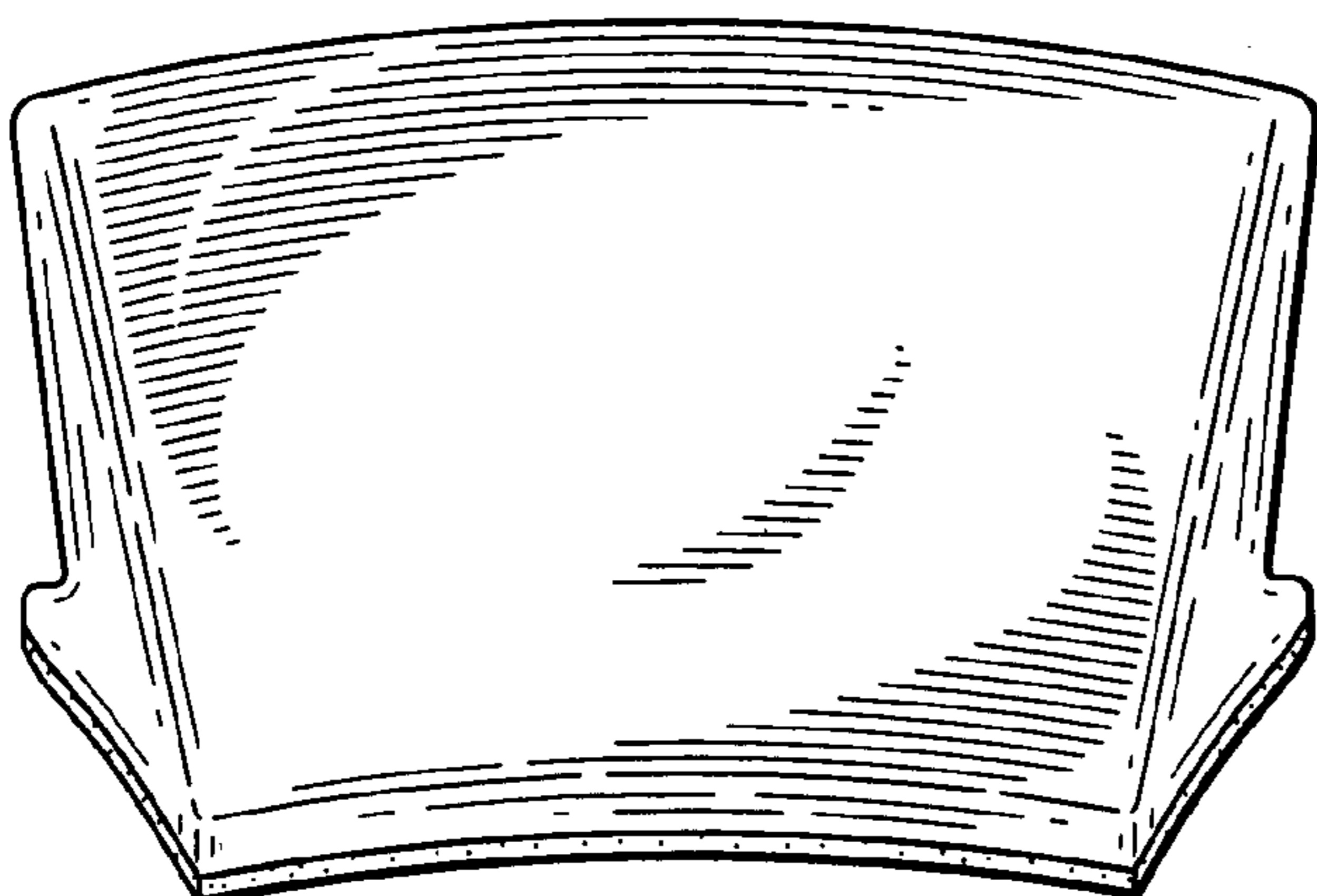


FIG. 6

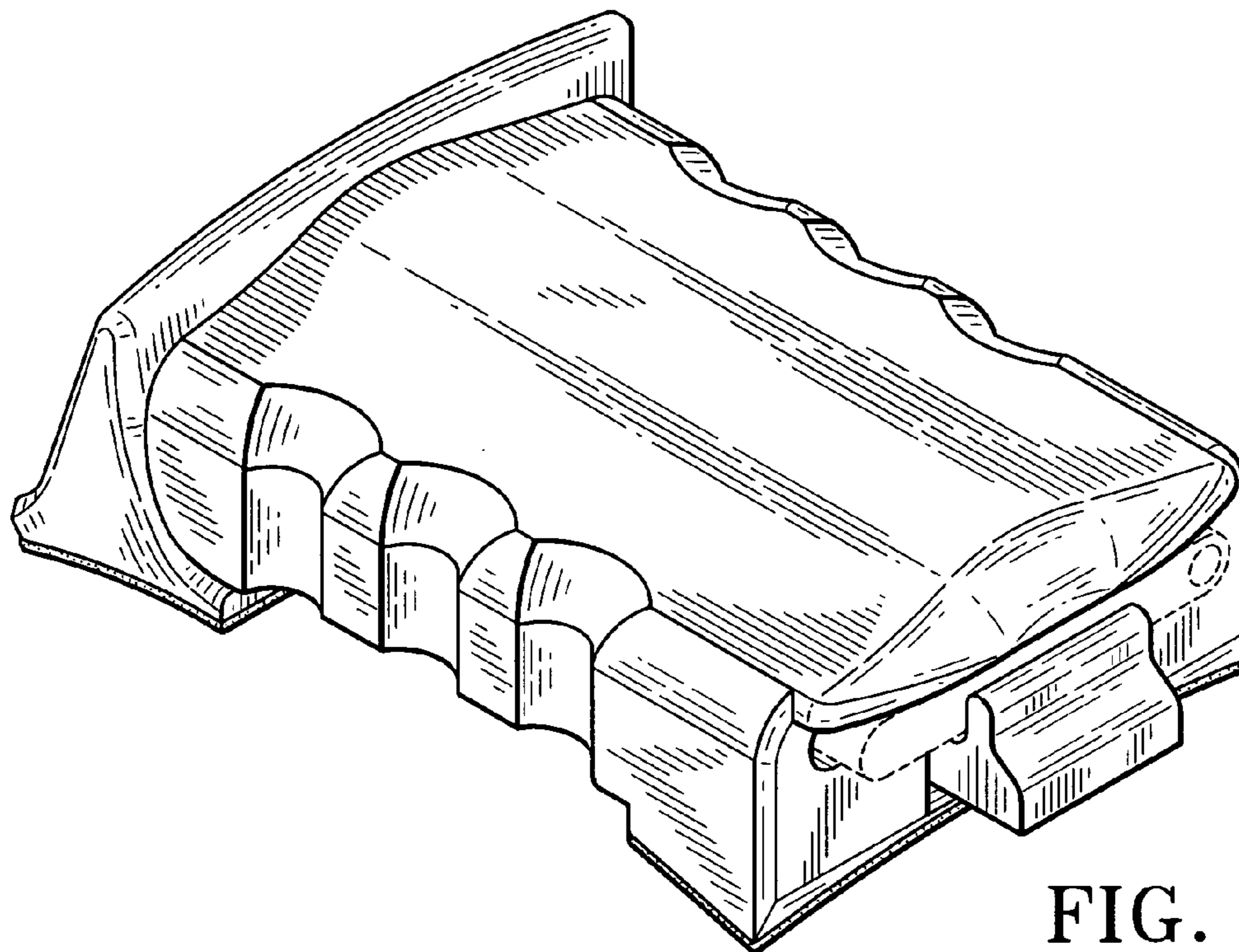


FIG. 7

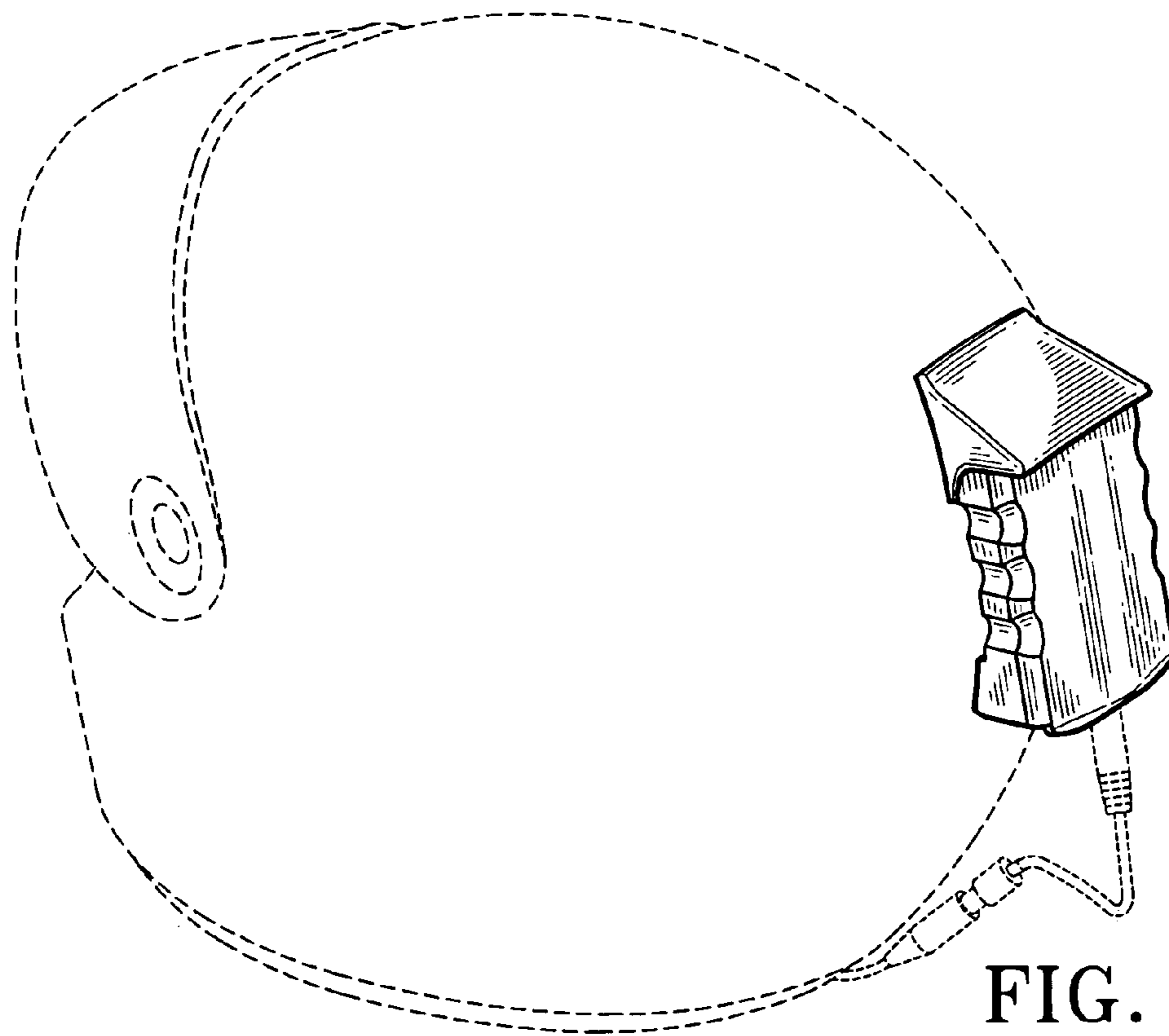


FIG. 8

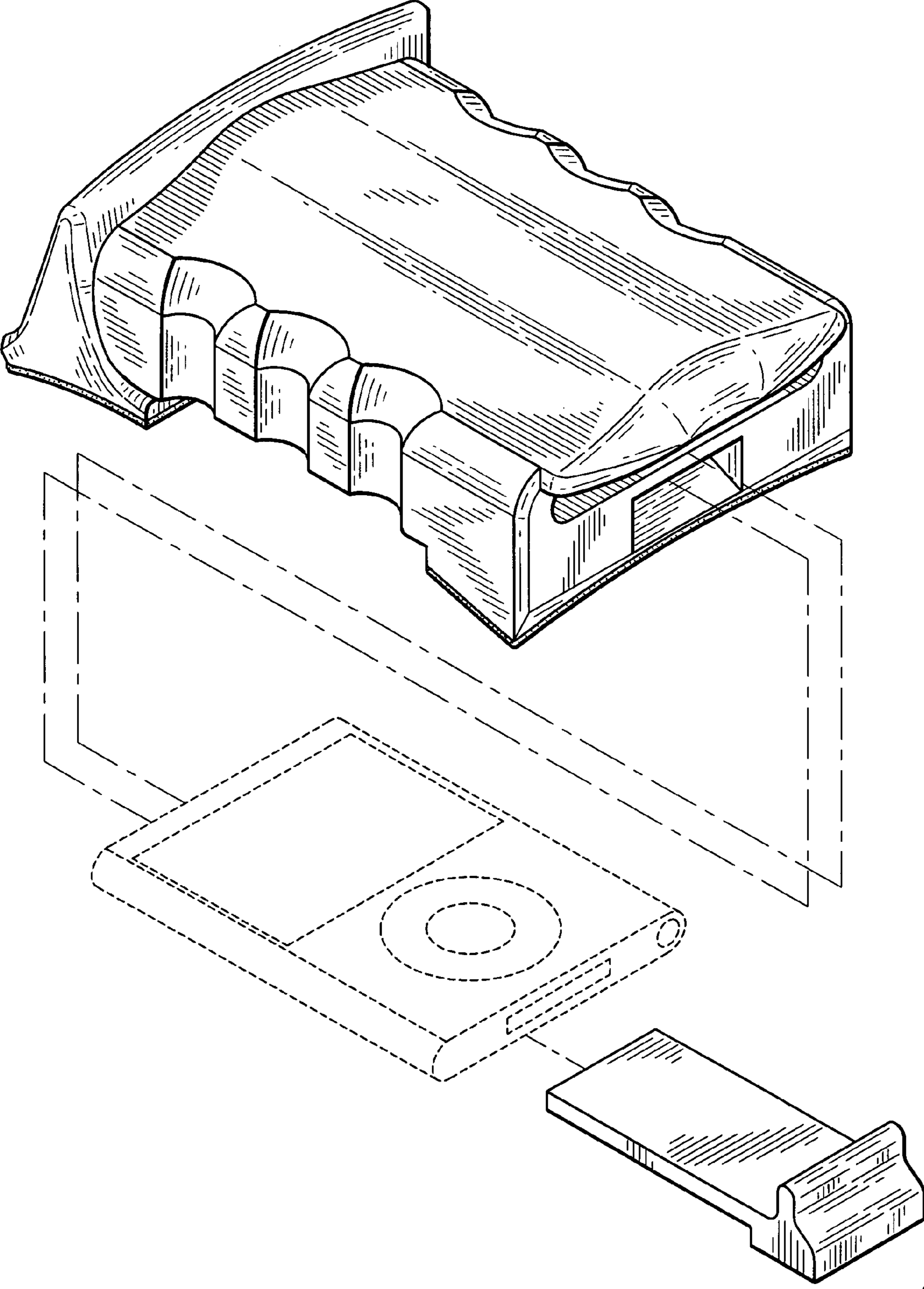


FIG. 9