

US00D575768S

(12) **United States Design Patent**
Wang

(10) **Patent No.:** **US D575,768 S**

(45) **Date of Patent:** **** Aug. 26, 2008**

(54) **COMMUNICATIONS HEADSET**

(75) Inventor: **Bowman Wang**, Ben Lomond, CA (US)

(73) Assignee: **Plantronics, Inc.**, Santa Cruz, CA (US)

(**) Term: **14 Years**

(21) Appl. No.: **29/291,028**

(22) Filed: **Aug. 10, 2007**

(51) **LOC (8) Cl.** **14-01**

(52) **U.S. Cl.** **D14/206**; D14/223

(58) **Field of Classification Search** D14/205,
D14/206, 223, 192, 188; 181/129-130; 379/430,
379/431, 420.01, 420.02, 420.03, 420.04;
381/380, 381, 382, 374, 376, 375, 385, 151,
381/312, 327, 328, 173, 330, 324, 370; 128/866;
D24/174; 455/344

See application file for complete search history.

(56) **References Cited**

U.S. PATENT DOCUMENTS

3,781,492	A *	12/1973	Cragg et al.	379/430
D233,444	S *	10/1974	Christian et al.	D14/206
5,581,622	A *	12/1996	Sakurai	381/370
5,692,059	A *	11/1997	Kruger	381/151
D476,645	S *	7/2003	Padala et al.	D14/223
D490,399	S *	5/2004	Kamo et al.	D14/206

D506,994	S *	7/2005	Olson et al.	D14/223
7,016,512	B1 *	3/2006	Feeley et al.	381/324
D542,782	S *	5/2007	Pena Angarita	D14/223
7,221,770	B2 *	5/2007	Fickweiler et al.	381/330
D554,627	S *	11/2007	Gondo	D14/223
D555,152	S *	11/2007	Wang	D14/223
D569,841	S *	5/2008	Chung et al.	D14/205

* cited by examiner

Primary Examiner—Paula Greene

(74) *Attorney, Agent, or Firm*—Michael D. Rodriguez

(57) **CLAIM**

The ornamental design for a communications headset, as shown and described.

DESCRIPTION

FIG. 1 is front-top-right perspective view of a communications headset showing our new design;

FIG. 2 is a front side view thereof;

FIG. 3 is a back side view thereof;

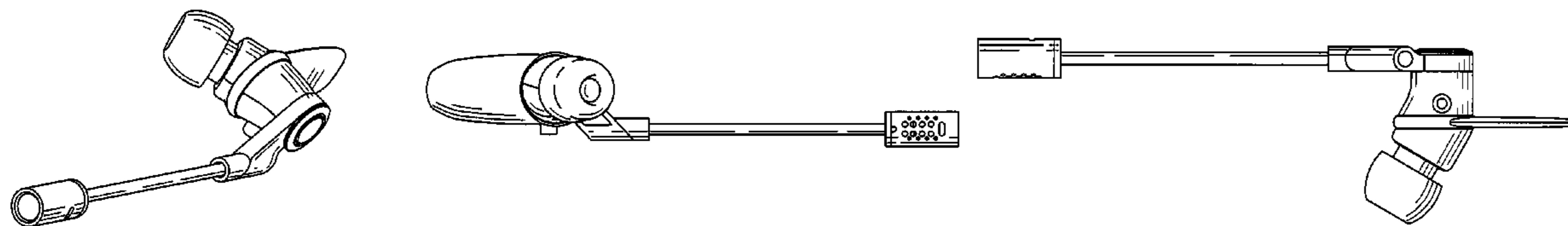
FIG. 4 is a right side view thereof;

FIG. 5 is a left side view thereof;

FIG. 6 is a top view thereof; and,

FIG. 7 is a bottom view thereof.

1 Claim, 3 Drawing Sheets



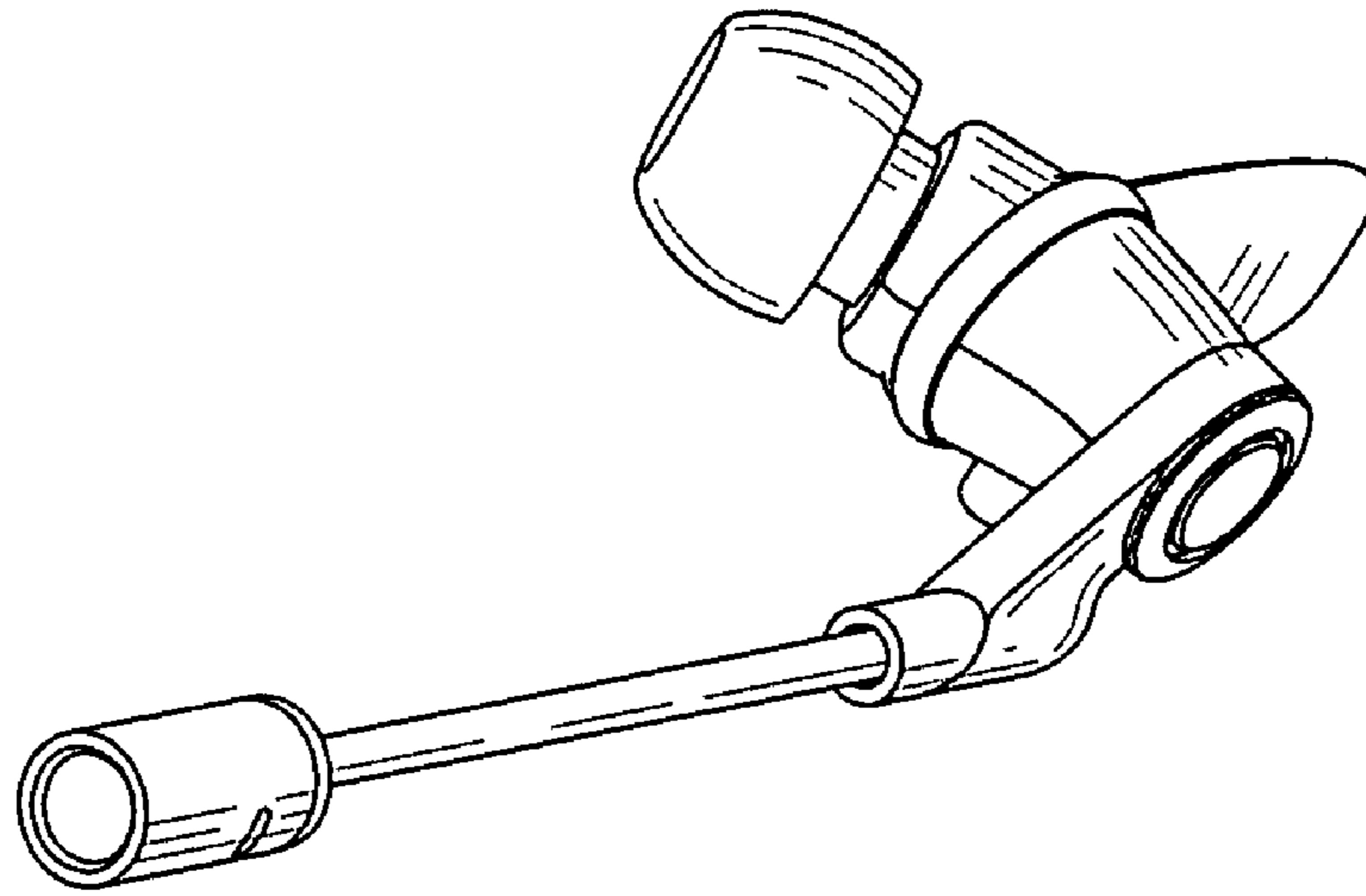


FIG. 1

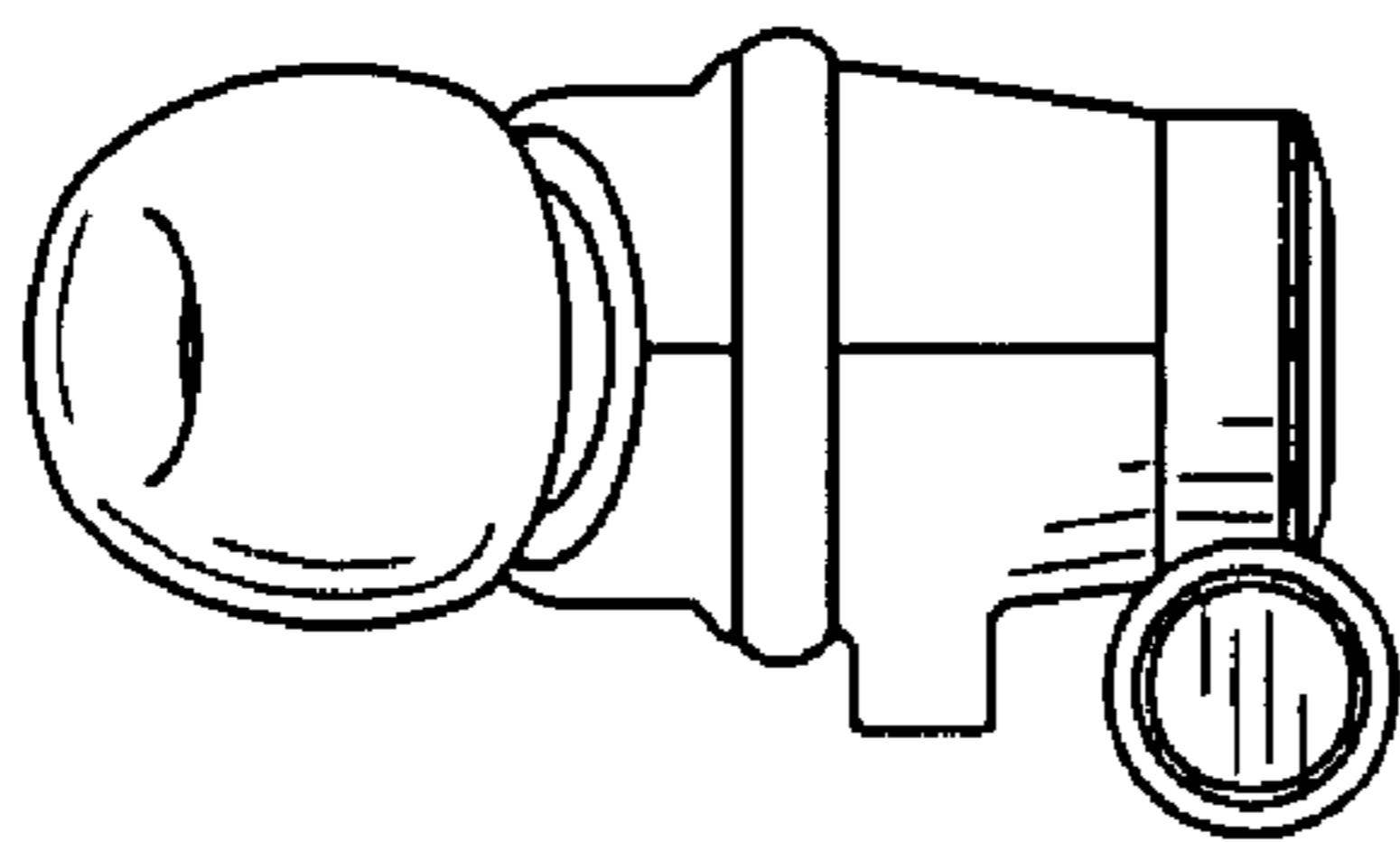


FIG. 2

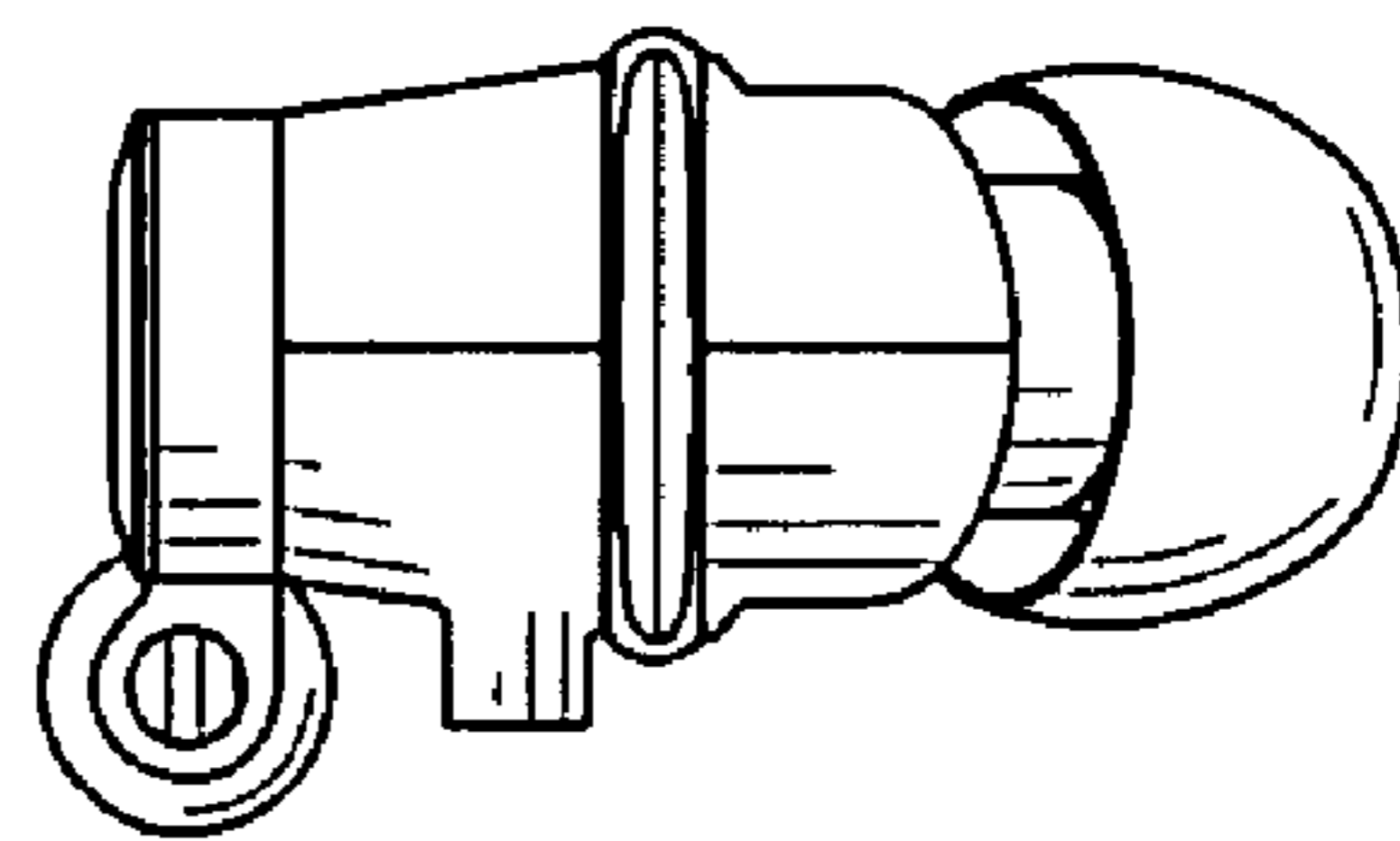


FIG. 3

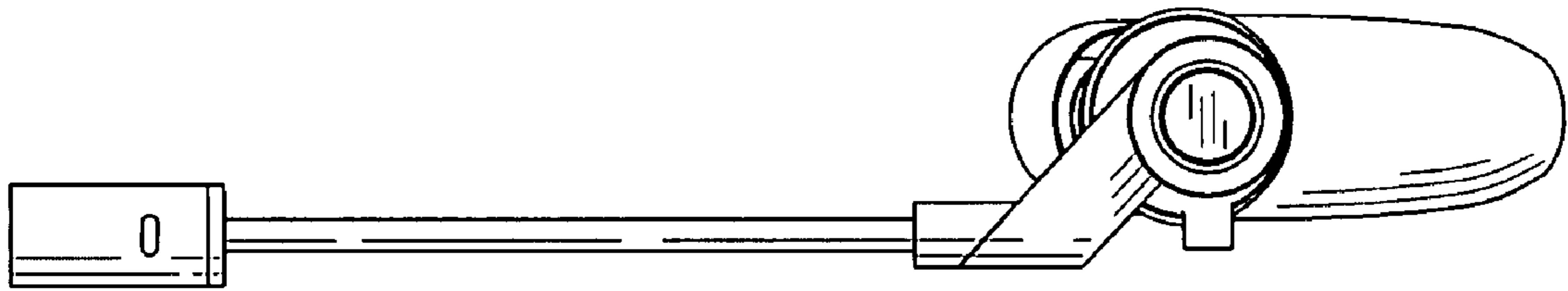


FIG. 4

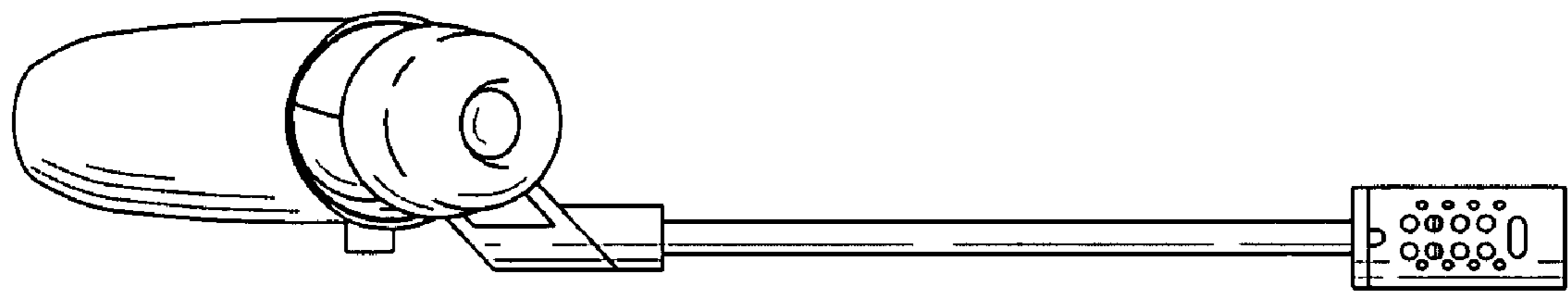


FIG. 5

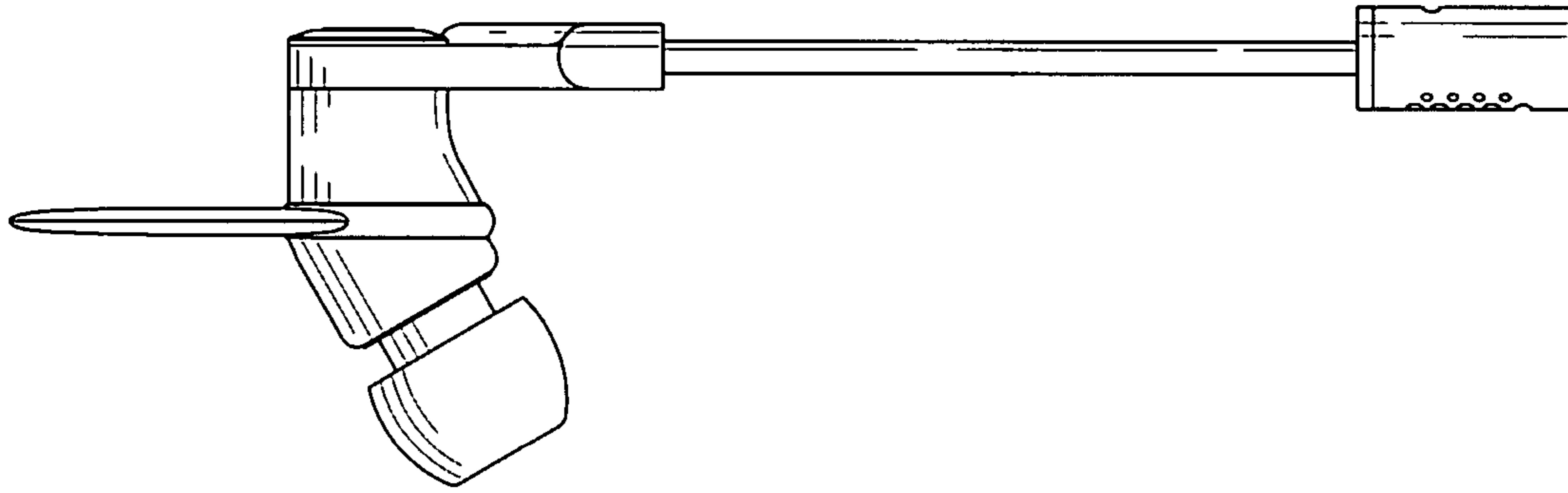


FIG. 6

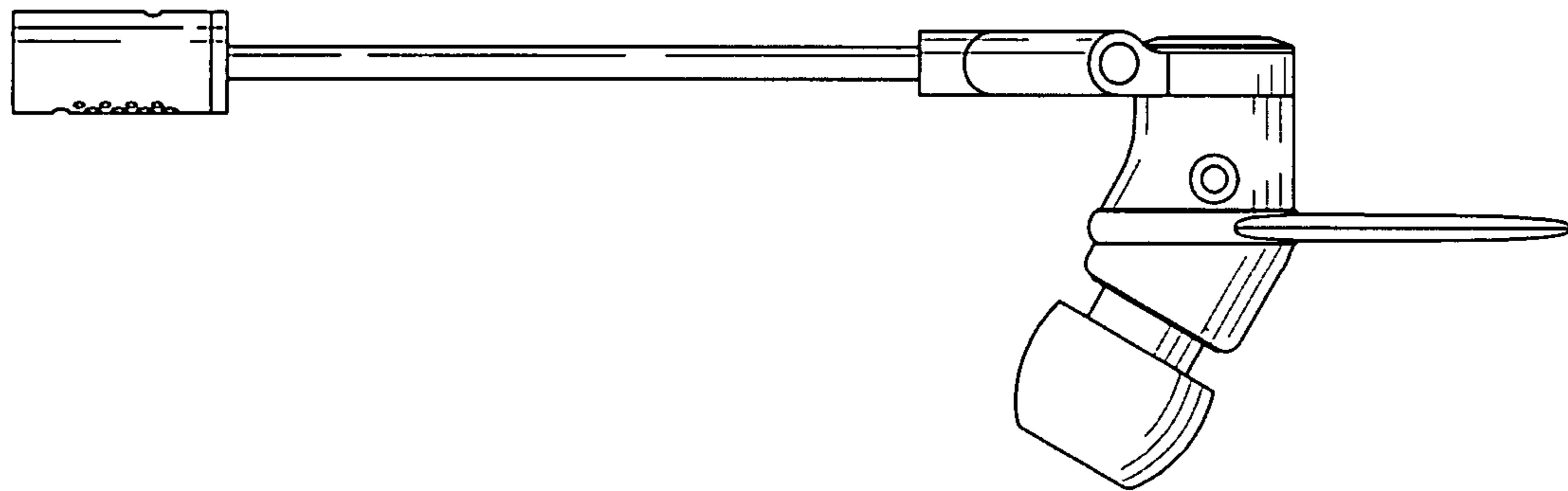


FIG. 7