



US00D575767S

(12) **United States Design Patent**
Lee

(10) **Patent No.:** **US D575,767 S**

(45) **Date of Patent:** **** Aug. 26, 2008**

(54) **PAIR OF EARPHONES**

(76) Inventor: **Ping-Yu Lee**, No. 8, Alley 1, Lane 20,
Daren Rd., Taoyuan (TW) 330

(**) Term: **14 Years**

(21) Appl. No.: **29/295,518**

(22) Filed: **Sep. 29, 2007**

(51) **LOC (8) Cl.** **14-01**

(52) **U.S. Cl.** **D14/205**

(58) **Field of Classification Search** D14/205,
D14/206, 223, 137, 138, 142, 147, 168, 188,
D14/192; 181/129–130, 135, 137; 381/328,
381/324, 323; 379/430, 431, 420.01, 420.02,
379/420.03, 420.04; 128/864, 866; D24/106,
D24/134, 174

See application file for complete search history.

(56) **References Cited**

U.S. PATENT DOCUMENTS

2,959,645	A *	11/1960	Ladd	381/323
3,097,059	A *	7/1963	Hoffman	264/155
D213,109	S *	1/1969	Young	D24/174
4,657,106	A *	4/1987	Hardt	381/324
D397,796	S *	9/1998	Yabe et al.	D24/174
D470,121	S *	2/2003	Nguyen et al.	D14/205
D519,103	S *	4/2006	Sabick et al.	D14/205
D532,770	S *	11/2006	Engstrom et al.	D14/205
D557,253	S *	12/2007	Engstrom et al.	D14/205
D557,254	S *	12/2007	Engstrom et al.	D14/205
D557,689	S *	12/2007	Huang	D14/223

D563,394 S * 3/2008 Donaldson et al. D14/223
D563,945 S * 3/2008 Johns et al. D14/205

* cited by examiner

Primary Examiner—Paula A Greene

(74) *Attorney, Agent, or Firm*—WPAT, P.C.; Anthony King

(57) **CLAIM**

The ornamental design for a pair of earphones, as shown and described.

DESCRIPTION

FIG. 1 is an isometric view of the pair of earphones design having mirror image right and left earphone earpieces;

FIG. 2 is a front view of the left earphone shown separately for purposes of illustration, the right earphone is a mirror image of the left earphone thereof;

FIG. 3 is a rear view of the left earphone, the right earphone is a mirror image of the left earphone thereof;

FIG. 4 is a left side view of the left earphone, the right earphone is a mirror image of the left earphone thereof;

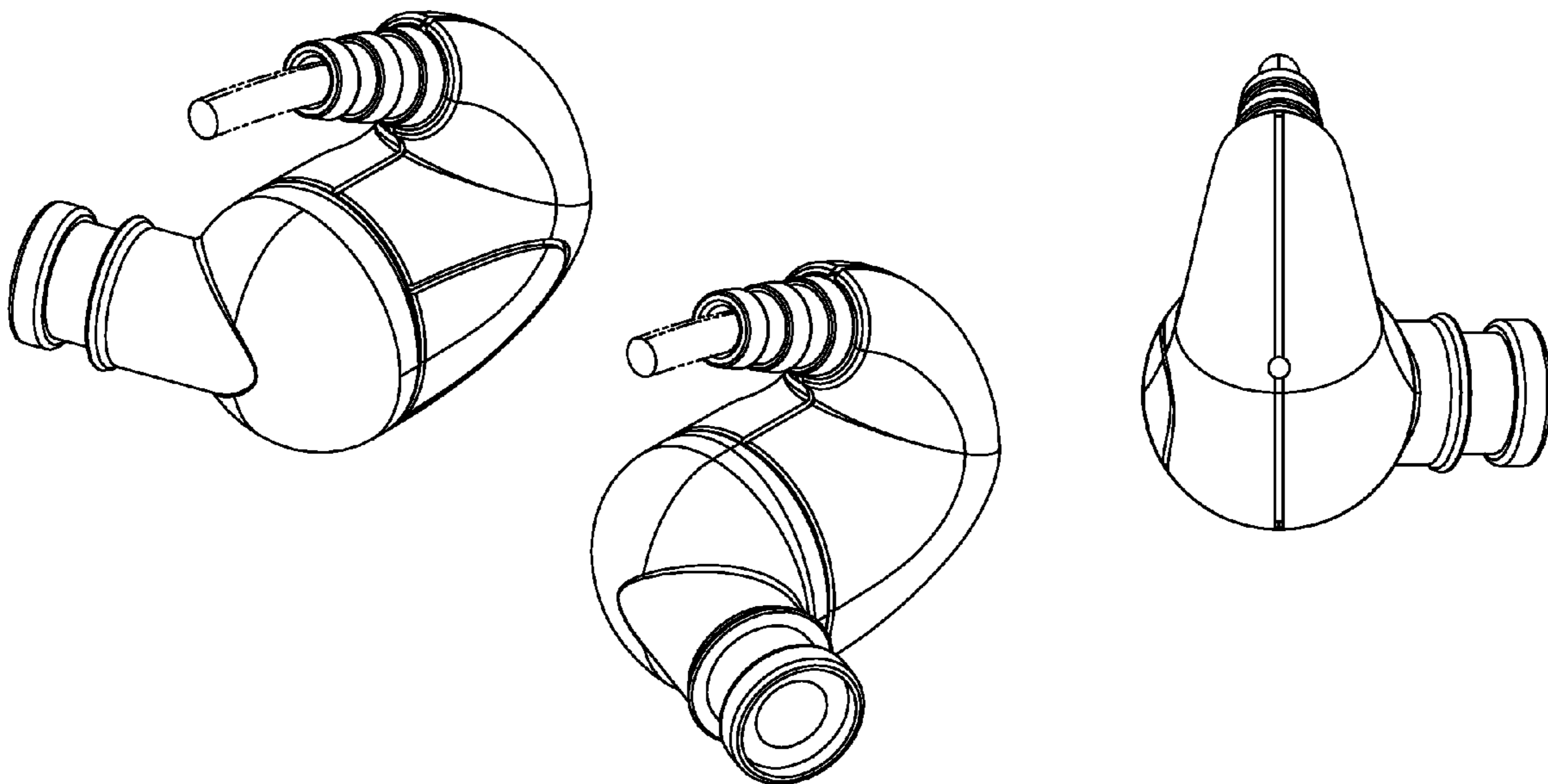
FIG. 5 is a right side view of the left earphone, the right earphone is a mirror image of the left earphone thereof;

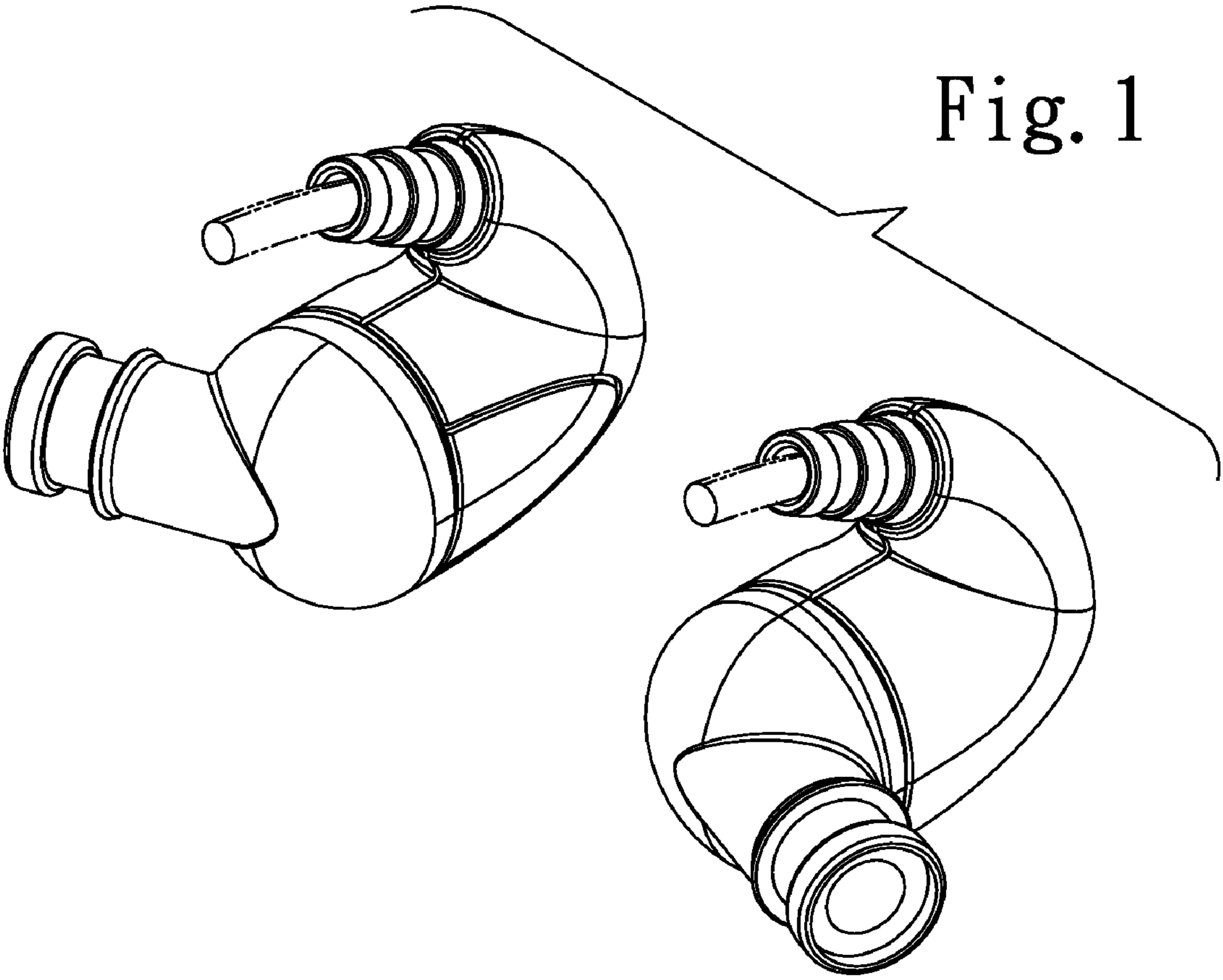
FIG. 6 is a top view of the left earphone, the right earphone is a mirror image of the left earphone thereof; and,

FIG. 7 is a bottom view of the left earphone, the right earphone is a mirror image of the left earphone thereof.

The broken lines of FIGS. 1 through 7 are for illustrative purposes only and form no part of the claimed design.

1 Claim, 4 Drawing Sheets





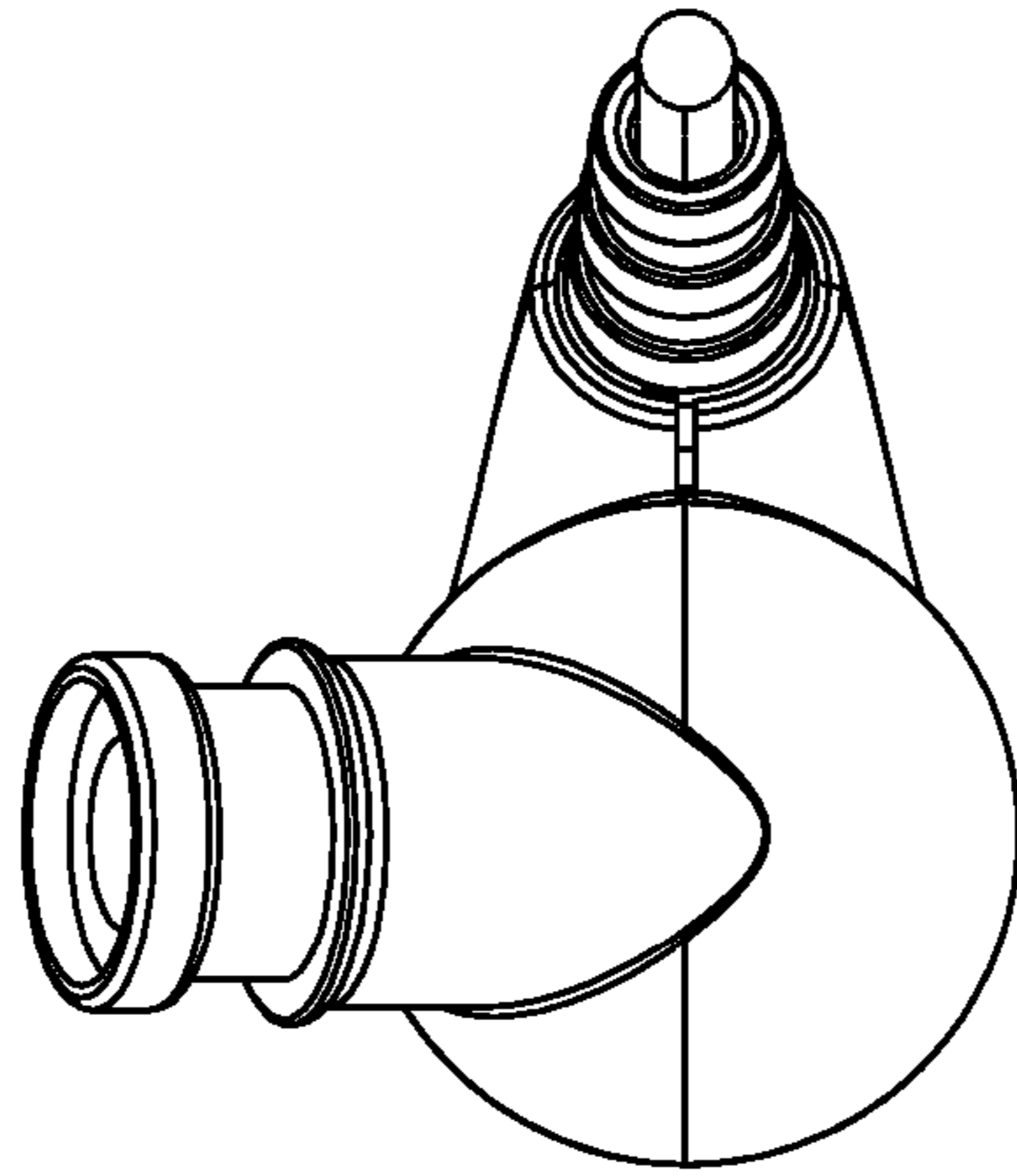


Fig. 2

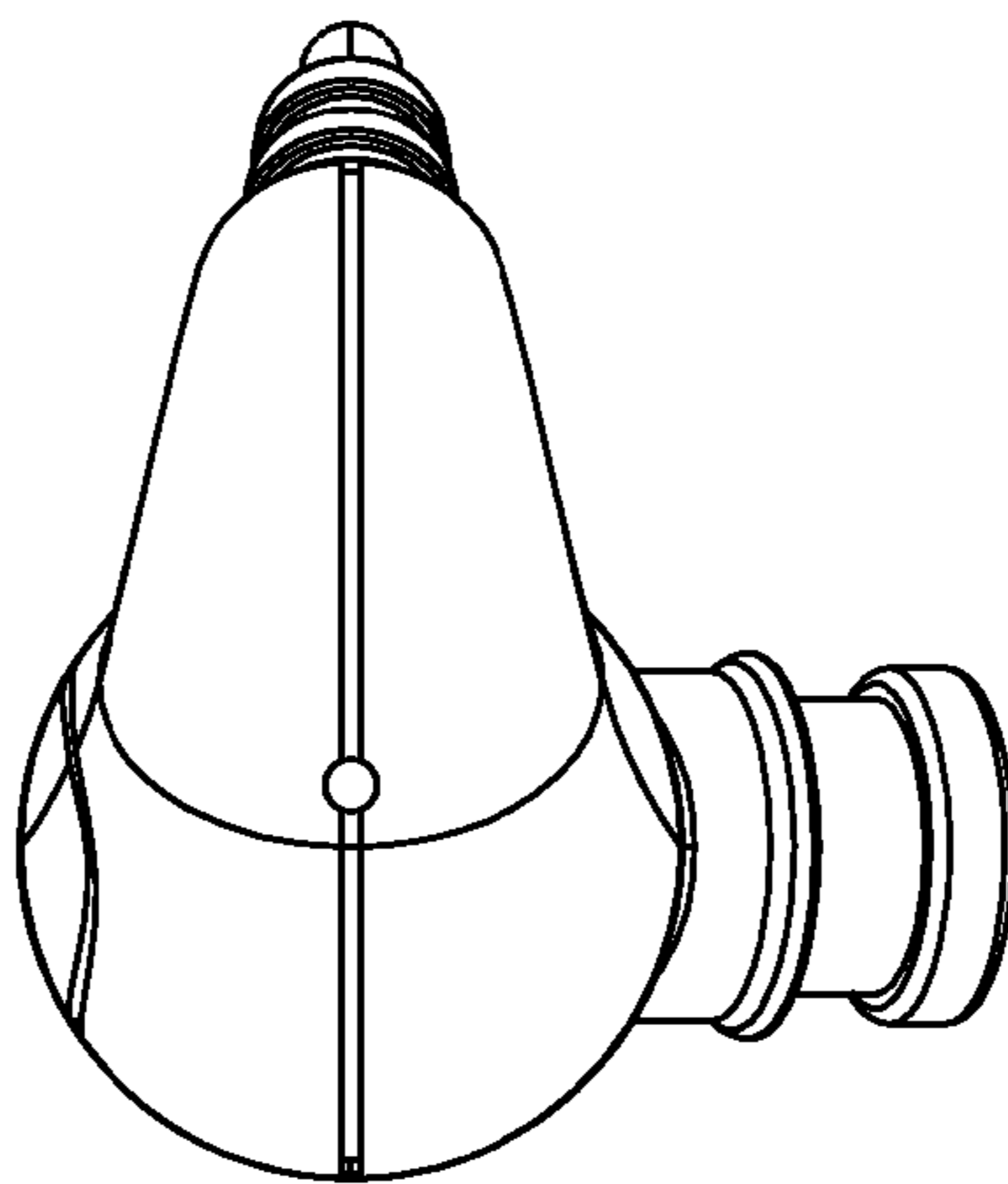


Fig. 3

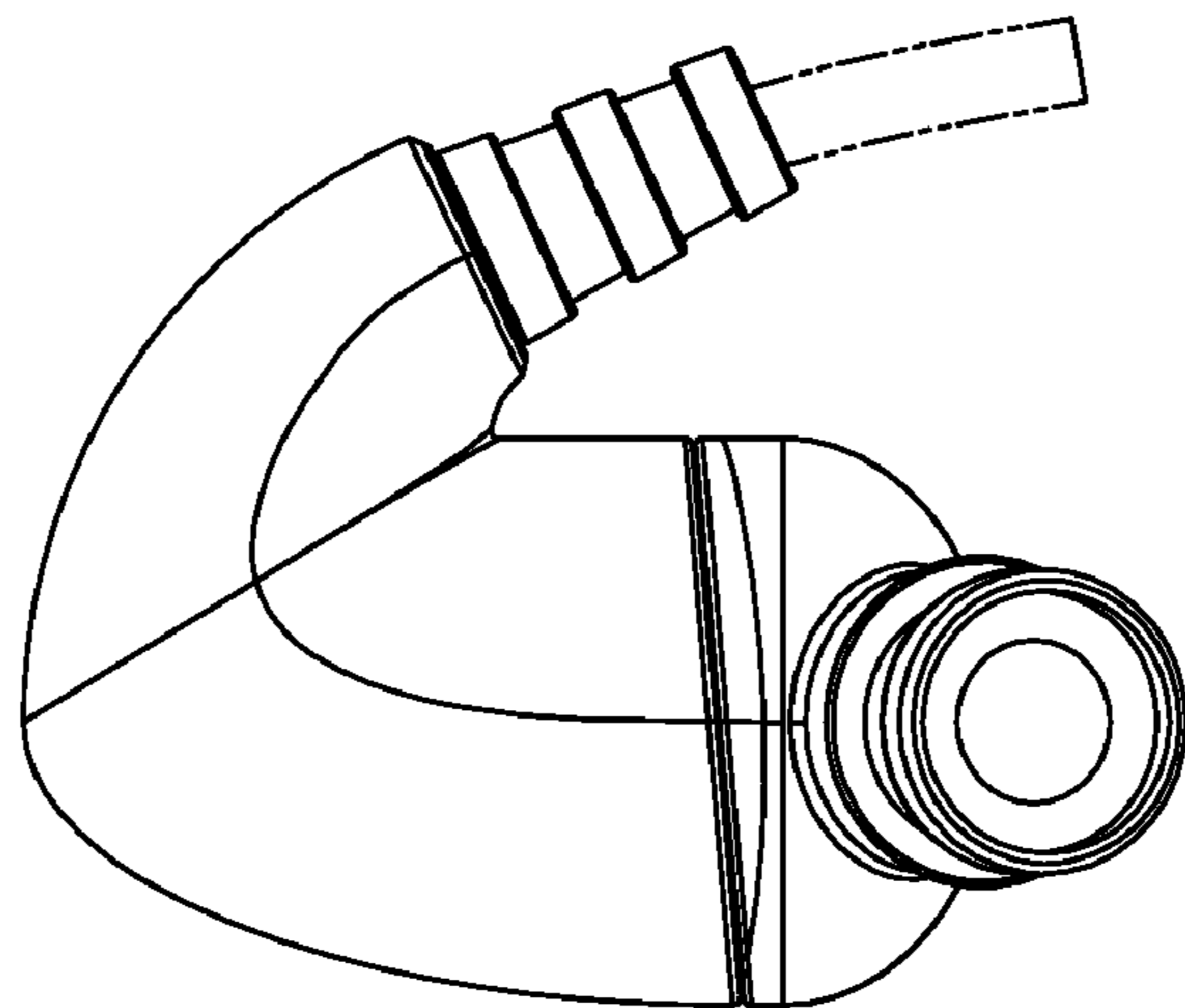


Fig. 4

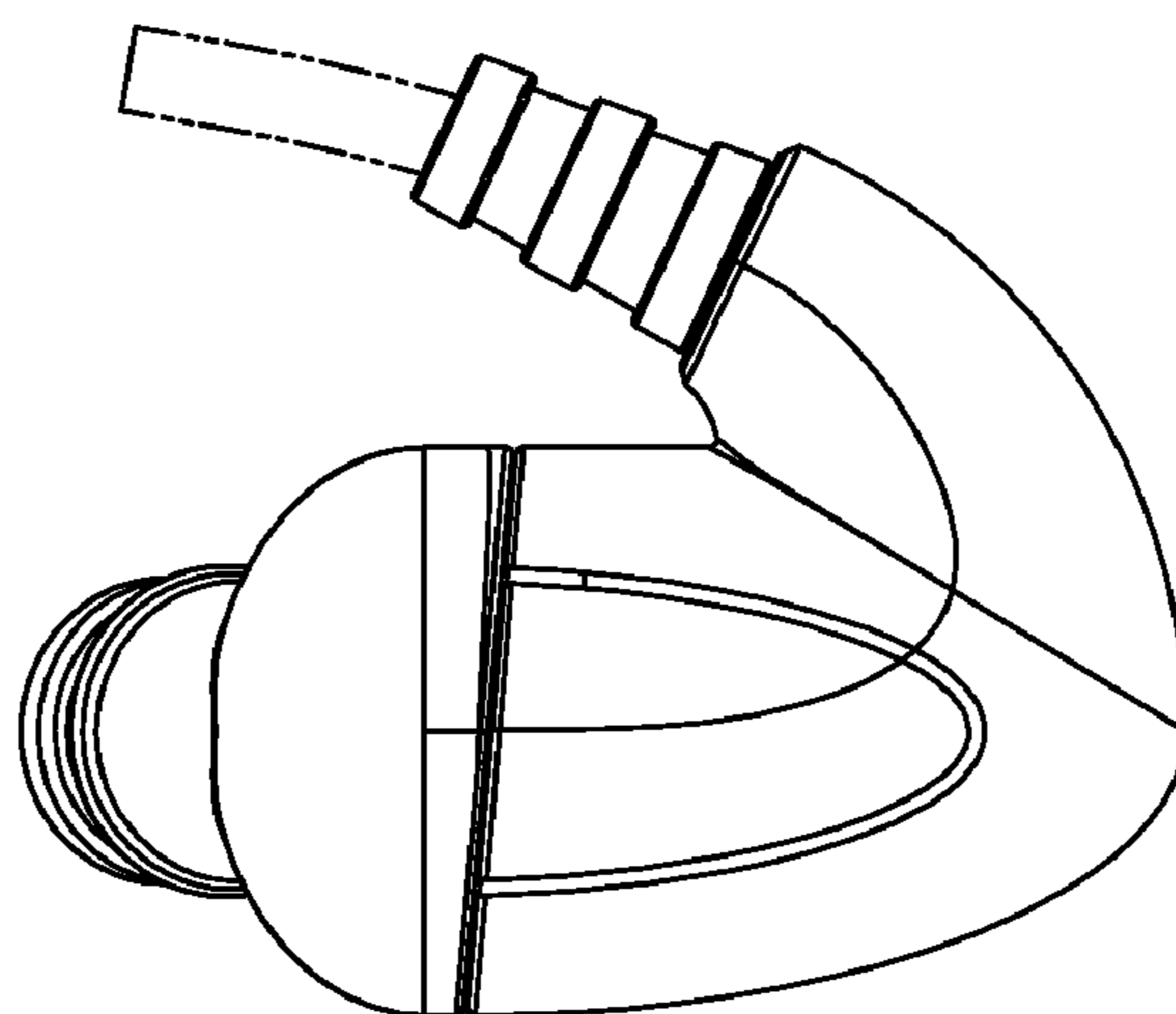


Fig. 5

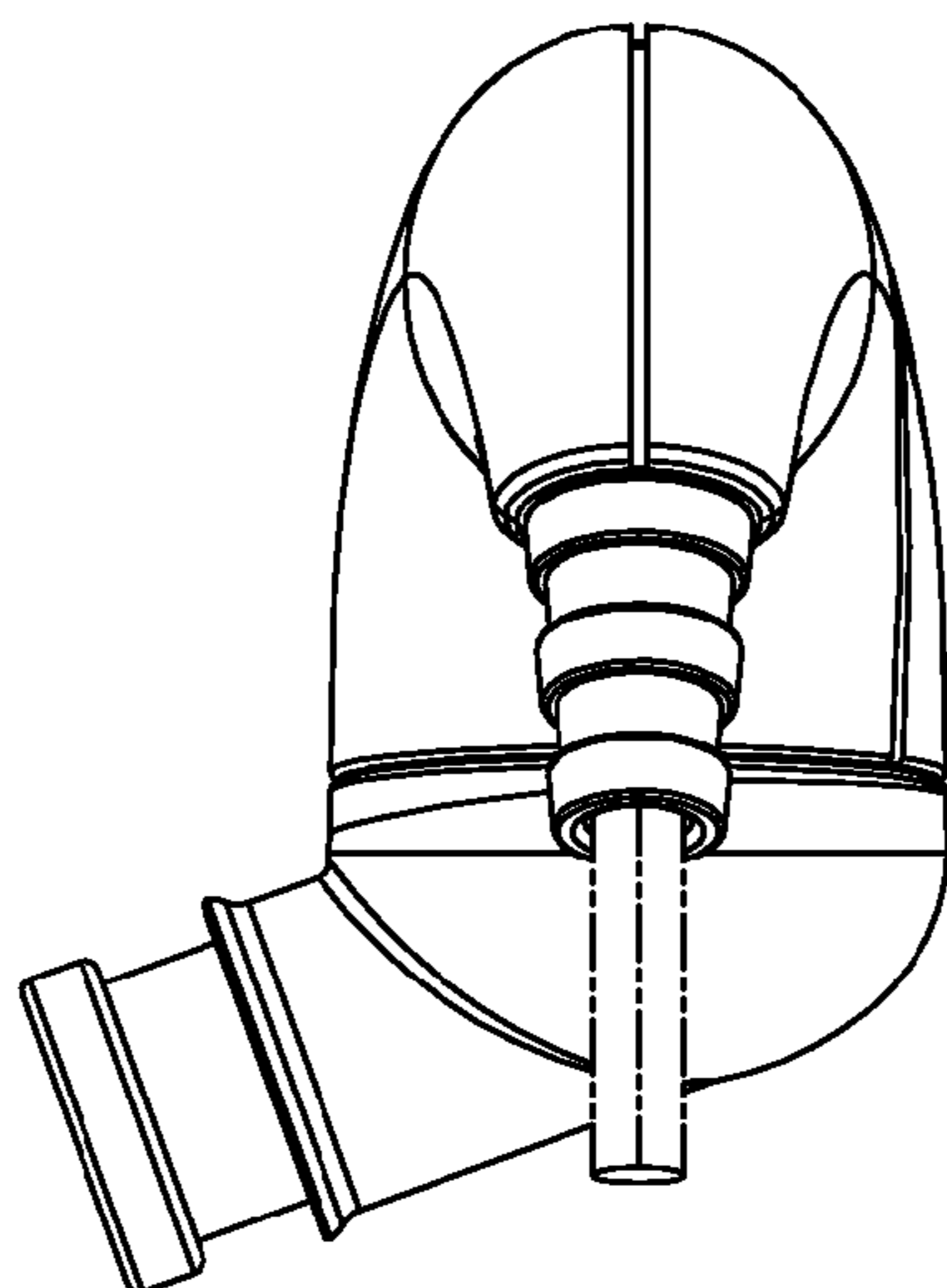


Fig. 6

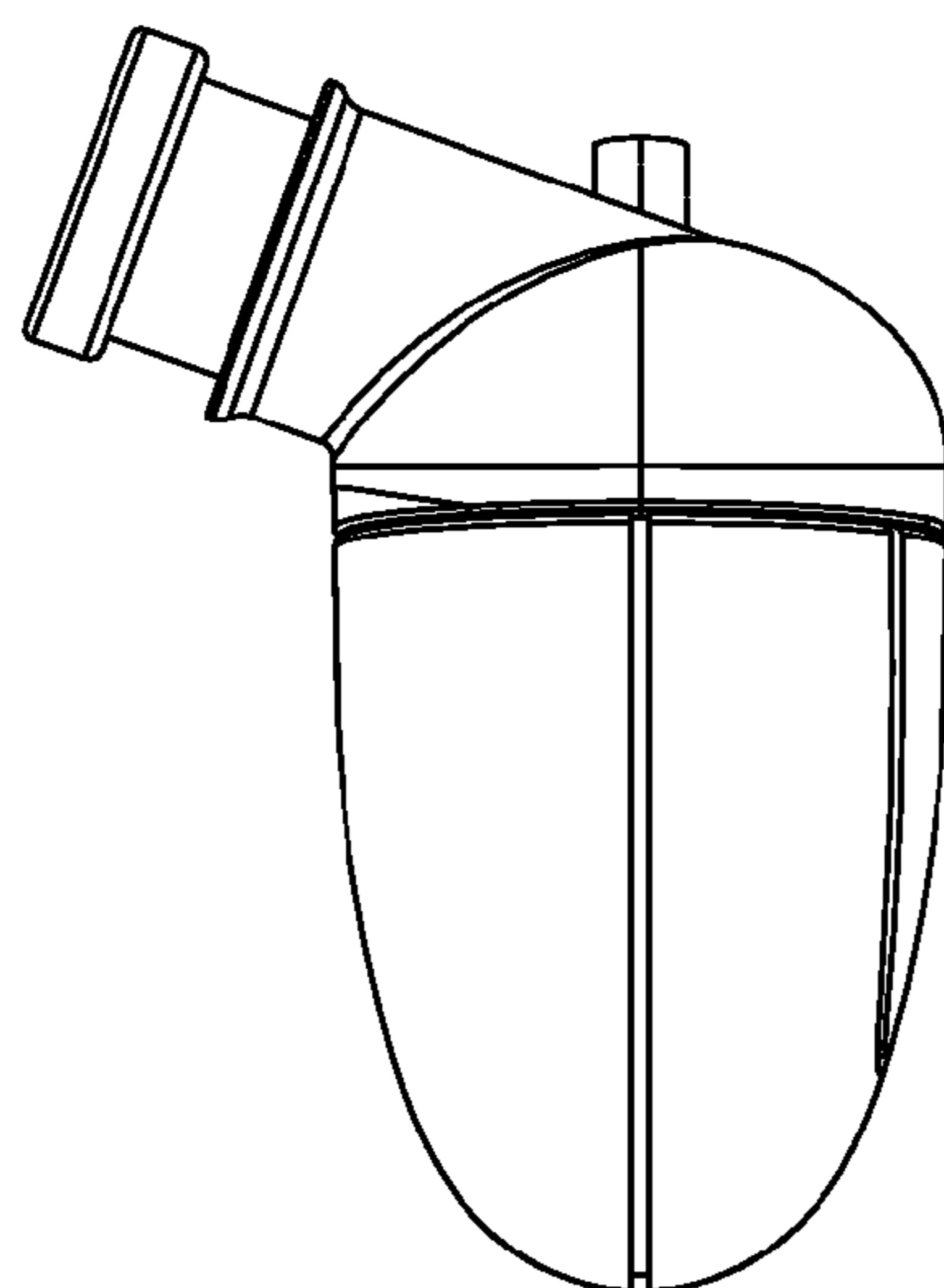


Fig. 7