



US00D575765S

(12) **United States Design Patent**
Cheung

(10) **Patent No.:** **US D575,765 S**

(45) **Date of Patent:** **** Aug. 26, 2008**

(54) **PORTABLE CD RADIO**

D500,021 S * 12/2004 Hu D14/168
D512,978 S * 12/2005 Ueda et al. D14/168

(76) Inventor: **Wallace Cheung**, Kenwin Industrial HK Ltd., Rm 1512, 15/F, Shatin Galleria, 18-24 Shan Mei St., Fotan, N.T. Hong Kong (HK)

* cited by examiner

Primary Examiner—Nanda Bondade
(74) *Attorney, Agent, or Firm*—Eric Hanscom; Todd Langford

(**) Term: **14 Years**

(21) Appl. No.: **29/265,177**

(57) **CLAIM**

(22) Filed: **Aug. 28, 2006**

The ornamental design for a portable CD radio, as shown.

(51) **LOC (8) Cl.** **14-01**

(52) **U.S. Cl.** **D14/168**

(58) **Field of Classification Search** D14/135-136, D14/156, 167-168, 198, 496, 445; 360/99.02, 360/99.07; 369/75.11, 75.21, 77.21, 77.11; 720/612, 619, 647, 655; 455/344, 347-351
See application file for complete search history.

DESCRIPTION

FIG. 1 is a front elevational view of a portable CD radio showing my new design;

FIG. 2 is a front view thereof;

FIG. 3 is a bottom view thereof;

FIG. 4 is a right side view thereof;

FIG. 5 is a left side view thereof;

FIG. 6 is a back view thereof; and,

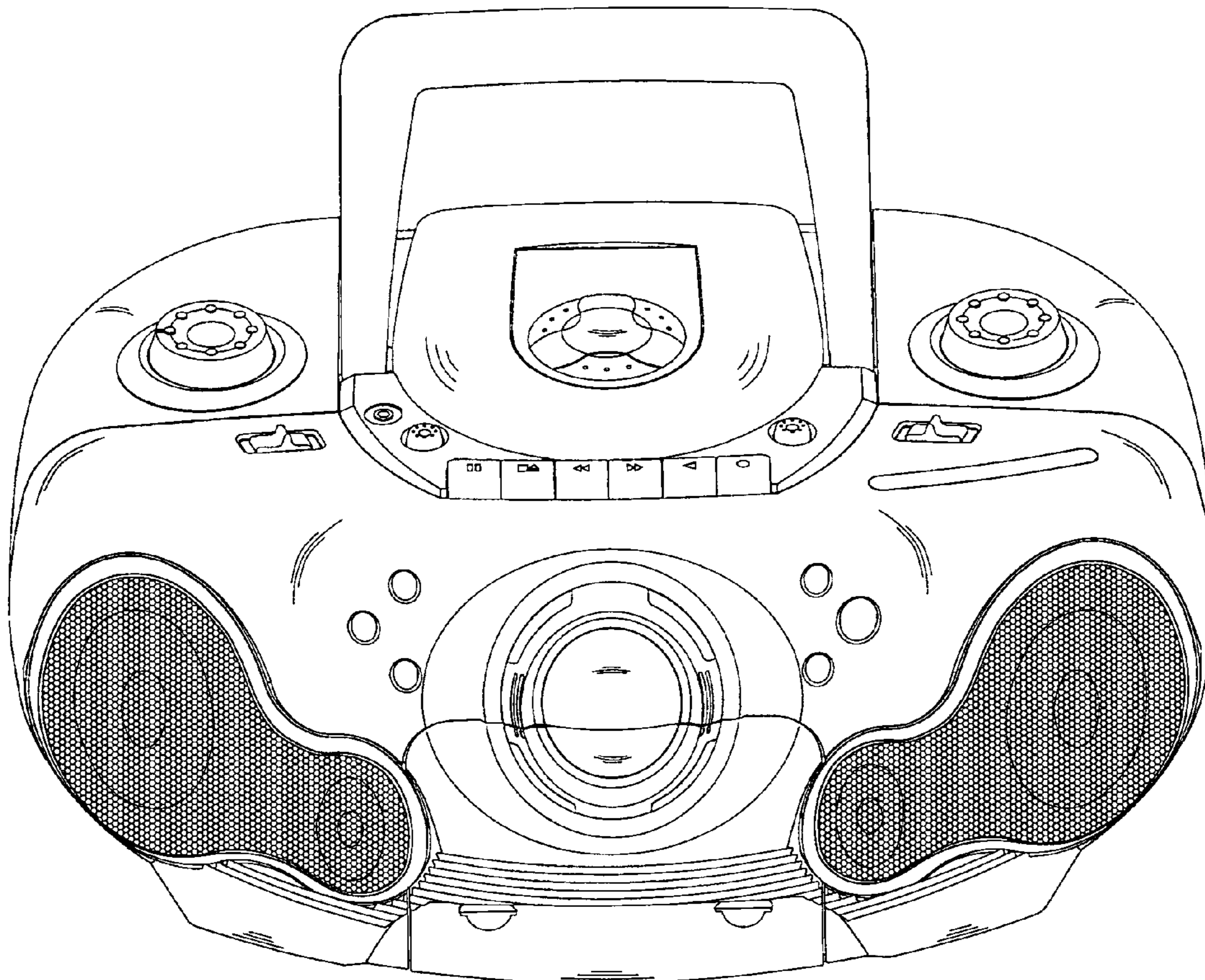
FIG. 7 is a top view thereof.

(56) **References Cited**

U.S. PATENT DOCUMENTS

D442,160 S * 5/2001 Tsuchiya D14/168
D469,077 S * 1/2003 Jerome D14/168

1 Claim, 7 Drawing Sheets



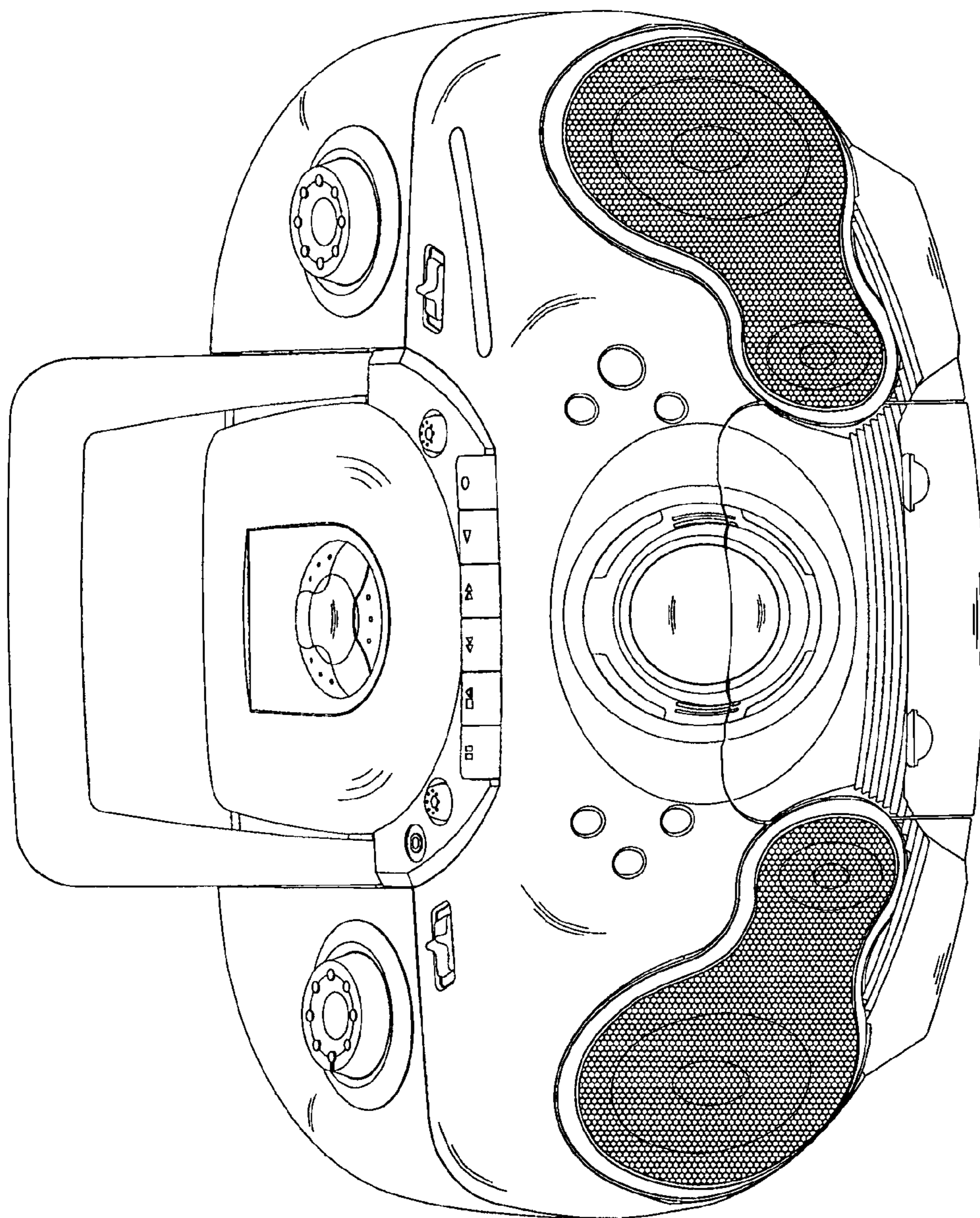


Fig. 1

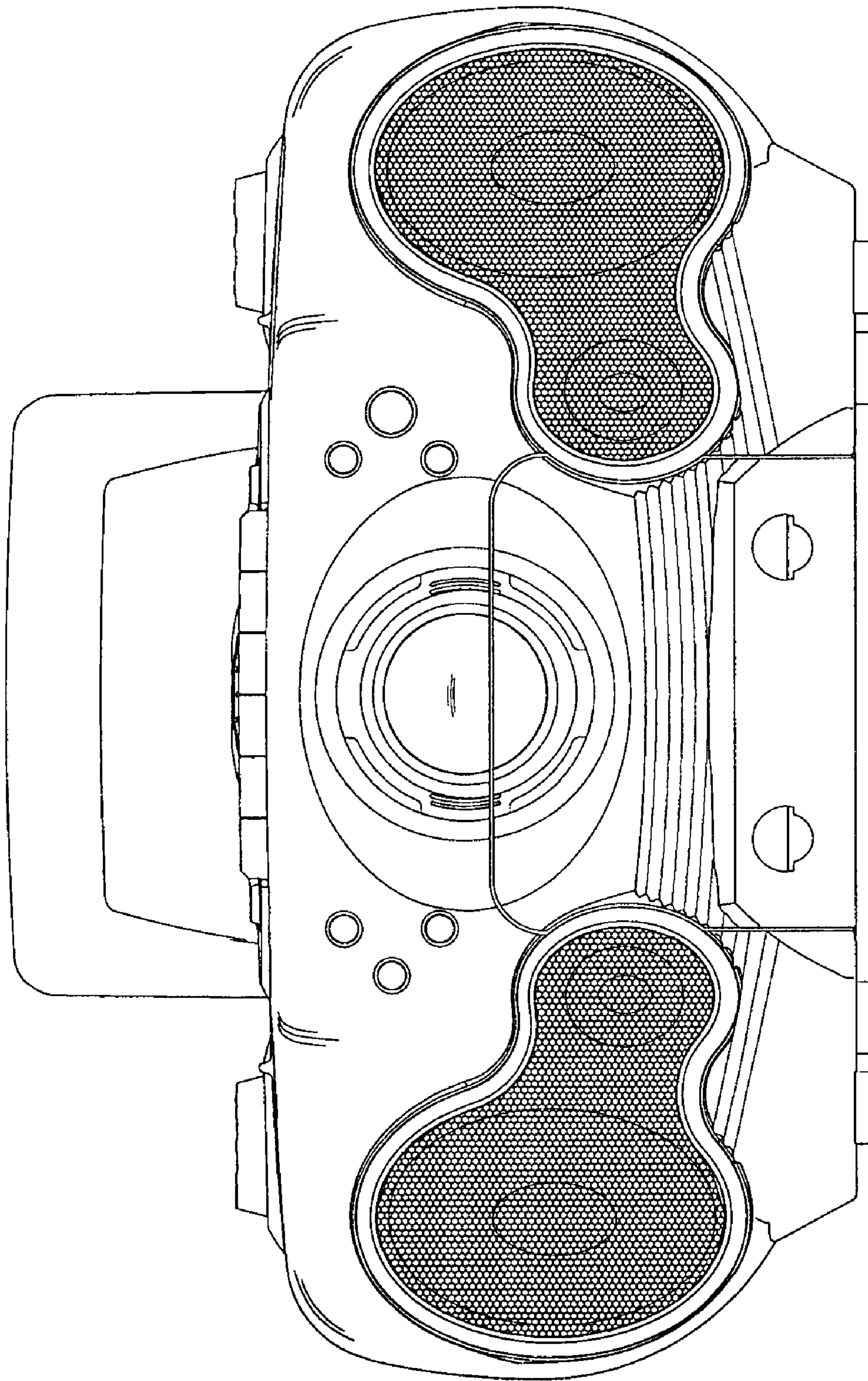


Fig. 2

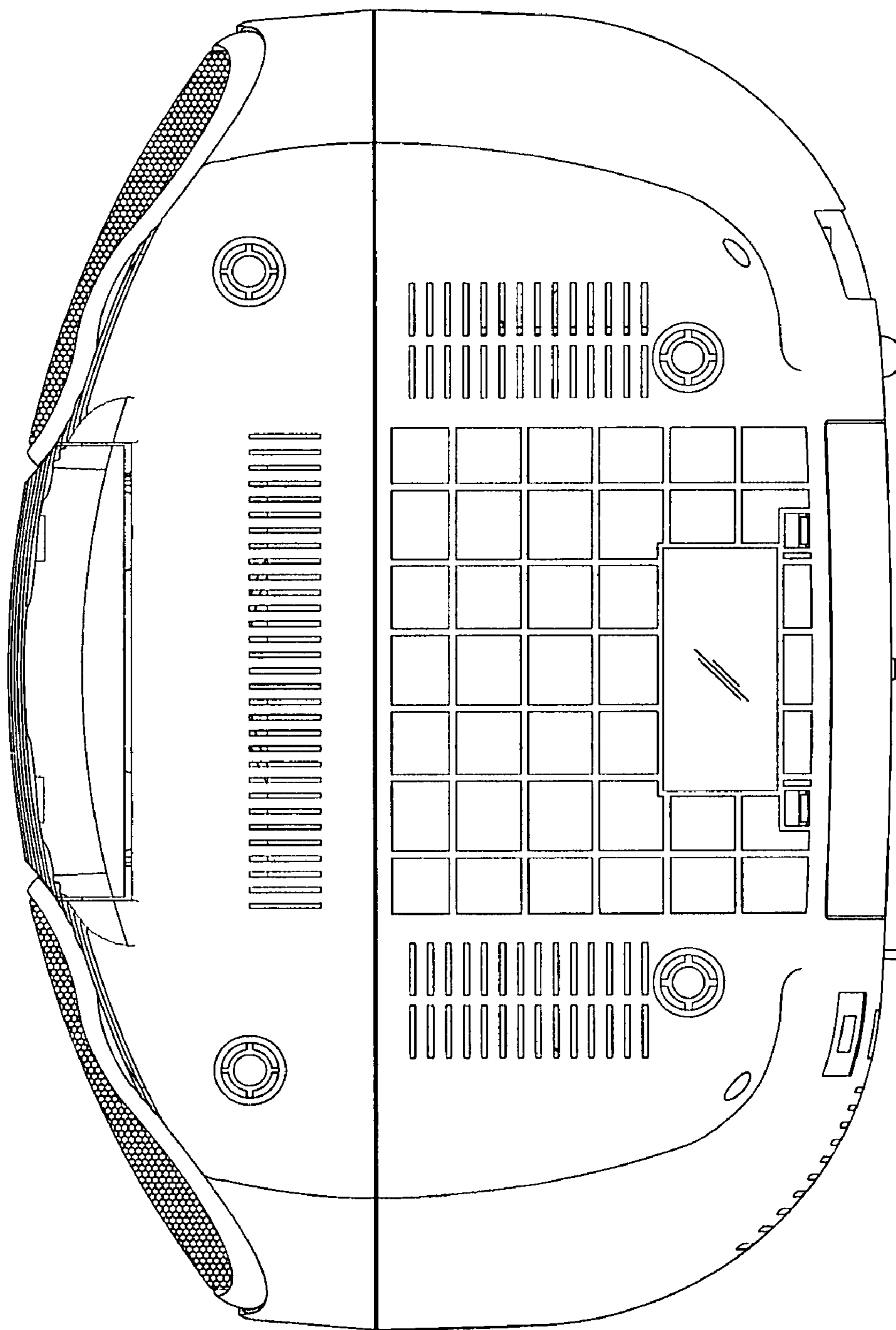


Fig. 3

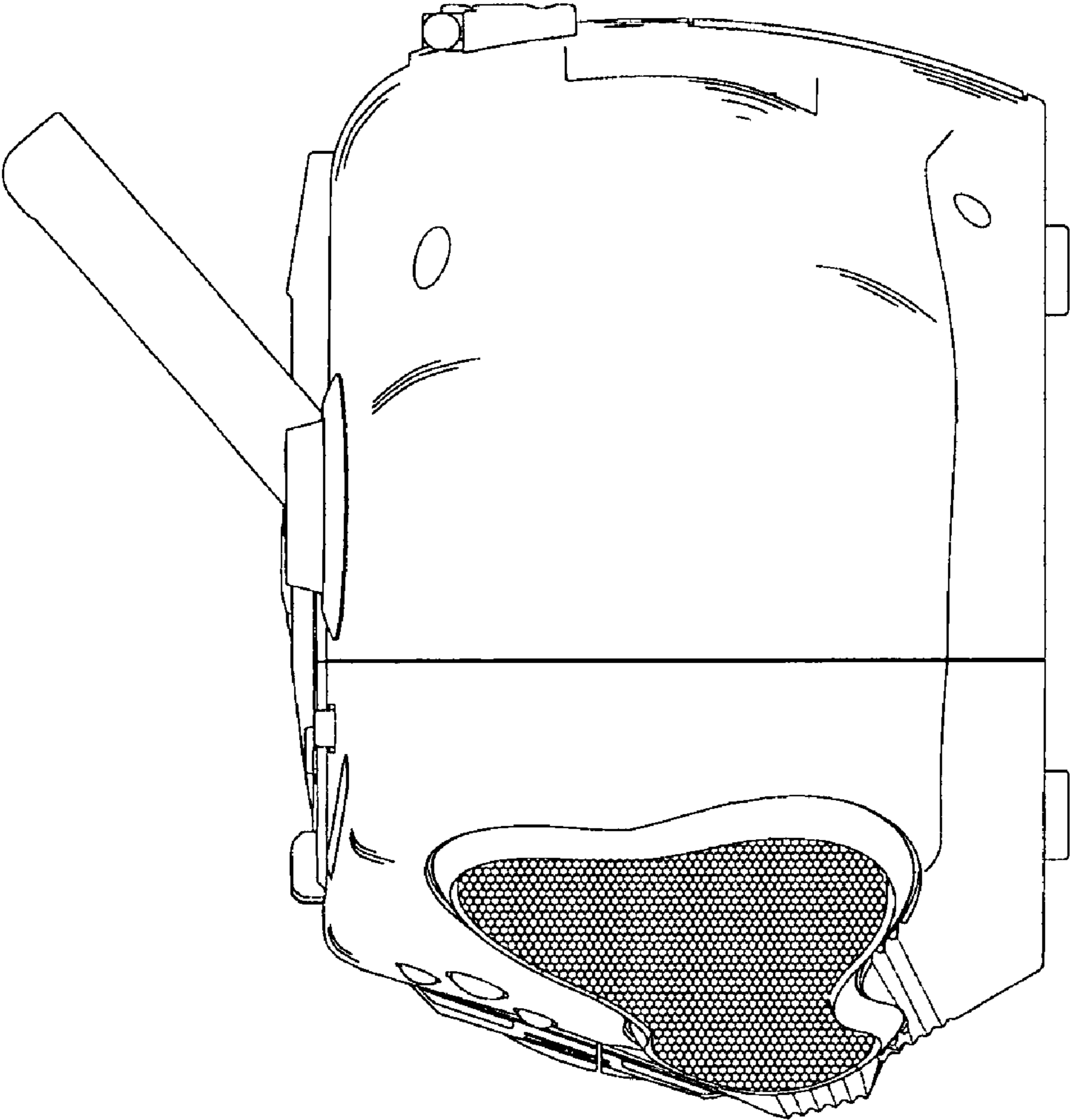


Fig. 4

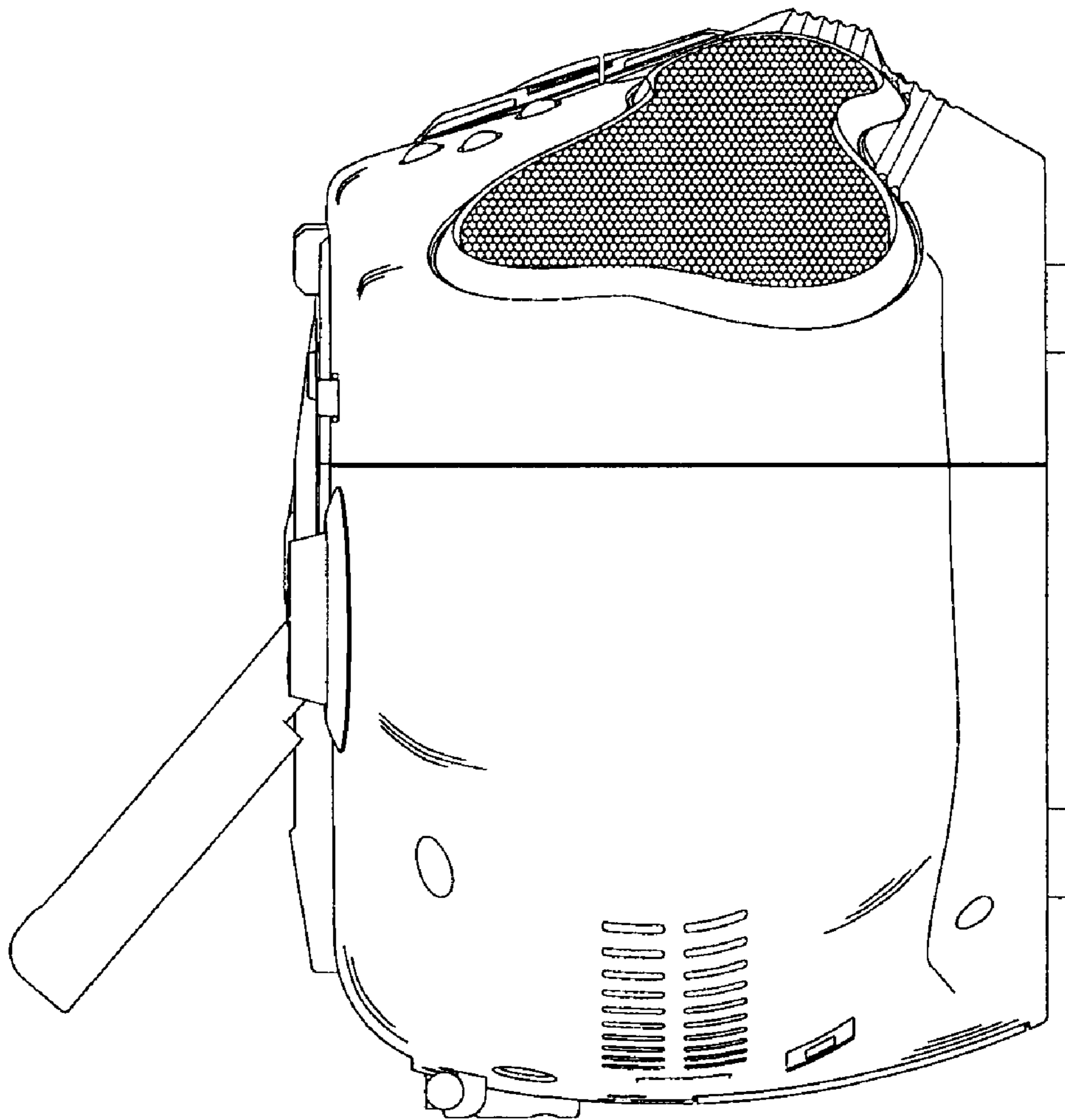


Fig. 5

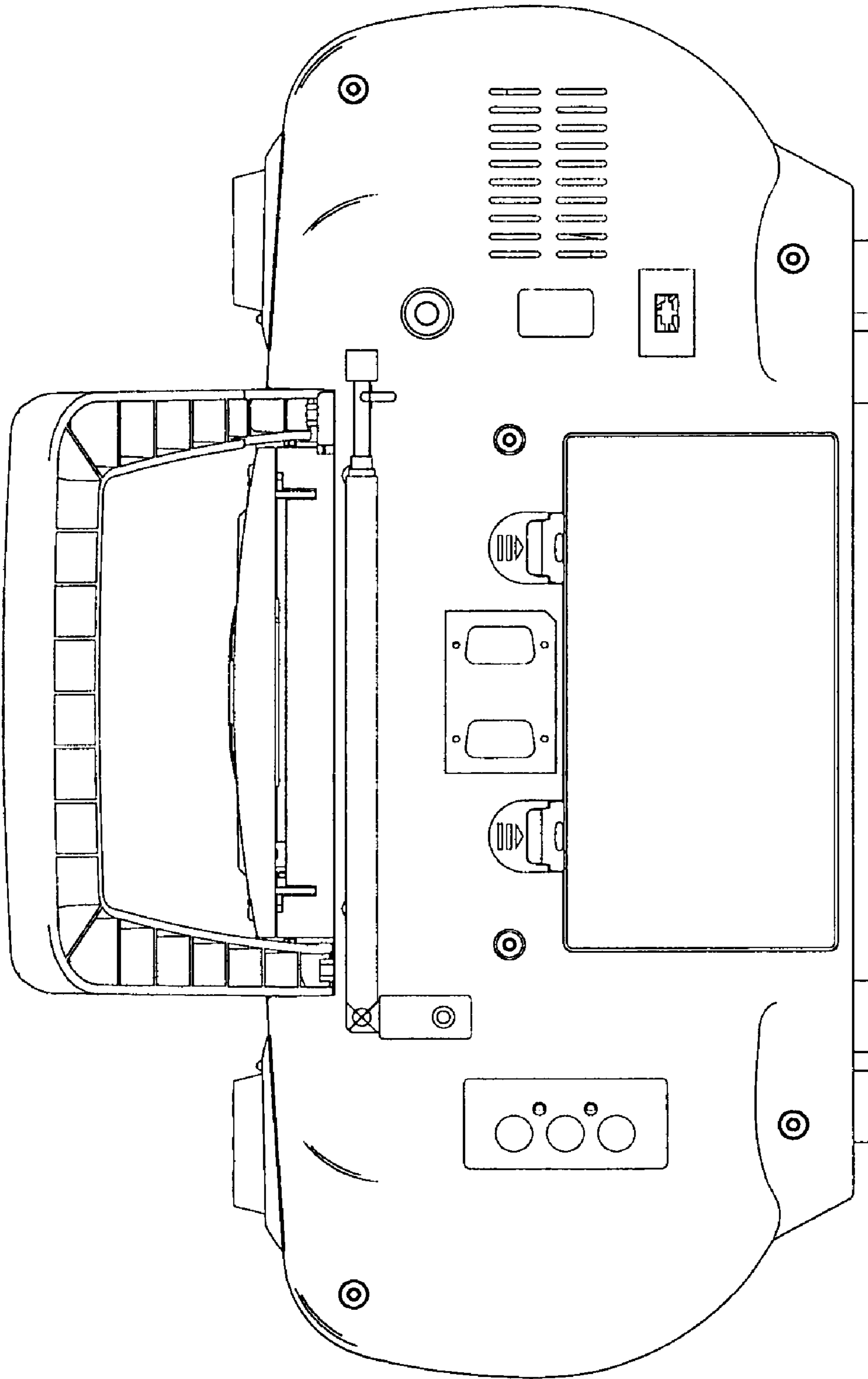


Fig. 6

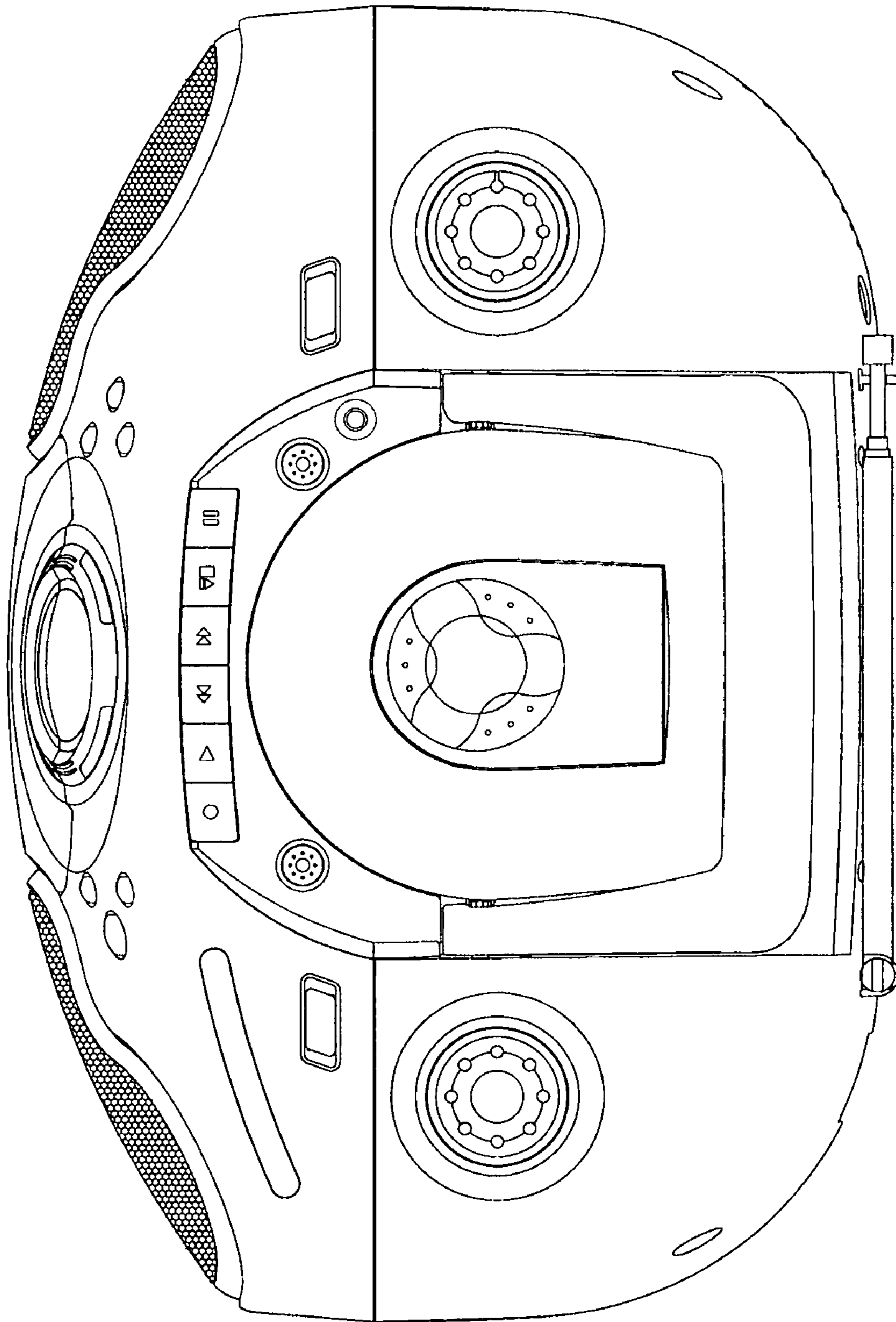


Fig. 7