



US00D575758S

(12) **United States Design Patent**  
**Nilsen et al.**

(10) **Patent No.:** **US D575,758 S**  
(45) **Date of Patent:** **\*\* Aug. 26, 2008**

(54) **COMMUNICATION DEVICE**

(75) Inventors: **Ryan M. Nilsen**, Pompano Beach, FL (US); **Nicolas E. Guyot**, Pompano Beach, FL (US); **Ban Hin Ooi**, Bayan Lepas, Pul (MY); **Minli Tee**, Bayan Lepas, Pul (MY); **Monika R. Wolf**, Parkland, FL (US)

(73) Assignee: **Motorola, Inc.**, Schaumburg, IL (US)

(\*\*) Term: **14 Years**

(21) Appl. No.: **29/282,850**

(22) Filed: **Jul. 31, 2007**

(51) **LOC (8) Cl.** ..... **14-03**

(52) **U.S. Cl.** ..... **D14/138**

(58) **Field of Classification Search** ..... D14/137,  
D14/138, 147, 191, 218, 247–248, 341–347,  
D14/496; D10/65, 78, 104; D13/168; D18/7;  
455/556.1, 575.1, 575.3, 575.4; 345/169  
See application file for complete search history.

(56) **References Cited**

**U.S. PATENT DOCUMENTS**

D475,986 S \* 6/2003 Ng et al. .... D14/138  
6,704,586 B2 \* 3/2004 Park ..... 455/575.3  
D496,014 S \* 9/2004 Lodato et al. .... D14/138

(Continued)

**OTHER PUBLICATIONS**

Samsung X510, announced Oct. 2006, [online], [retrieved on Apr. 2, 2008]. Retrieved from Internet ,<URL: http://www.gsmarena.com>.\*

Motorola V1000, announced 1<sup>st</sup> quarter 2004, [online], [retrieved on Apr. 2, 2008]. Retrieved from Internet ,<URL: http://www.gsmarena.com>.\*

Qtek 8500, announced Feb. 2006, [online], [retrieved on Apr. 2, 2008]. Retrieved from Internet ,<URL: http://www.gsmarena.com>.\*

NEC N160, announced 4<sup>th</sup> quarter 2004, [online], [retrieved on Apr. 2, 2008]. Retrieved from Internet ,<URL: http://www.gsmarena.com>.\*

*Primary Examiner*—Jeffrey D. Asch  
*Assistant Examiner*—Bridget L Eland  
(74) *Attorney, Agent, or Firm*—Larry G. Brown

(57) **CLAIM**

The ornamental design for a communication device, as shown and described.

**DESCRIPTION**

FIG. 1 is a perspective view of a first embodiment of an ornamental design for a communication device.

FIG. 2 is a front view of the first embodiment thereof.

FIG. 3 is a rear view of the first embodiment thereof.

FIG. 4 is a first side view of the first embodiment thereof.

FIG. 5 is a second side view of the first embodiment thereof.

FIG. 6 is a top view of the first embodiment thereof.

FIG. 7 is a bottom view of the first embodiment thereof.

FIG. 8 is a perspective view of a second embodiment of an ornamental design for a communication device.

FIG. 9 is a front view of the second embodiment thereof.

FIG. 10 is a rear view of the second embodiment thereof.

FIG. 11 is a first side view of the second embodiment thereof.

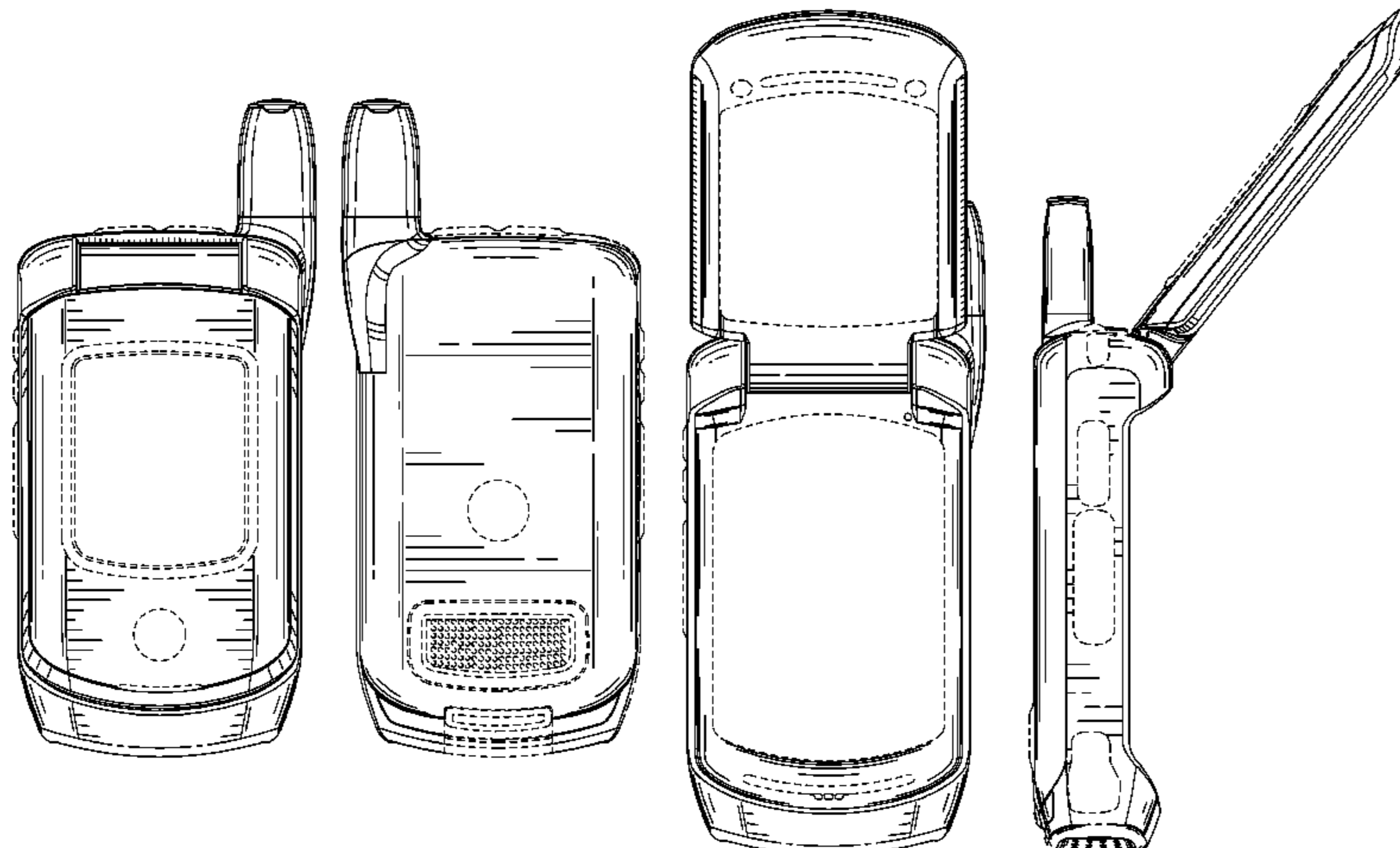
FIG. 12 is a second side view of the second embodiment thereof.

FIG. 13 is a top view of the second embodiment thereof; and,

FIG. 14 is a bottom view of the second embodiment thereof.

The broken lines shown in FIGS. 1–14, that are immediately adjacent the shaded areas and encompass non-shaded regions, represent the bounds of the claimed design, while all other broken lines are directed to environment and are for illustrative purposes only; the broken lines form no part of the claimed design in the embodiment in which they are shown.

**1 Claim, 9 Drawing Sheets**



# US D575,758 S

Page 2

---

## U.S. PATENT DOCUMENTS

D504,670 S *	5/2005	Lodato et al. ....	D14/138	D551,200 S *	9/2007	Escorcia et al. ....	D14/138
D507,552 S *	7/2005	Liang .....	D14/138	D555,615 S *	11/2007	Lodato et al. ....	D14/138
D508,034 S *	8/2005	Liao .....	D14/138	D558,708 S *	1/2008	Wolf et al. ....	D14/138
D519,484 S *	4/2006	Wolf et al. ....	D14/138	D558,709 S *	1/2008	Nilsen et al. ....	D14/138
D519,965 S *	5/2006	Lodato et al. ....	D14/138	D561,144 S *	2/2008	Wenming .....	D14/138
D521,477 S *	5/2006	Kim et al. ....	D14/138	D563,347 S *	3/2008	Park et al. ....	D14/138
D536,686 S *	2/2007	Miyata .....	D14/138	D563,923 S *	3/2008	Leng et al. ....	D14/137
D545,285 S *	6/2007	Hong et al. ....	D14/138	D563,932 S *	3/2008	Song et al. ....	D14/138
D545,286 S *	6/2007	Lee et al. ....	D14/138	2005/0003852 A1 *	1/2005	Song .....	455/550.1
D546,312 S *	7/2007	Han et al. ....	D14/138	2006/0079302 A1 *	4/2006	Kota et al. ....	455/575.3
				2008/0043420 A1 *	2/2008	Yun et al. ....	361/683

\* cited by examiner

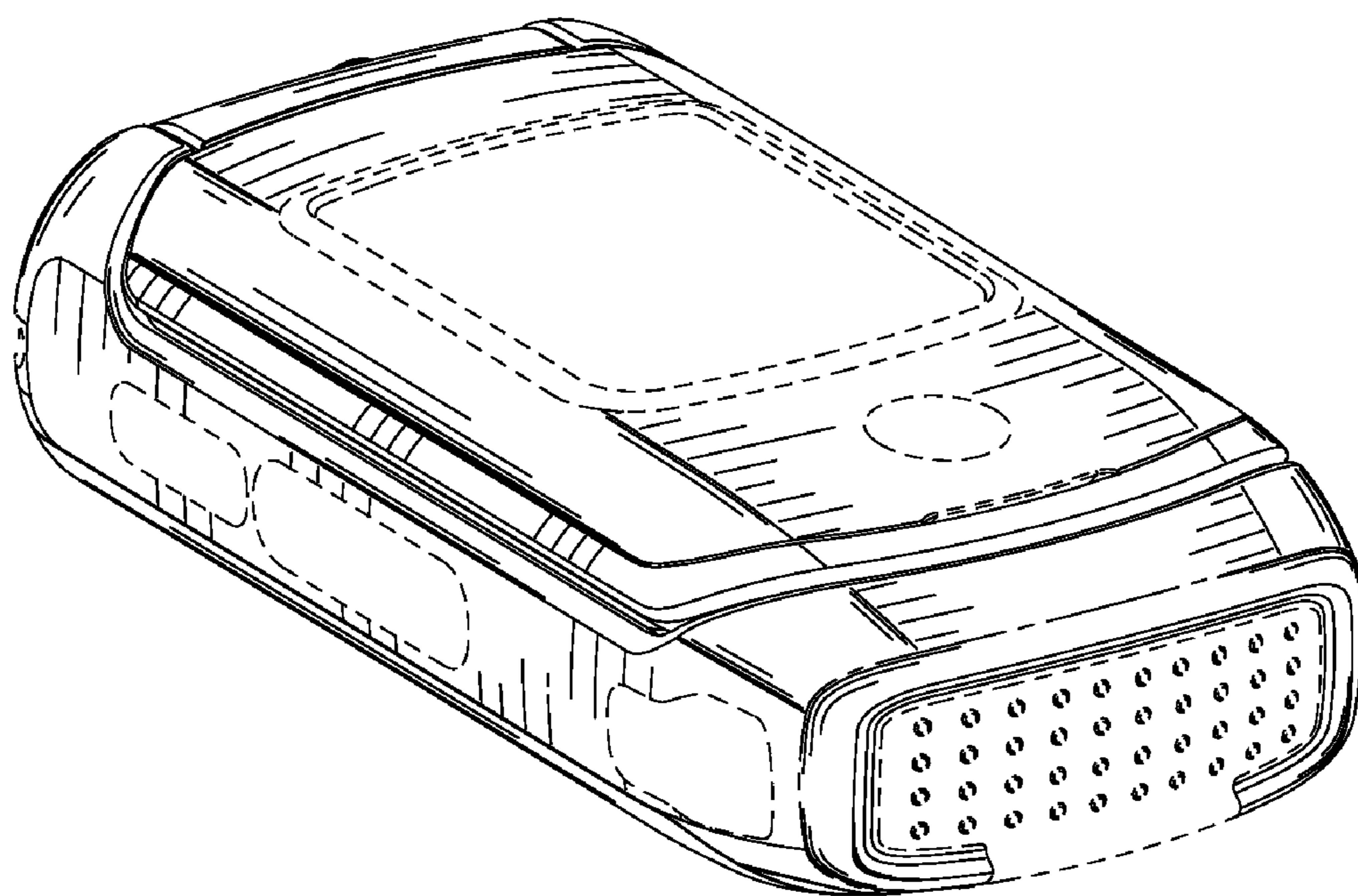


FIG. 1

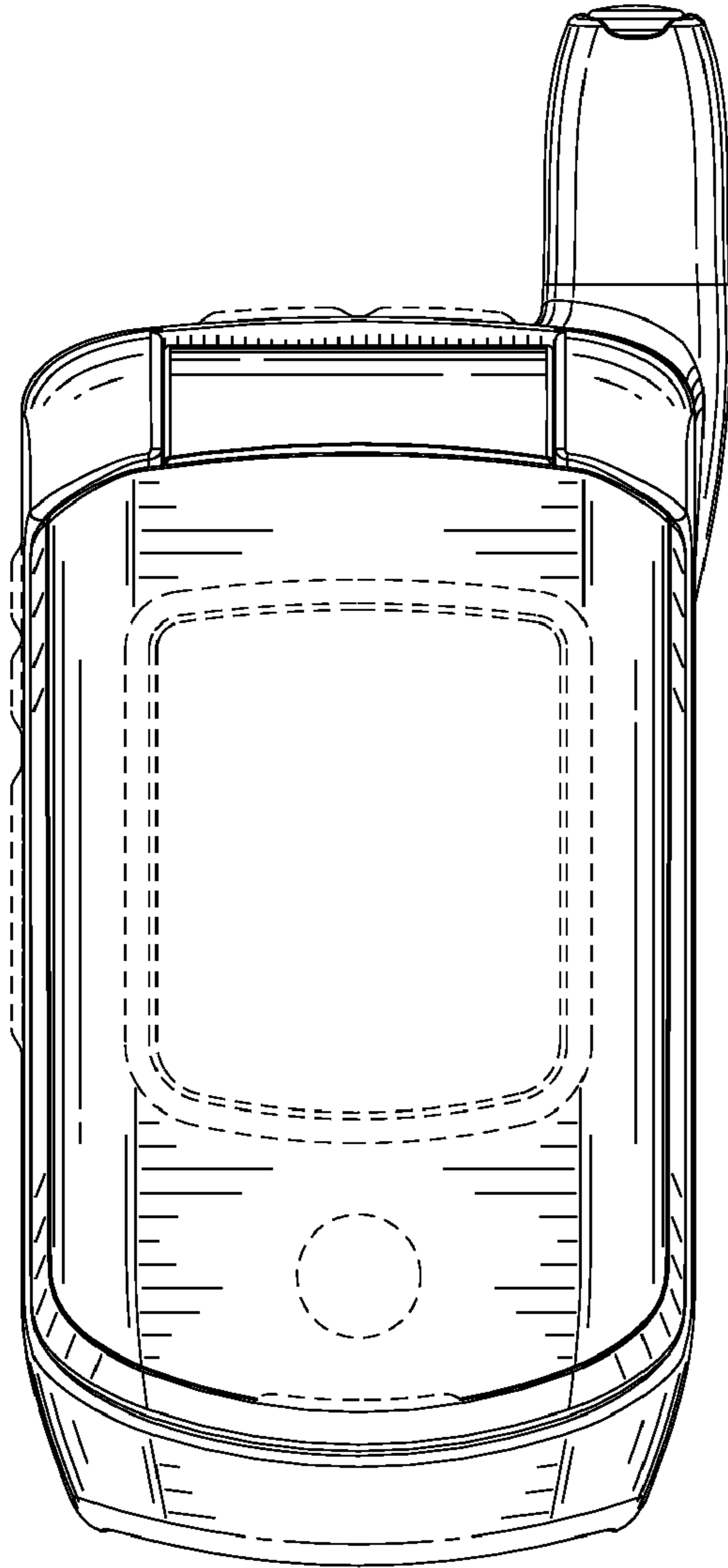


FIG. 2

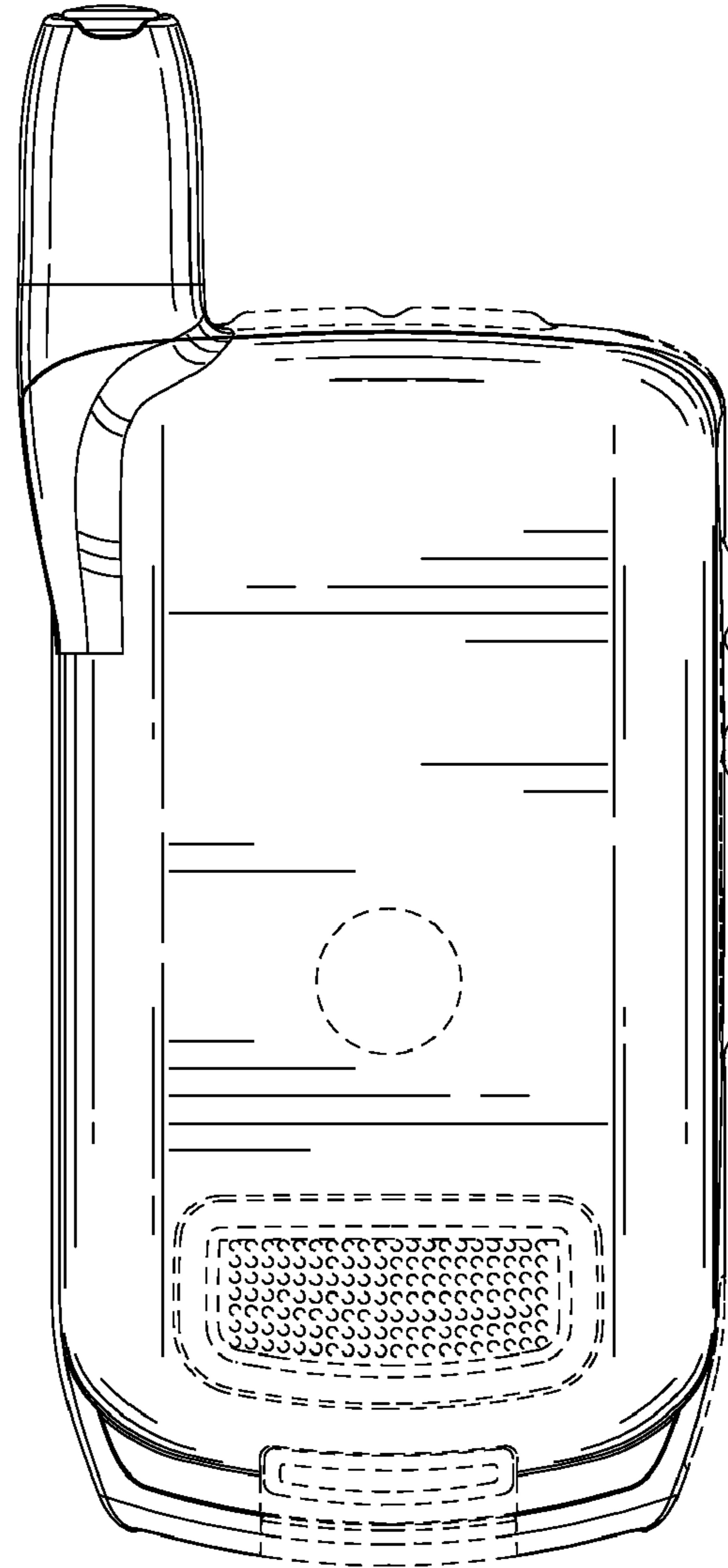


FIG. 3

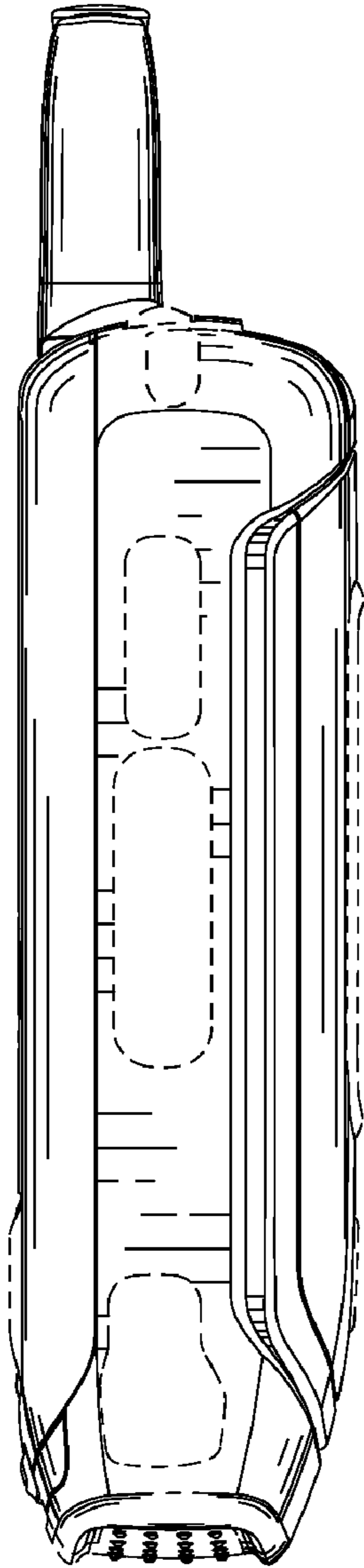


FIG. 4

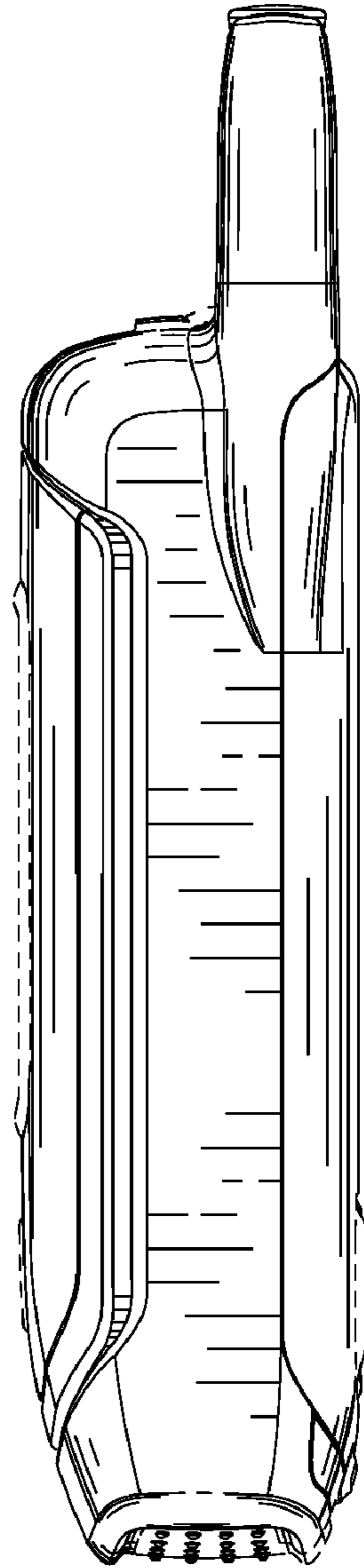


FIG. 5

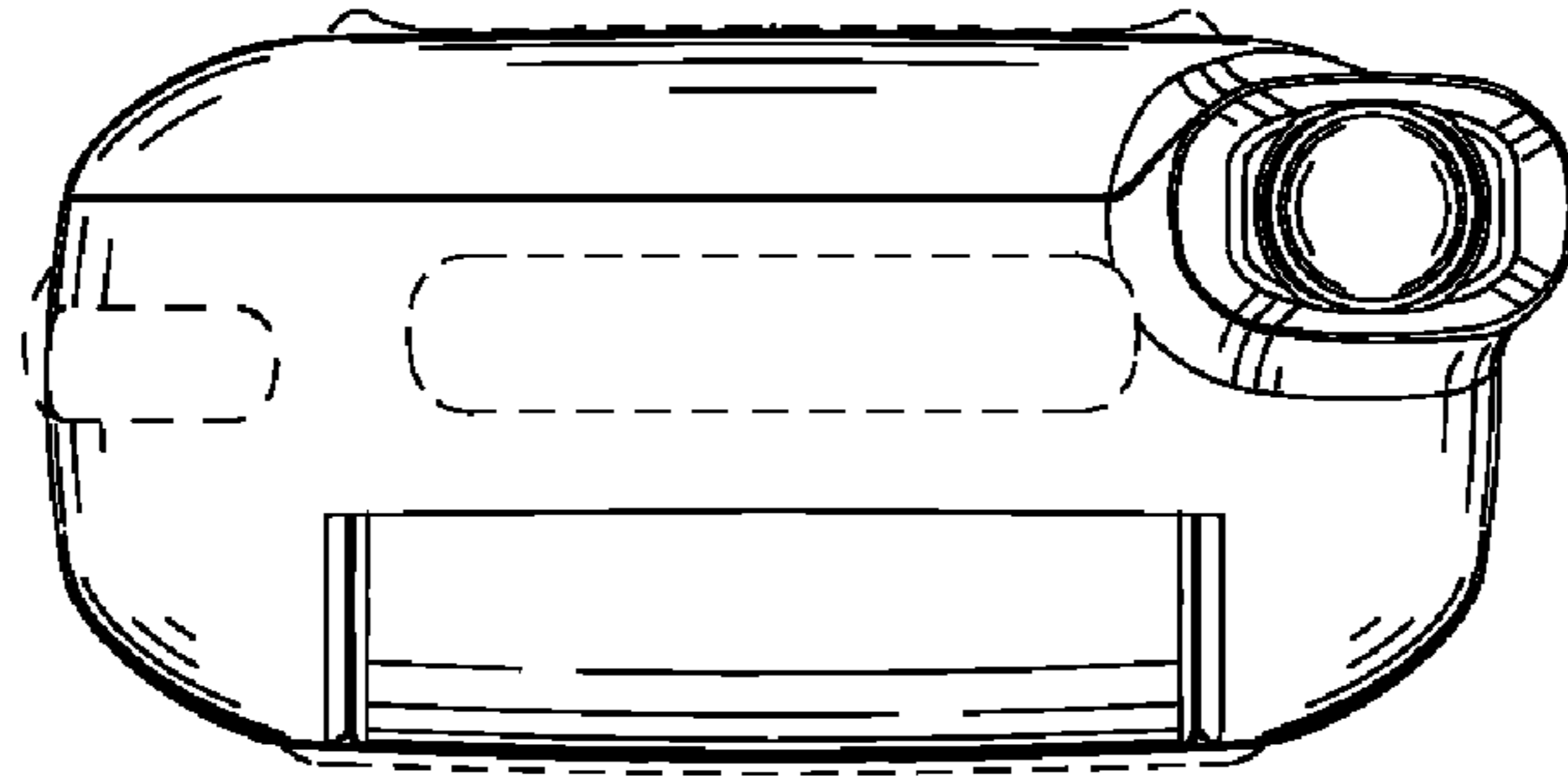


FIG. 6

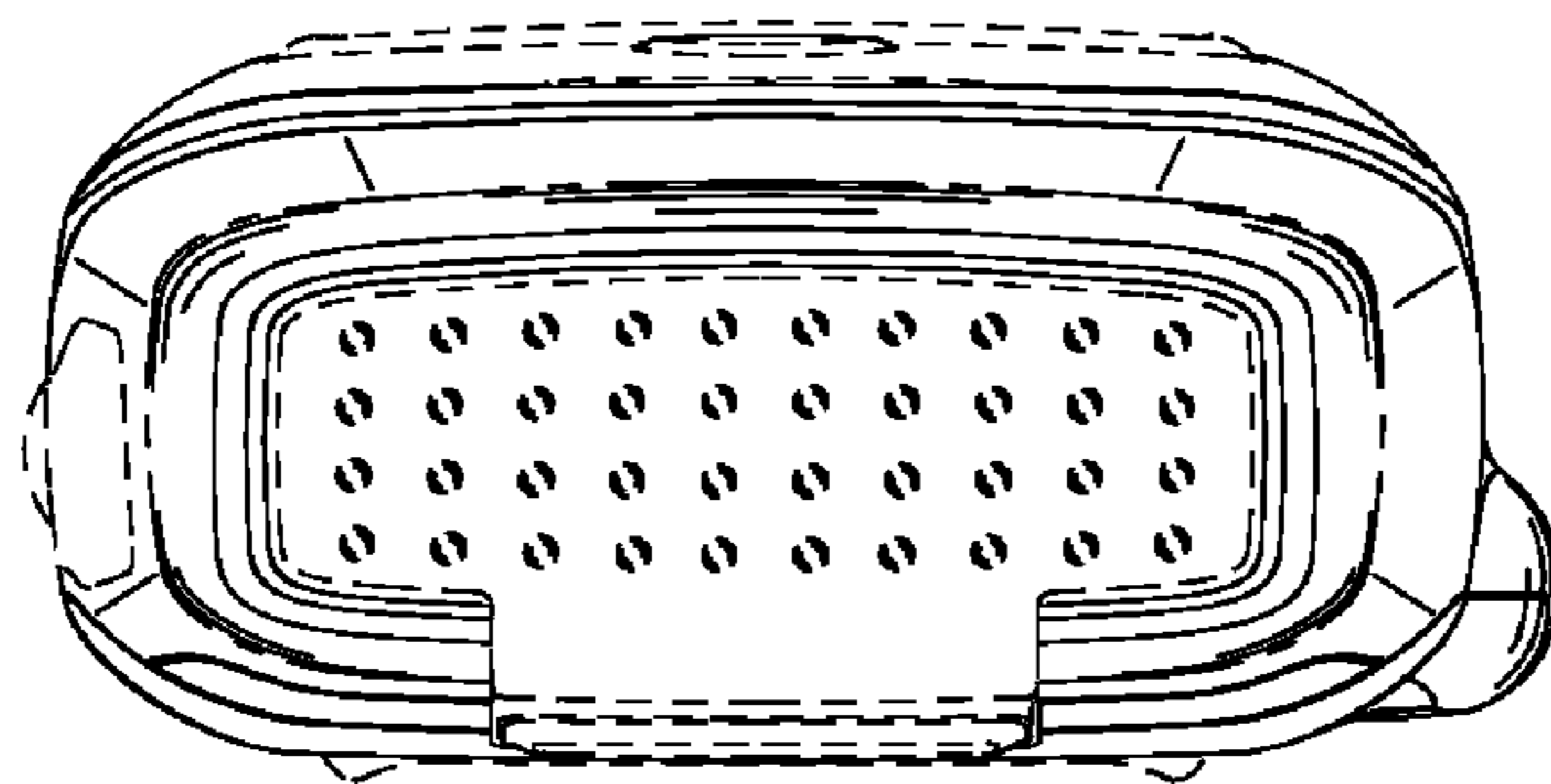


FIG. 7

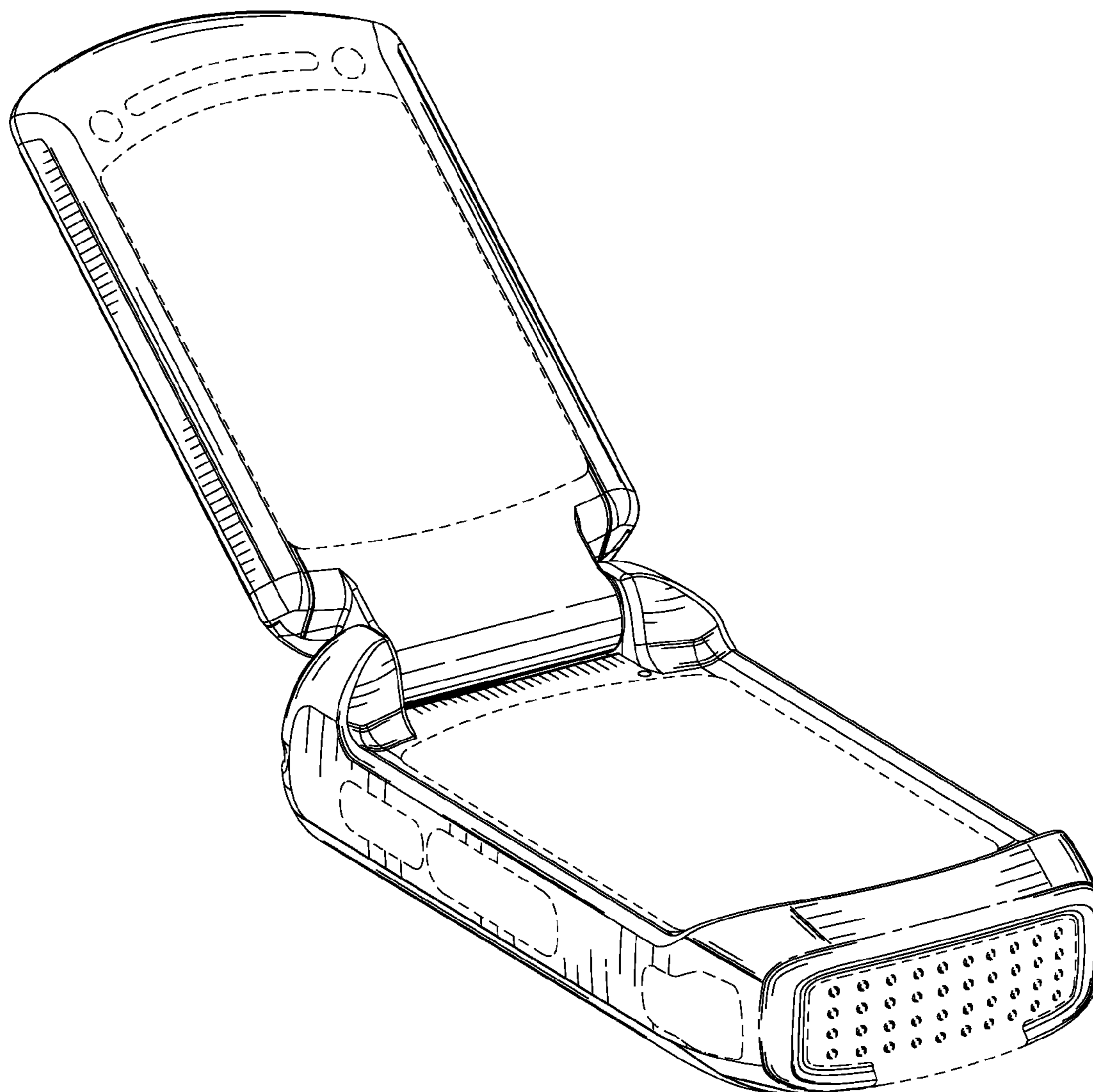


FIG. 8

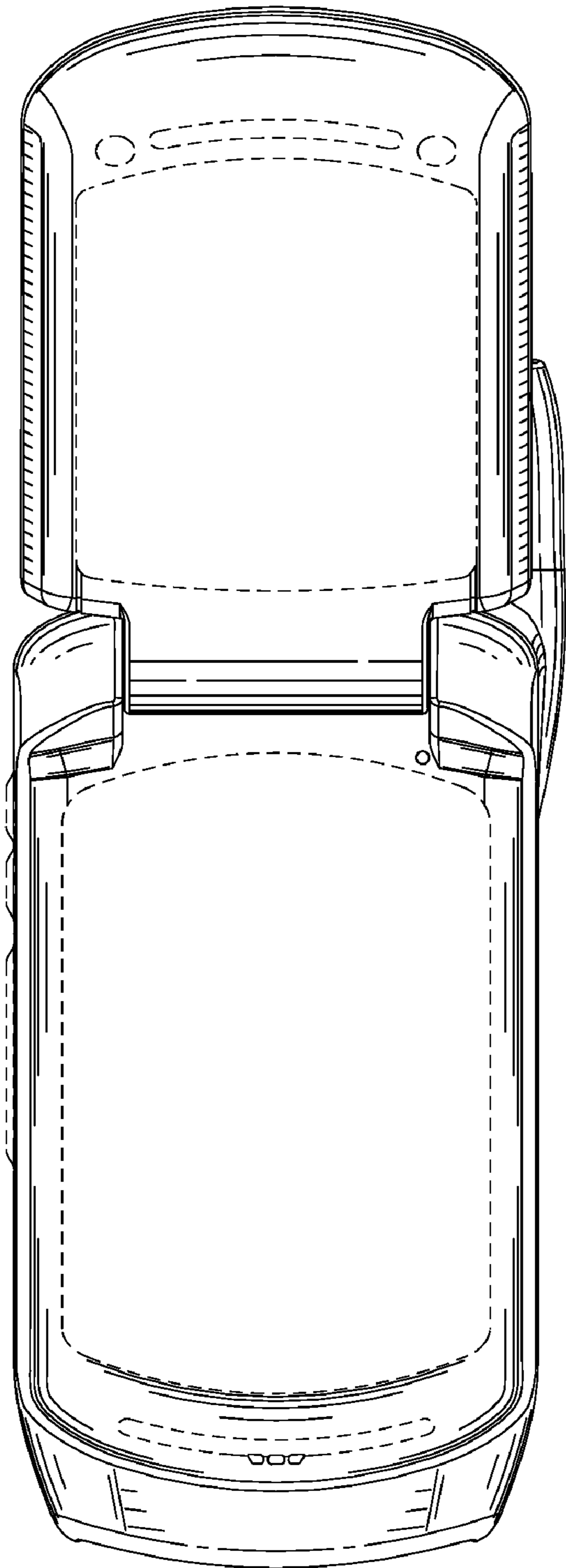


FIG. 9

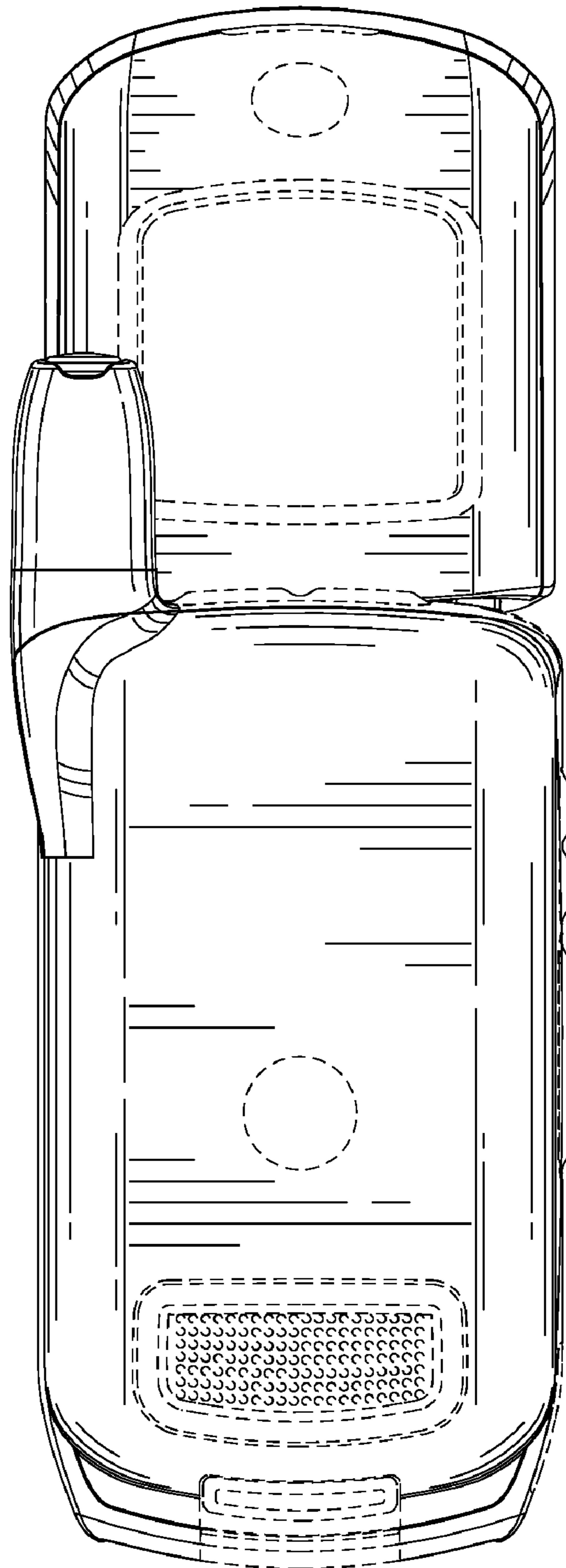


FIG. 10



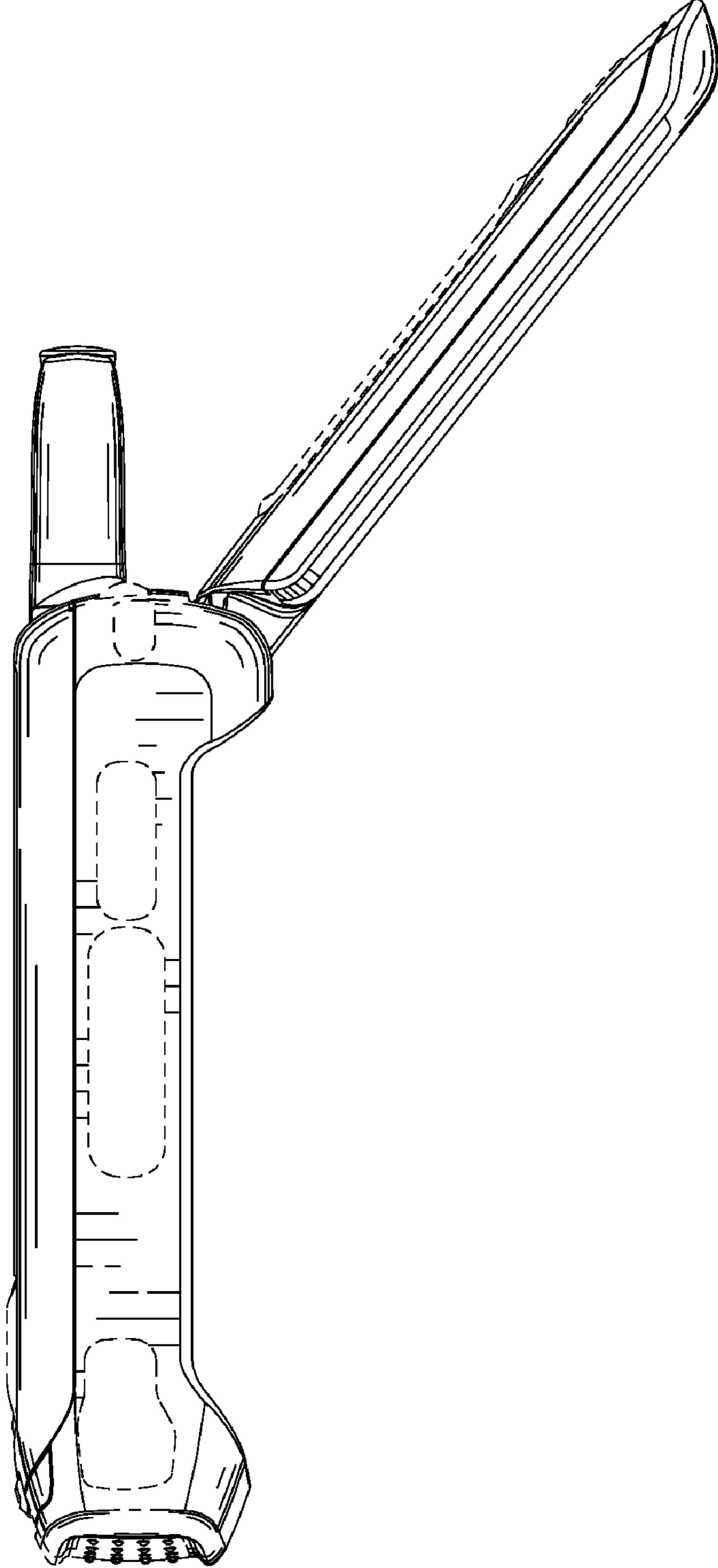


FIG. 11

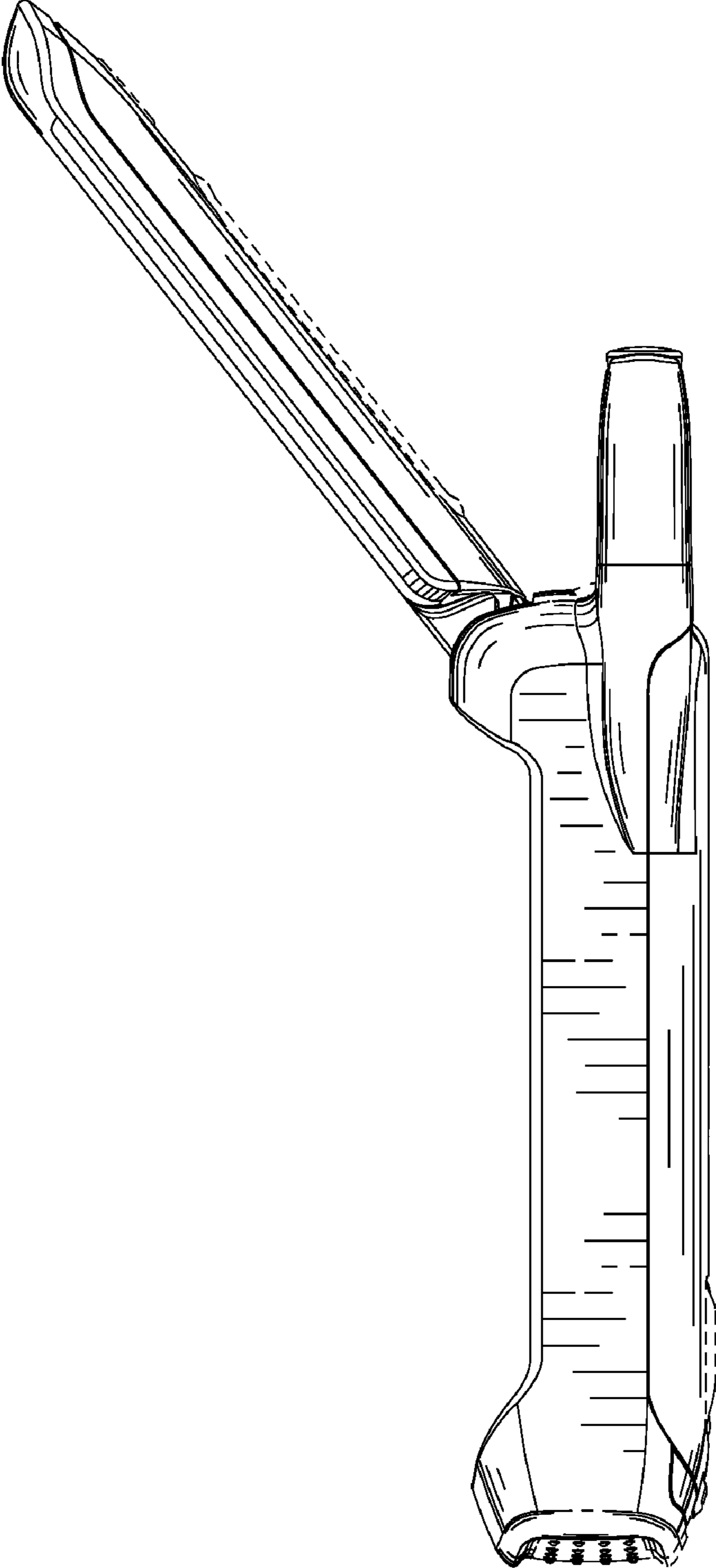


FIG. 12

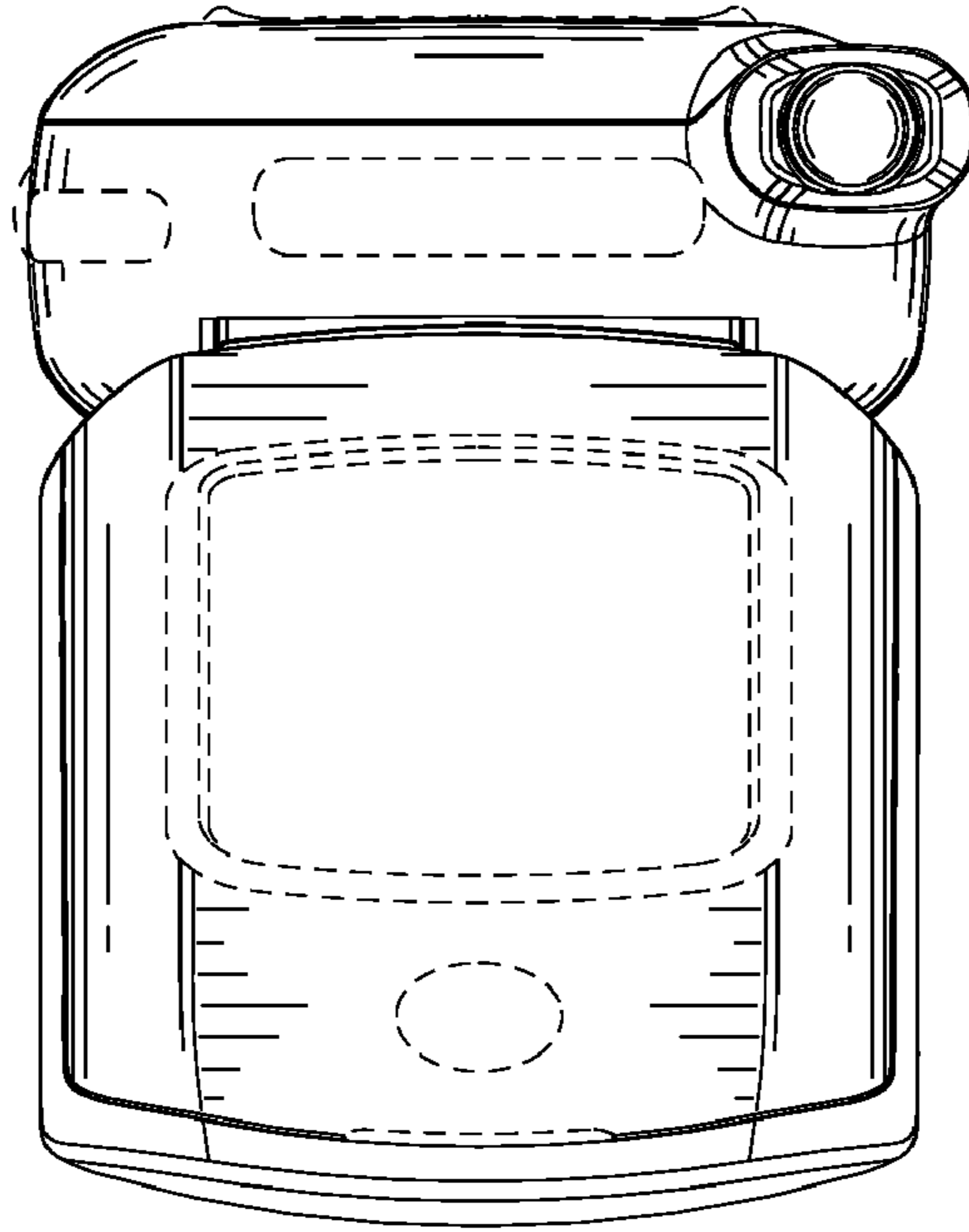


FIG. 13

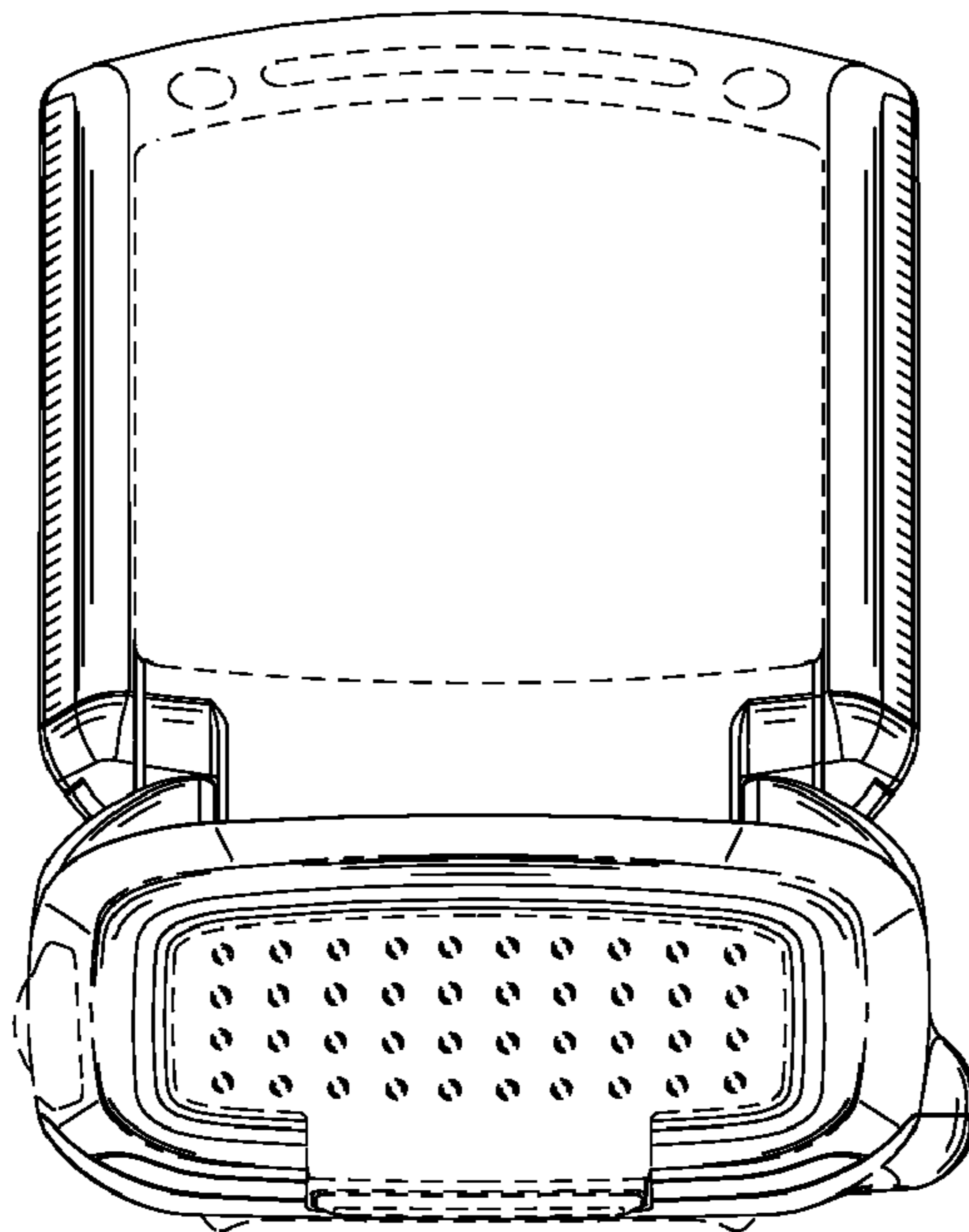


FIG. 14