



US00D575757S

(12) **United States Design Patent**
Chung et al.

(10) **Patent No.:** **US D575,757 S**

(45) **Date of Patent:** **** Aug. 26, 2008**

(54) **PORTABLE PHONE**

(75) Inventors: **Jae Woong Chung**, Seongnam-si (KR);
Joon Suh Kim, Anyang-si (KR);
Chang-Soo Lee, Incheon (KR)

(73) Assignee: **Samsung Electronics Co., Ltd.**,
Suwon-si (KR)

(**) Term: **14 Years**

(21) Appl. No.: **29/274,091**

(22) Filed: **Mar. 28, 2007**

(30) **Foreign Application Priority Data**

Oct. 13, 2006 (KR) 30-2006-0041233

(51) **LOC (8) Cl.** **14-03**

(52) **U.S. Cl.** **D14/138**

(58) **Field of Classification Search** D14/138,
D14/496, 341-347; 455/575.3, 575.1; D21/517
See application file for complete search history.

(56) **References Cited**

U.S. PATENT DOCUMENTS

D490,793	S *	6/2004	Tsai et al.	D14/138
D500,480	S *	1/2005	Daw	D14/138
D511,509	S *	11/2005	Kim et al.	D14/138
D518,812	S *	4/2006	Kim et al.	D14/138
D520,980	S *	5/2006	Taniyama et al.	D14/138
D522,989	S *	6/2006	Viitasaari	D14/138
7,110,797	B2 *	9/2006	Soejima	455/575.1
7,117,564	B2 *	10/2006	Jeong	16/334
D535,637	S *	1/2007	Park et al.	D14/138
D540,768	S *	4/2007	Cho et al.	D14/138
D540,770	S *	4/2007	Park et al.	D14/138
D542,252	S *	5/2007	Lee	D14/138
D543,169	S *	5/2007	Kim et al.	D14/138
D545,287	S *	6/2007	Han et al.	D14/138
D549,680	S *	8/2007	Lee et al.	D14/138
D551,648	S *	9/2007	Kim et al.	D14/138
D556,720	S *	12/2007	Lee	D14/138
D559,818	S *	1/2008	Miyazaki et al.	D14/138
D559,820	S *	1/2008	Lee	D14/138

D559,824	S *	1/2008	Lee et al.	D14/138
D560,189	S *	1/2008	Kim et al.	D14/138
7,336,979	B2 *	2/2008	Soejima	455/575.1
D563,930	S *	3/2008	Kim et al.	D14/138
2003/0013417	A1 *	1/2003	Bum	455/90
2004/0203527	A1 *	10/2004	Matsumoto	455/90.3
2006/0146030	A1 *	7/2006	Kim	345/169
2006/0154702	A1 *	7/2006	Kang et al.	455/575.3
2007/0161414	A1 *	7/2007	Wang et al.	455/575.3
2008/0039158	A1 *	2/2008	Park et al.	455/575.3
2008/0076492	A1 *	3/2008	Yamaguchi et al.	455/575.3

OTHER PUBLICATIONS

Samsung P110 telephone, announced Feb. 2007, [online], [site visited Apr. 12, 2008]. Available from Internet ,<URL: <http://www.gsmarena.com>>.*

(Continued)

Primary Examiner—Jeffrey D Asch

(74) *Attorney, Agent, or Firm*—Staas & Halsey LLP

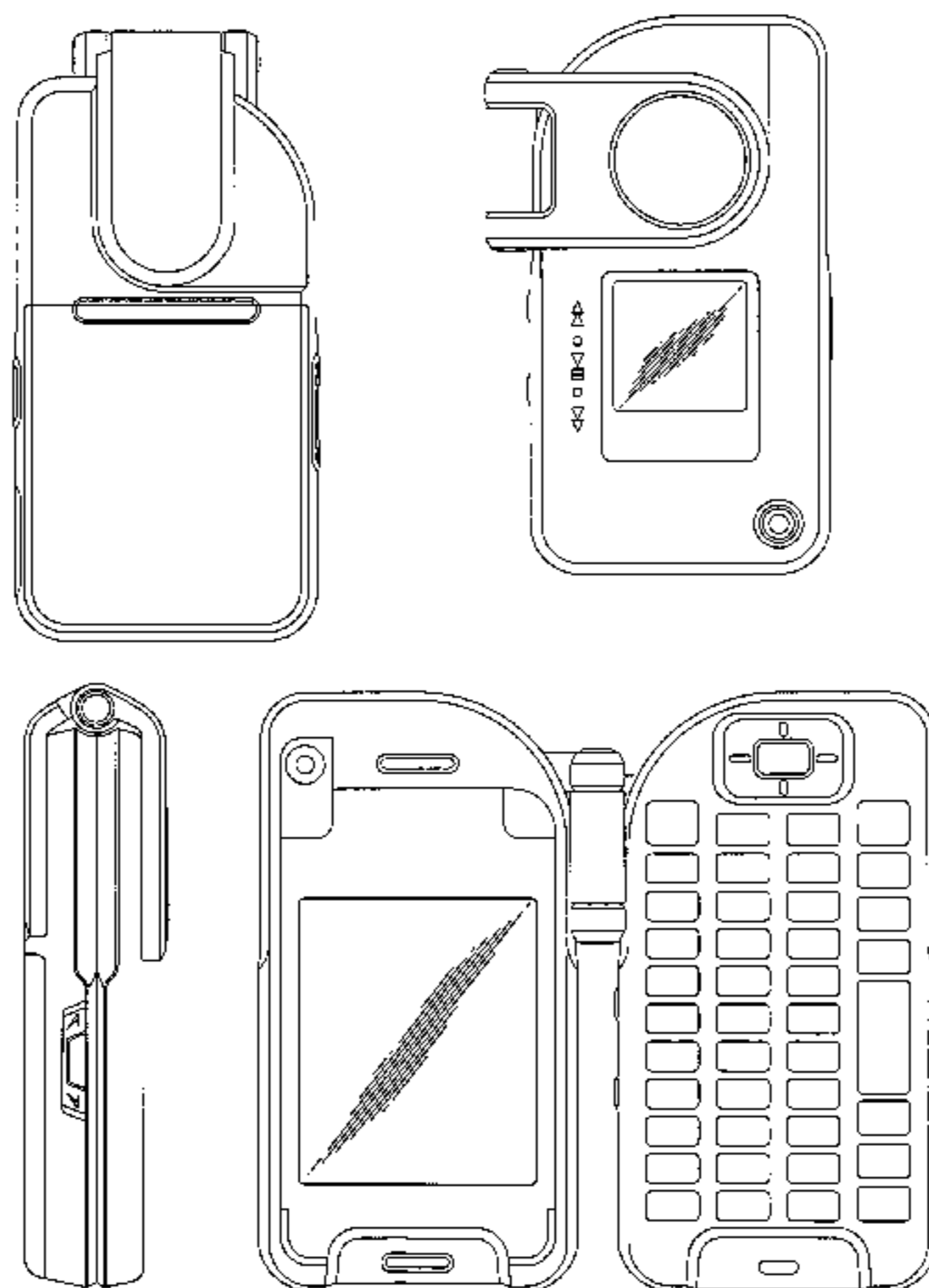
(57) **CLAIM**

The ornamental design for a portable phone, as shown and described.

DESCRIPTION

FIG. 1 is a perspective view of a portable phone;
FIG. 2 is a front view of the portable phone of FIG. 1;
FIG. 3 is a rear view of the portable phone of FIG. 1;
FIG. 4 is a left-side view of the portable phone of FIG. 1;
FIG. 5 is a right-side view of the portable phone of FIG. 1;
FIG. 6 is a top plan view of the portable phone of FIG. 1;
FIG. 7 is a bottom plan view of the portable phone of FIG. 1;
FIG. 8 is an open view of the portable phone of FIG. 1;
FIG. 9 is a front view of the portable phone of FIG. 1, where the hinge part is rotated 90°; and,
FIG. 10 is opened view of the portable phone of FIG. 1, while the hinge part is rotated 90°.

1 Claim, 7 Drawing Sheets



OTHER PUBLICATIONS

LG P7200 telephone, Aug. 2005, [online], [site visited Apr. 12, 2008]. Available from Internet ,<URL: <http://www.gsmarena.com>>.*

Philips 655 telephone, announced 3rd quarter 2004, [online], [site visited Apr. 12, 2008]. Available from Internet ,<URL: <http://www.gsmarena.com>>.*

Sharp TM200 telephone, announced 4th quarter 2004, [online], [site visited Apr. 12, 2008]. Available from Internet ,<URL: <http://www.gsmarena.com>>.*

Panasonic VS7 telephone, announced 1st quarter 2005, [online], [site visited Apr. 12, 2008]. Available from Internet ,<URL: <http://www.gsmarena.com>>.*

* cited by examiner

FIG. 1

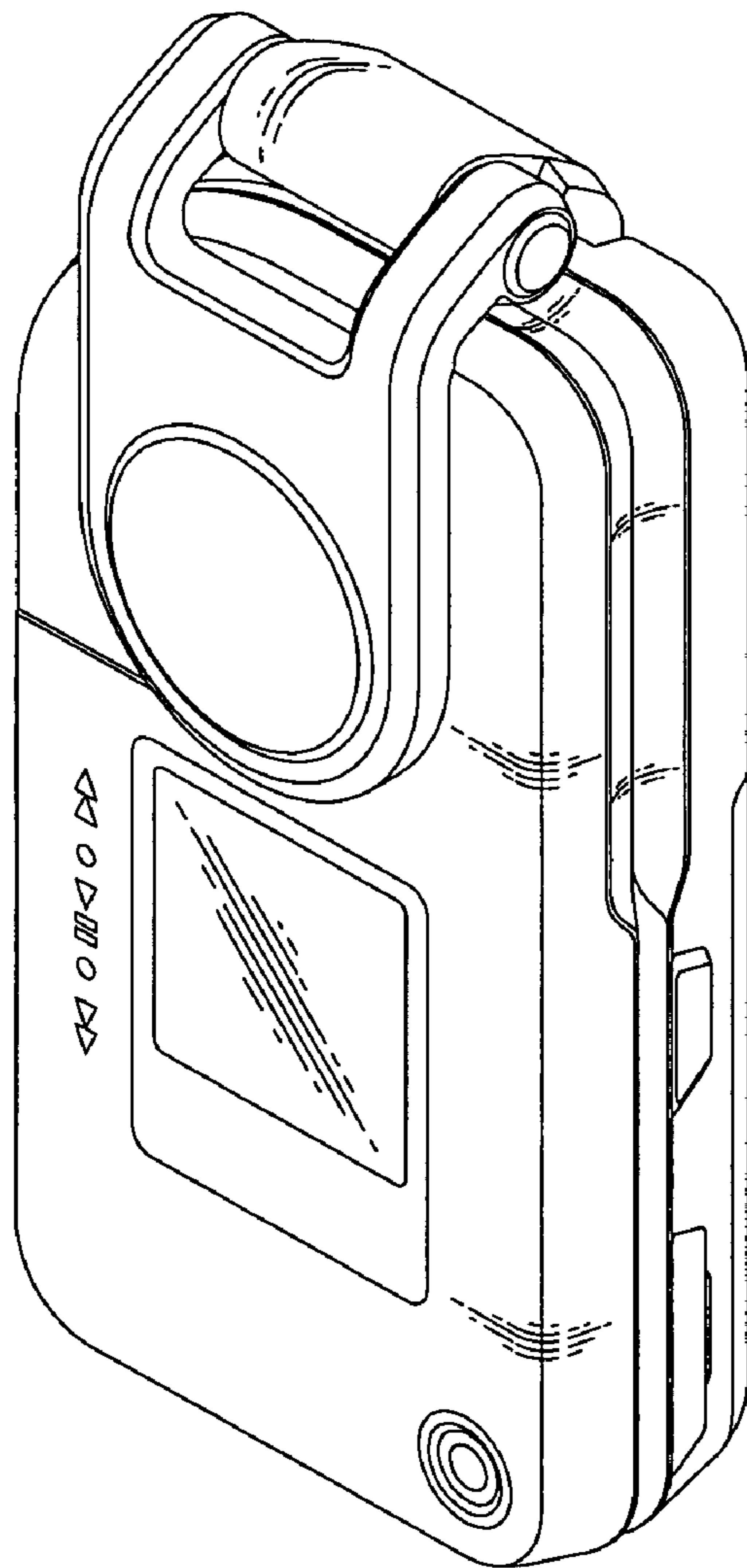


FIG. 2

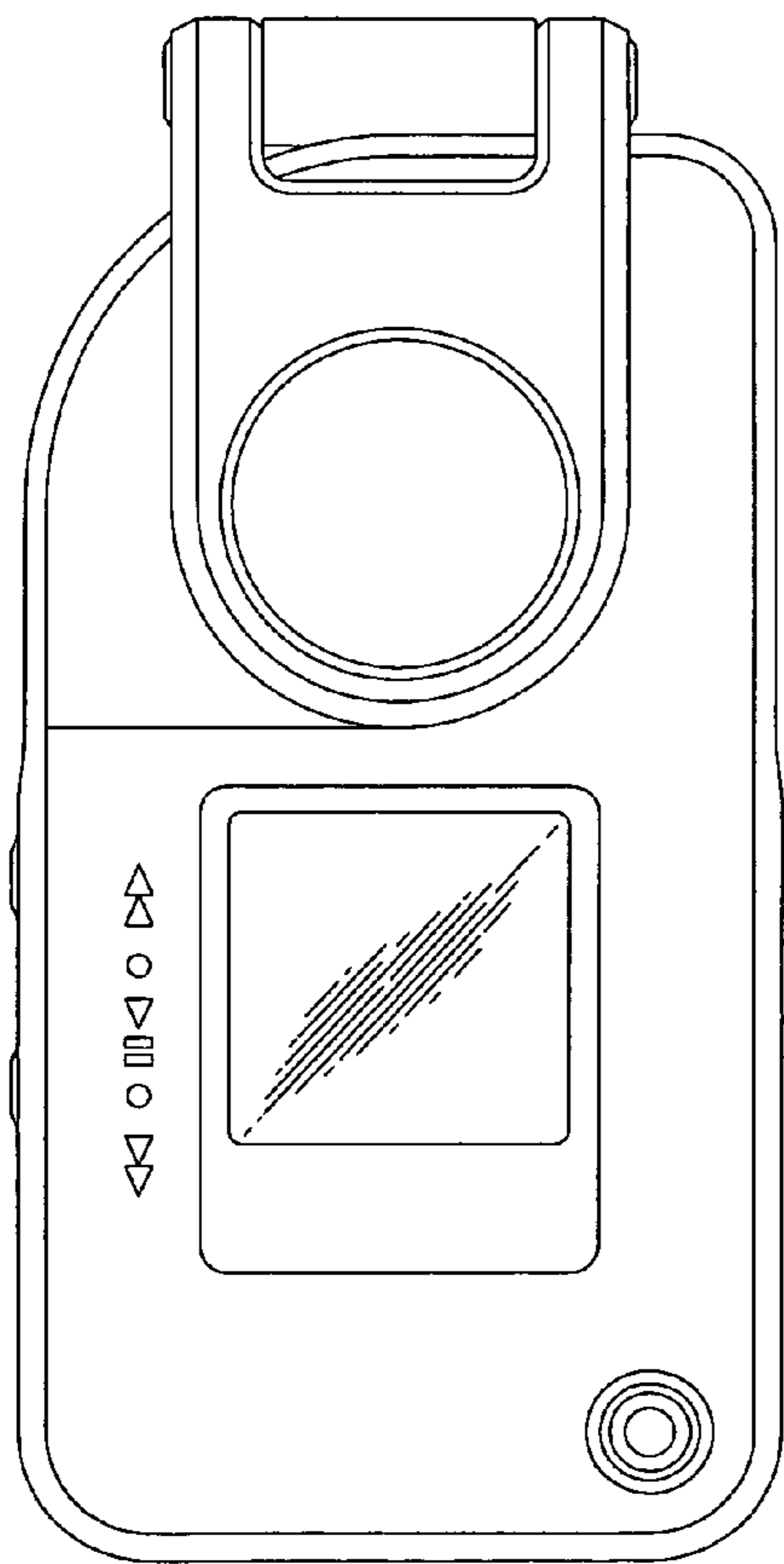


FIG. 3

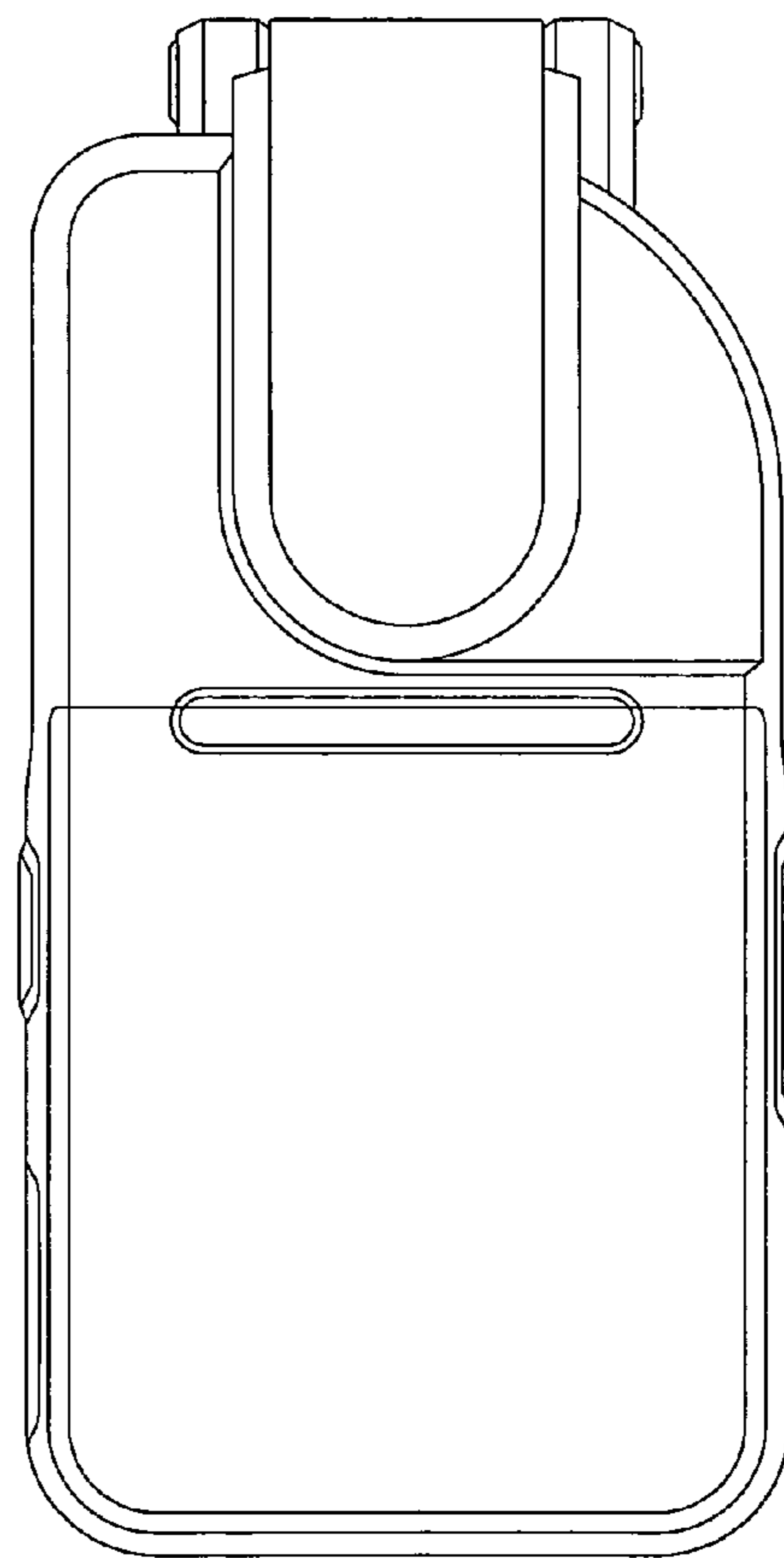


FIG. 4

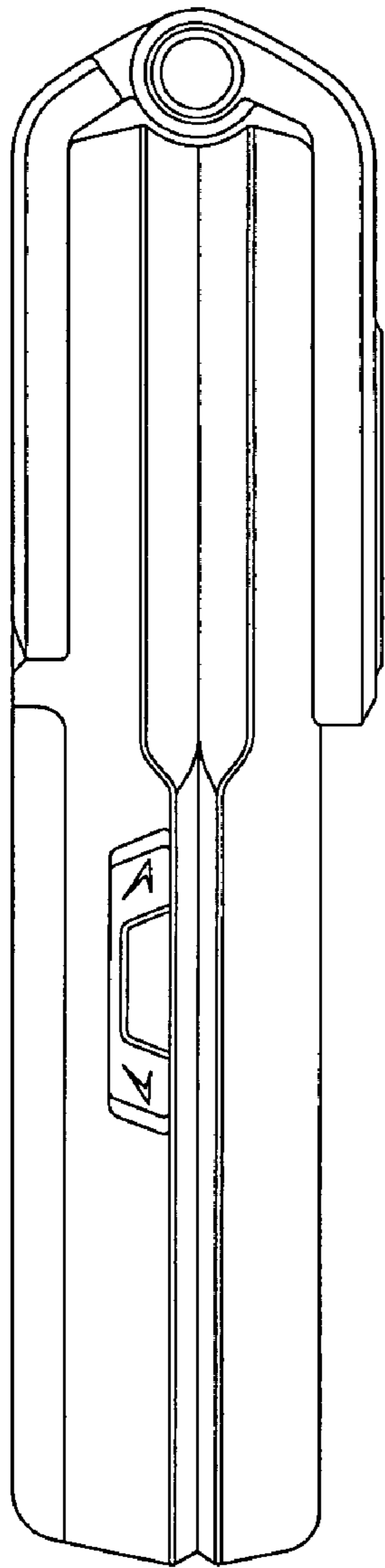


FIG. 5

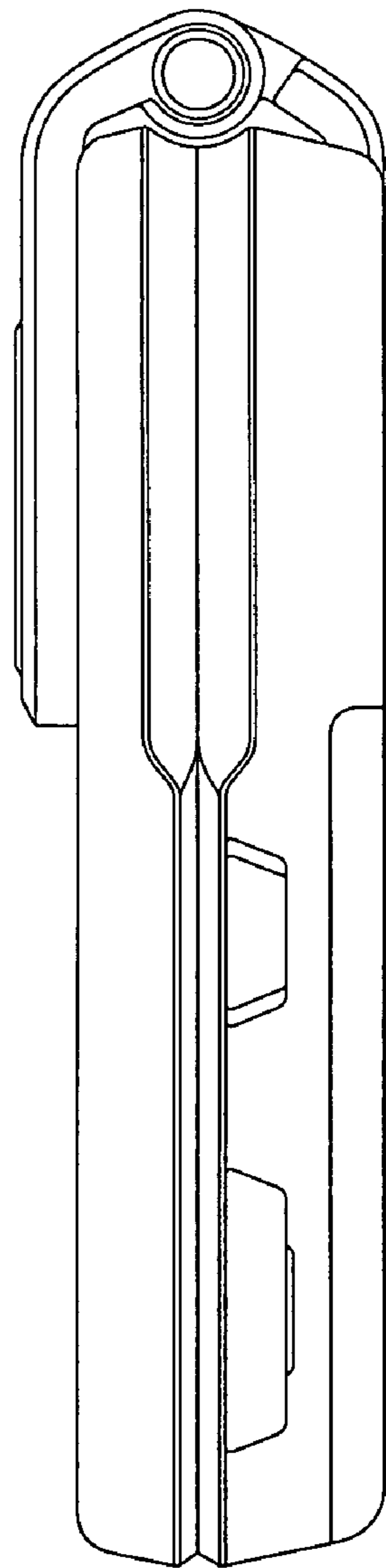


FIG. 6

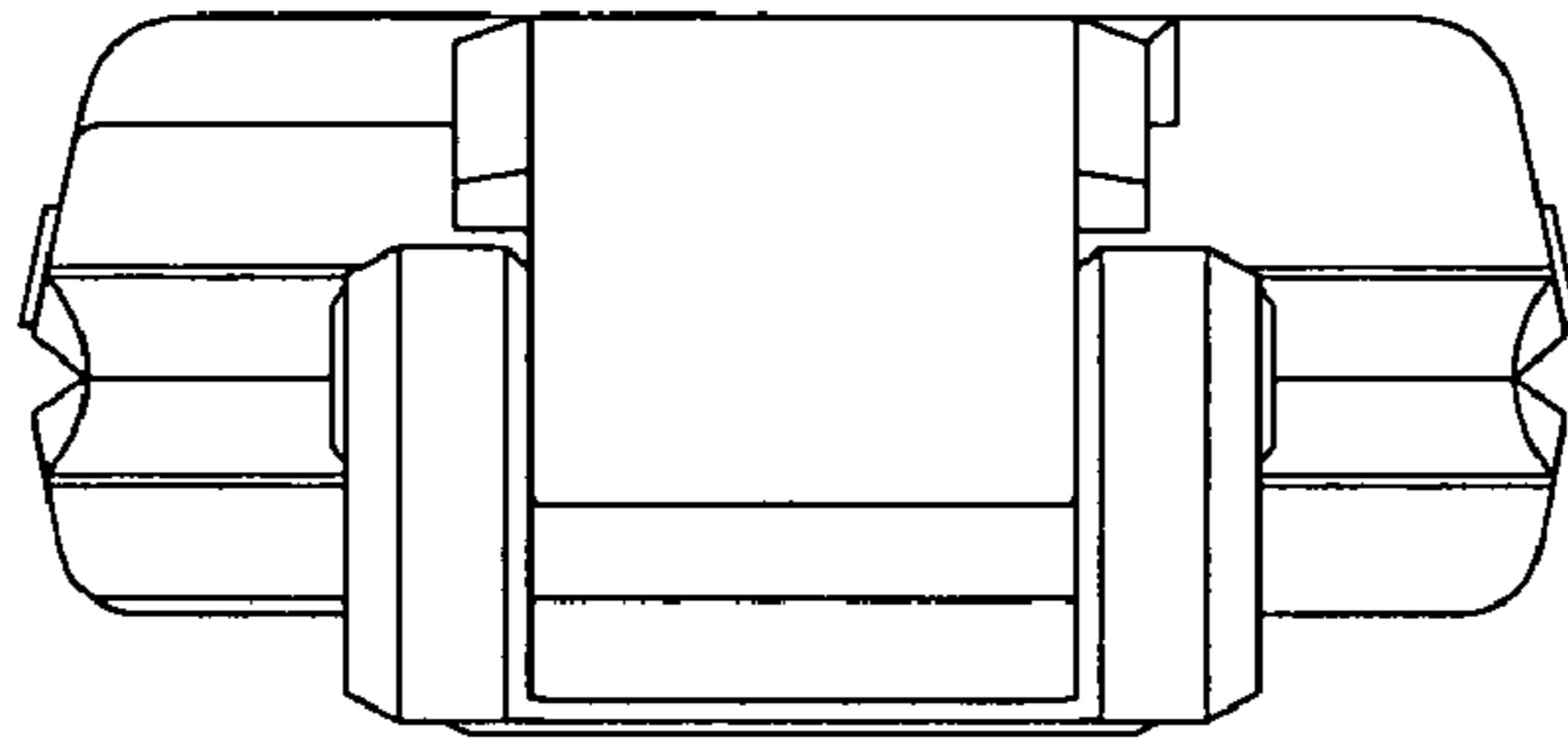


FIG. 7

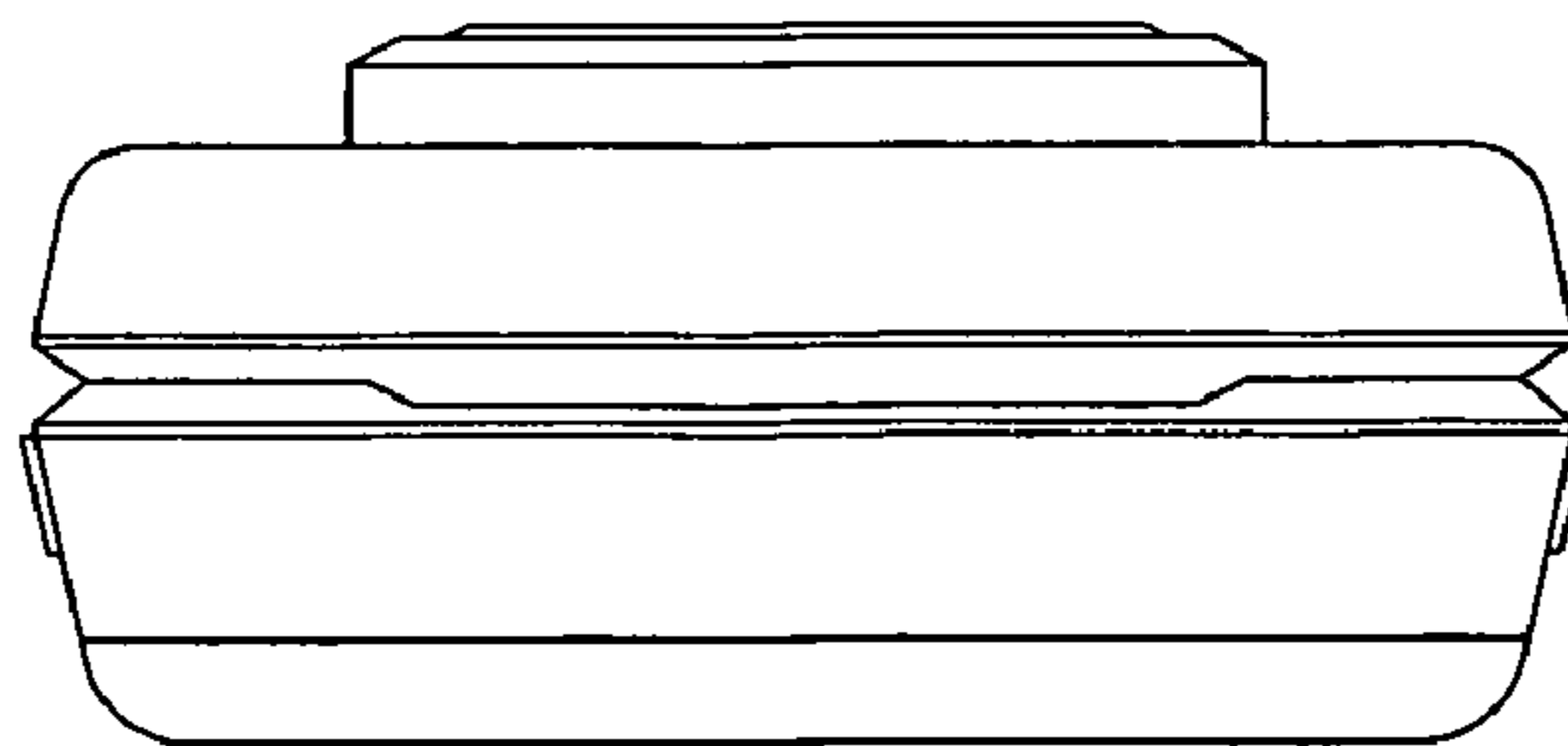


FIG. 8

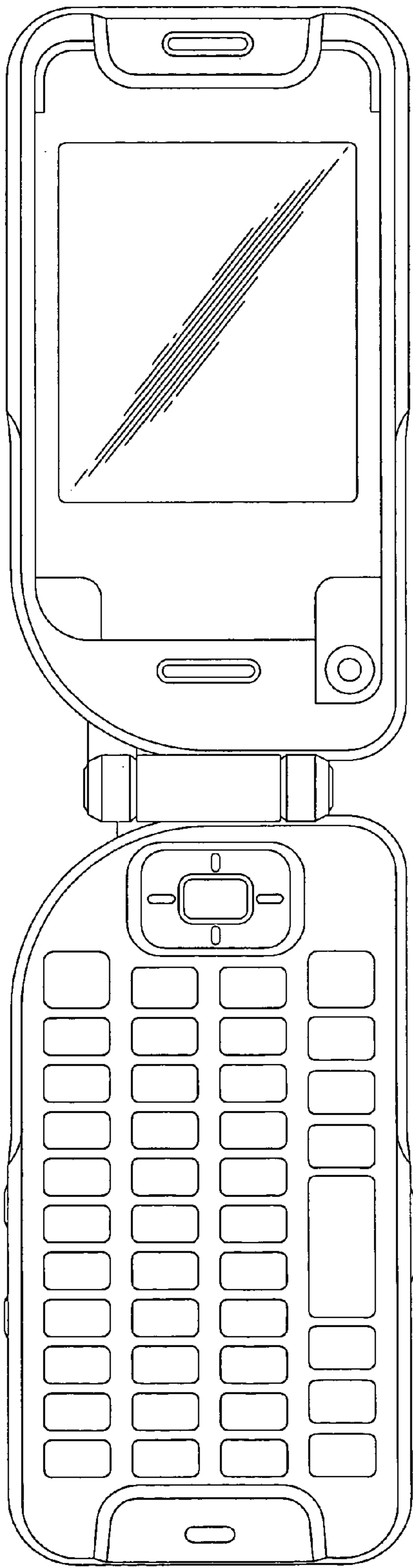


FIG. 9

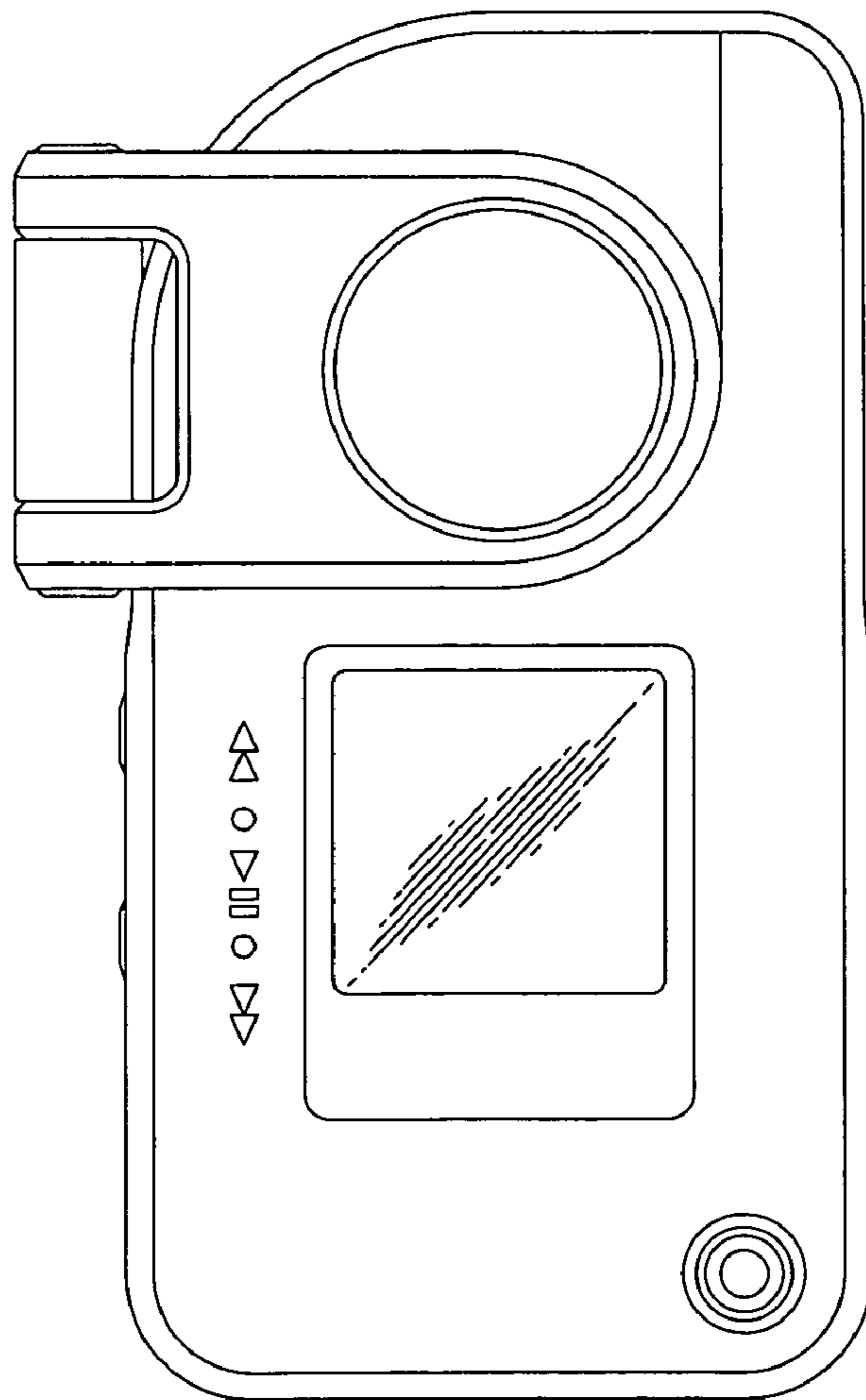


FIG. 10

