



US00D575749S

(12) **United States Design Patent**  
**Hwang et al.**

(10) **Patent No.:** **US D575,749 S**

(45) **Date of Patent:** **\*\* Aug. 26, 2008**

(54) **FAN IMPELLER**

(75) Inventors: **Ching-Bai Hwang**, Taipei Hsien (TW);  
**Jie Zhang**, Shenzhen (CN); **Ran Lin**,  
Shenzhen (CN)

(73) Assignee: **Foxconn Technology Co., Ltd.**,  
Tu-Cheng, Taipei Hsien (TW)

(\*\*) Term: **14 Years**

(21) Appl. No.: **29/282,900**

(22) Filed: **Aug. 1, 2007**

(51) **LOC (8) Cl.** ..... **13-03**

(52) **U.S. Cl.** ..... **D13/179**

(58) **Field of Classification Search** ..... D13/179;  
165/80.3, 104.33, 151, 122, 185; D23/370,  
D23/379, 413; 361/687, 695, 697, 700, 702,  
361/704, 709, 710, 711, 719; 415/204, 206;  
416/182, 185, 186 R

See application file for complete search history.

(56) **References Cited**

**U.S. PATENT DOCUMENTS**

5,554,004 A \* 9/1996 Stewart ..... 416/185  
5,775,878 A \* 7/1998 Maumus et al. .... 416/186 R  
6,540,476 B2 \* 4/2003 Huang et al. .... 415/98  
6,568,907 B2 \* 5/2003 Horng et al. .... 416/185

6,877,954 B2 \* 4/2005 Lin et al. .... 416/175  
D563,544 S \* 3/2008 Hwang et al. .... D23/413  
2003/0217835 A1 \* 11/2003 Lee ..... 165/80.3  
2005/0106024 A1 \* 5/2005 Vasilescu et al. .... 416/185  
2005/0252641 A1 \* 11/2005 Chang ..... 165/80.3  
2008/0011461 A1 \* 1/2008 Hwang et al. .... 165/122  
2008/0017358 A1 \* 1/2008 Hwang et al. .... 165/122  
2008/0056899 A1 \* 3/2008 Jiang et al. .... 416/186 R

\* cited by examiner

*Primary Examiner*—Selina Sikder

(74) *Attorney, Agent, or Firm*—Frank R. Niranjana

(57) **CLAIM**

The ornamental design for a fan impeller, as shown.

**DESCRIPTION**

FIG. 1 is a perspective view of a fan impeller of our new design;

FIG. 2 is a front elevational view thereof;

FIG. 3 is a rear elevational view thereof;

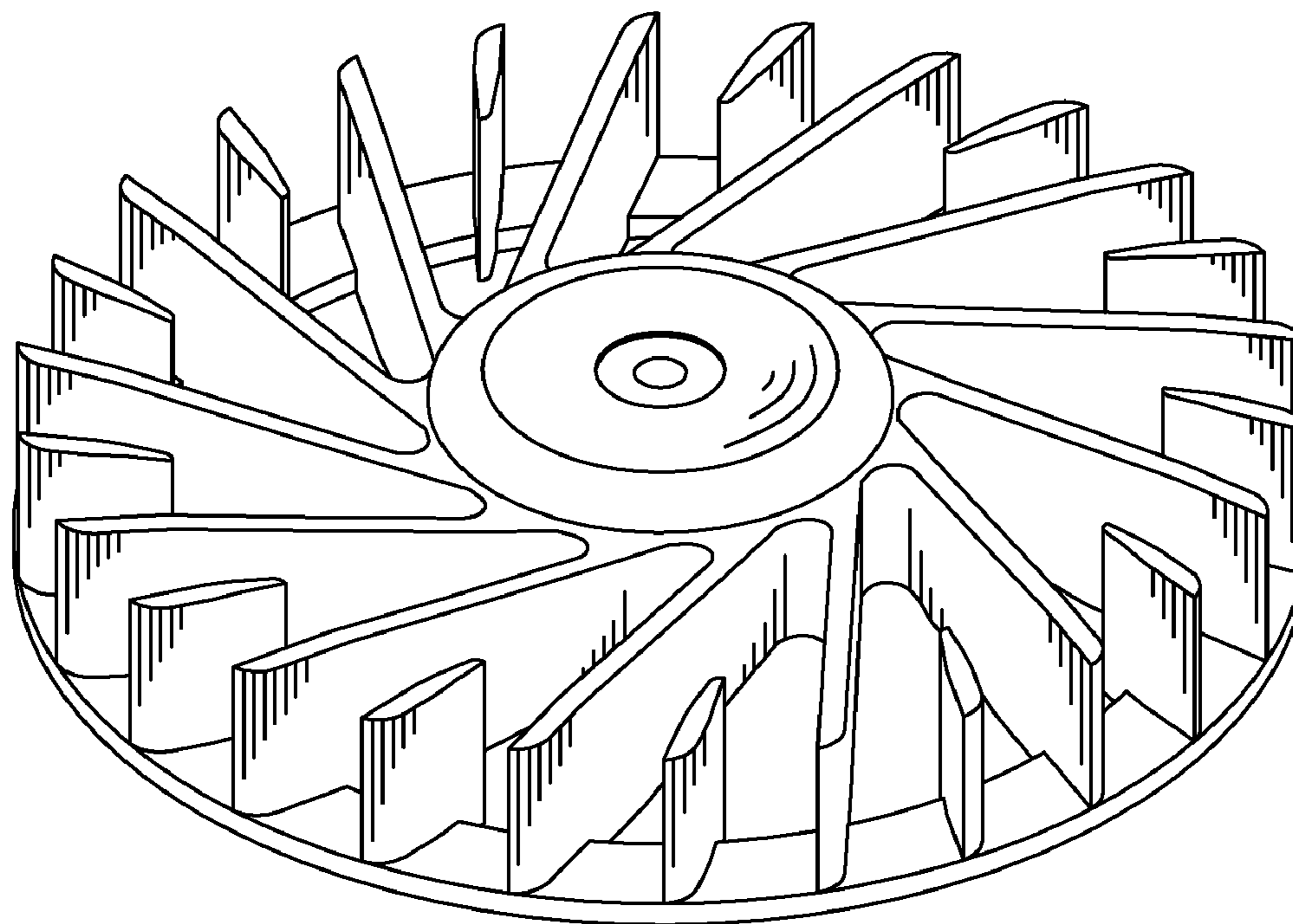
FIG. 4 is a left side elevational view thereof;

FIG. 5 is a right side elevational view thereof;

FIG. 6 is a top plan view thereof; and,

FIG. 7 is a bottom plan view thereof.

**1 Claim, 7 Drawing Sheets**



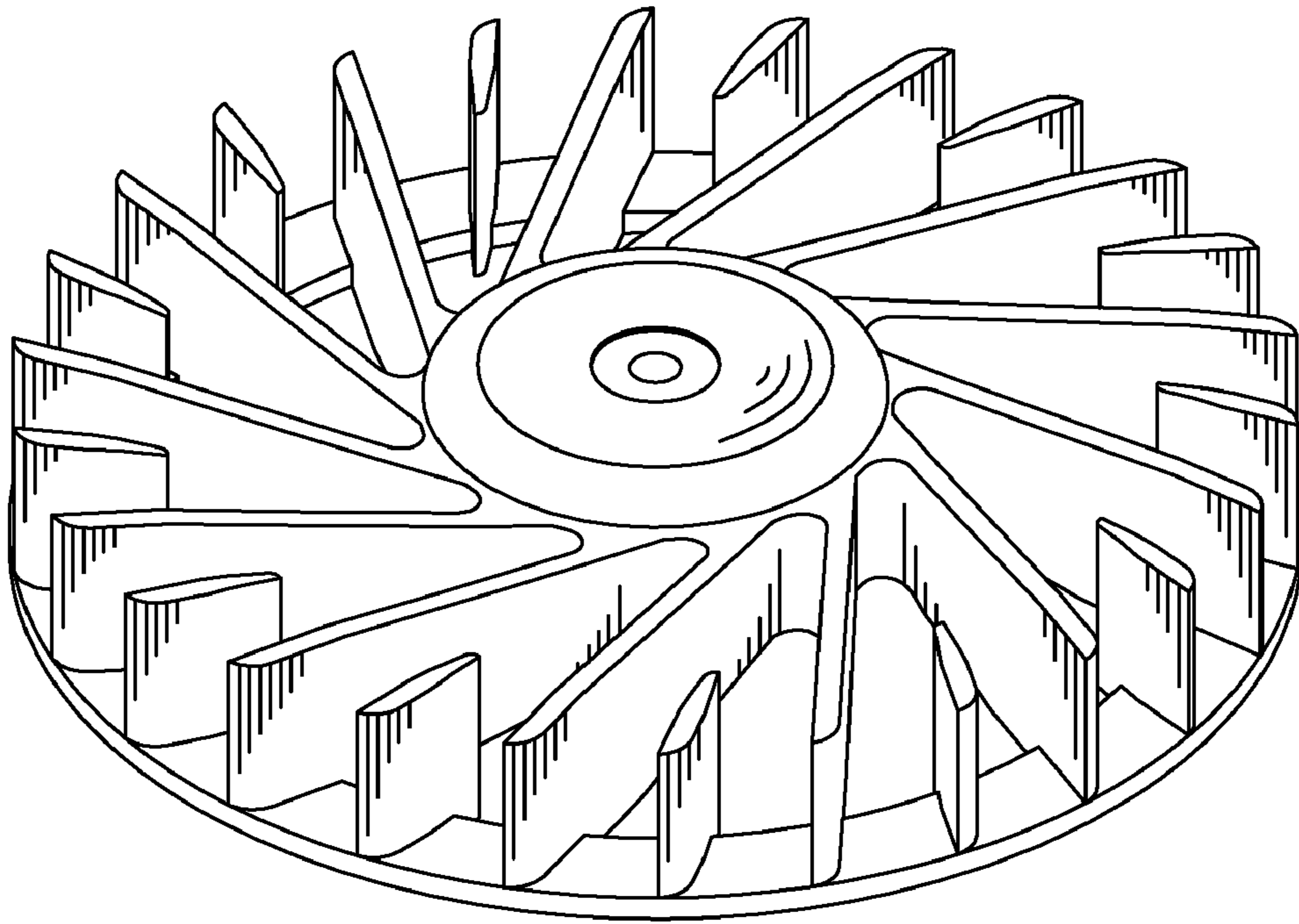


FIG. 1

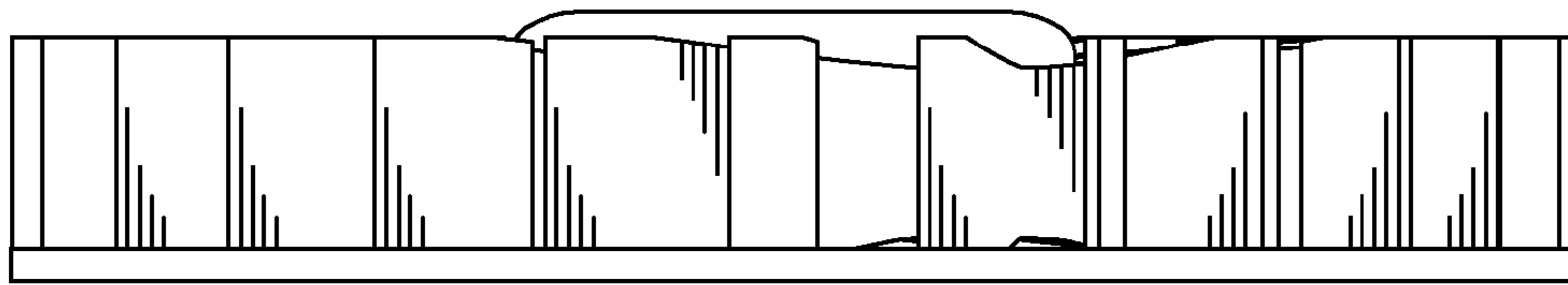


FIG. 2

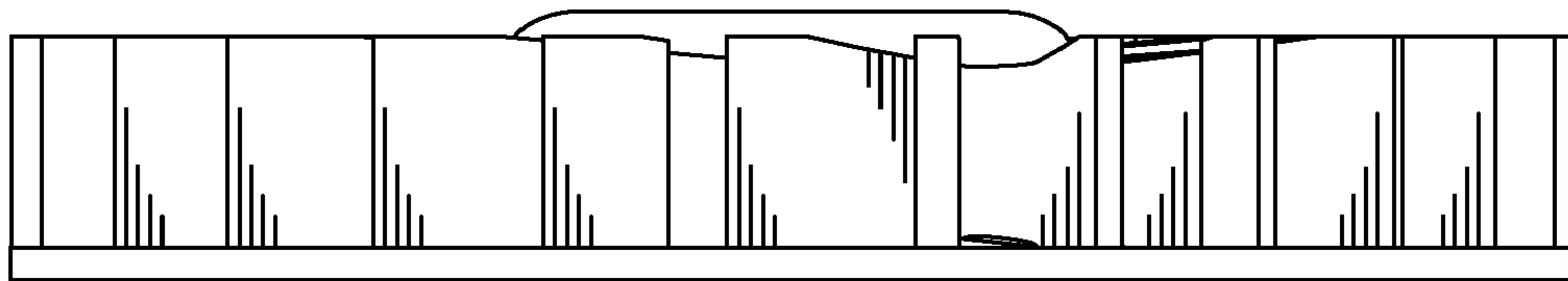


FIG. 3

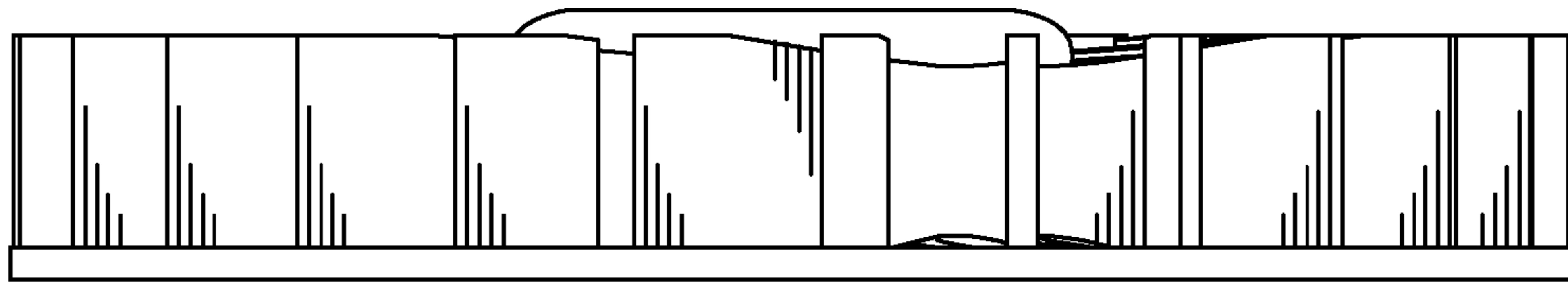


FIG. 4

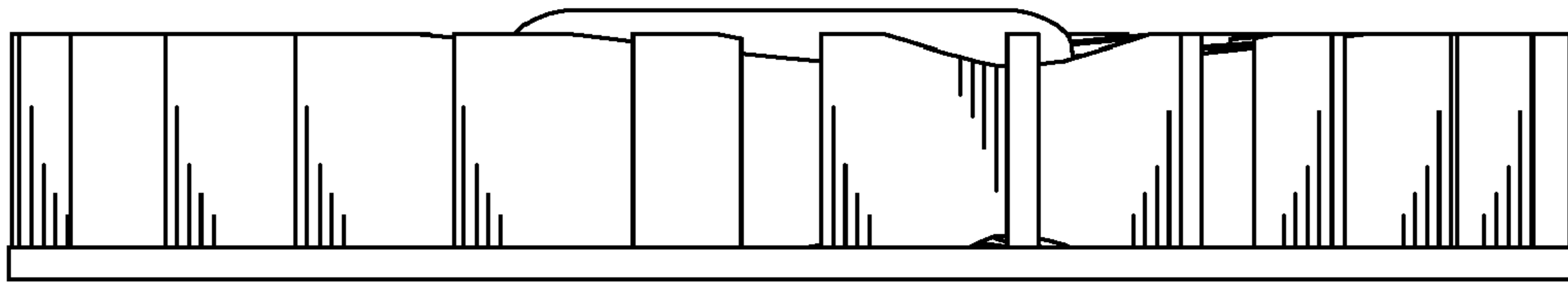


FIG. 5

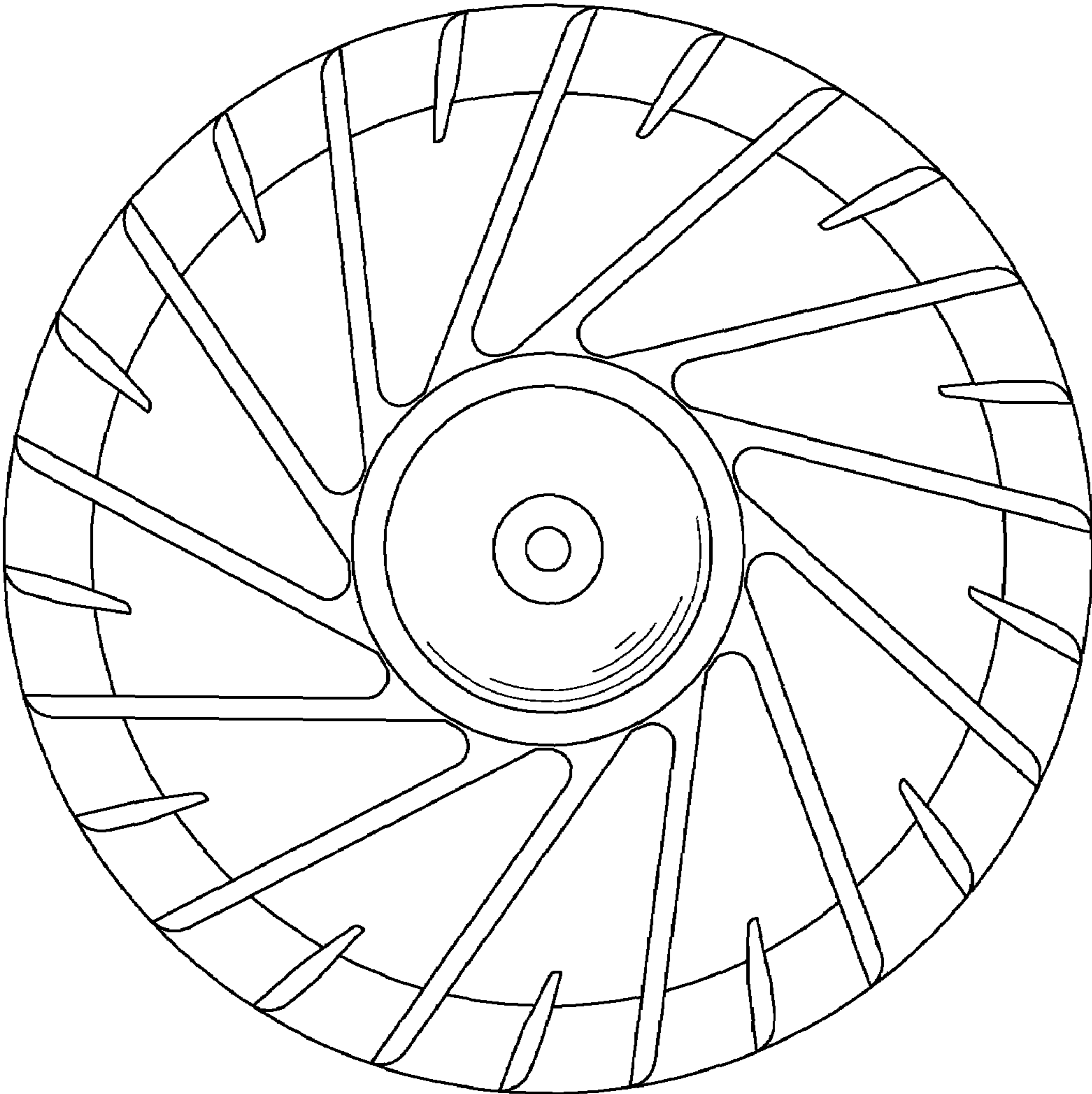


FIG. 6

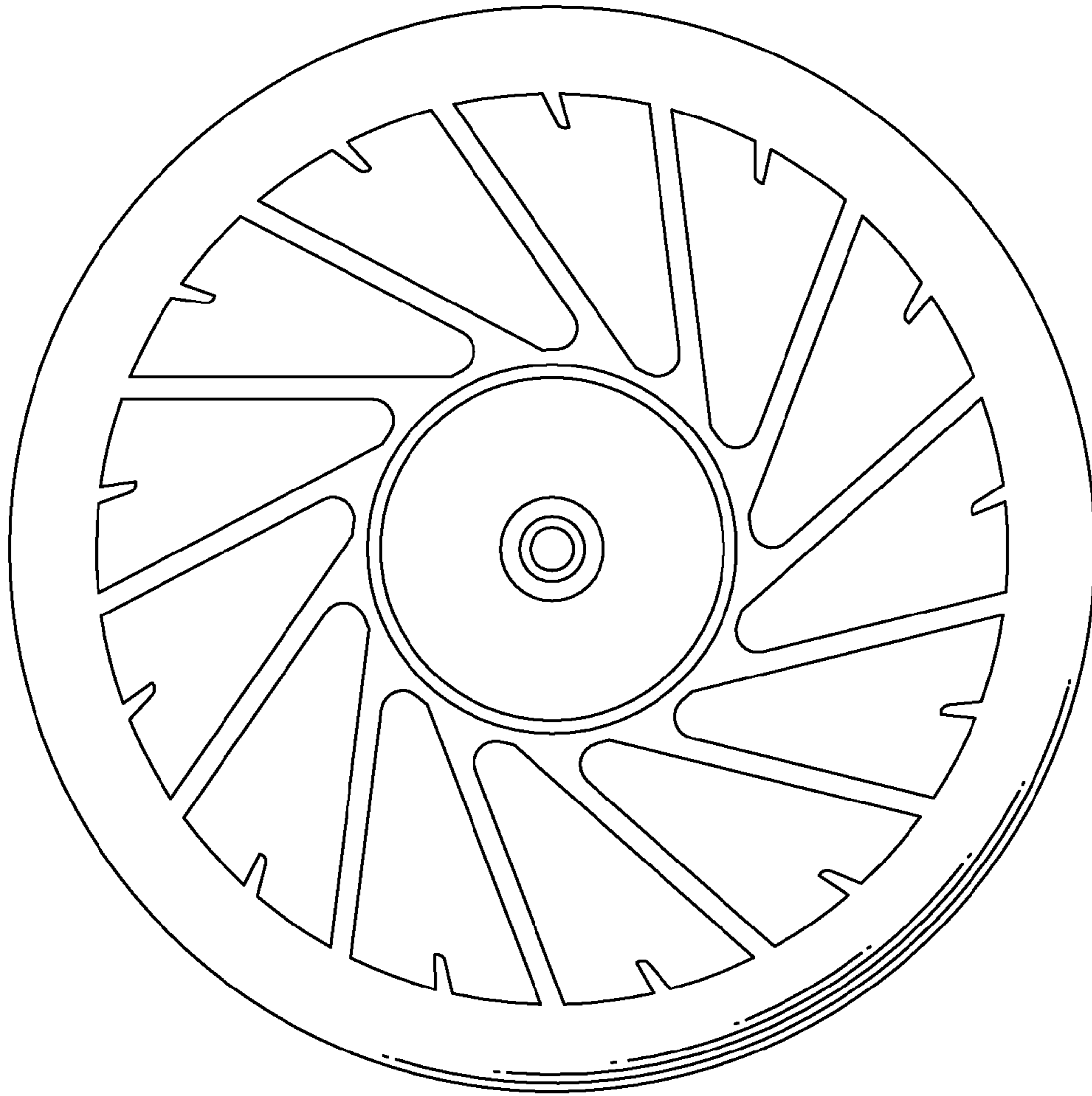


FIG. 7