

US00D575748S

(12) **United States Design Patent**
Youm

(10) **Patent No.:** **US D575,748 S**

(45) **Date of Patent:** **** Aug. 26, 2008**

(54) **PATCH ATTACHED WITH A LOW FREQUENCY GENERATOR**

(76) Inventor: **Hyoun Jik Youm**, Sarang Village, 417 Sang-Dong, Wonmi-Gu, Bucheon-City, Kyungki-Do (KR) 1620-1104

(**) Term: **14 Years**

(21) Appl. No.: **29/272,345**

(22) Filed: **Feb. 7, 2007**

(30) **Foreign Application Priority Data**

Sep. 7, 2006 (KR) 30-2006-0036911

(51) **LOC (8) Cl.** **13-03**

(52) **U.S. Cl.** **D13/171; D13/168**

(58) **Field of Classification Search** D13/108, D13/112, 114, 122, 123, 133, 158, 162, 168, D13/171, 174; D24/200; 607/3, 20, 115, 607/150, 153; 601/95; D10/104, 116, 118
See application file for complete search history.

(56) **References Cited**

U.S. PATENT DOCUMENTS

5,578,065 A * 11/1996 Hattori et al. 607/46
RE36,260 E * 7/1999 Smith et al. 607/75
5,957,951 A * 9/1999 Cazaux et al. 606/204
D415,735 S * 10/1999 Zuege D13/168

6,317,630 B1 * 11/2001 Gross et al. 604/20
D483,281 S * 12/2003 Cobigo D10/104
D490,528 S * 5/2004 Cook et al. D24/200
7,158,834 B2 * 1/2007 Paul, Jr. 607/48
7,336,993 B1 * 2/2008 Szeles 607/2
D563,907 S * 3/2008 Badarello D13/168
2006/0217638 A1 * 9/2006 Park 601/22

* cited by examiner

Primary Examiner—Daniel D Bui

Assistant Examiner—Thomas J Johannes

(74) *Attorney, Agent, or Firm*—Baker & Hostetler LLP

(57) **CLAIM**

The ornamental design for a patch attached with a low frequency generator, as shown and described.

DESCRIPTION

FIG. 1 is a perspective view of a patch attached with a low frequency generator, showing my new design.

FIG. 2 is a front view thereof;

FIG. 3 is a rear view thereof;

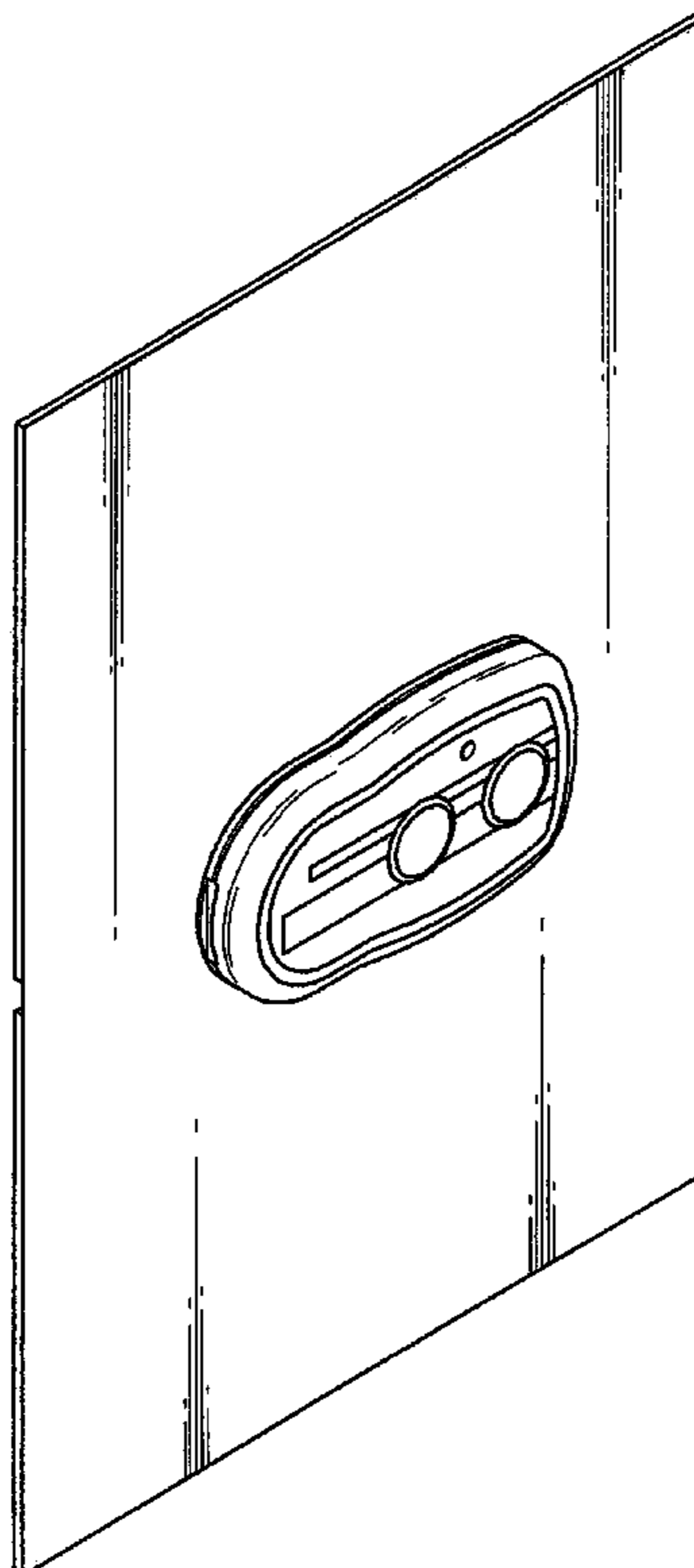
FIG. 4 is a left side view thereof;

FIG. 5 is a right side view thereof;

FIG. 6 is a top view thereof; and,

FIG. 7 is a bottom view thereof.

1 Claim, 7 Drawing Sheets



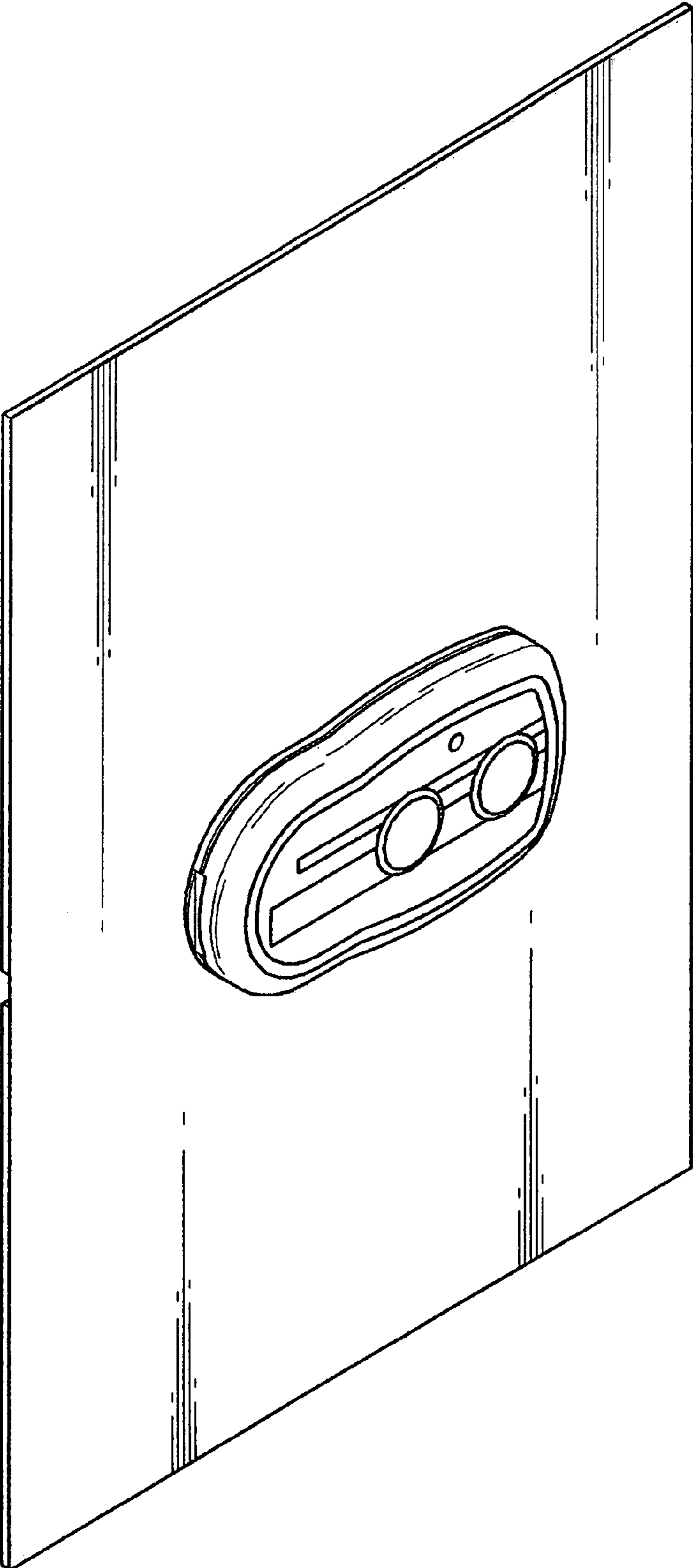


FIG. 1

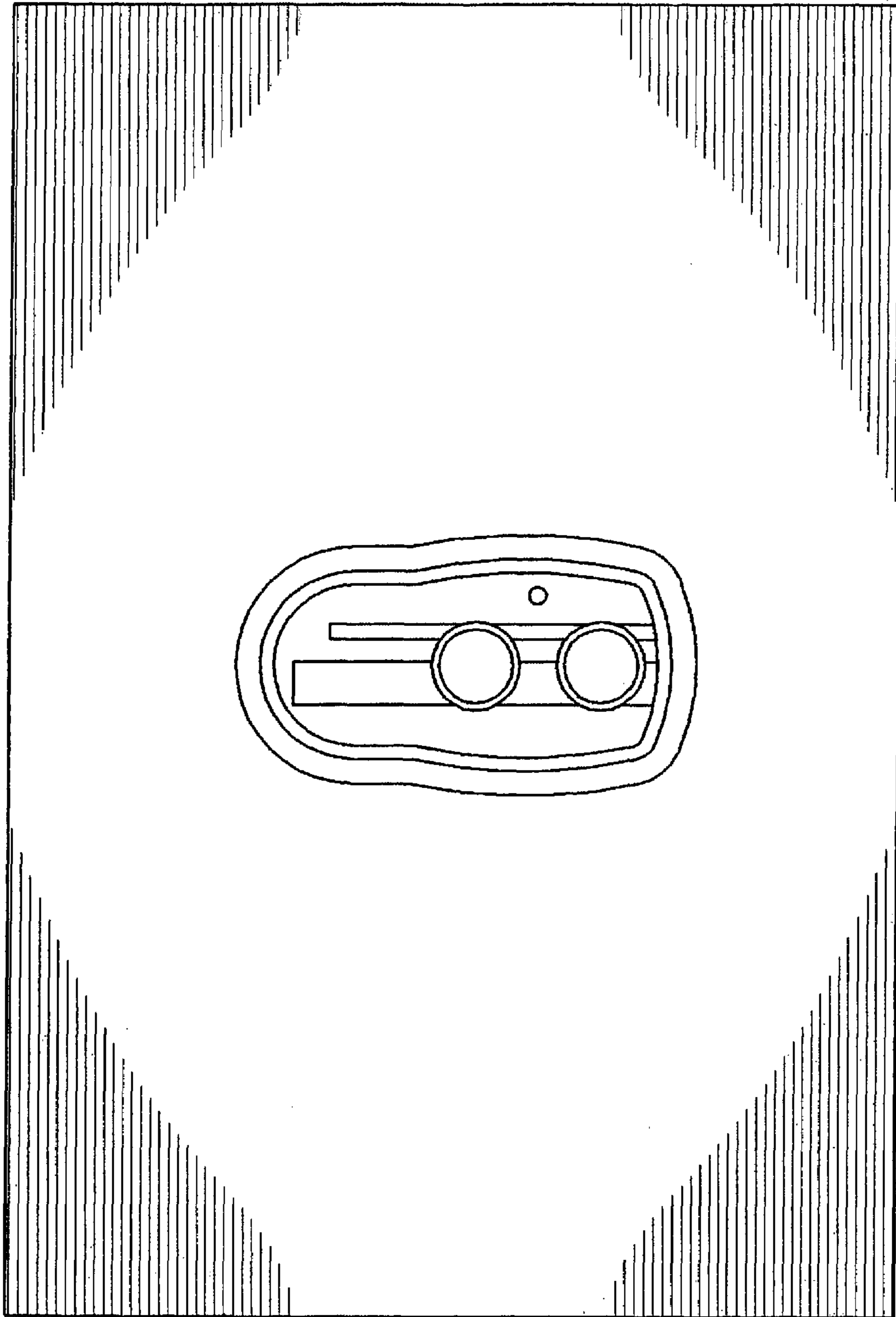


FIG. 2

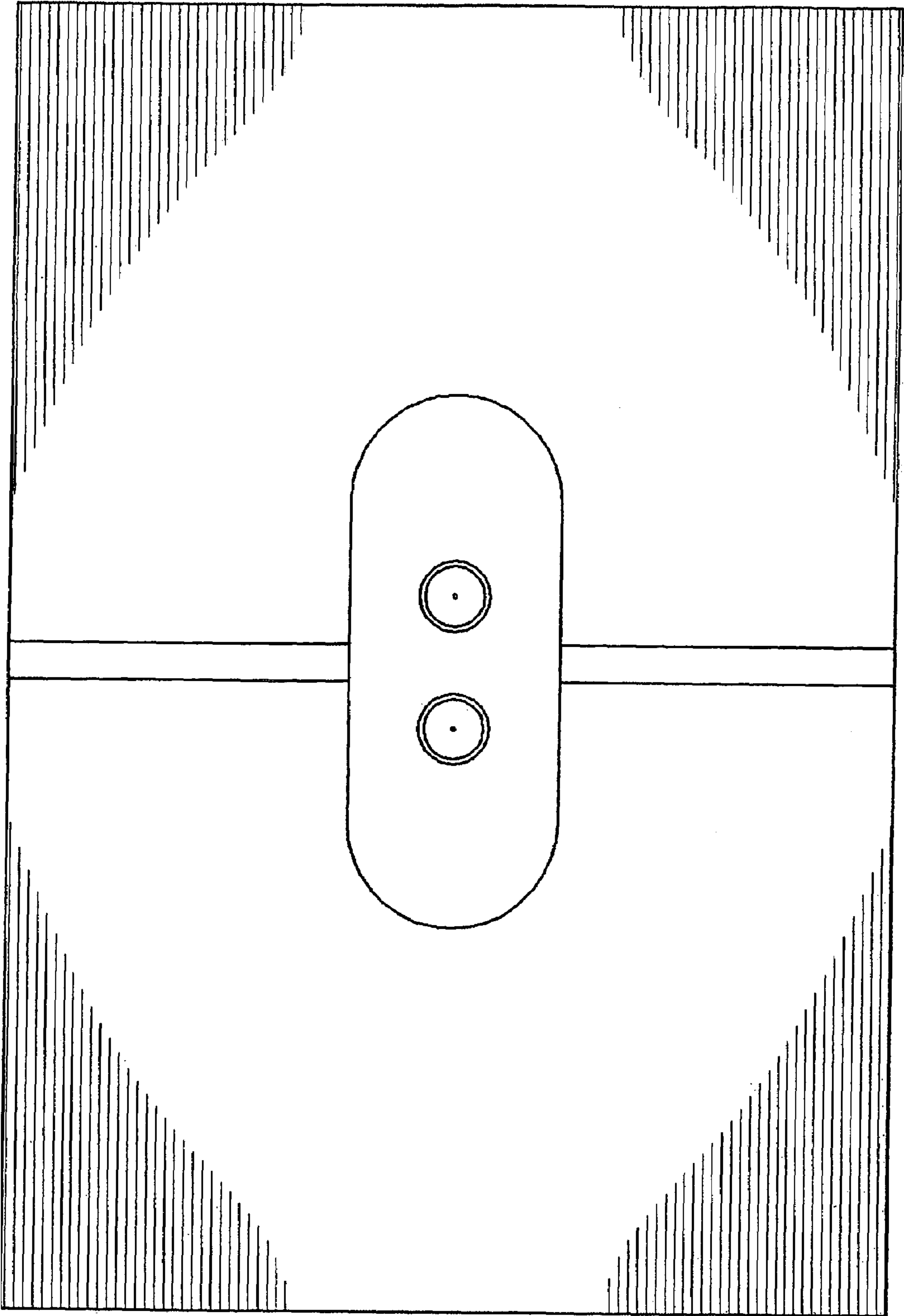


FIG. 3

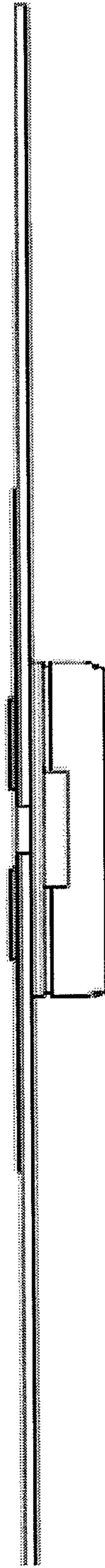


FIG. 4



FIG. 5

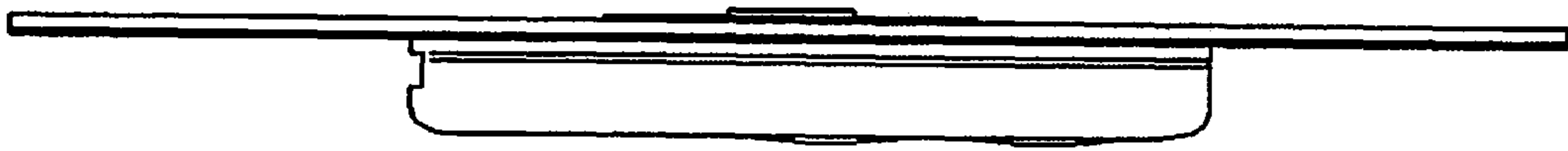


FIG. 6

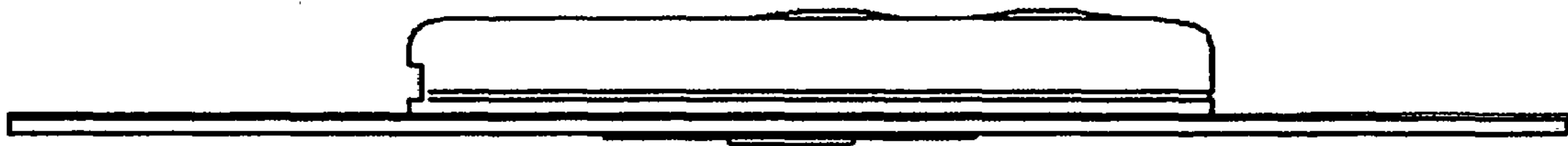


FIG. 7