



US00D575744S

(12) **United States Design Patent**
Amidon

(10) **Patent No.:** **US D575,744 S**

(45) **Date of Patent:** **** Aug. 26, 2008**

(54) **COAX CABLE SEAL**

(75) Inventor: **Jeremy Amidon**, Onondaga, NY (US)

(73) Assignee: **John Mezzalingua Associates Inc.**, E. Syracuse, NY (US)

(**) Term: **14 Years**

(21) Appl. No.: **29/259,541**

(22) Filed: **May 10, 2006**

(51) **LOC (8) Cl.** **13-03**

(52) **U.S. Cl.** **D13/156**

(58) **Field of Classification Search** D13/133,
D13/154, 156, 184; D23/255, 262, 269;
4/324-325, 378, 402-404; 285/363, 392-393,
285/387, 415, 104-105, 354; 277/602, 608;
439/447, 483, 578, 586, 606-610, 668-669,
439/675-676, 892

See application file for complete search history.

(56) **References Cited**

U.S. PATENT DOCUMENTS

D244,533 S * 5/1977 Eidelberg et al. D23/269
D252,703 S * 8/1979 Cupit D23/269
D258,526 S * 3/1981 Nederman D23/262
D347,467 S * 5/1994 Medvick D23/262

D374,710 S * 10/1996 Gustafsson D23/269
D383,378 S * 9/1997 Schrader et al. D23/262
D439,637 S * 3/2001 Davies D23/262
D480,454 S * 10/2003 Filer D23/262
D514,671 S * 2/2006 Jones D23/269
D567,182 S * 4/2008 Victor D13/156

* cited by examiner

Primary Examiner—Brian N Vinson

(57) **CLAIM**

The ornamental design for a coax cable seal, as shown and described.

DESCRIPTION

FIG. 1 presents a perspective view of my new coax cable seal design.

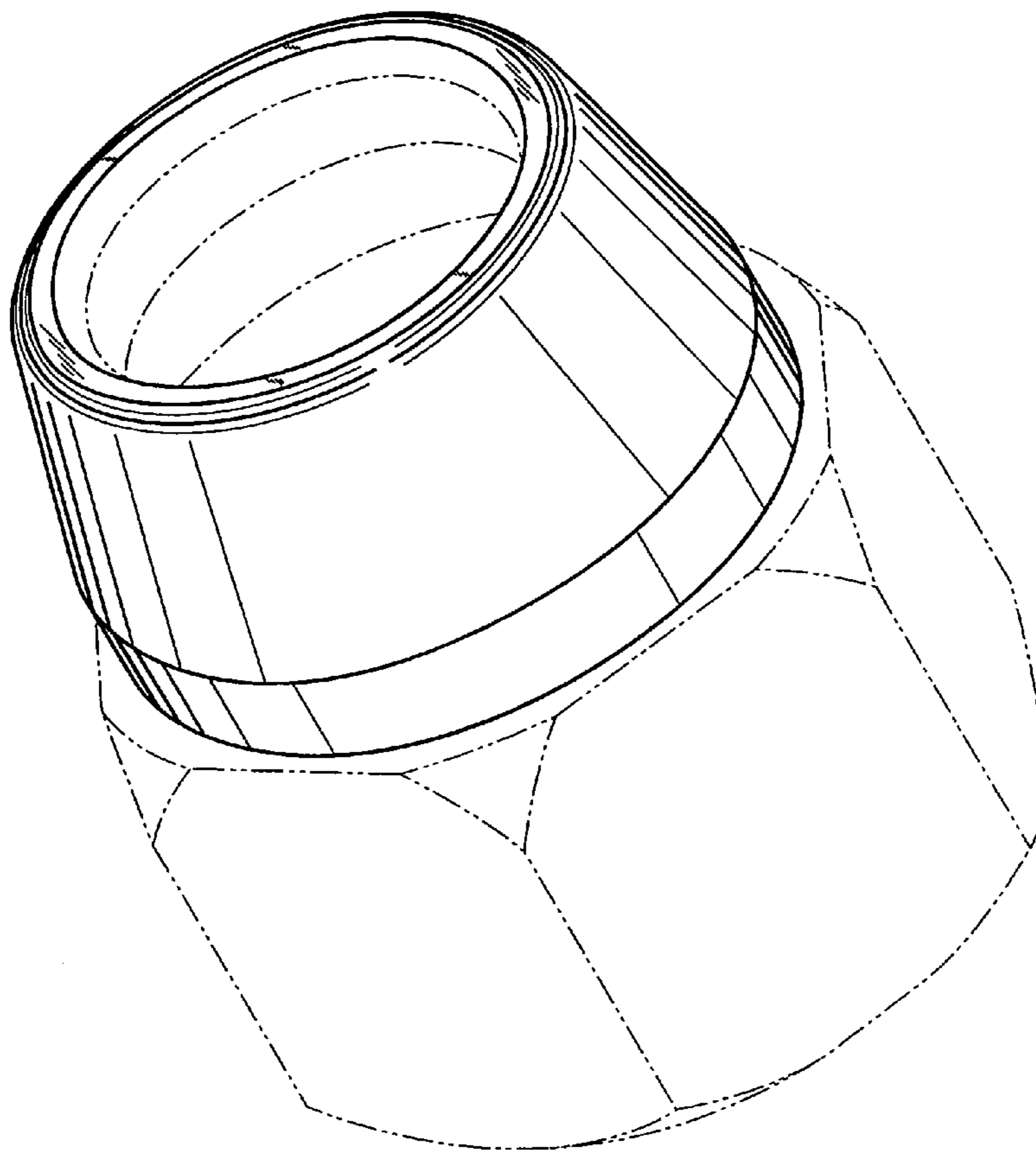
FIG. 2 presents top plan view of the coax cable seal illustrated in FIG. 1.

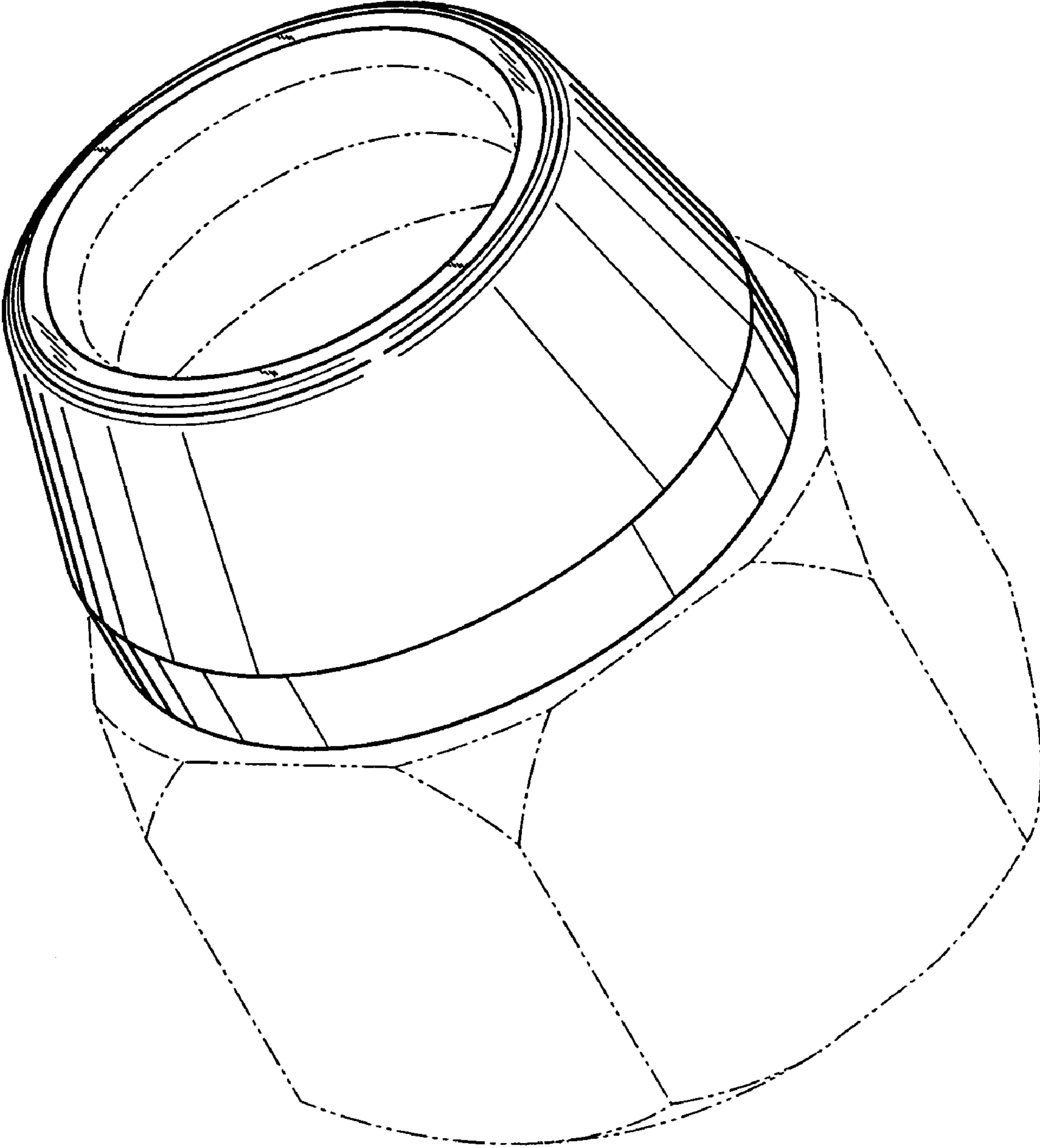
FIG. 3 presents an elevational view of the coax cable seal illustrated in FIG. 1; and,

FIG. 4 presents a bottom view of the coax cable seal illustrated in FIG. 1.

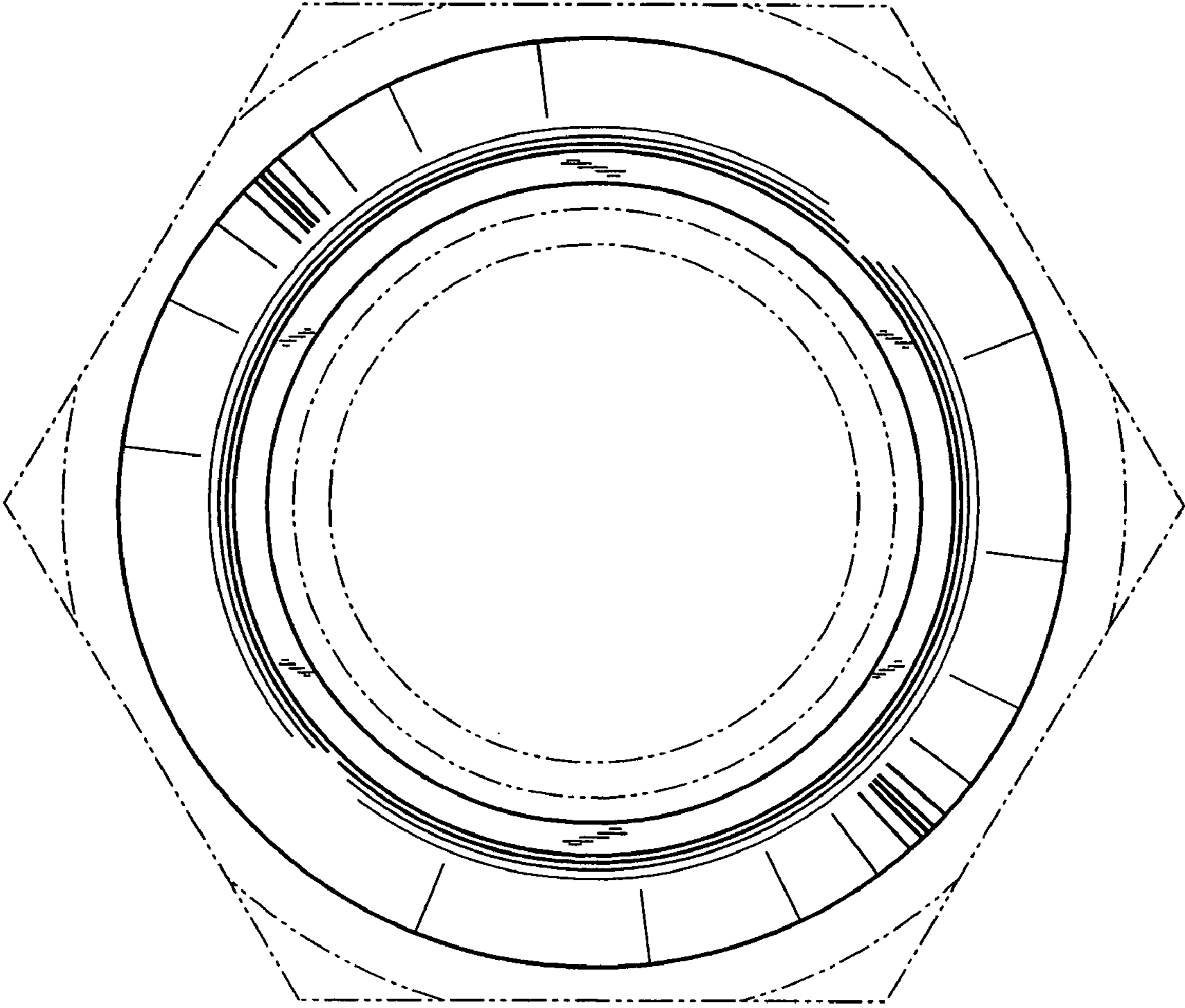
The broken lines in the drawings are for illustrative purposes only and form no part of the claimed design.

1 Claim, 4 Drawing Sheets

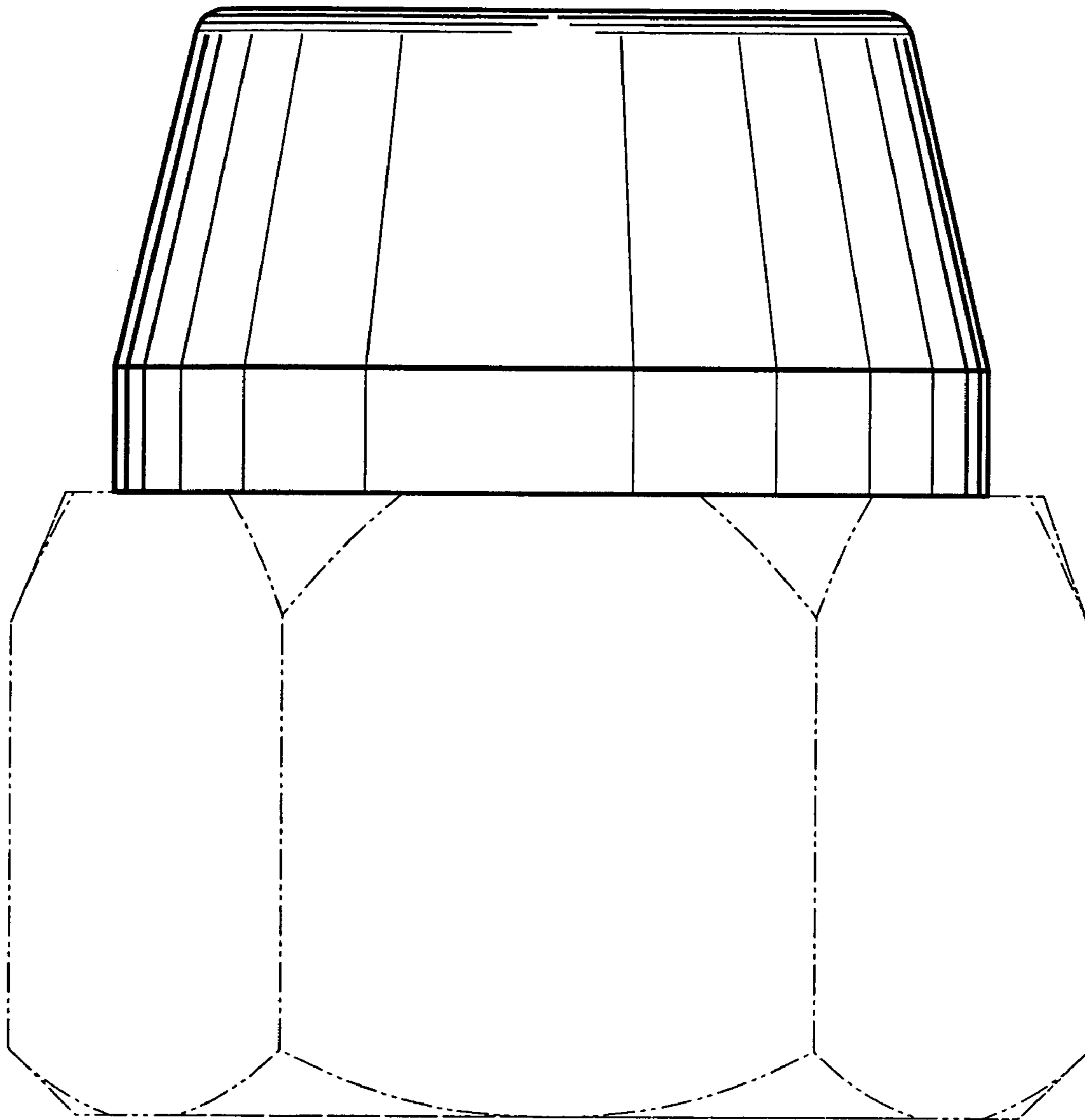




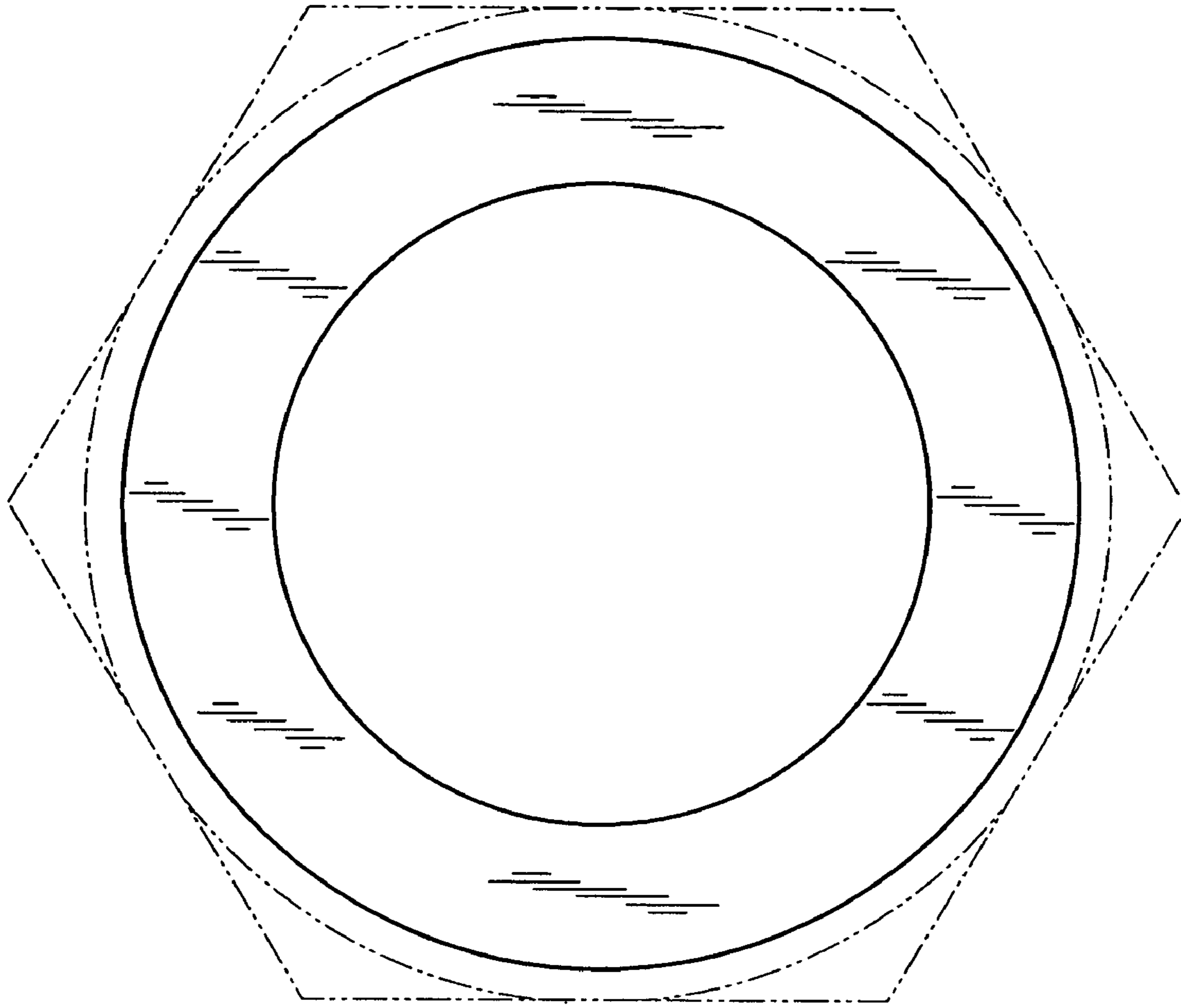
—FIG. 1



—FIG. 2



—FIG. 3



—FIG. 4