

US00D575742S

(12) **United States Design Patent**
Scherer et al.

(10) **Patent No.:** **US D575,742 S**

(45) **Date of Patent:** **** Aug. 26, 2008**

(54) **HERMAPHRODITIC ELECTRICAL CONNECTOR**

(75) Inventors: **Richard J. Scherer**, Austin, TX (US);
Jess A. Mann, Austin, TX (US); **Jerome P. Dattilo**, Cedar Park, TX (US);
Michael L. Black, Cedar Park, TX (US)

(73) Assignee: **3M Innovative Properties Company**,
St. Paul, MN (US)

(**) Term: **14 Years**

(21) Appl. No.: **29/247,987**

(22) Filed: **Jul. 24, 2006**

(51) **LOC (8) Cl.** **13-03**

(52) **U.S. Cl.** **D13/134**

(58) **Field of Classification Search** D13/133,
D13/134, 136, 146, 147, 154, 184, 199; D26/24,
D26/113; 313/318.01, 318.02, 318.03, 318.05,
313/318.12; 362/260; 439/168, 220, 226,
439/280, 291, 375, 378, 379, 419, 602, 626,
439/639, 649

See application file for complete search history.

(56) **References Cited**

U.S. PATENT DOCUMENTS

D184,294	S	*	1/1959	Swan	D13/146
3,953,099	A	*	4/1976	Wilson	439/205
4,990,099	A		2/1991	Marin et al.		
5,120,268	A	*	6/1992	Gerrans	439/736
D331,912	S	*	12/1992	Syck	D13/146
5,180,316	A	*	1/1993	Miller et al.	439/610
5,219,303	A		6/1993	Daly et al.		
5,417,585	A	*	5/1995	Morin et al.	439/488
5,429,524	A	*	7/1995	Wakata et al.	439/310

5,538,435	A		7/1996	Yohn		
D381,628	S	*	7/1997	Ashida	D13/147
D412,312	S	*	7/1999	Myers	D13/146
6,165,013	A	*	12/2000	Broussard	439/606
D462,662	S	*	9/2002	Lindekugel	D13/146
D465,458	S	*	11/2002	Zhang et al.	D13/147
D478,870	S	*	8/2003	Fang	D13/147
7,063,570	B1		6/2006	Coyle et al.		
D547,724	S	*	7/2007	Ciancanelli et al.	D13/134
D547,725	S	*	7/2007	Ciancanelli et al.	D13/134
D551,624	S	*	9/2007	Ciancanelli et al.	D13/136
D553,569	S	*	10/2007	Ciancanelli et al.	D13/136
2008/0020649	A1	*	1/2008	Scherer et al.	439/639
2008/0076281	A1	*	3/2008	Ciancanelli et al.	439/133

* cited by examiner

Primary Examiner—Daniel D Bui

(74) *Attorney, Agent, or Firm*—Melanie G. Gover

(57) **CLAIM**

The ornamental design for a hermaphroditic electrical connector, as shown and described.

DESCRIPTION

FIG. 1 is a perspective view of a hermaphroditic electrical connector showing our new design;

FIG. 2 is a right side view thereof;

FIG. 3 is a top side view thereof;

FIG. 4 is a bottom side view thereof;

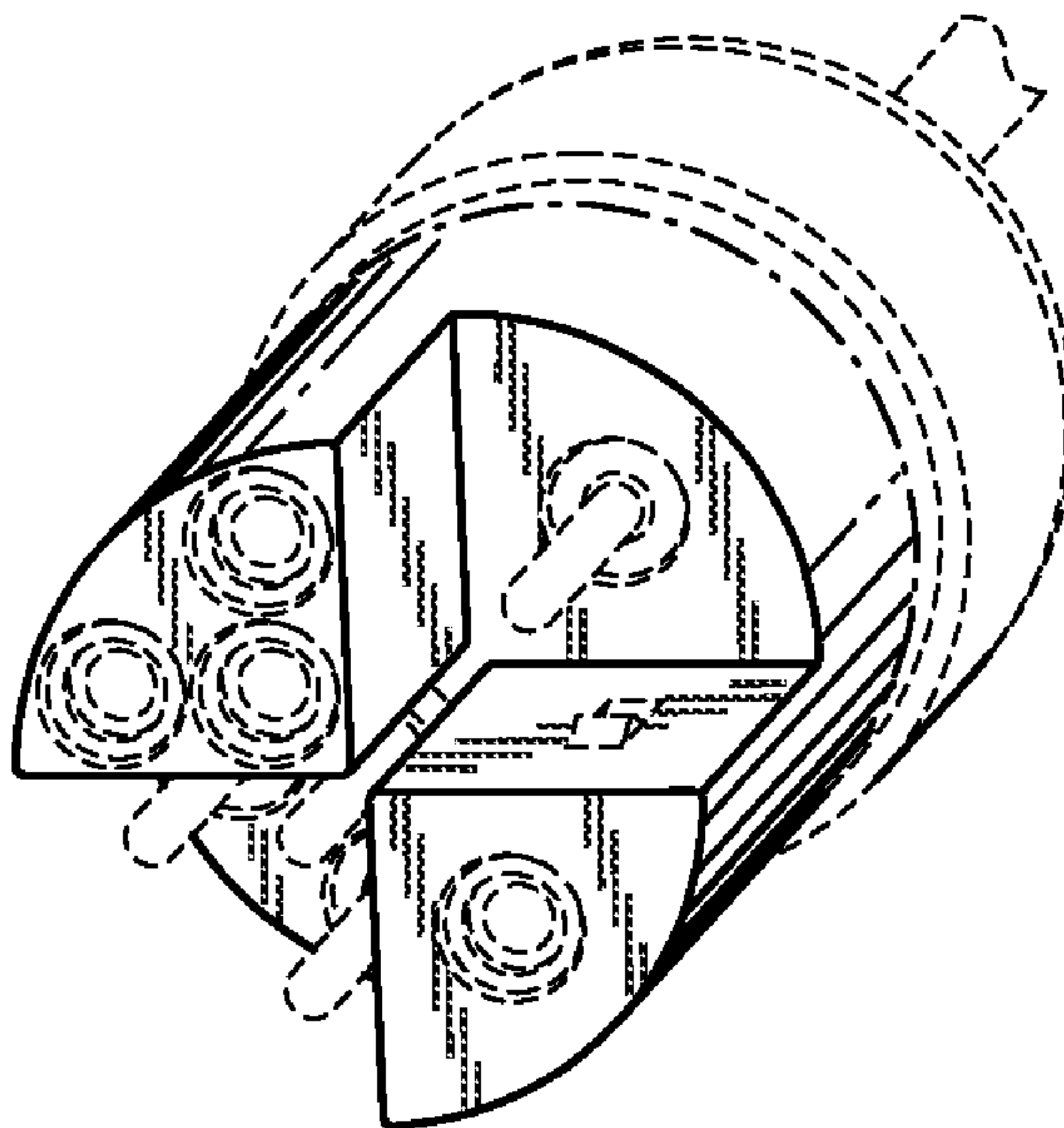
FIG. 5 is a left side view thereof;

FIG. 6 is a front side view thereof; and,

FIG. 7 is a back side view thereof.

The broken line showing of the environment is for illustrative purposes only and forms no part of the claimed design.

1 Claim, 2 Drawing Sheets



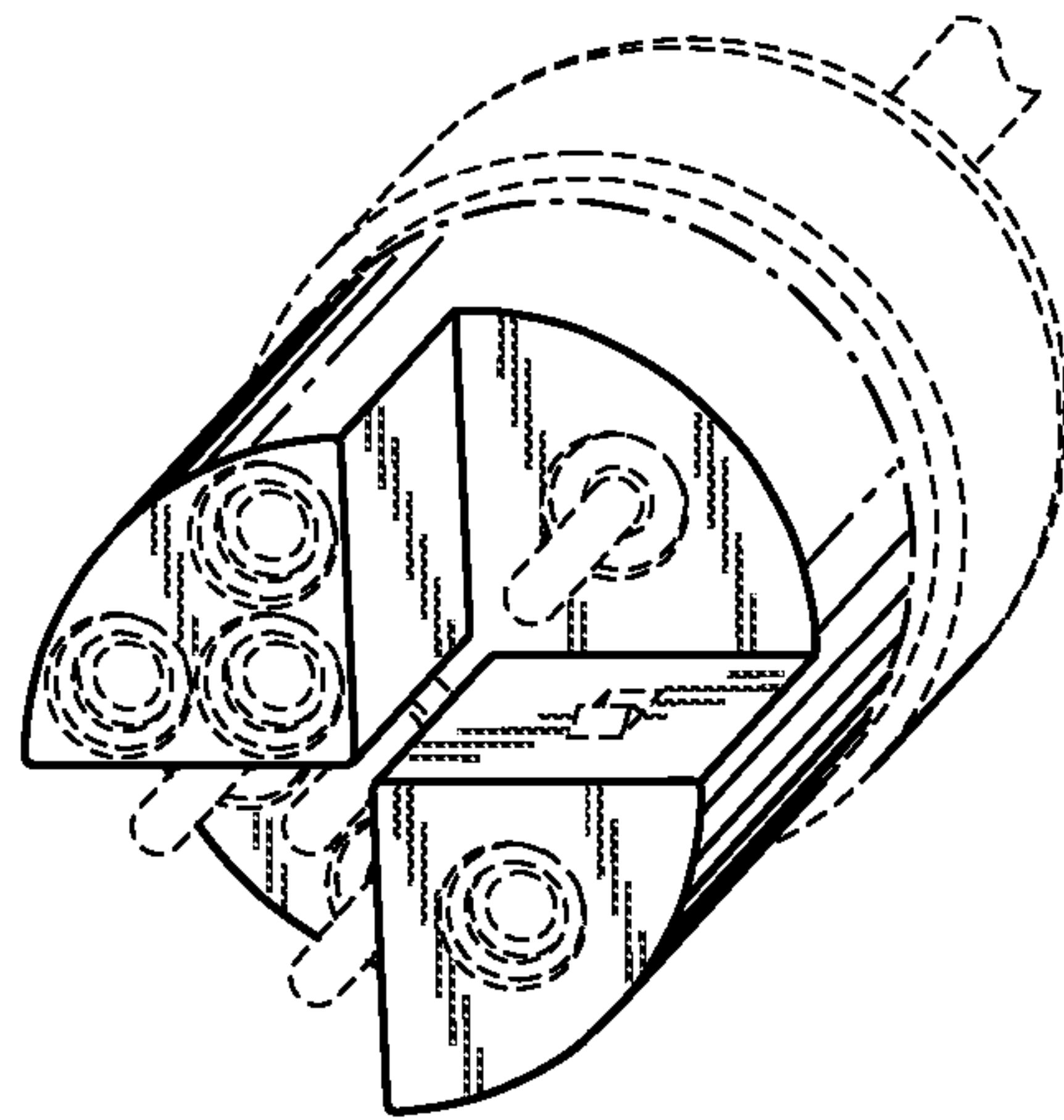


FIG. 1

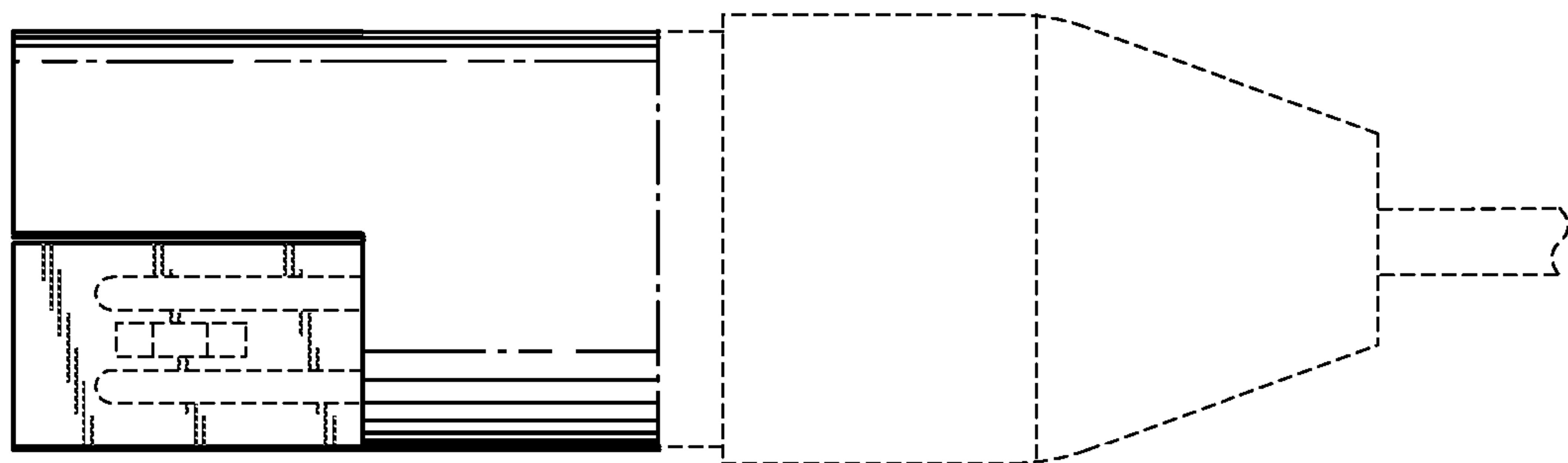


FIG. 2

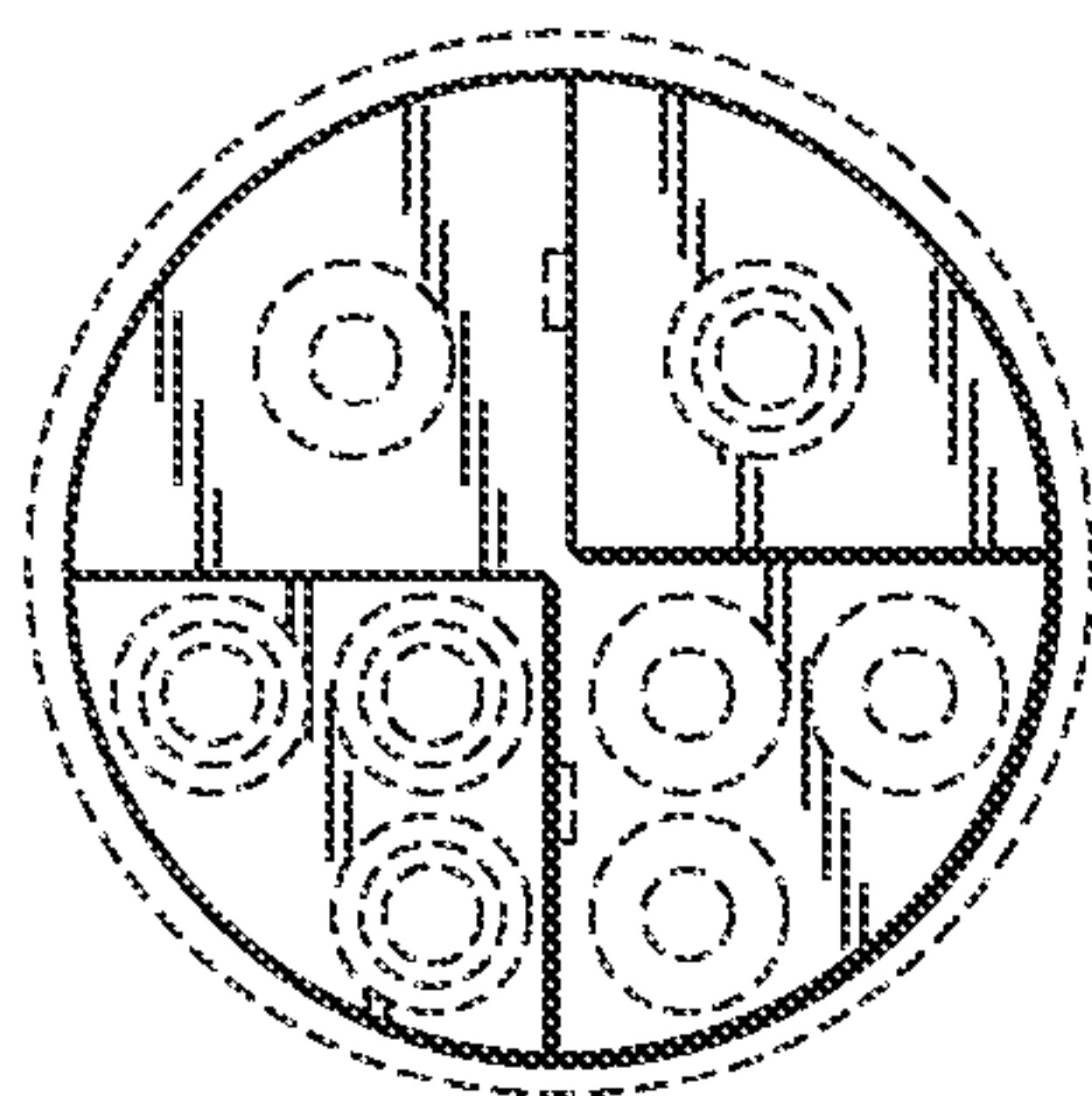


FIG. 3

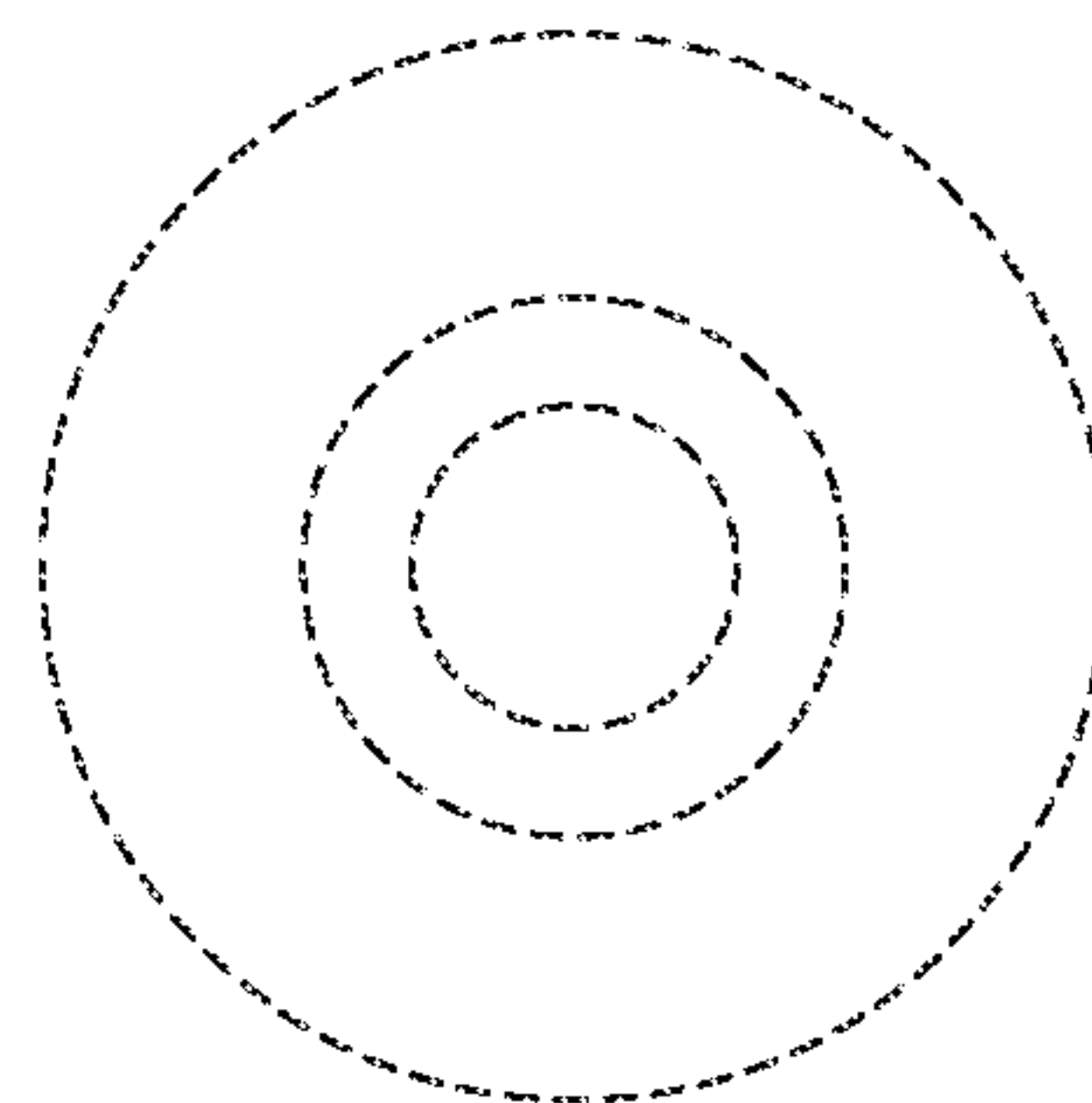


FIG. 4

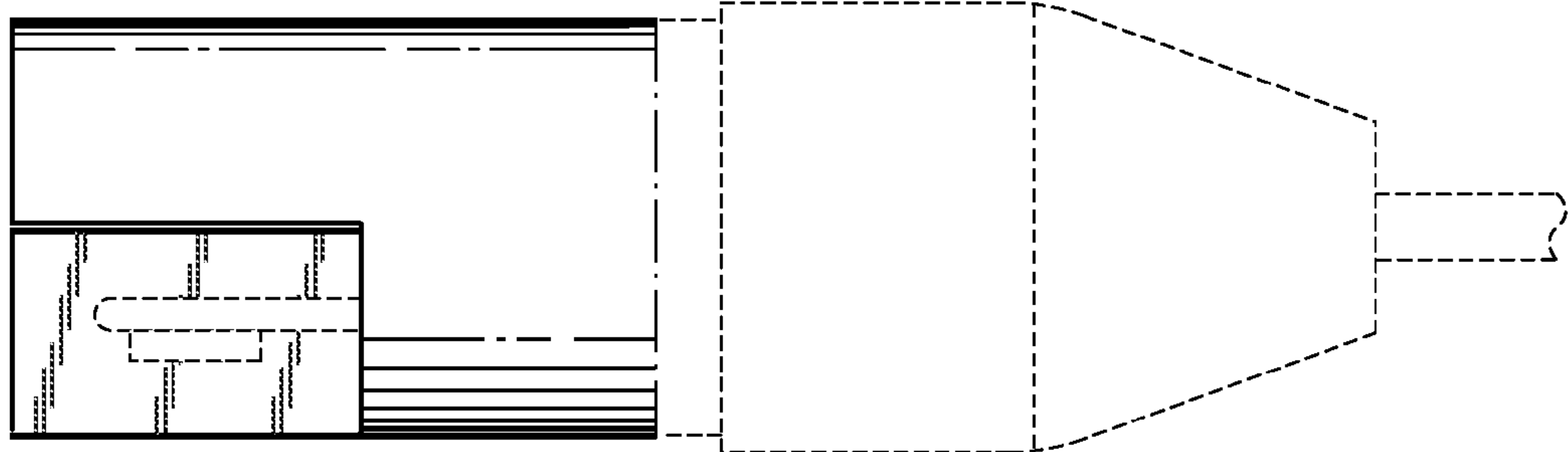


FIG. 5

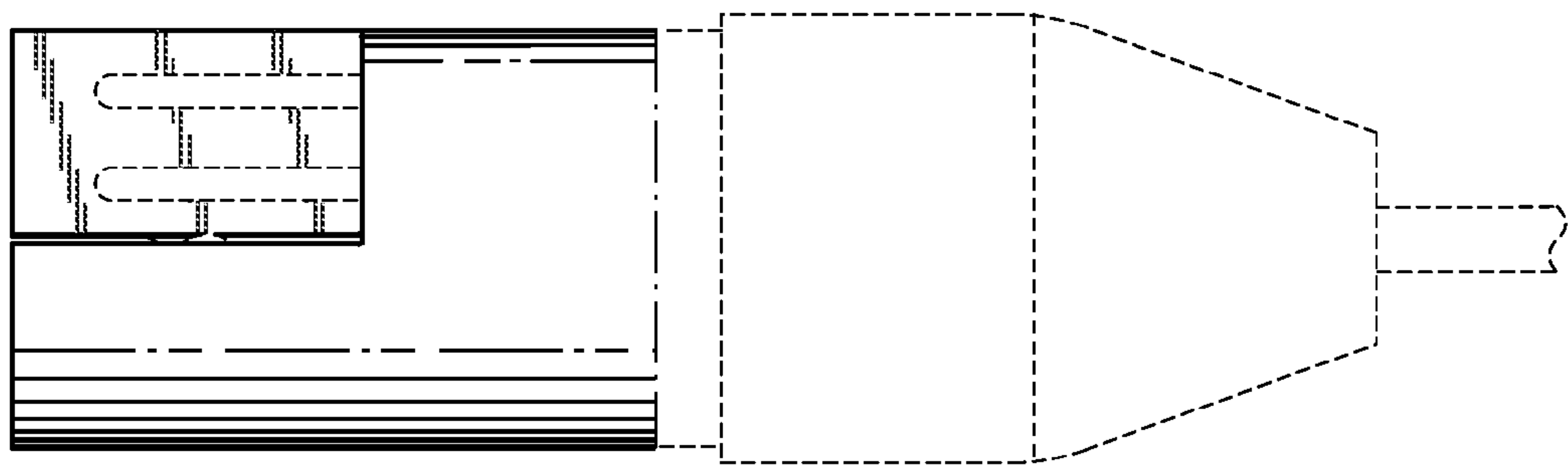


FIG. 6

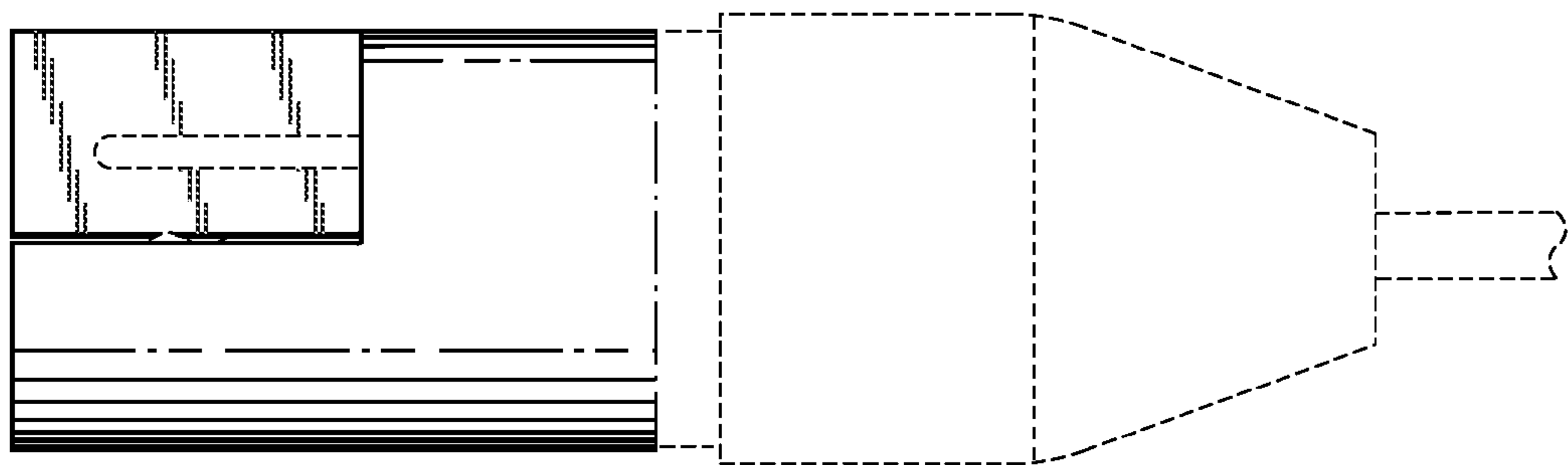


FIG. 7