



US00D575741S

(12) **United States Design Patent**
Yamane

(10) **Patent No.:** **US D575,741 S**
(45) **Date of Patent:** **** Aug. 26, 2008**

(54) **ELECTRICAL CONNECTOR**

(75) Inventor: **Masahiro Yamane**, Tokyo (JP)

(73) Assignee: **Hirose Electric Co., Ltd.**, Tokyo (JP)

(**) Term: **14 Years**

(21) Appl. No.: **29/290,004**

(22) Filed: **Oct. 10, 2007**

(30) **Foreign Application Priority Data**

Apr. 10, 2007 (JP) 2007-009524

(51) **LOC (8) Cl.** **13-03**

(52) **U.S. Cl.** **D13/133**

(58) **Field of Classification Search** D13/133,
D13/146, 147, 151, 154, 184, 199; 439/63,
439/350, 581, 582, 585, 732, 842, 852, 854-857
See application file for complete search history.

(56) **References Cited**

U.S. PATENT DOCUMENTS

D447,117 S *	8/2001	Ko	D13/133
6,305,980 B2 *	10/2001	Ko	439/582
6,361,383 B1 *	3/2002	Ko	439/856
6,435,908 B1 *	8/2002	Ko	439/585
6,572,407 B1 *	6/2003	Ko	439/582
D535,619 S *	1/2007	Nagata	D13/133
2005/0239328 A1 *	10/2005	Nagata et al.	439/582
2006/0084314 A1 *	4/2006	Takizawa	439/352

2008/0096420 A1* 4/2008 Zeng 439/582

* cited by examiner

Primary Examiner—Daniel D Bui

Assistant Examiner—Thomas J Johannes

(74) *Attorney, Agent, or Firm*—Kubotera & Associates, LLC

(57) **CLAIM**

The ornamental design for an electrical connector, as shown and described.

DESCRIPTION

FIG. 1 is a perspective view of an electrical connector showing our new design;

FIG. 2 is a perspective view thereof viewed from a bottom side thereof;

FIG. 3 is a front view thereof;

FIG. 4 is a rear view thereof;

FIG. 5 is a right side view thereof, a left side view being symmetrical to the right side view;

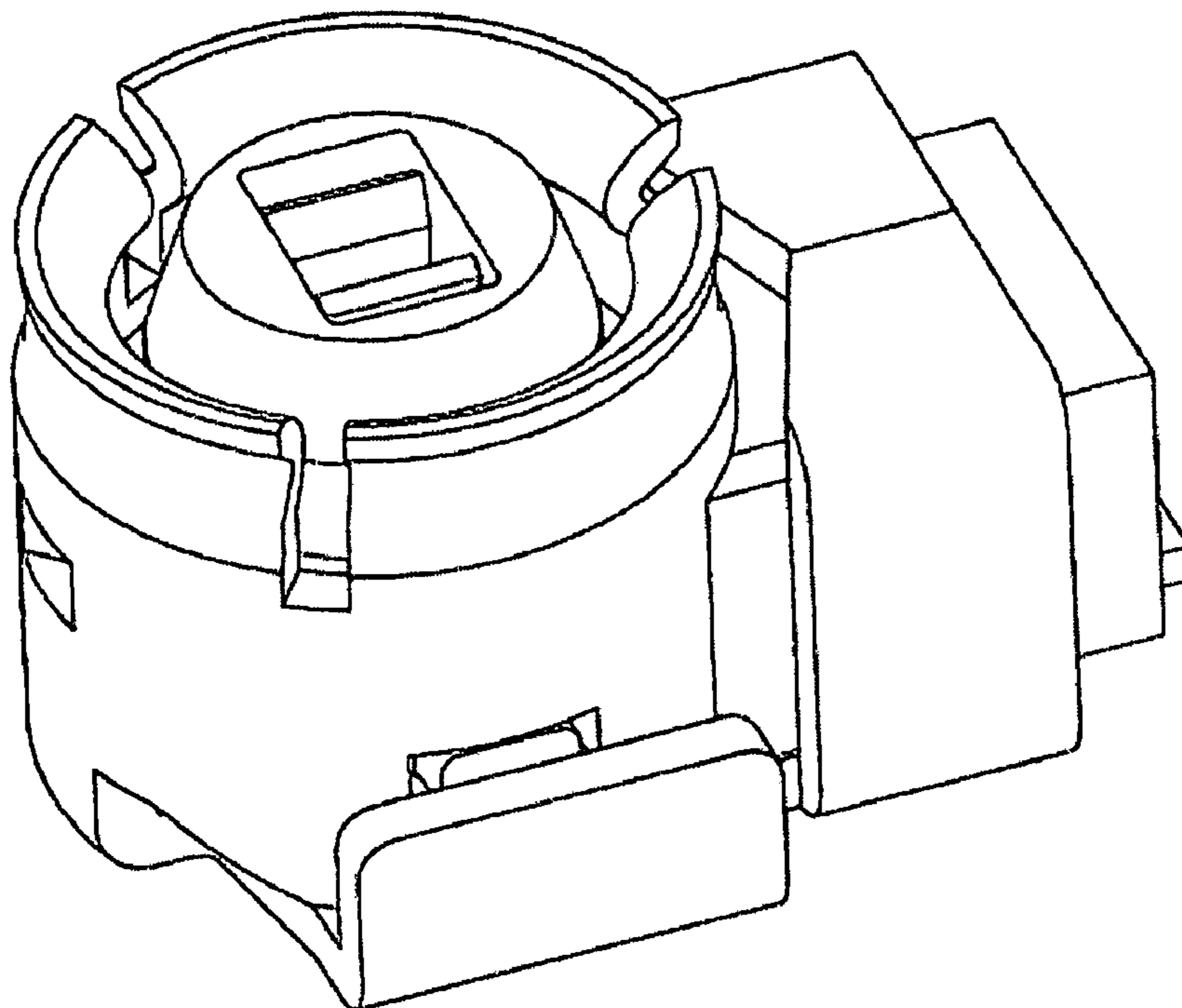
FIG. 6 is a plan view thereof;

FIG. 7 is a bottom view thereof; and,

FIG. 8 is a sectional view thereof taken along a line 8—8 in FIG. 3.

The broken line portion of the figure drawings is included to show unclaimed subject matter only and forms no part of the claimed design.

1 Claim, 5 Drawing Sheets



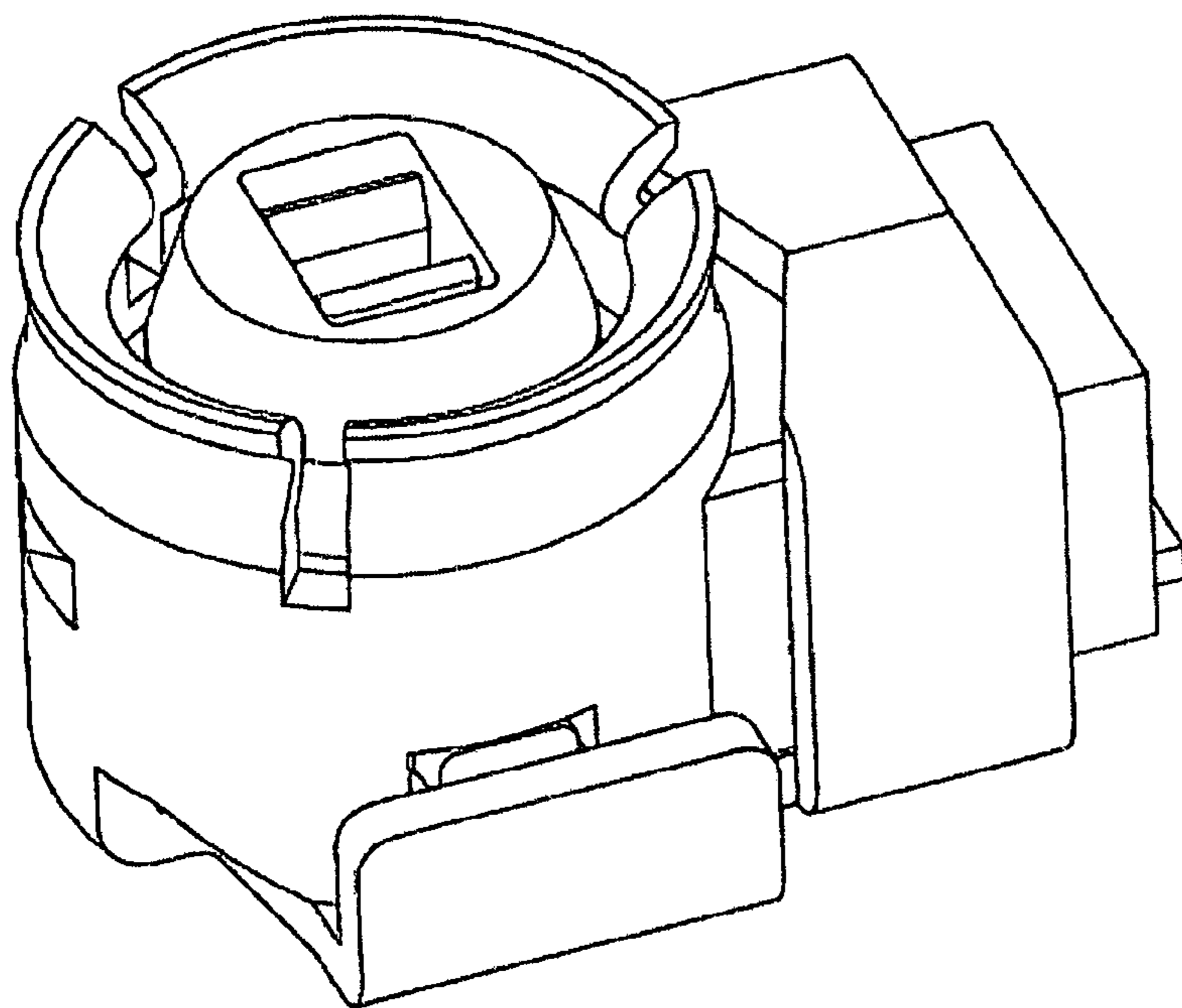


FIG. 1

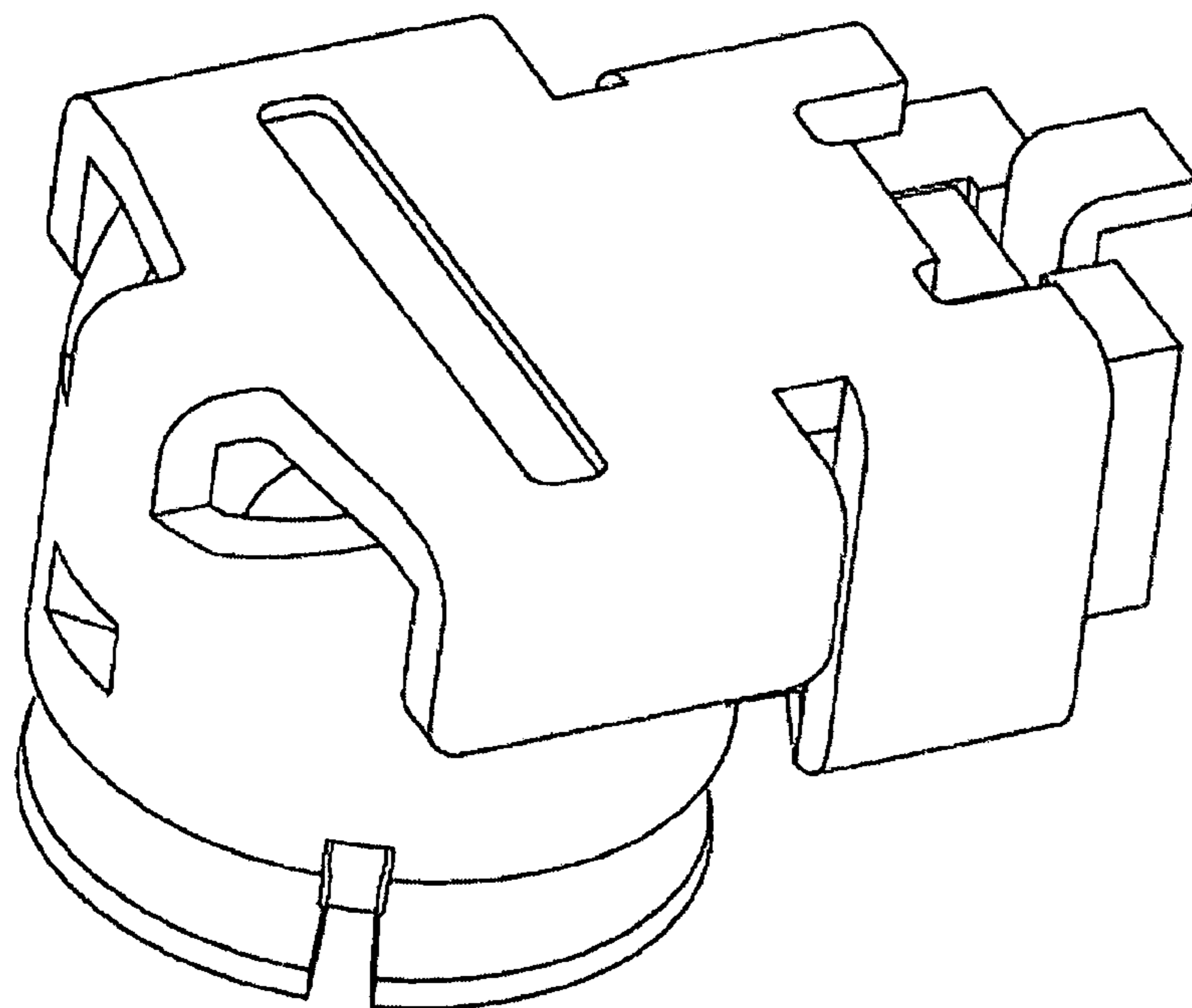


FIG. 2

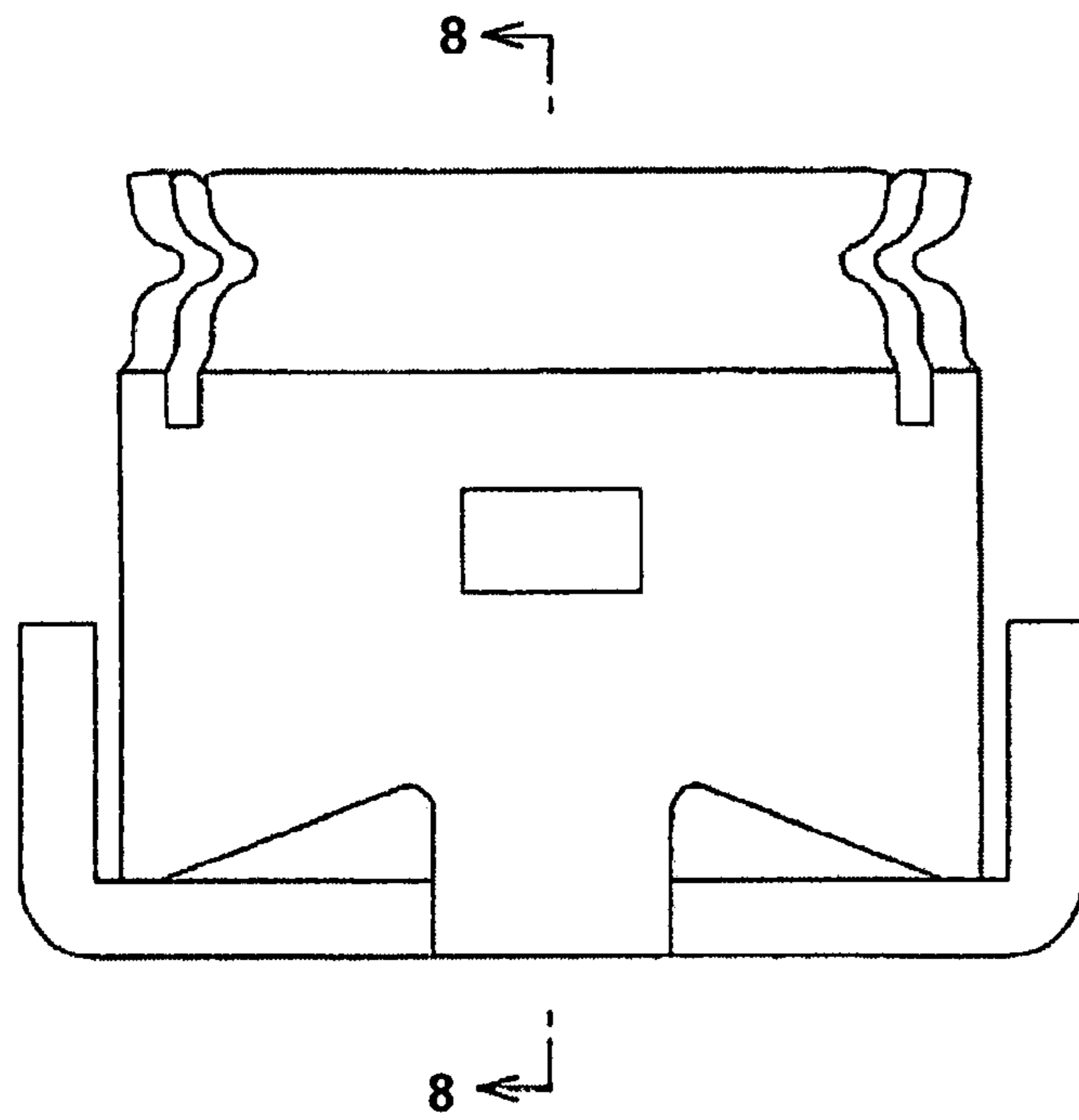


FIG. 3

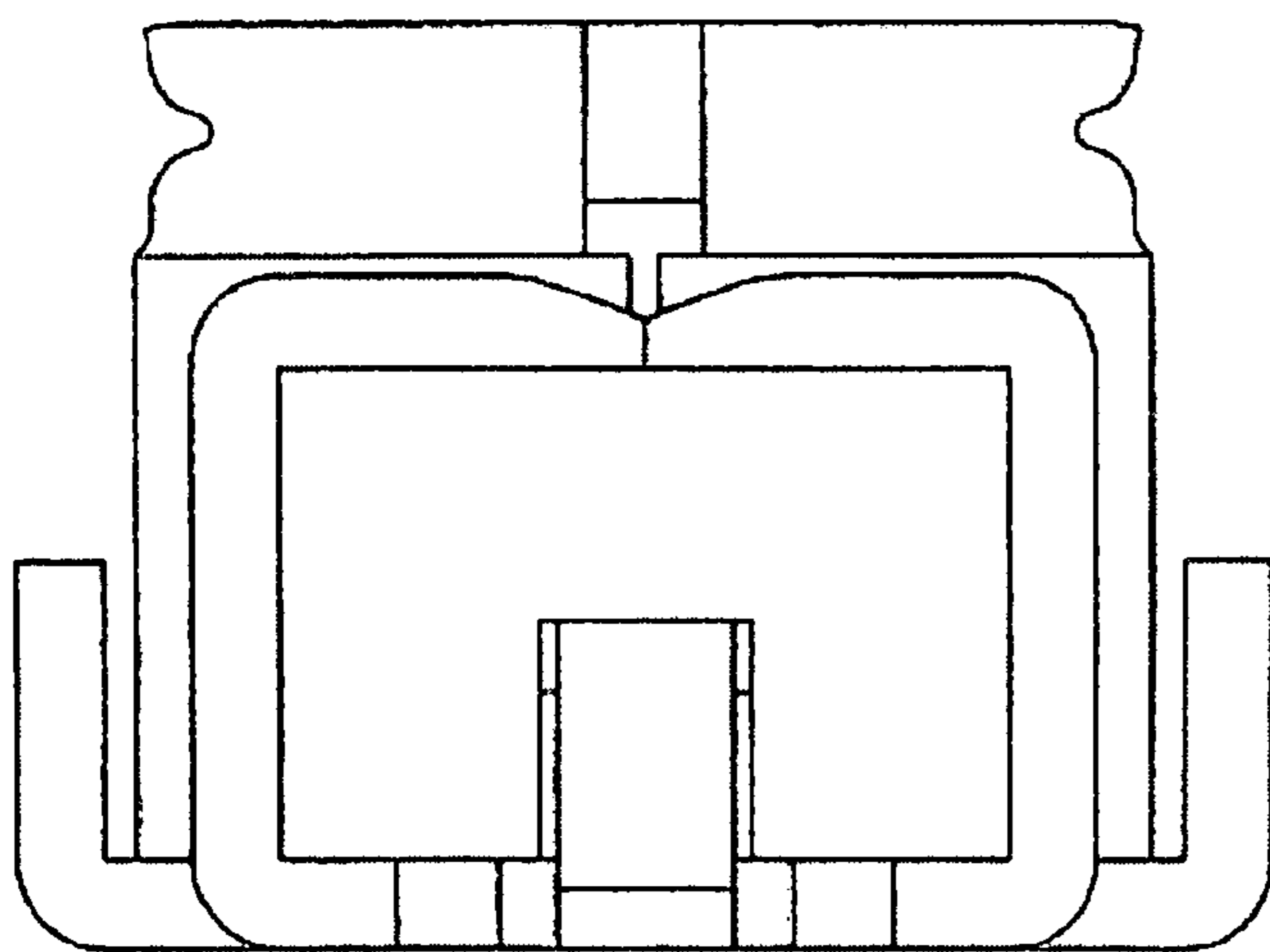


FIG. 4

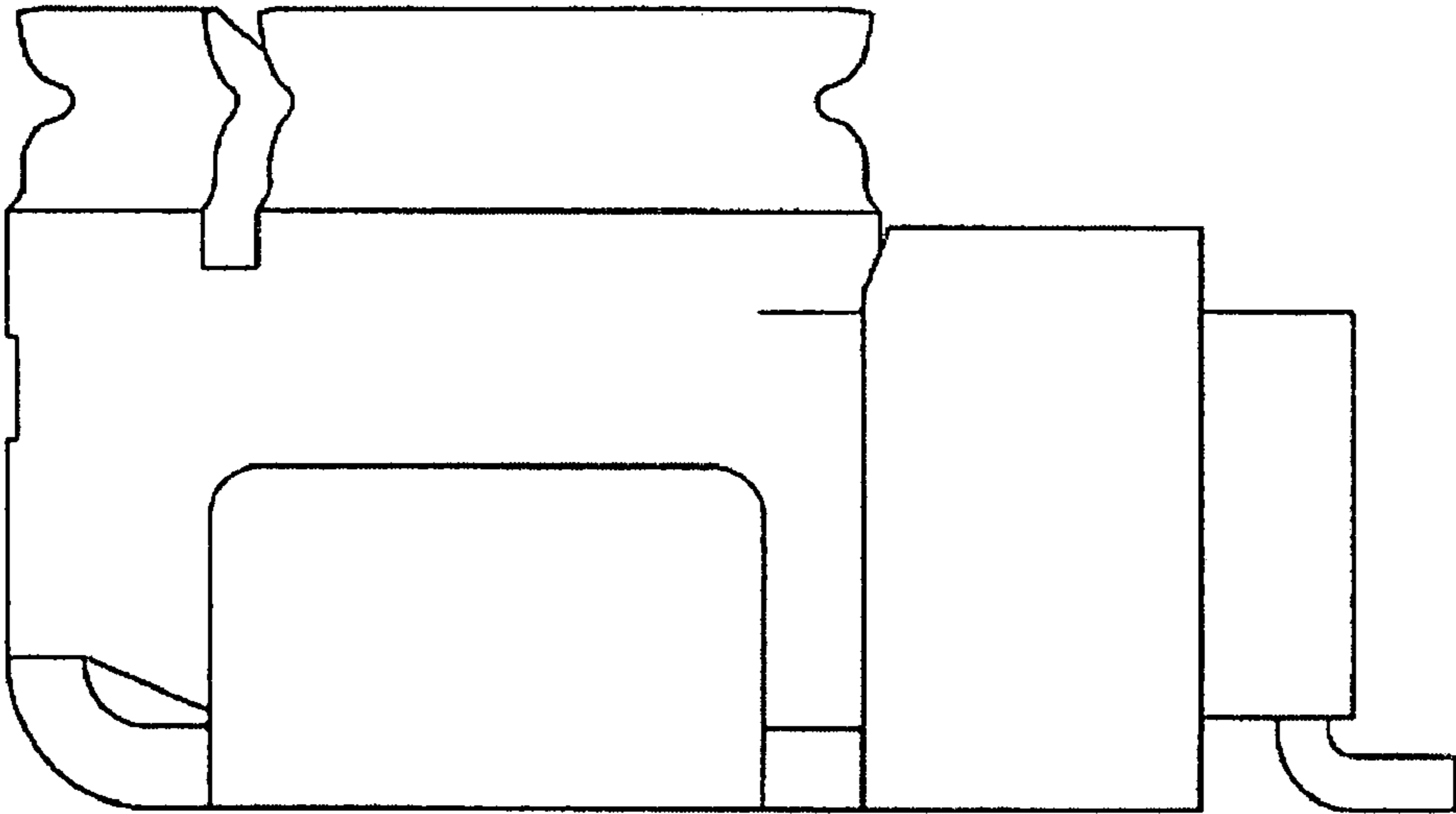


FIG. 5

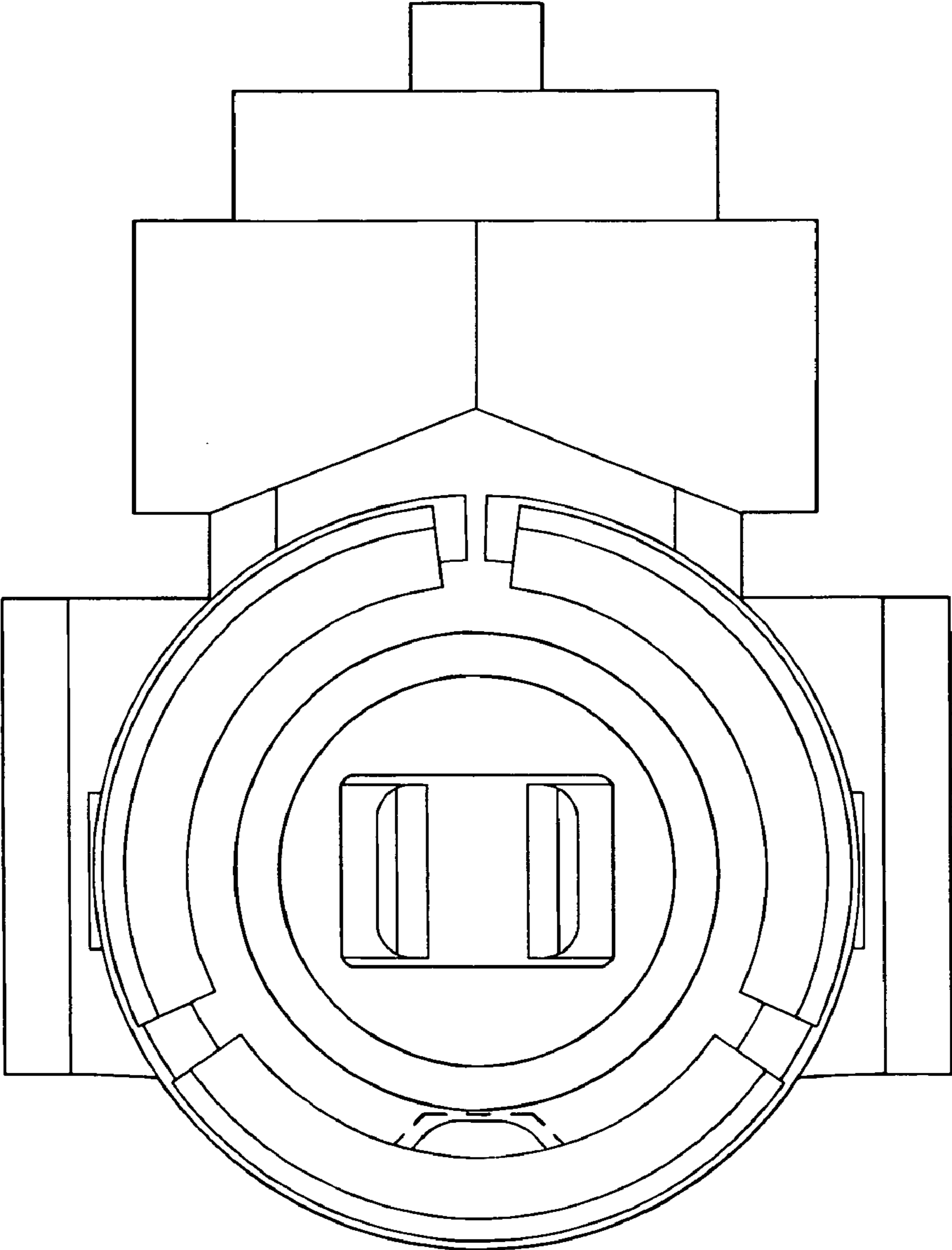


FIG. 6

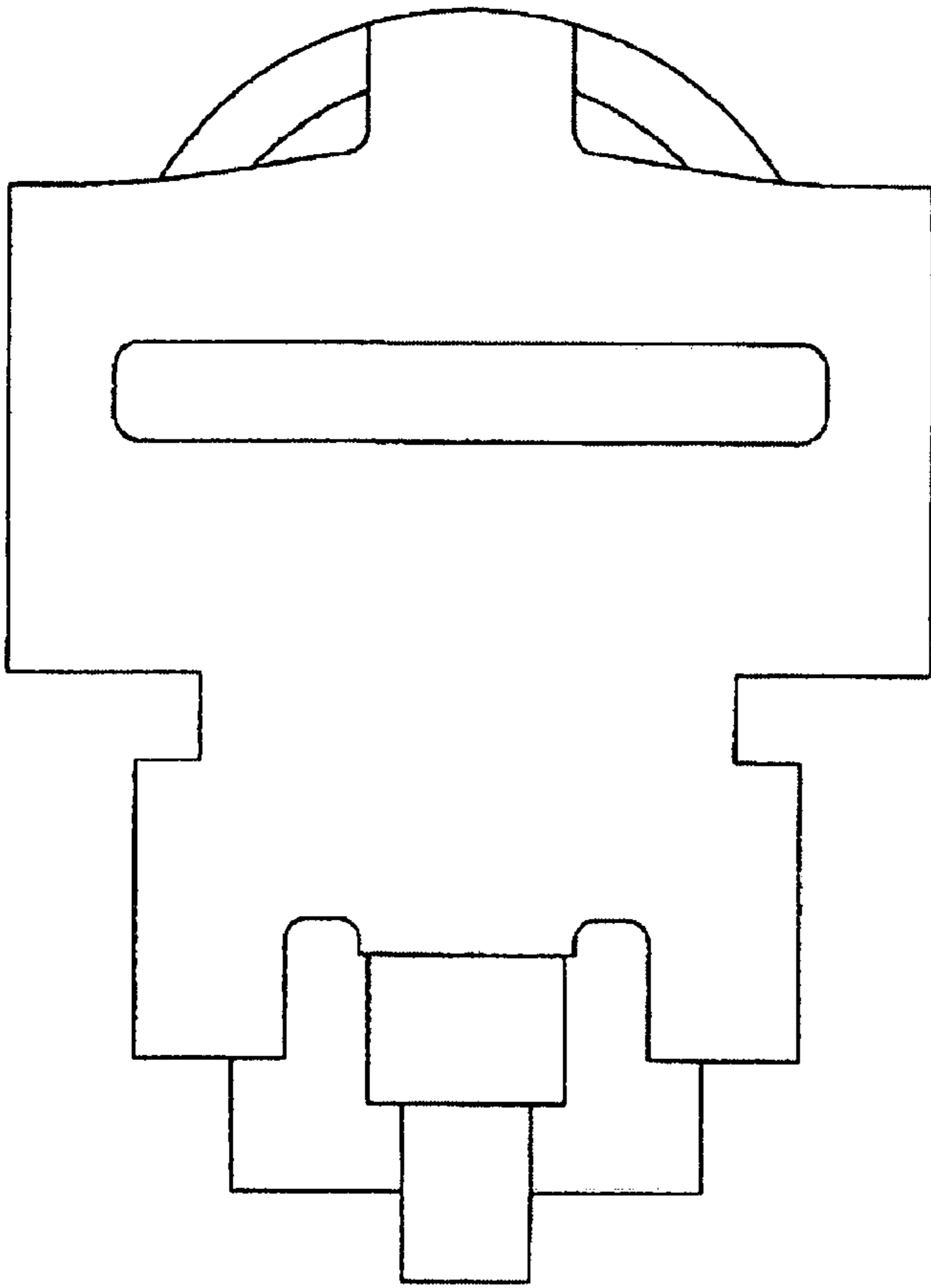


FIG. 7

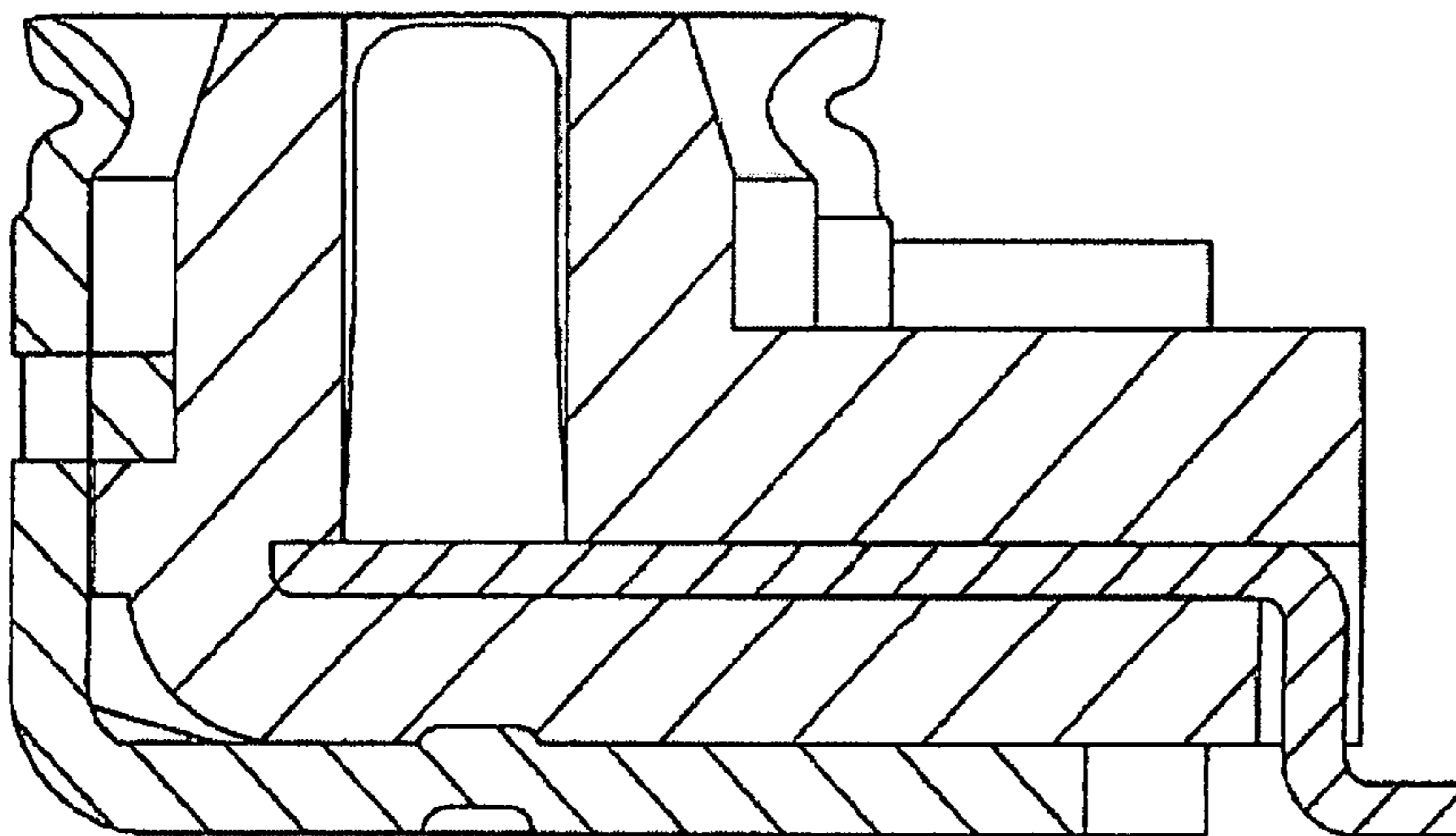


FIG. 8