



US00D575740S

(12) **United States Design Patent**
Ho et al.

(10) **Patent No.:** **US D575,740 S**

(45) **Date of Patent:** **** Aug. 26, 2008**

(54) **MICROPHONE SOCKET CONNECTOR**

(75) Inventors: **Hsin-tsung Ho**, Tu-Cheng (TW);
Chung-hsin Huang, Tu-Cheng (TW);
Mei-chuan Yang, Tu-Cheng (TW)

(73) Assignee: **Cheng Uei Precision Industry Co., Ltd.**, Taipei Hsien (TW)

(**) Term: **14 Years**

(21) Appl. No.: **29/268,015**

(22) Filed: **Oct. 27, 2006**

(51) **LOC (8) Cl.** **13-03**

(52) **U.S. Cl.** **D13/133**

(58) **Field of Classification Search** D13/133,
D13/146, 147, 154, 184, 199; 439/278, 607,
439/668, 669, 894

See application file for complete search history.

(56) **References Cited**

U.S. PATENT DOCUMENTS

D236,250 S *	8/1975	Walton	D8/396
D302,421 S *	7/1989	Ichitsubo	D13/133
D379,969 S *	6/1997	Tan	D13/147
D450,659 S *	11/2001	Hu et al.	D13/147
D462,054 S *	8/2002	Ma et al.	D13/133
D467,872 S *	12/2002	Yeh	D13/133

D523,815 S *	6/2006	Lai	D13/147
D556,137 S *	11/2007	Lin et al.	D13/133
2002/0193006 A1 *	12/2002	Ma et al.	439/669

* cited by examiner

Primary Examiner—Daniel D. Bui

Assistant Examiner—Thomas J Johannes

(74) *Attorney, Agent, or Firm*—Rosenberg, Klein & Lee

(57) **CLAIM**

The ornamental design for a microphone socket connector, as shown and described.

DESCRIPTION

FIG. 1 is a perspective view of a microphone socket connector showing our new design;

FIG. 2 is a front elevational view thereof;

FIG. 3 is a rear elevational view thereof;

FIG. 4 is a left side elevational view thereof;

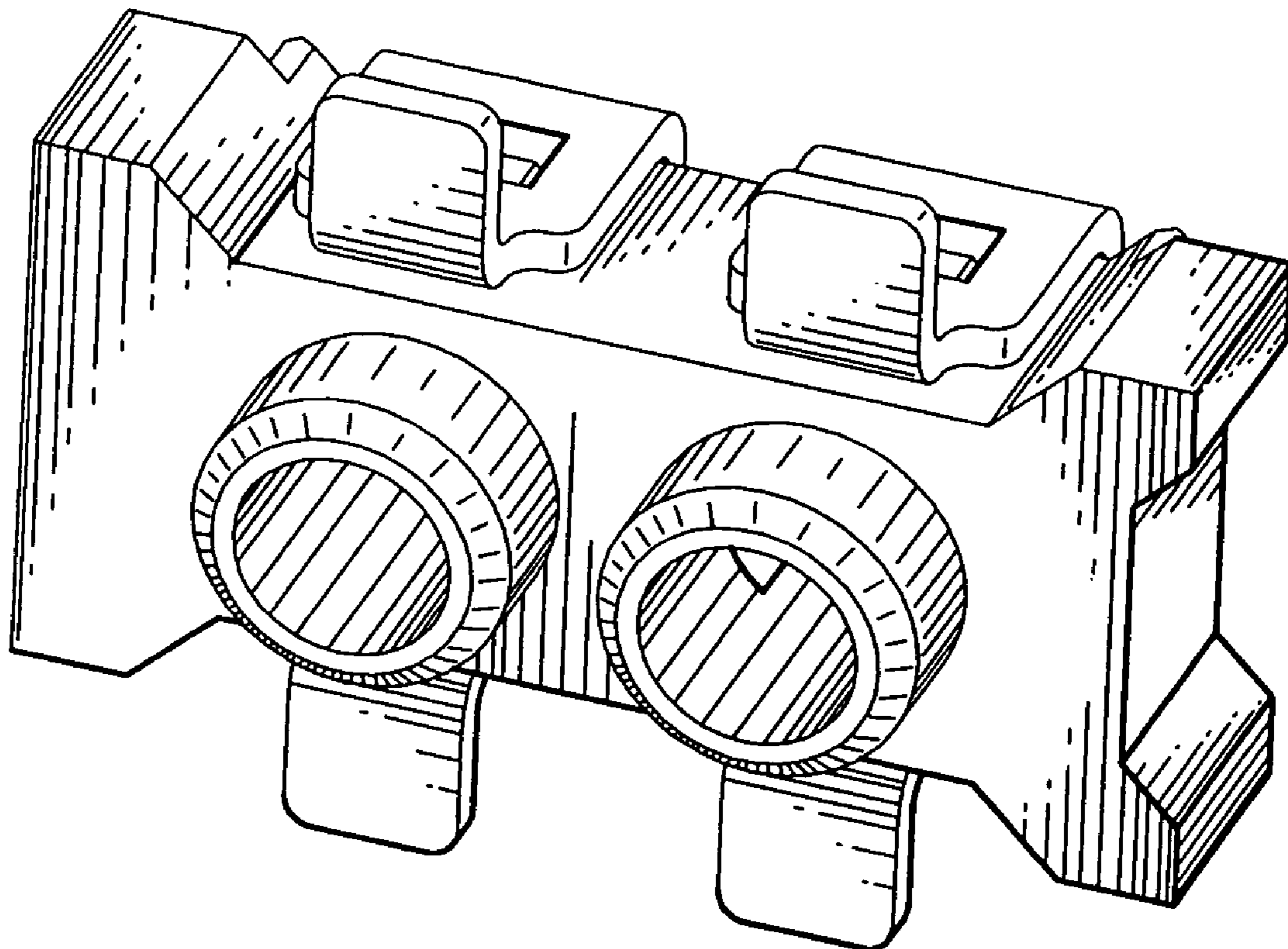
FIG. 5 is a right side elevational view thereof;

FIG. 6 is a top plan view thereof; and,

FIG. 7 is a bottom plan view thereof.

The broken-line disclosure in the view is for illustrative purposes only and forms no part of the claimed design.

1 Claim, 7 Drawing Sheets



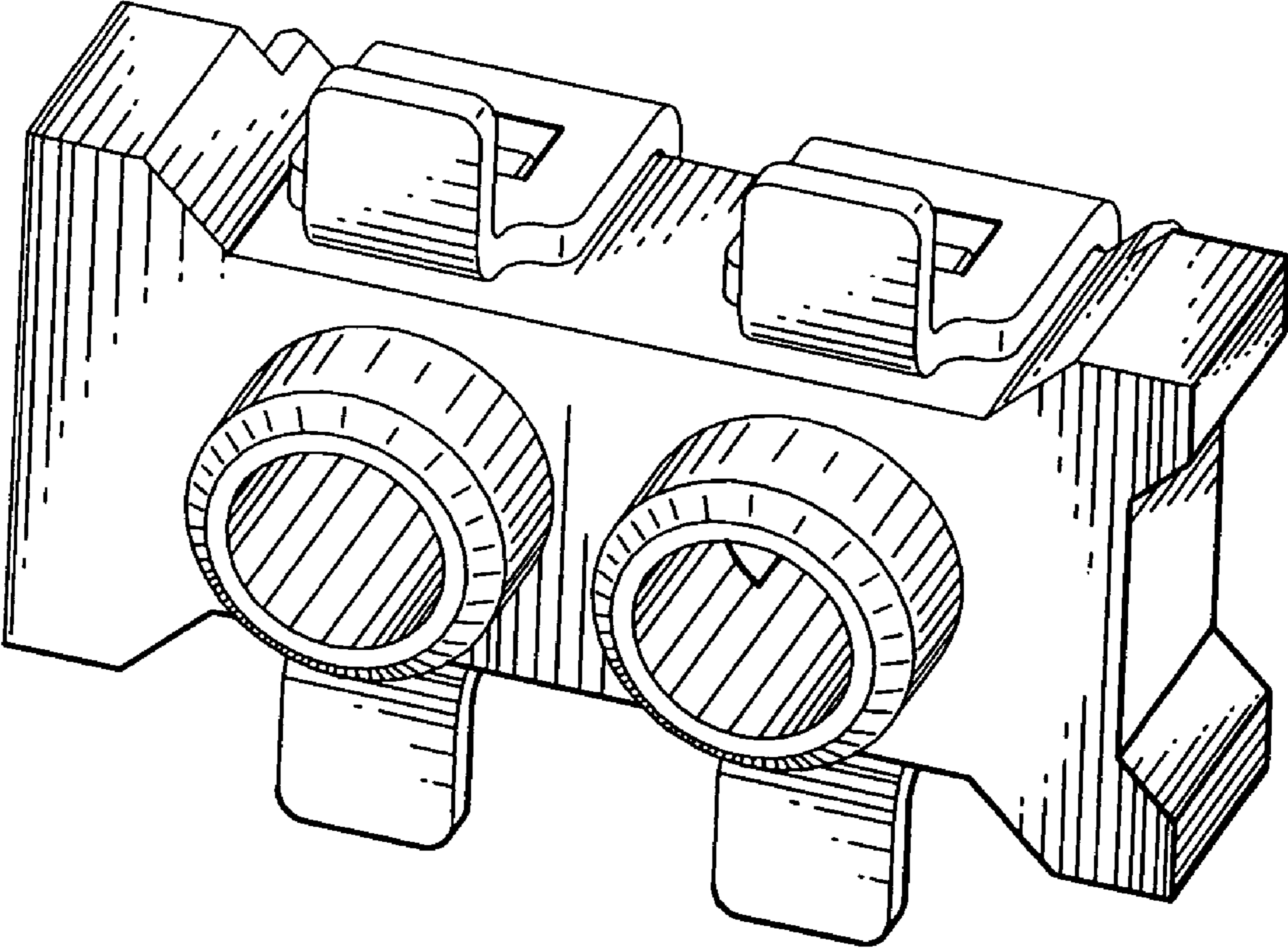


FIG. 1

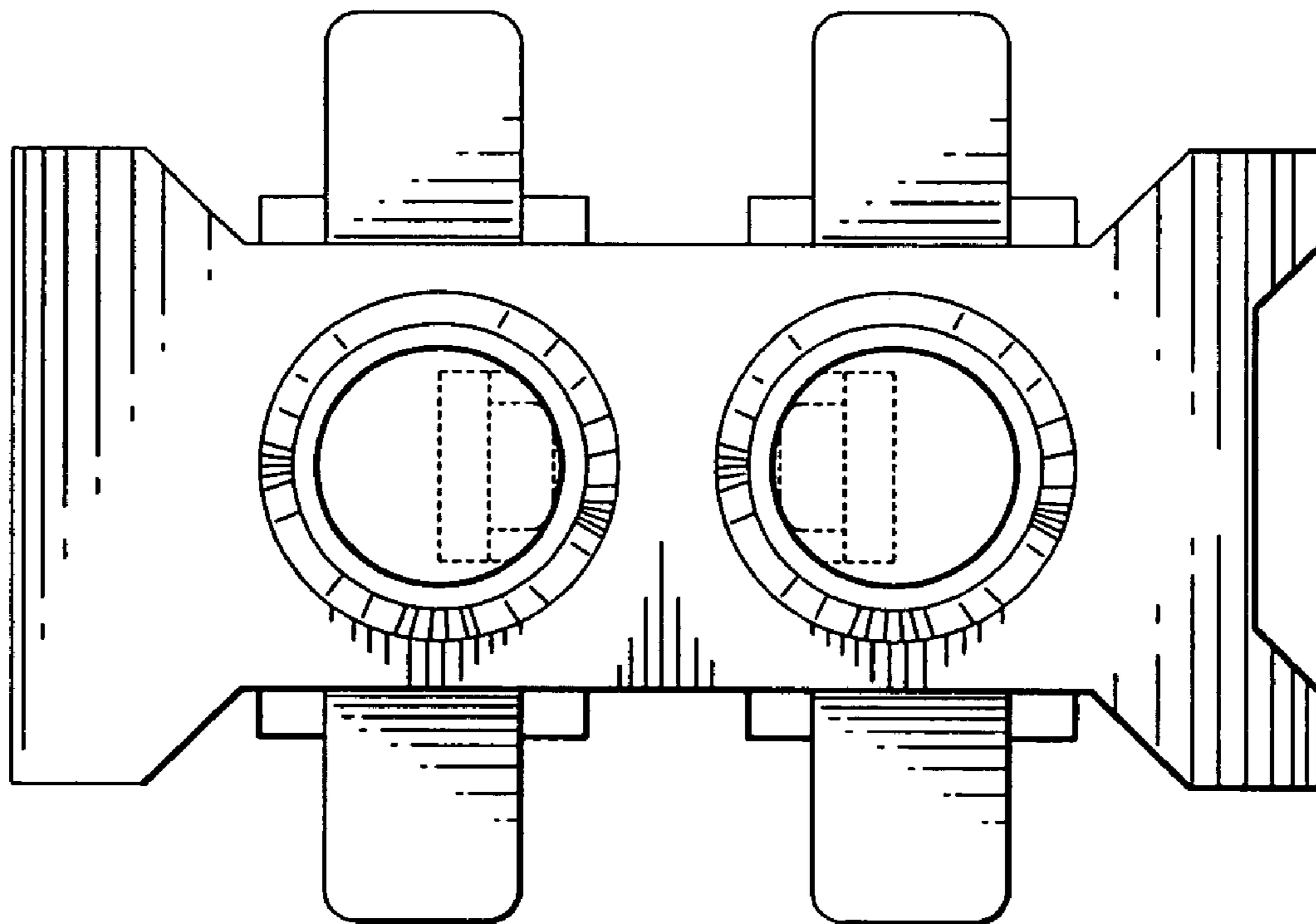


FIG. 2

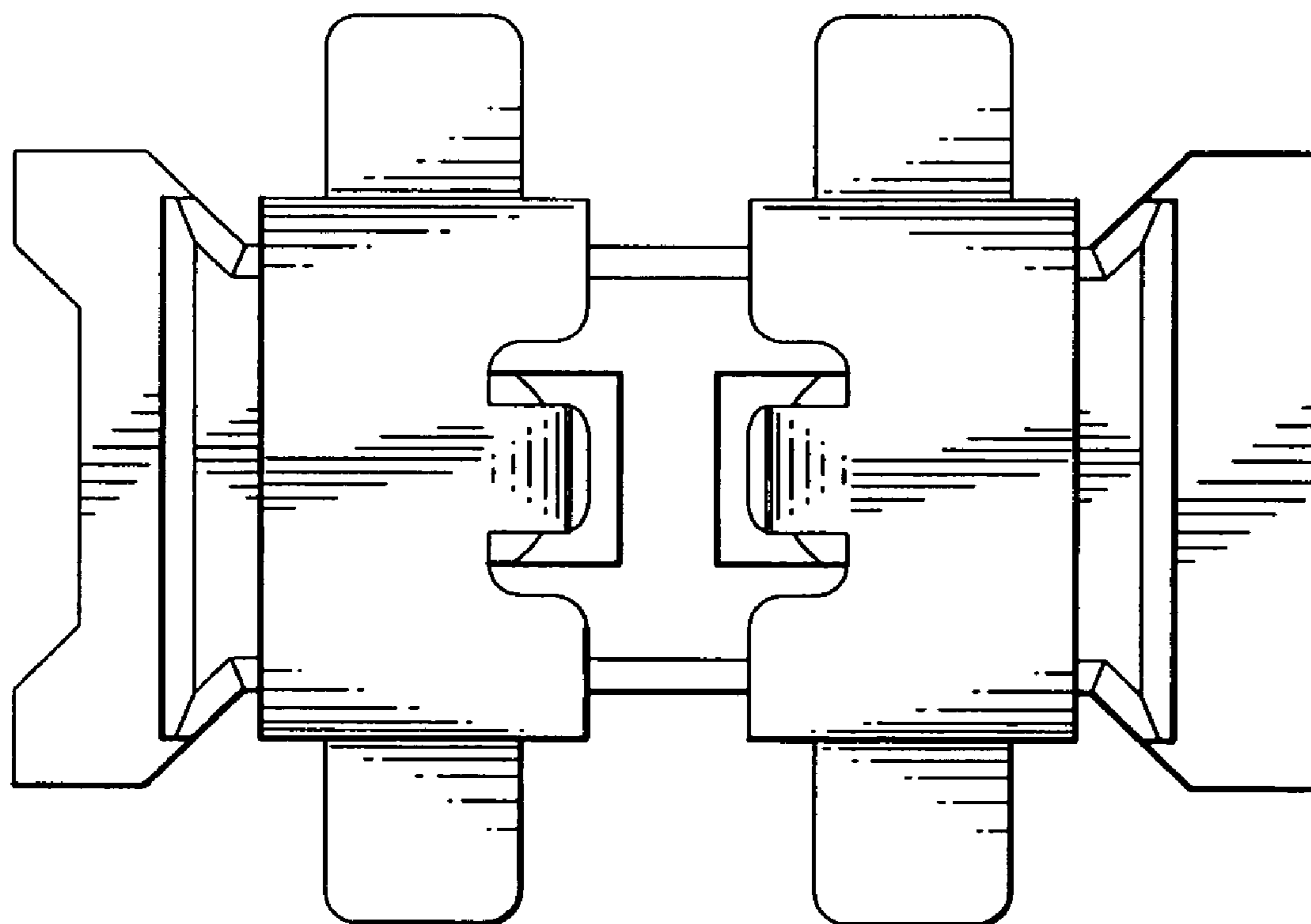


FIG. 3

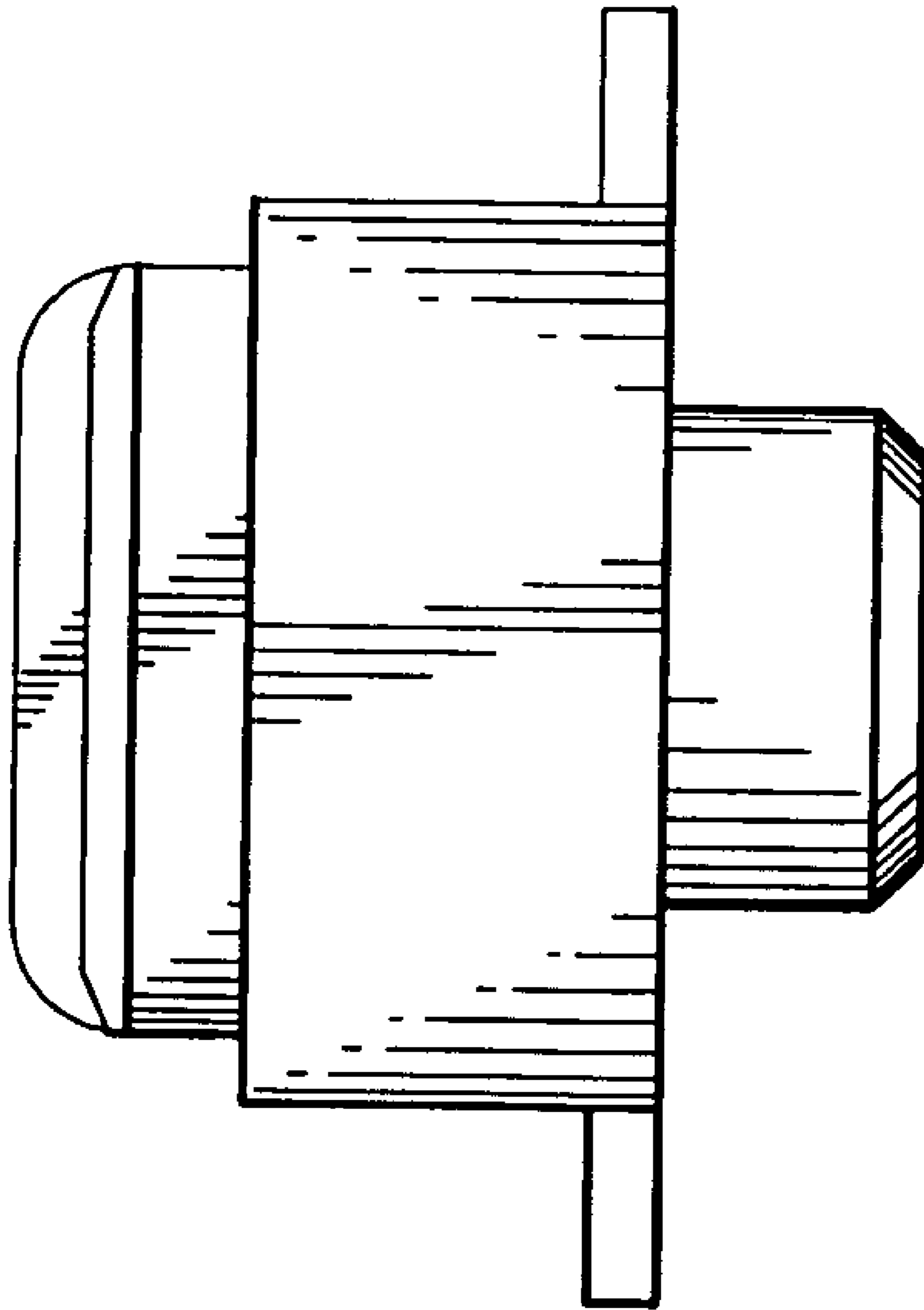


FIG. 4

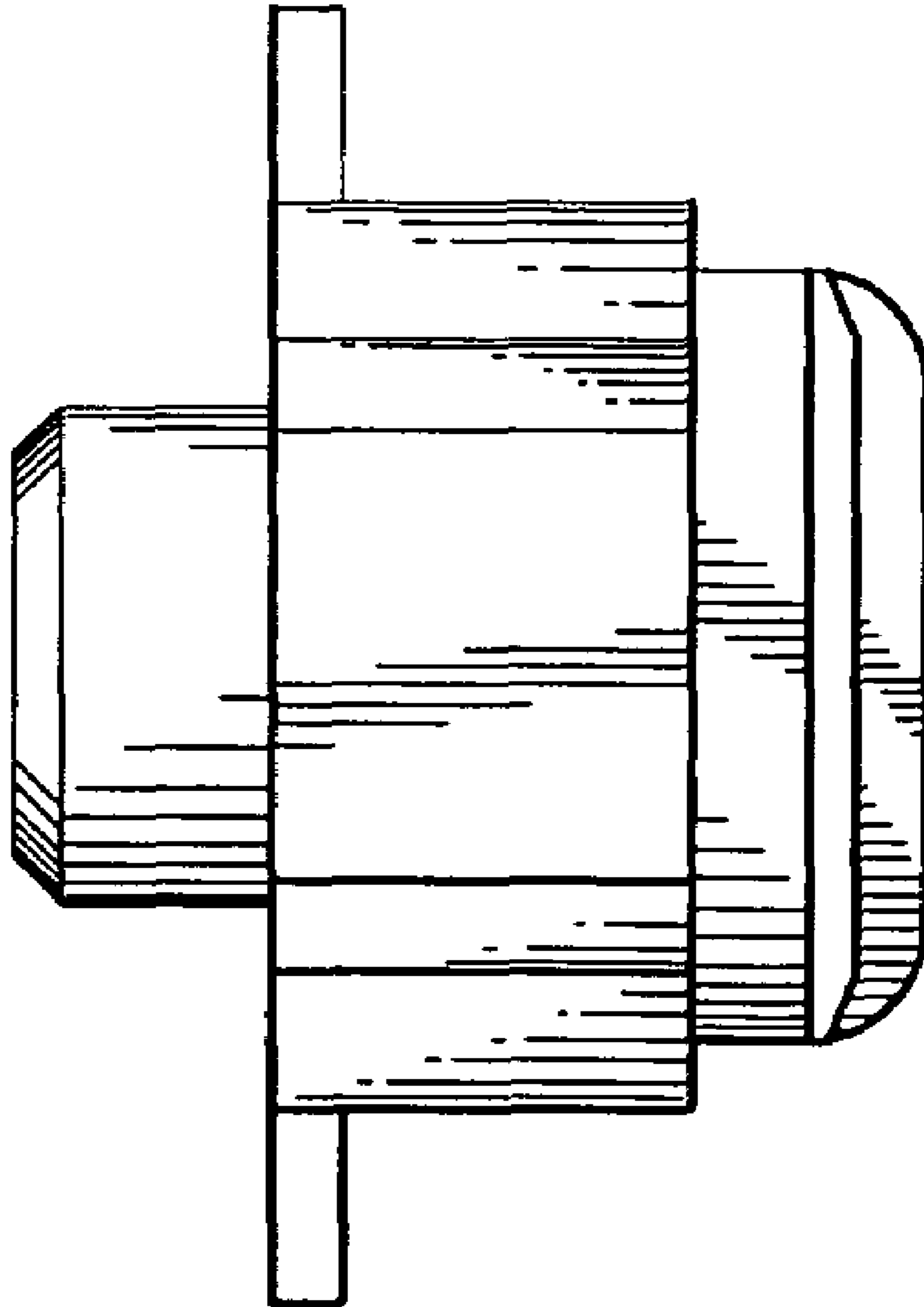


FIG. 5

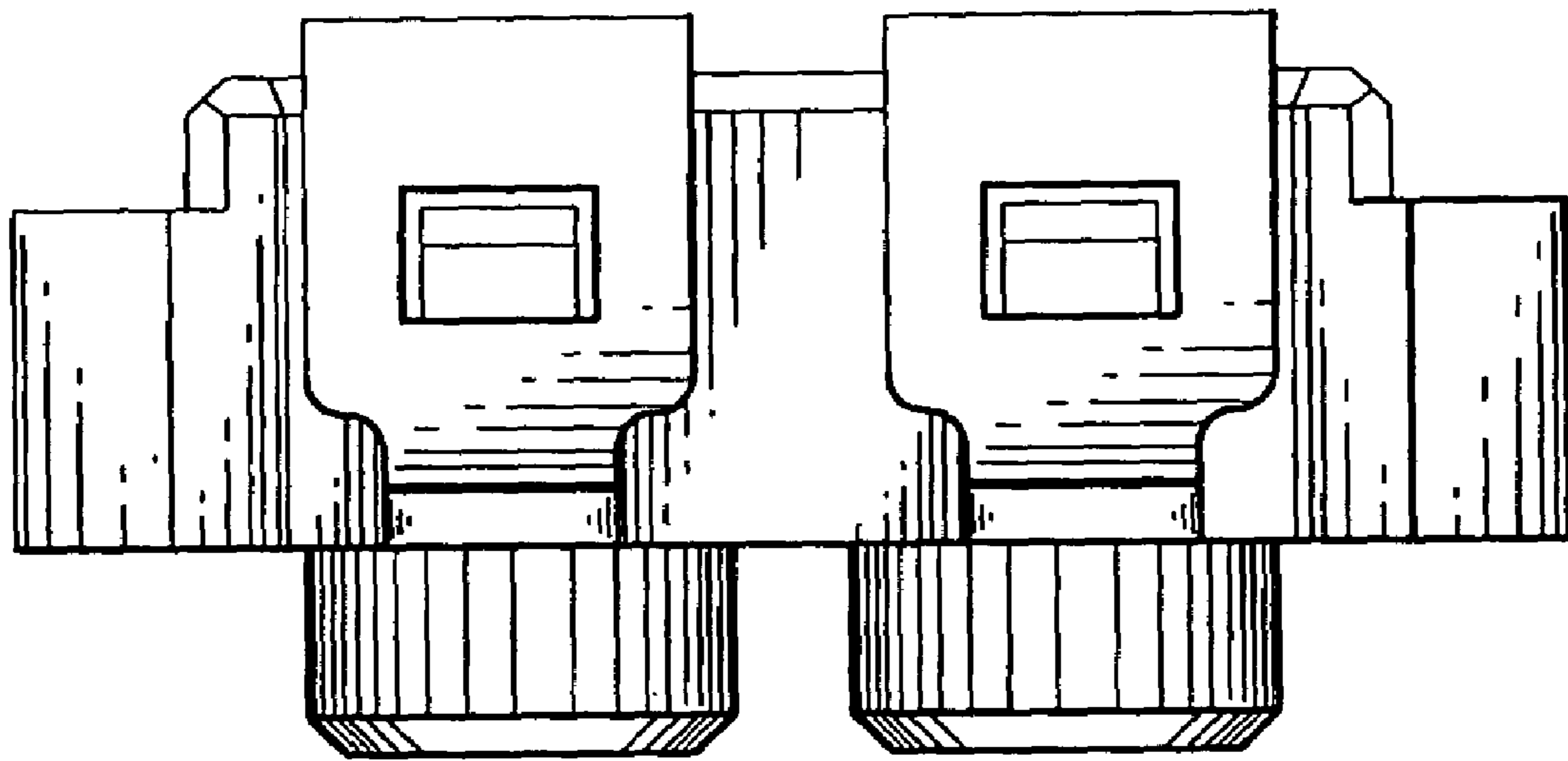


FIG. 6

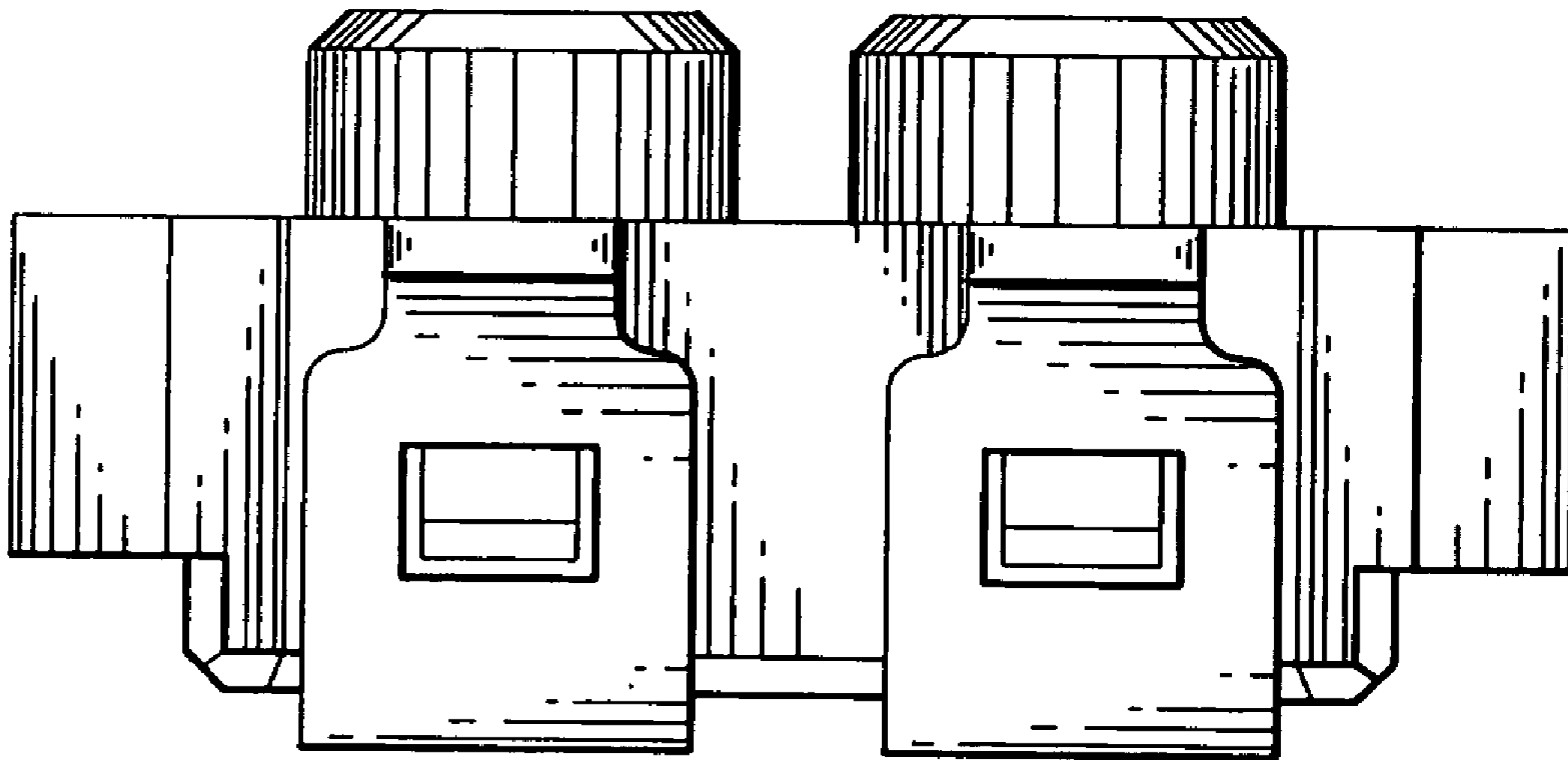


FIG. 7