

US00D575734S

(12) **United States Design Patent**
Groh et al.

(10) **Patent No.:** **US D575,734 S**

(45) **Date of Patent:** **** Aug. 26, 2008**

(54) **GUARDIAN BATTERY DOOR**

(75) Inventors: **William S. Groh**, Knoxville, TN (US);
John G. Spangler, Knoxville, TN (US)

(73) Assignee: **Radio Systems Corporation**, Knoxville,
TN (US)

(**) Term: **14 Years**

(21) Appl. No.: **29/247,753**

(22) Filed: **Jul. 10, 2006**

(51) **LOC (8) Cl.** **13-02**

(52) **U.S. Cl.** **D13/119**

(58) **Field of Classification Search** D13/118-121,
D13/133, 154, 156, 182, 184, 199; 439/83,
439/108, 166, 500, 577, 630, 660, 680, 700,
439/773.1, 862

See application file for complete search history.

(56) **References Cited**

U.S. PATENT DOCUMENTS

965,103	A *	7/1910	Goodridge	439/734
D58,082	S *	6/1921	Goodridge	D13/154
D214,379	S *	6/1969	Wolf	D13/119
D243,406	S *	2/1977	Mooney et al.	D13/154
D251,781	S *	5/1979	Hutton	D13/133
D439,561	S *	3/2001	Lee et al.	D13/103
6,394,820	B1 *	5/2002	Palaniappa et al.	439/83
D476,620	S *	7/2003	Tada et al.	D13/103

D490,773	S *	6/2004	Nakamaru	D13/119
D515,027	S *	2/2006	Groh et al.	D13/103
D528,502	S *	9/2006	Fleetwood	D13/103
D531,117	S *	10/2006	Schrick et al.	D13/103

* cited by examiner

Primary Examiner—Jennifer Rivard

Assistant Examiner—Rosemary K Tarcza

(74) *Attorney, Agent, or Firm*—Pitts & Brittan, PC

(57) **CLAIM**

I claim the ornamental design for a guardian battery door, as shown and described.

DESCRIPTION

FIG. 1 is a perspective view of the design of the present invention for a guardian battery door;

FIG. 2 is a front elevation view of the guardian battery door of FIG. 1;

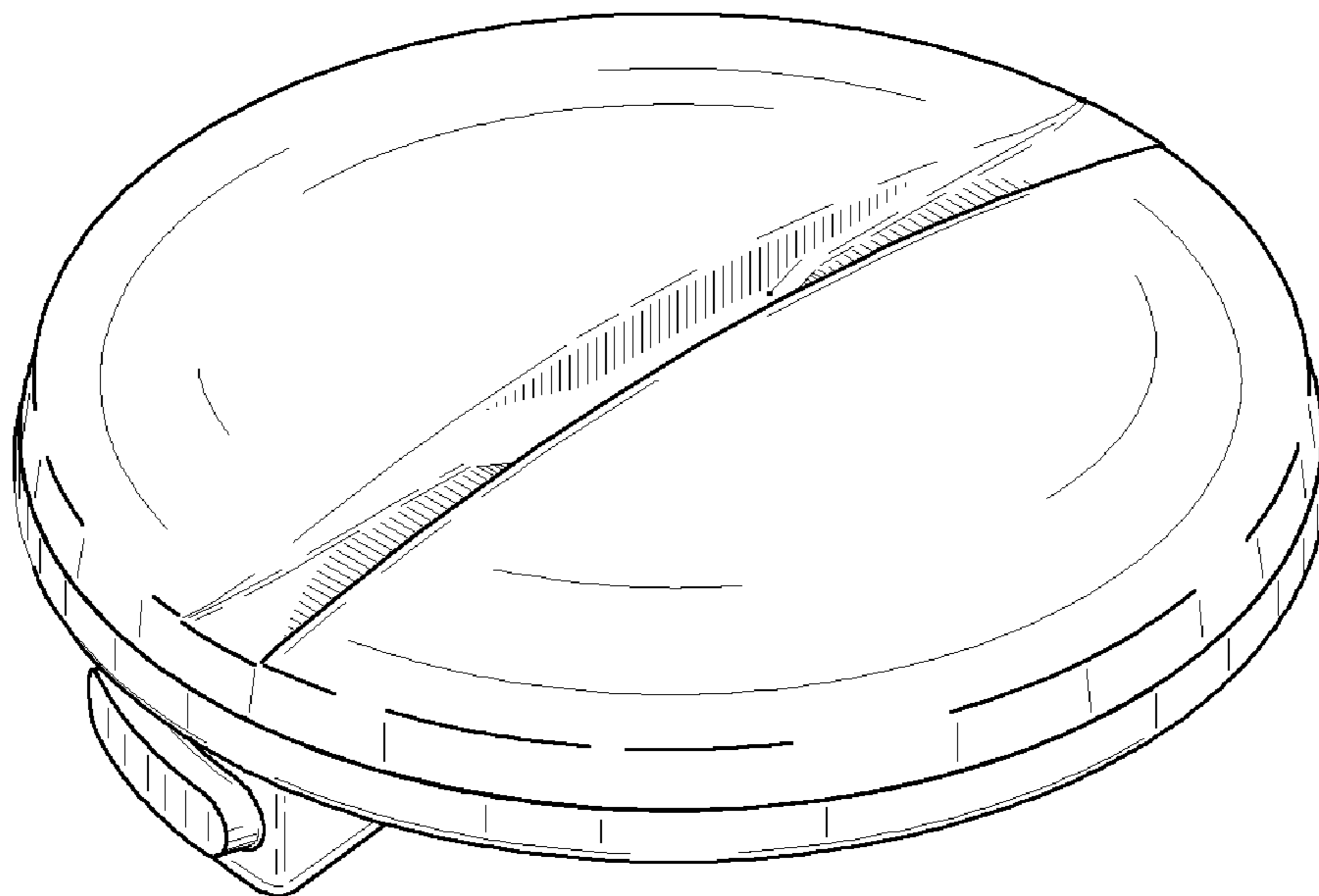
FIG. 3 is a side elevation view of the guardian battery door of FIG. 1;

FIG. 4 is a top view of the guardian battery door of FIG. 1; and,

FIG. 5 is a bottom view of the guardian battery door of FIG. 1.

The features of the guardian battery door shown in broken lines are for illustrative purposes only and form no part of the claimed design.

1 Claim, 2 Drawing Sheets



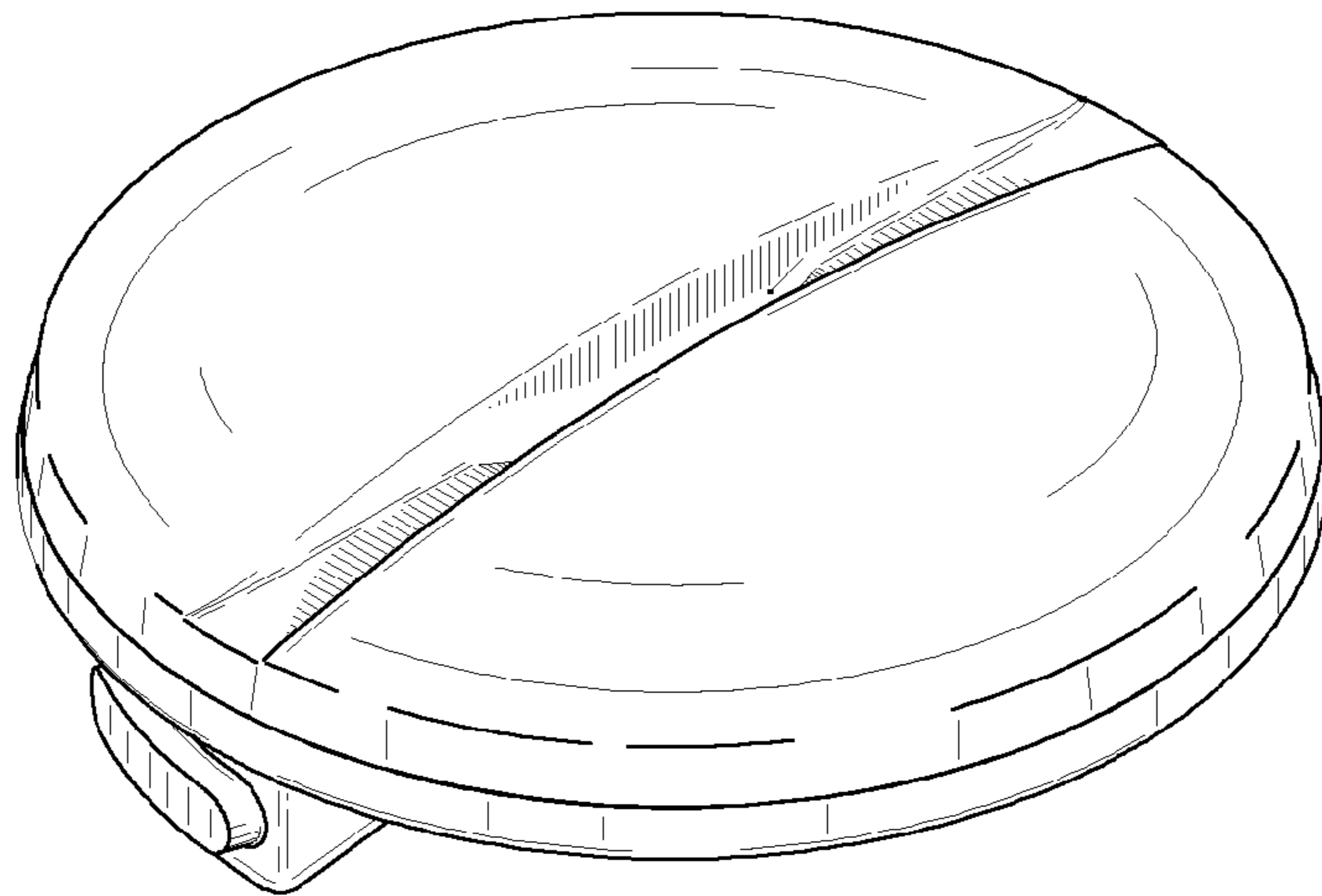


Fig. 1

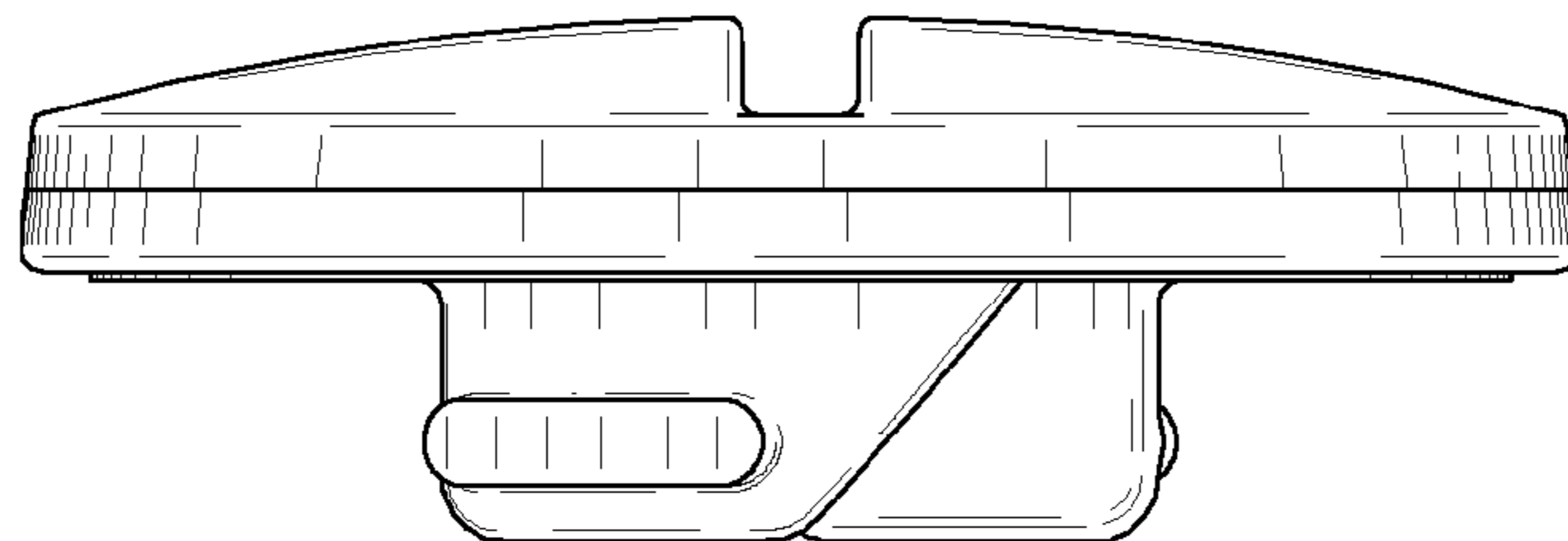


Fig. 2

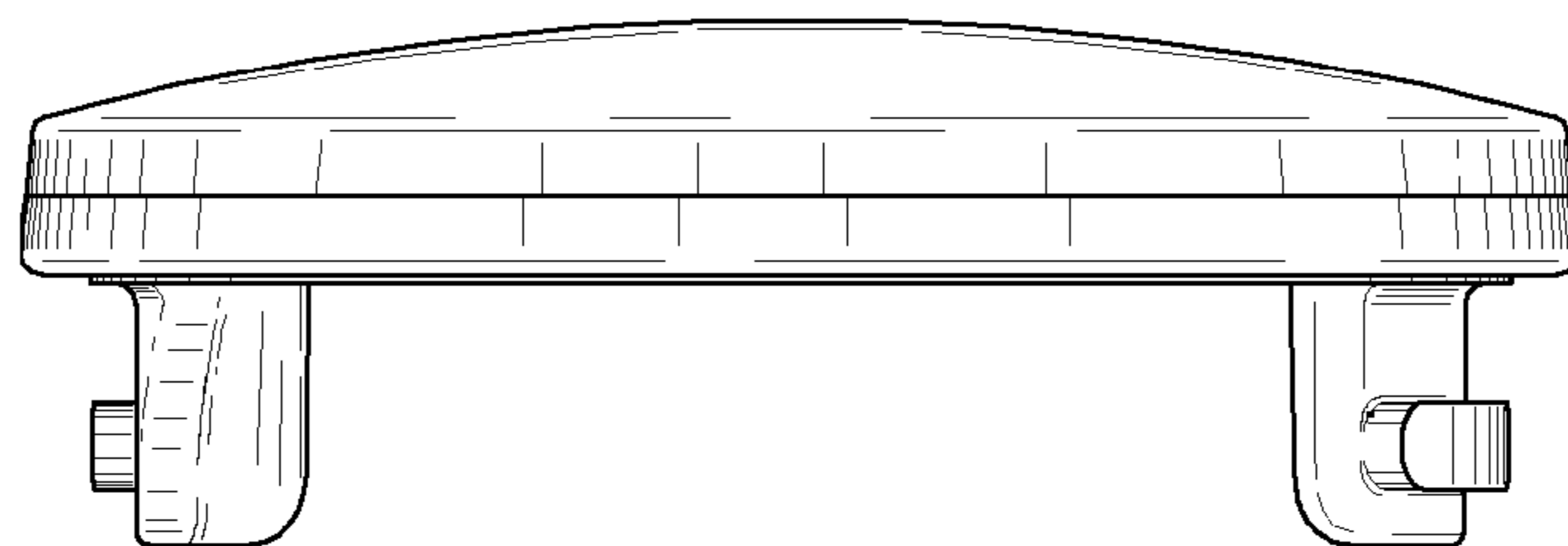


Fig. 3

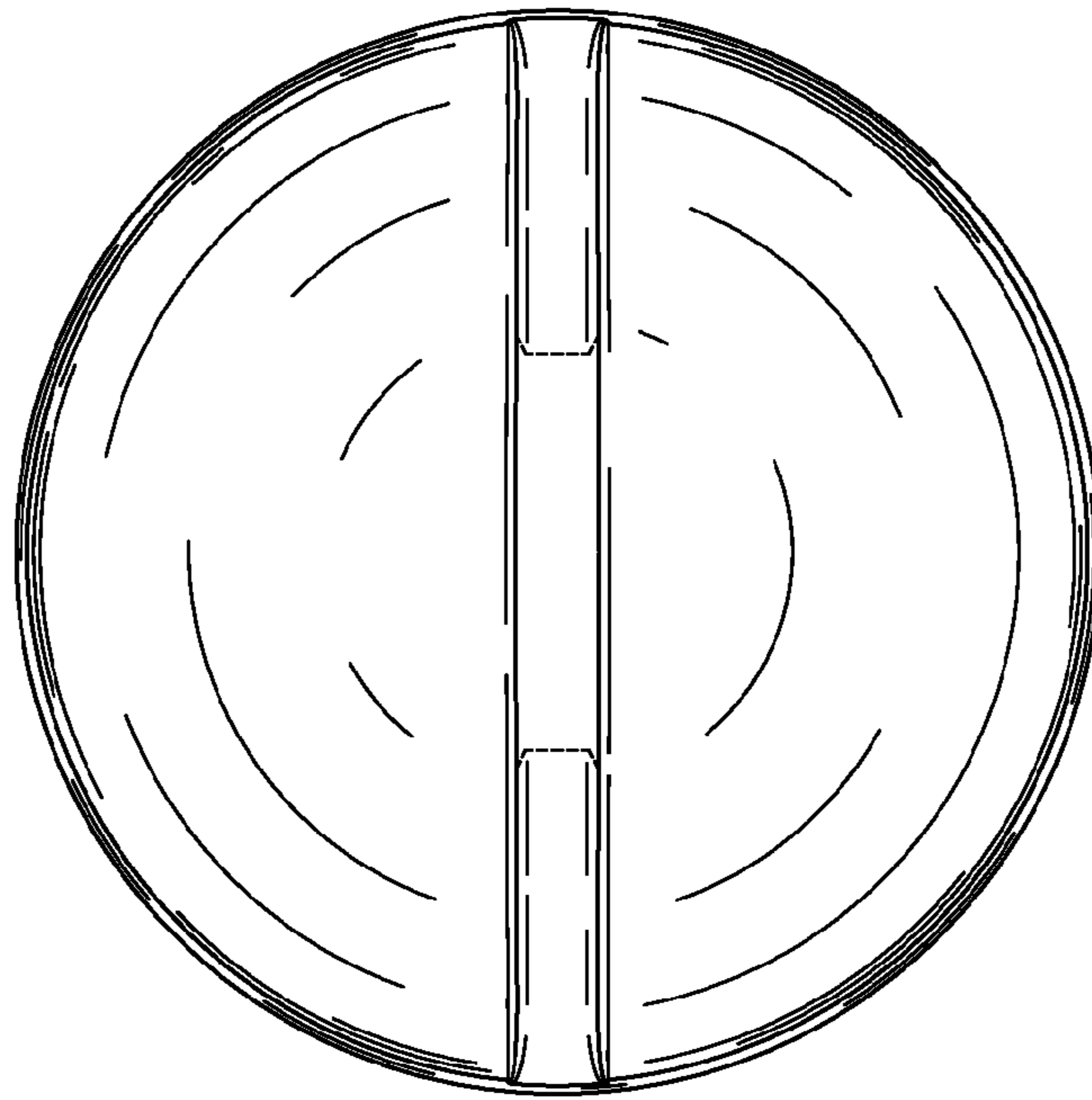


Fig. 4

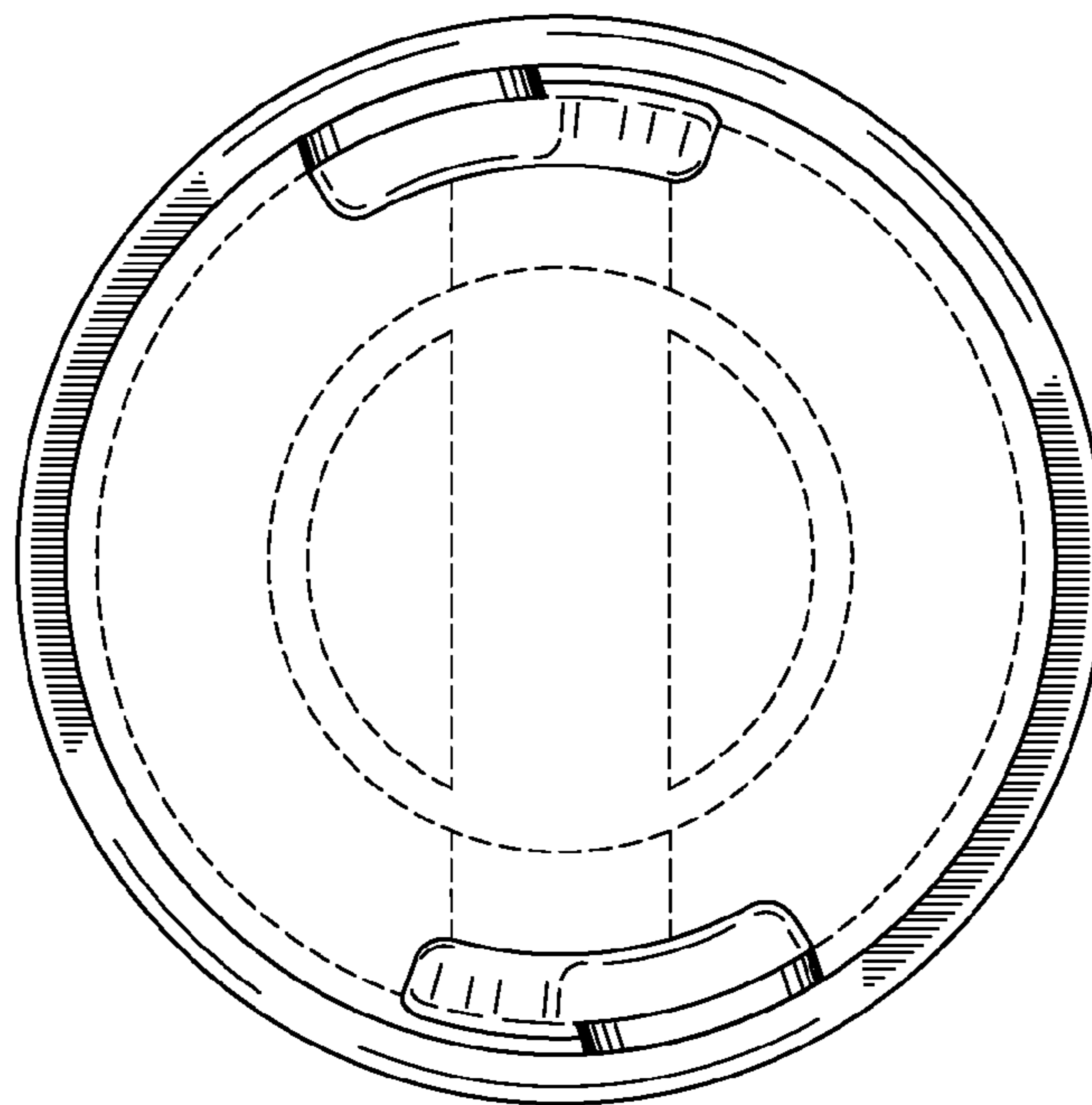


Fig. 5