



US00D575732S

(12) **United States Design Patent**
Wu et al.

(10) **Patent No.:** **US D575,732 S**
(45) **Date of Patent:** **** Aug. 26, 2008**

(54) **ENGINE GENERATOR**

(75) Inventors: **Sung-Yu Wu**, Kaohsiung (TW);
Tsang-Mao Lin, Kaohsiung (TW);
Jui-Tien Chen, Kaohsiung (TW)

(73) Assignee: **Kwang Yang Motor Co., Ltd.**,
Kaohsiung (TW)

(**) Term: **14 Years**

(21) Appl. No.: **29/248,464**

(22) Filed: **Aug. 17, 2006**

(51) **LOC (8) Cl.** **13-01**

(52) **U.S. Cl.** **D13/114**

(58) **Field of Classification Search** D13/114,
D13/112, 116, 122, 199; 290/1 A, 1 B; 307/150,
307/153

See application file for complete search history.

(56) **References Cited**

U.S. PATENT DOCUMENTS

- D282,734 S * 2/1986 Shibuya D13/114
- D293,904 S * 1/1988 Murakami et al. D13/116
- 4,721,070 A * 1/1988 Tanaka et al. 123/2
- D470,103 S * 2/2003 Nishida D13/116
- D472,519 S * 4/2003 Buck D13/114

- D475,726 S * 6/2003 Suga et al. D15/144
- D478,311 S * 8/2003 Yaguchi et al. D13/114
- D501,182 S * 1/2005 Buck D13/110

* cited by examiner

Primary Examiner—Prabhakar Deshmukh

Assistant Examiner—Derrick Holland

(74) *Attorney, Agent, or Firm*—Leong C. Lei

(57) **CLAIM**

The ornamental design for an engine generator, as shown and described.

DESCRIPTION

FIG. 1 is a front perspective view of an engine generator showing our new design;

FIG. 2 is a front elevational view thereof;

FIG. 3 is a rear elevational view thereof;

FIG. 4 is a left side elevational view thereof;

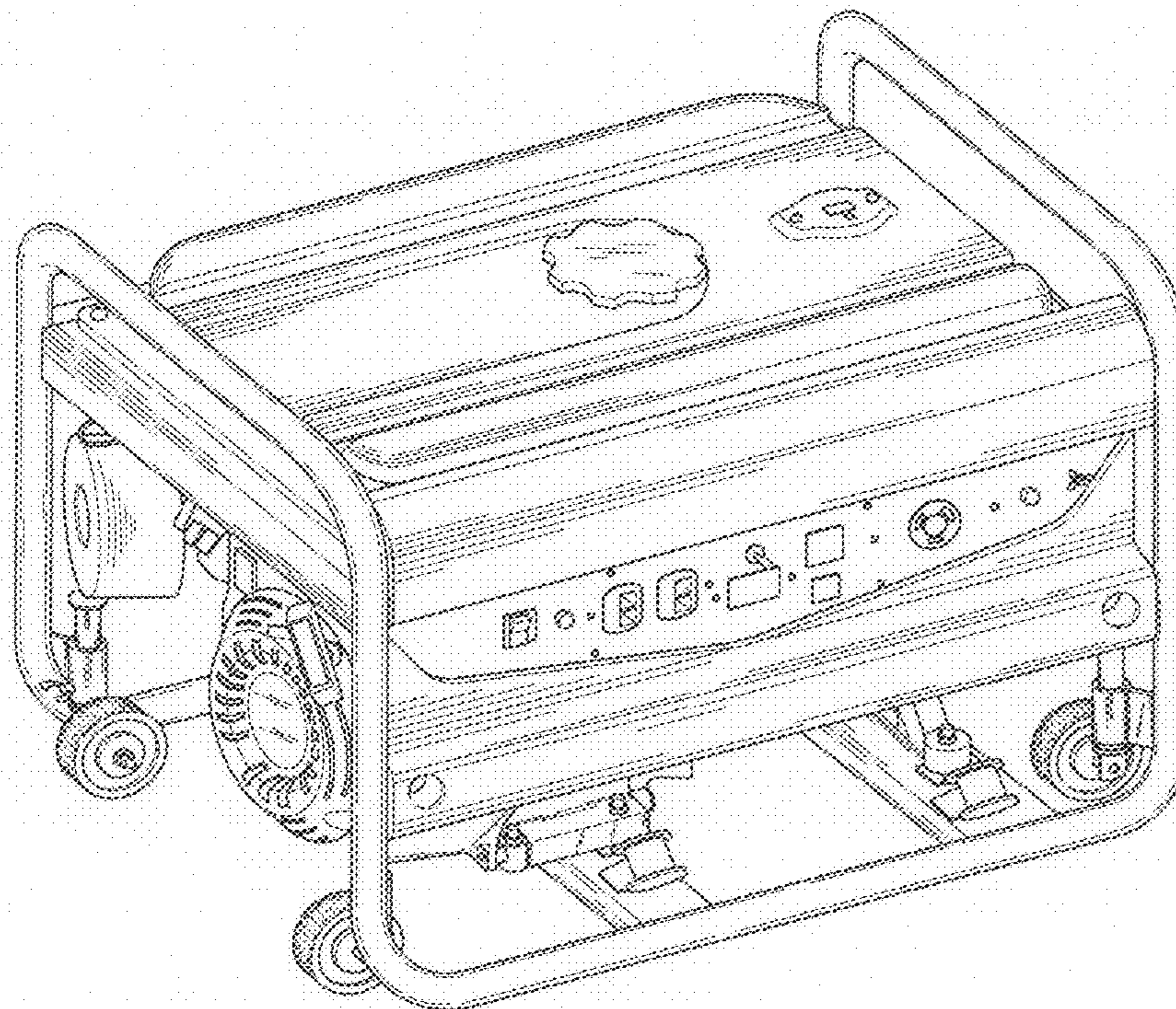
FIG. 5 is a right side elevational view thereof;

FIG. 6 is a top plan view thereof; and,

FIG. 7 is a bottom plan view thereof.

The broken lines showing are for illustrative purposes and form no part of the claimed design.

1 Claim, 4 Drawing Sheets



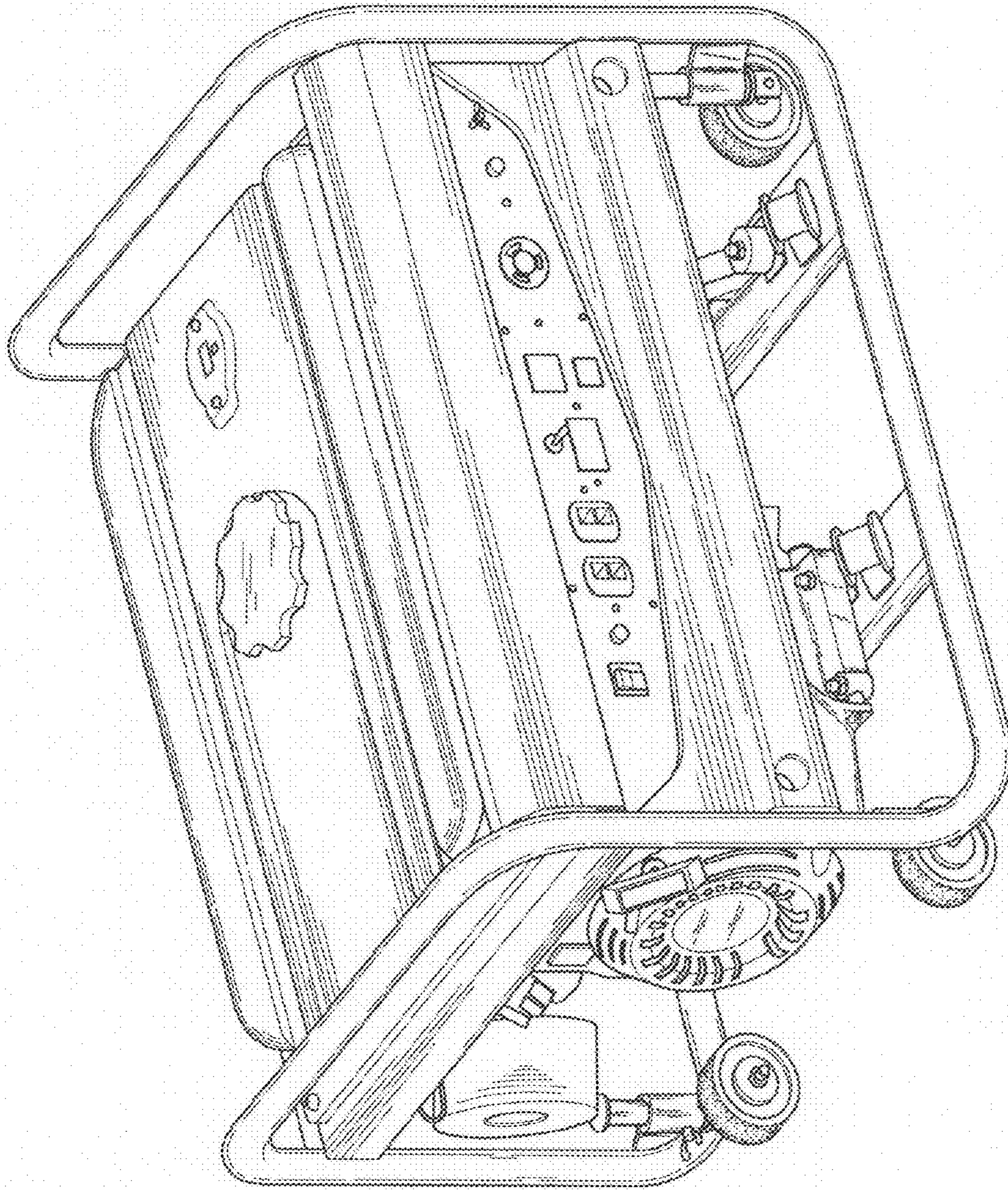


FIG. 1

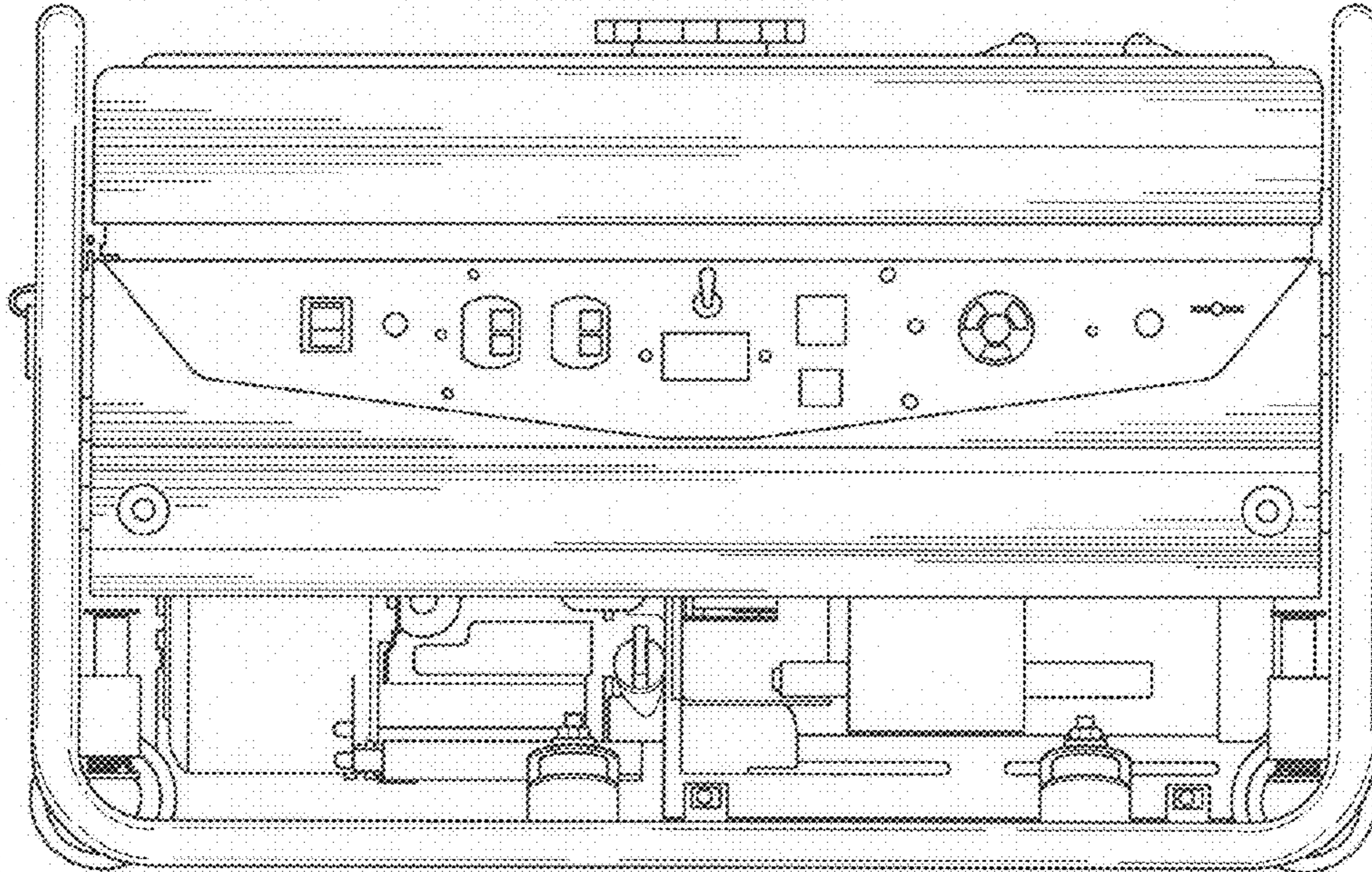


FIG. 2

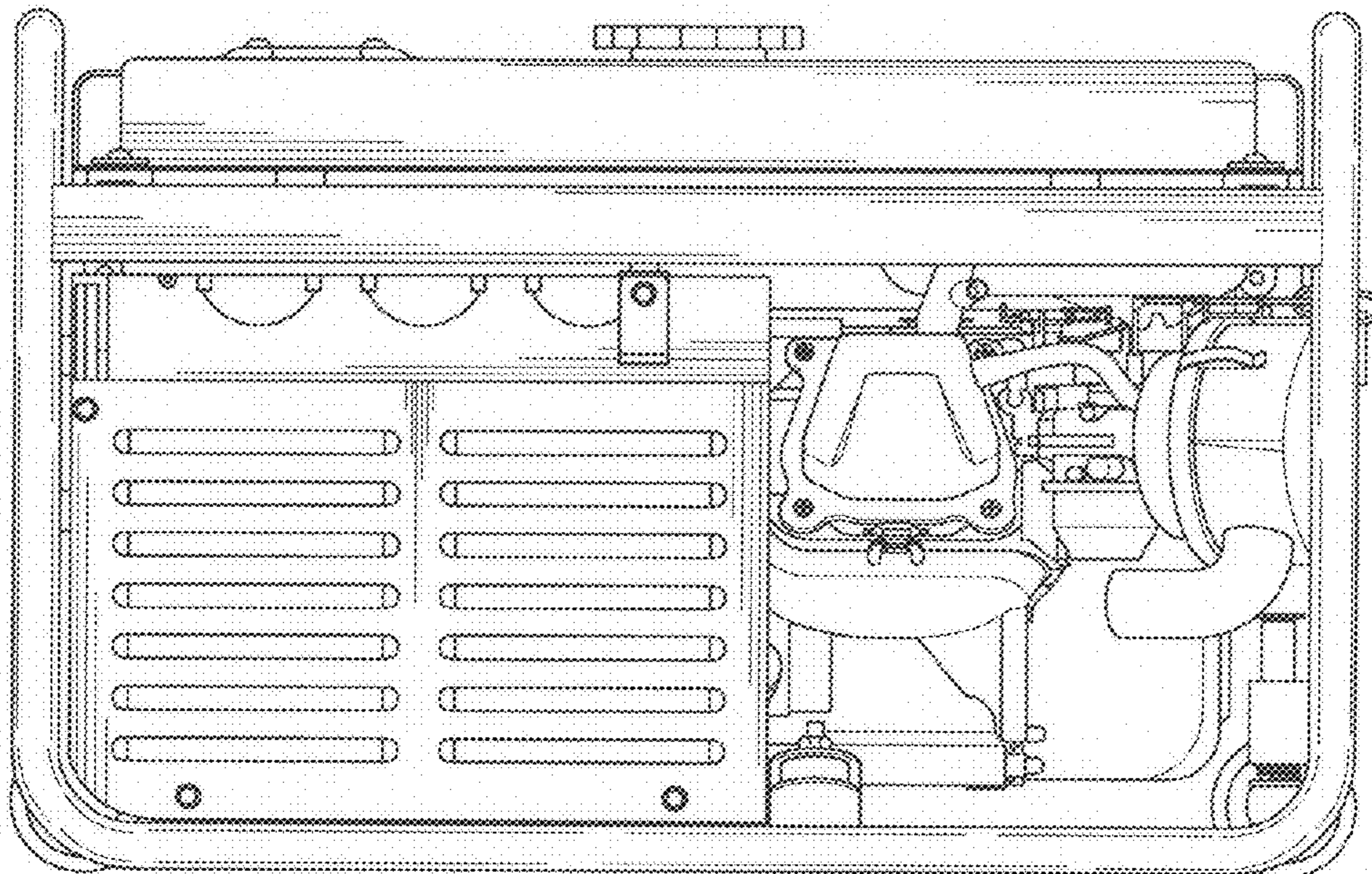


FIG. 3

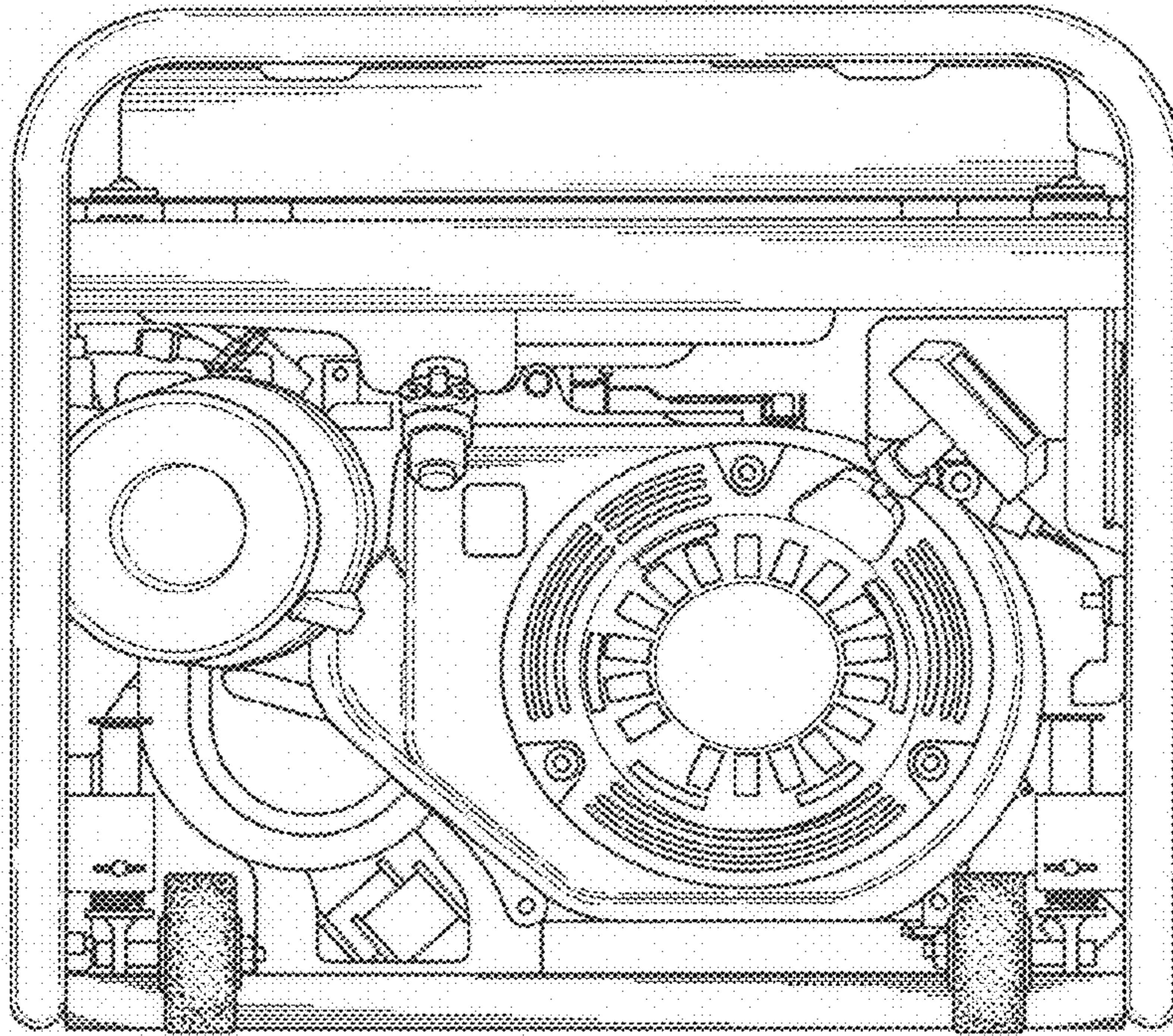


FIG. 4

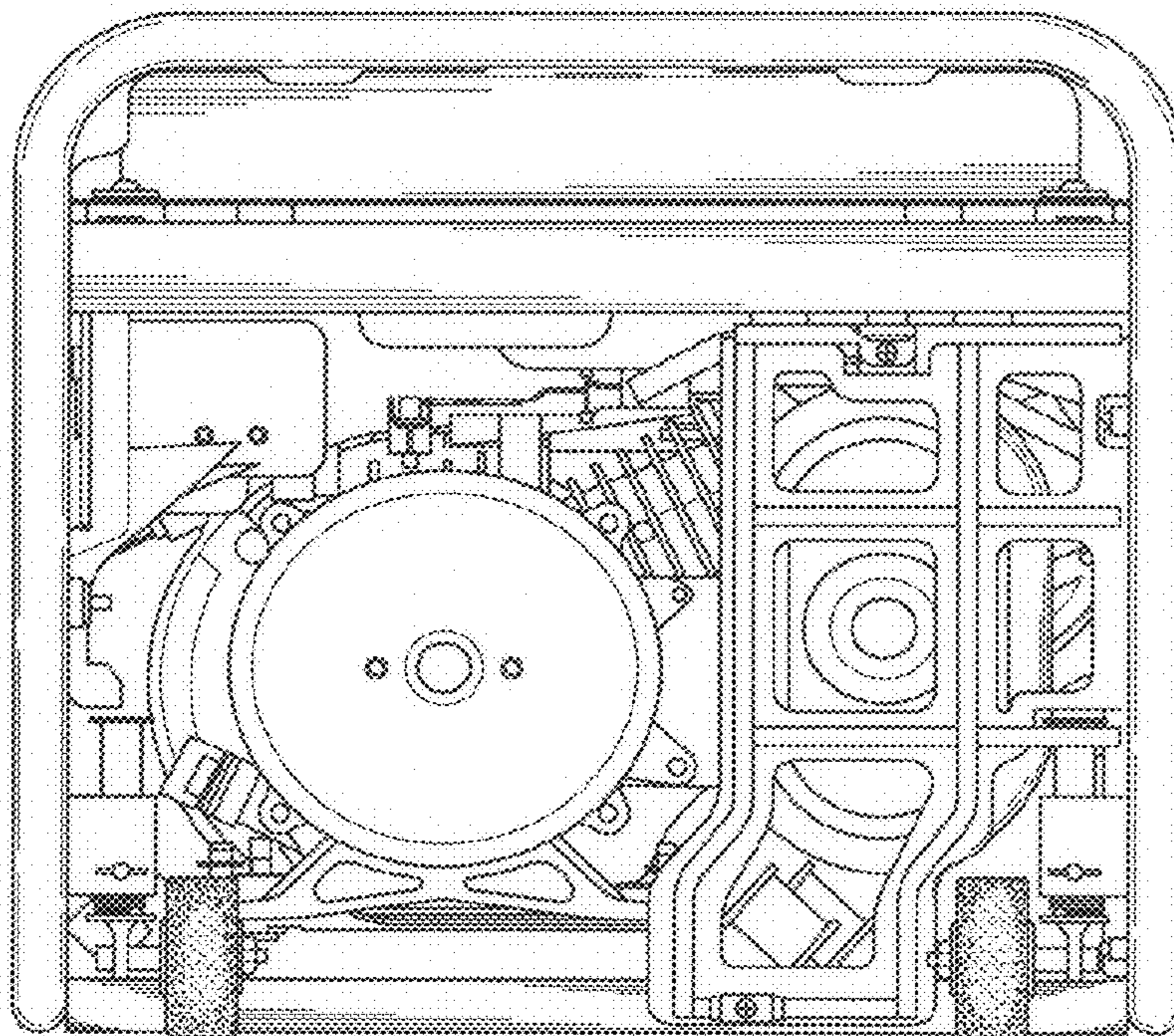


FIG. 5

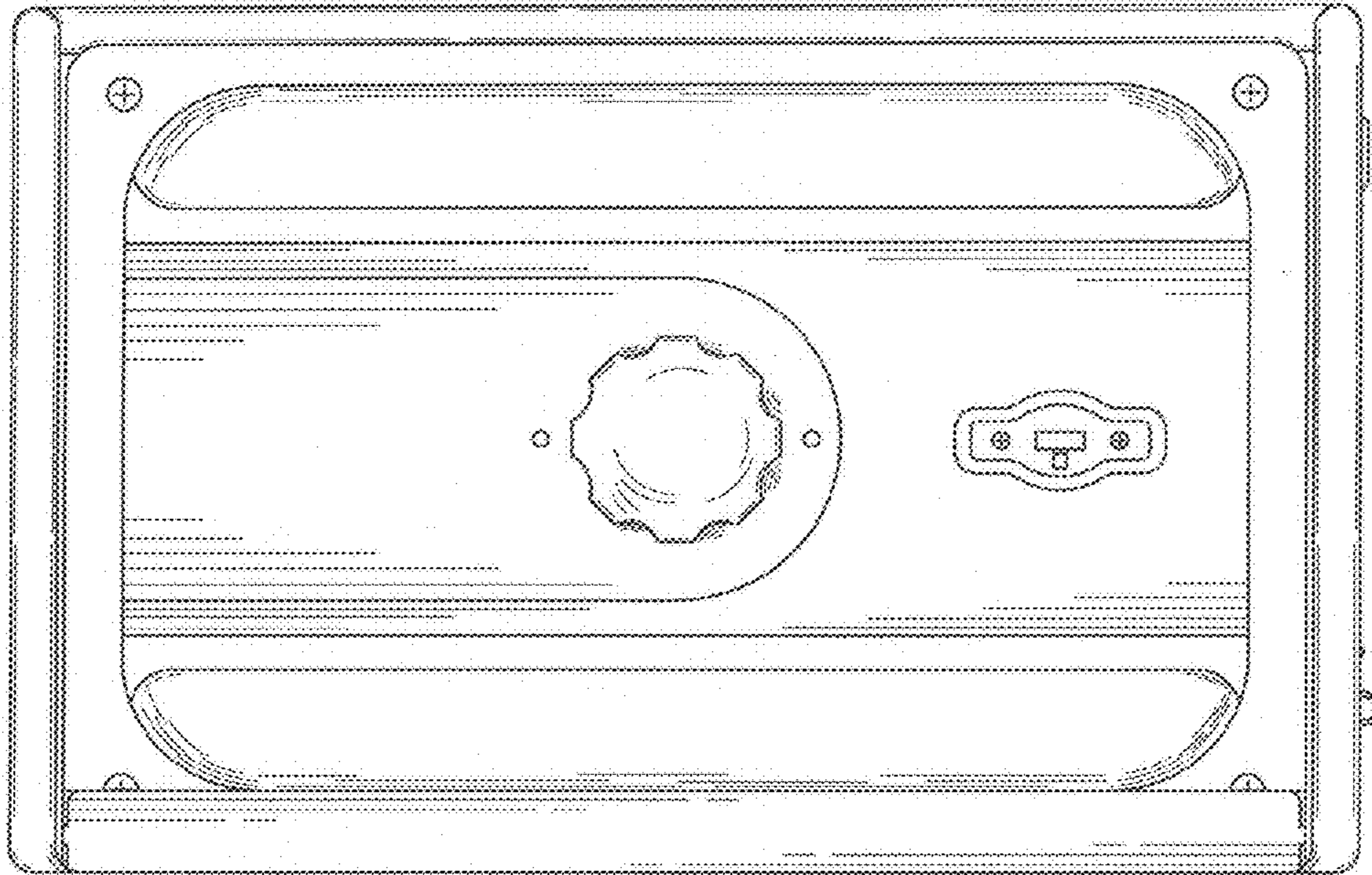


FIG. 6

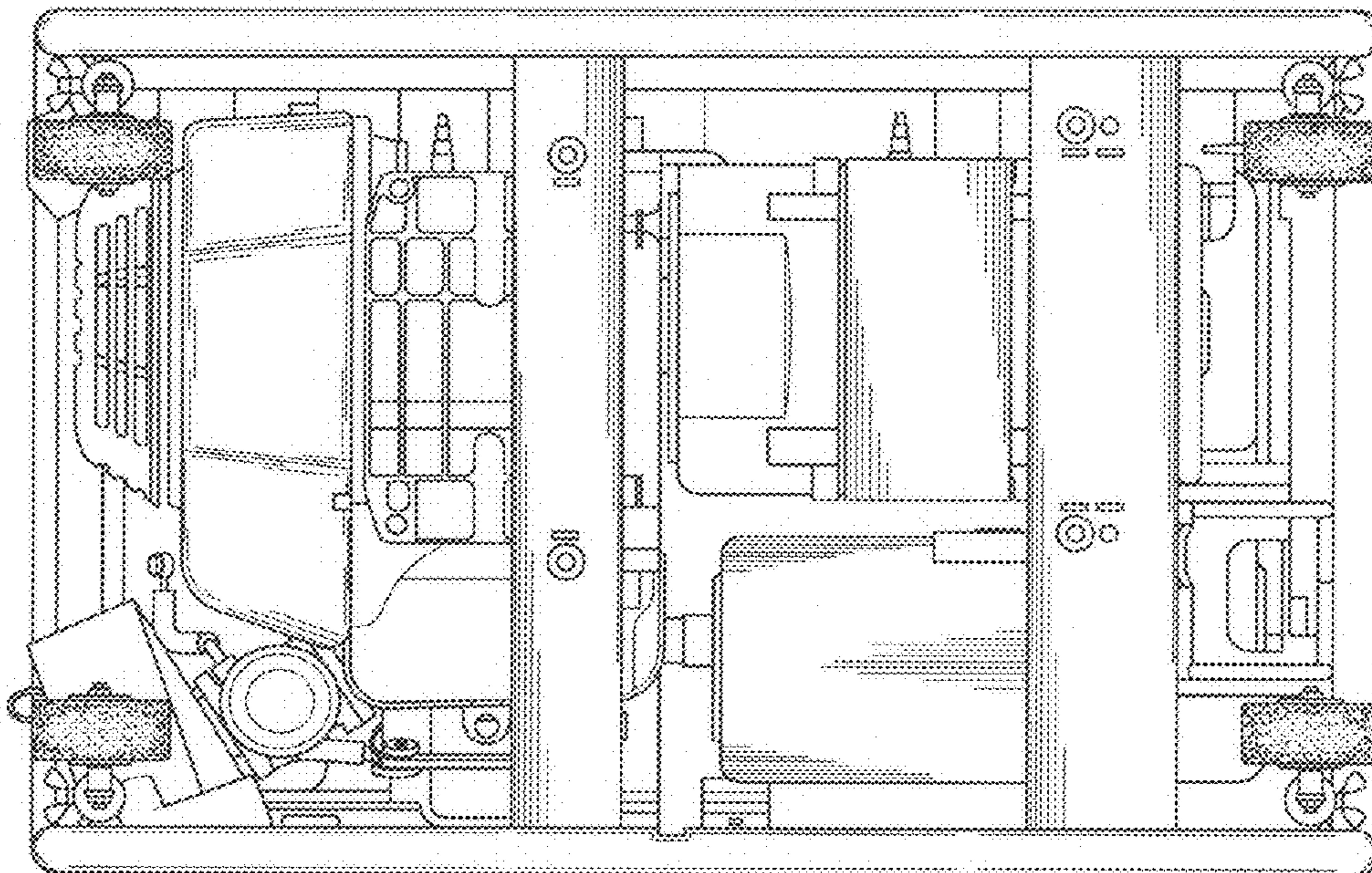


FIG. 7