

US00D575731S

(12) **United States Design Patent**  
**Gherlenda**

(10) **Patent No.:** **US D575,731 S**

(45) **Date of Patent:** **\*\* Aug. 26, 2008**

(54) **MOTOR FOR GATES**

(75) Inventor: **Roberto Gherlenda**, Oderzo (IT)

(73) Assignee: **NICE S.p.A.**, Oderzo (IT)

(\*\*) Term: **14 Years**

(21) Appl. No.: **29/287,442**

(22) Filed: **Aug. 9, 2007**

(30) **Foreign Application Priority Data**

Feb. 26, 2007 (IT) ..... MI2007O0050

(51) **LOC (8) Cl.** ..... **13-01**

(52) **U.S. Cl.** ..... **D13/112**

(58) **Field of Classification Search** ..... D13/112,  
D13/113, 118, 122, 184, 199; D15/7, 199;  
49/280, 340, 349; 310/40 MM, 80, 89, 109,  
310/263, 264; 318/430, 445

See application file for complete search history.

(56) **References Cited**

**U.S. PATENT DOCUMENTS**

D348,075 S \* 6/1994 Meyer ..... D15/199  
D372,457 S \* 8/1996 Okuyama et al. .... D13/112  
D390,188 S \* 2/1998 Norfolk et al. .... D13/112  
6,054,785 A \* 4/2000 Kerdjoudj et al. .... 310/40 MM  
D424,516 S \* 5/2000 Friedrichsen ..... D13/112  
6,204,582 B1 \* 3/2001 Keller et al. .... 310/89

D440,240 S \* 4/2001 Buch ..... D15/149  
D457,493 S \* 5/2002 Borges ..... D13/112  
6,407,474 B1 \* 6/2002 Mahn et al. .... 310/89  
D488,138 S \* 4/2004 Parsadayan et al. .... D13/184  
D505,659 S \* 5/2005 Nagai et al. .... D13/110  
D513,492 S \* 1/2006 Redfield ..... D13/122  
D525,195 S \* 7/2006 Palese ..... D13/112

\* cited by examiner

*Primary Examiner*—Prabhakar Deshmukh

*Assistant Examiner*—Derrick Holland

(74) *Attorney, Agent, or Firm*—Modiano & Associati; Albert Josif; Daniel J. O’Byrne

(57) **CLAIM**

The ornamental design for a motor for gates, as shown and described.

**DESCRIPTION**

FIG. 1 is a first perspective view of a motor for gates showing my new design;

FIG. 2 is a second perspective view thereof;

FIG. 3 is a front elevation view thereof;

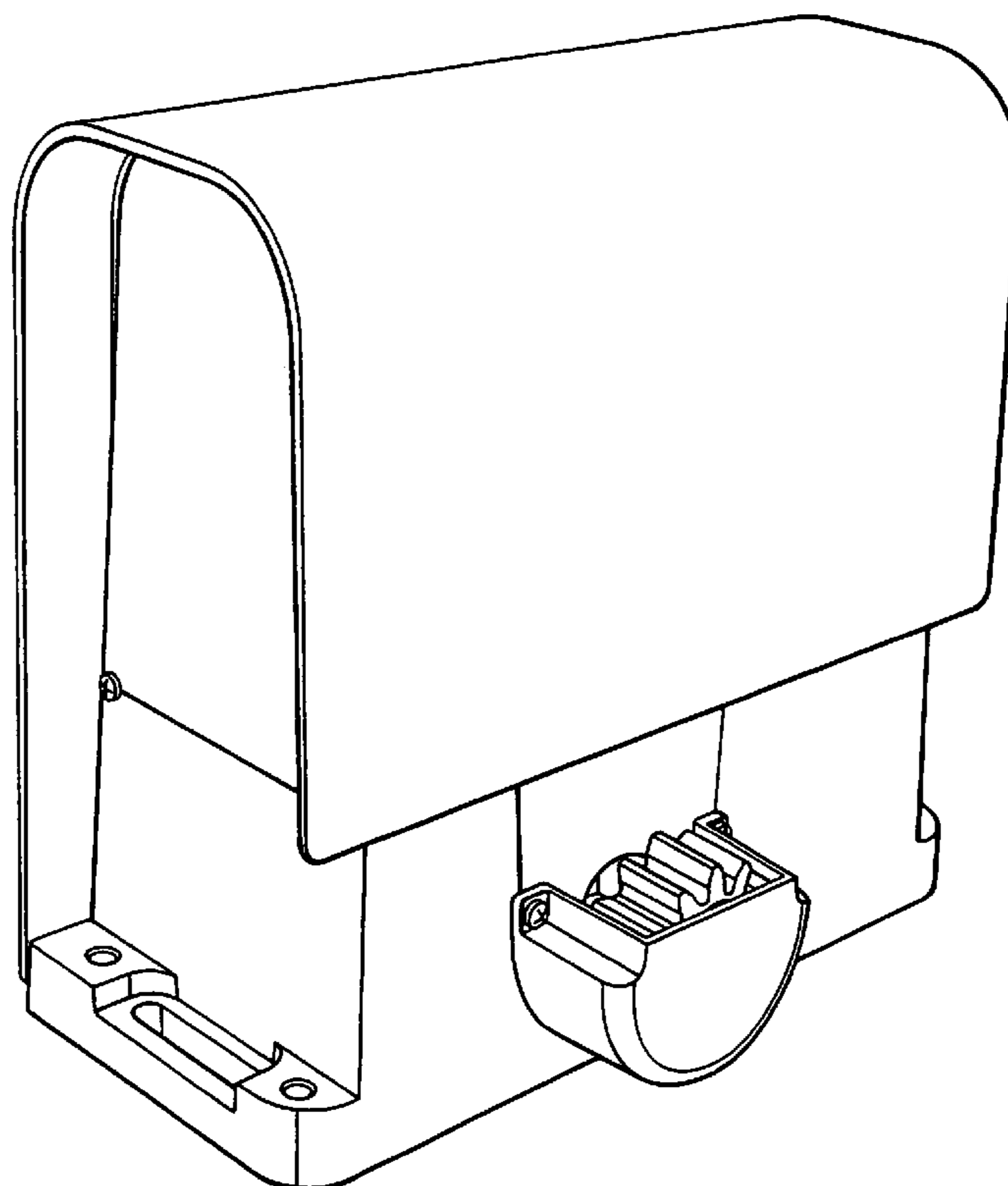
FIG. 4 is a rear elevation view thereof;

FIG. 5 is a right side elevation view thereof;

FIG. 6 is a left side elevation view thereof; and,

FIG. 7 is a top plan view thereof.

**1 Claim, 7 Drawing Sheets**



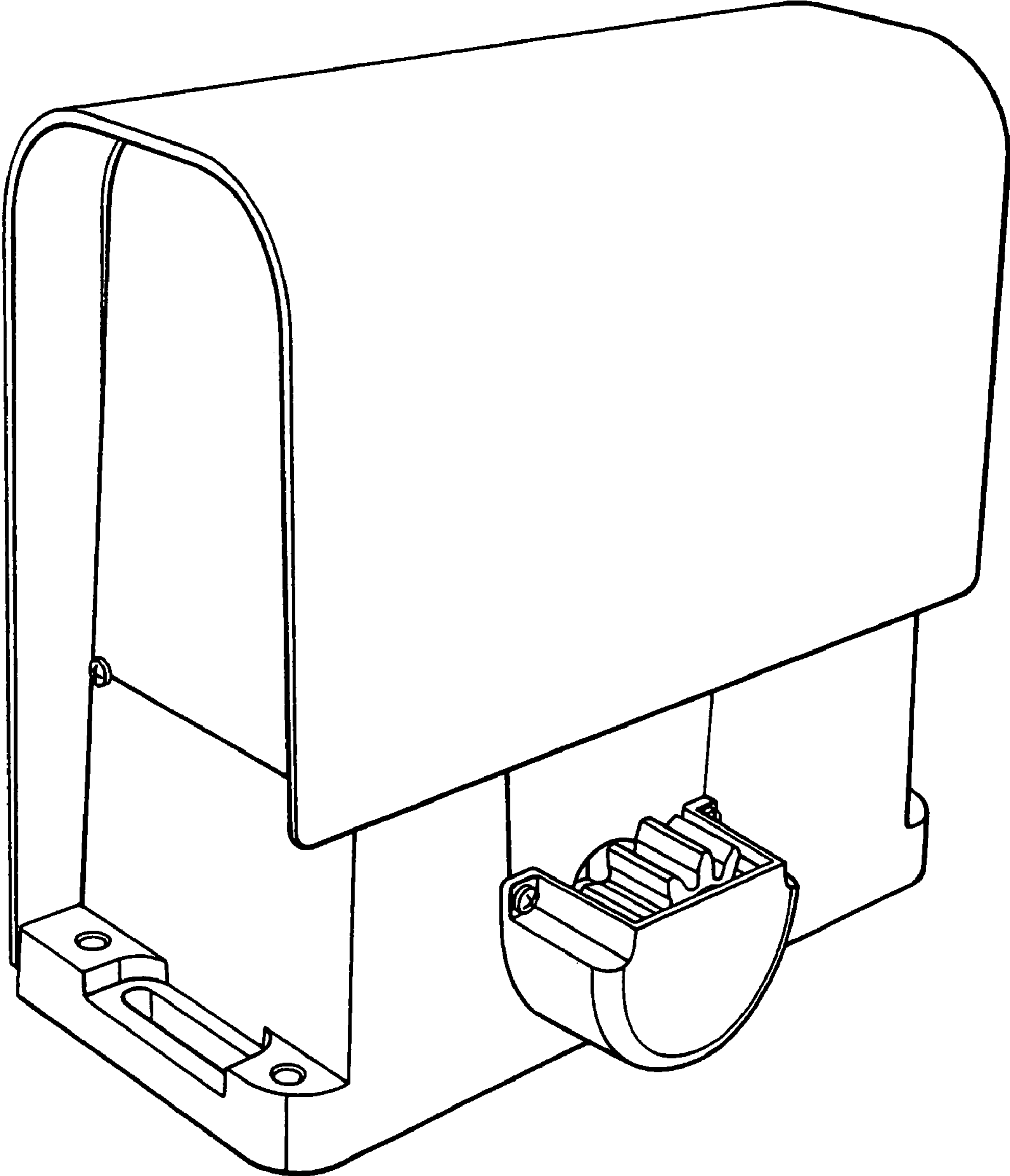


FIG. 1

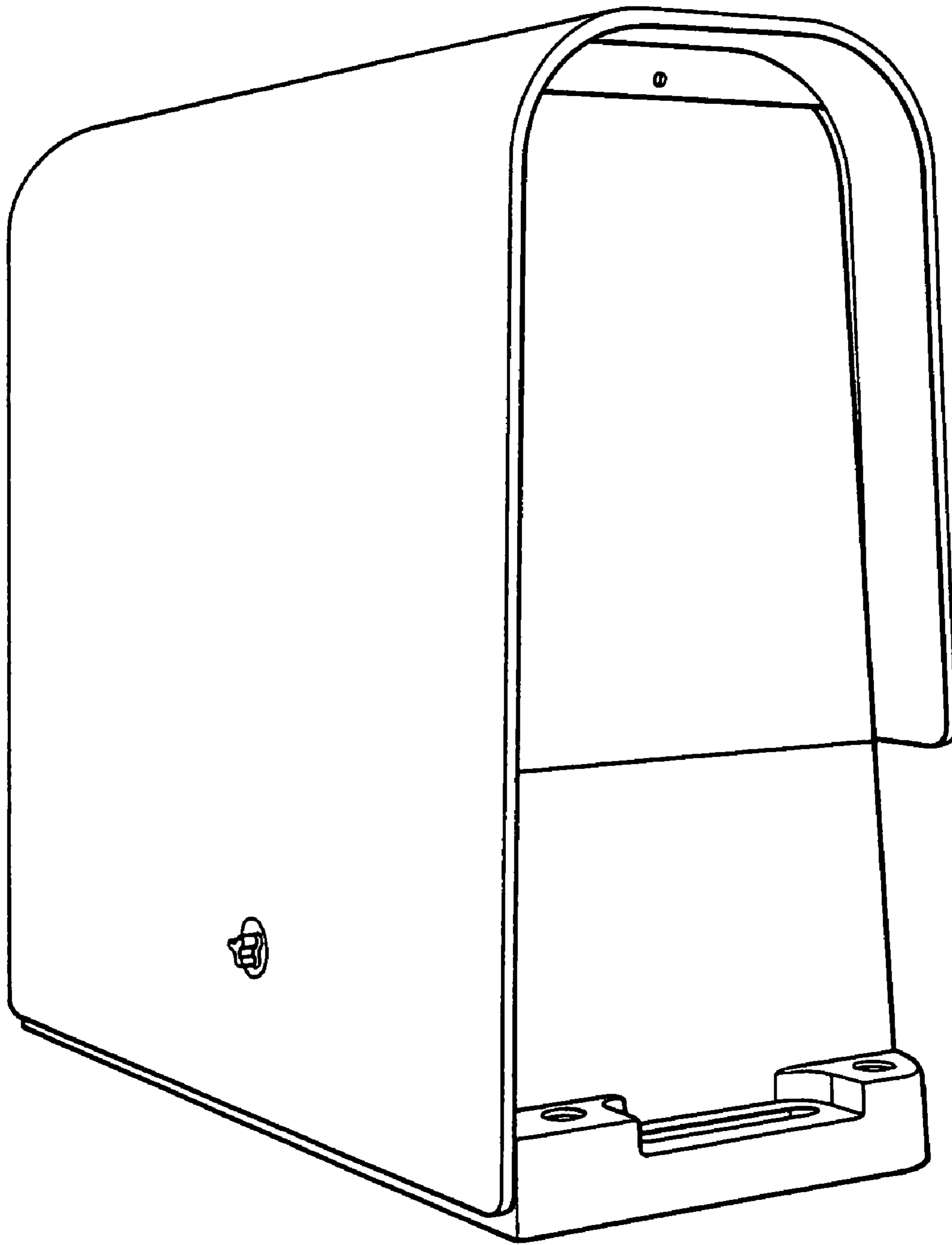


Fig. 2

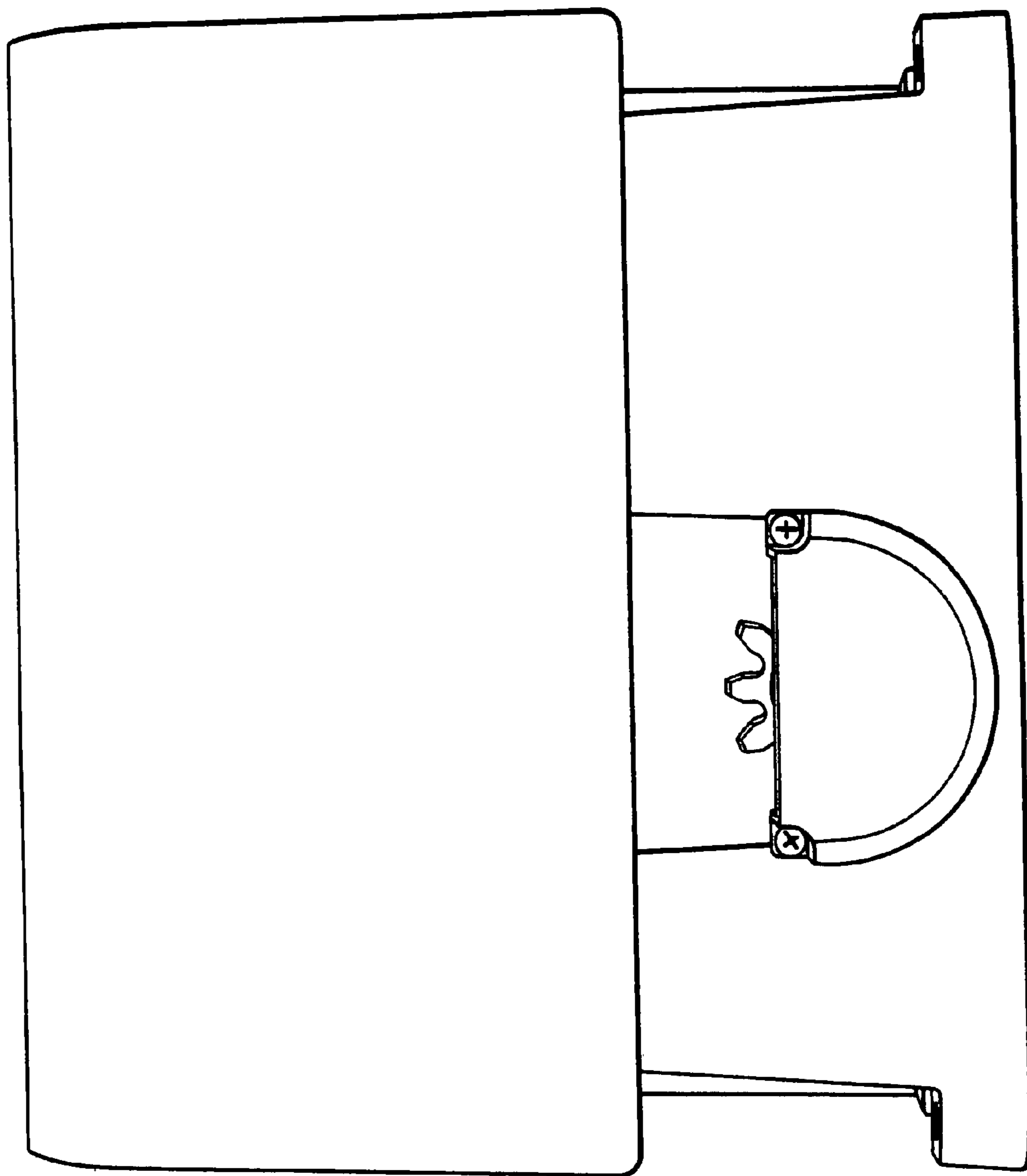
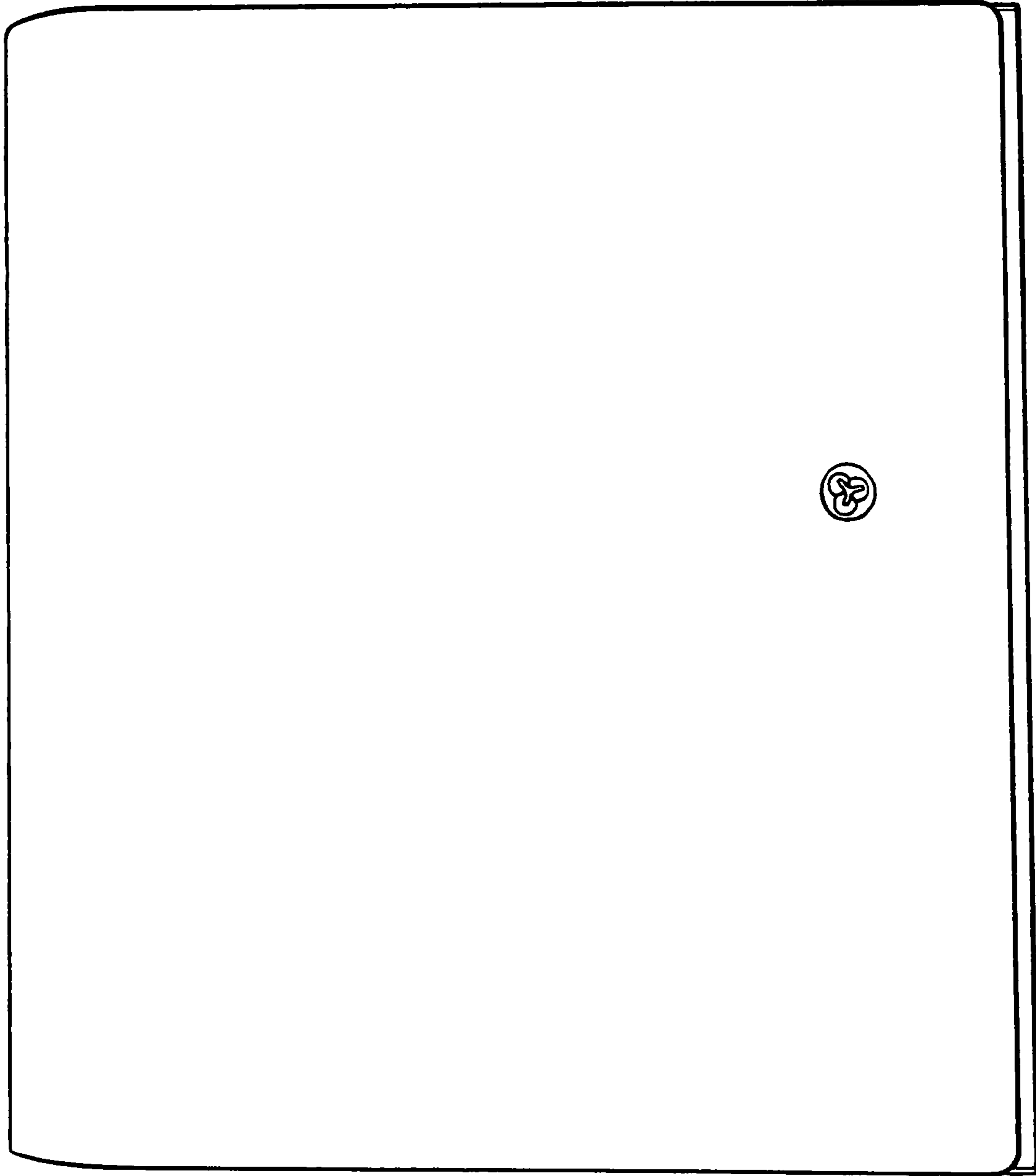
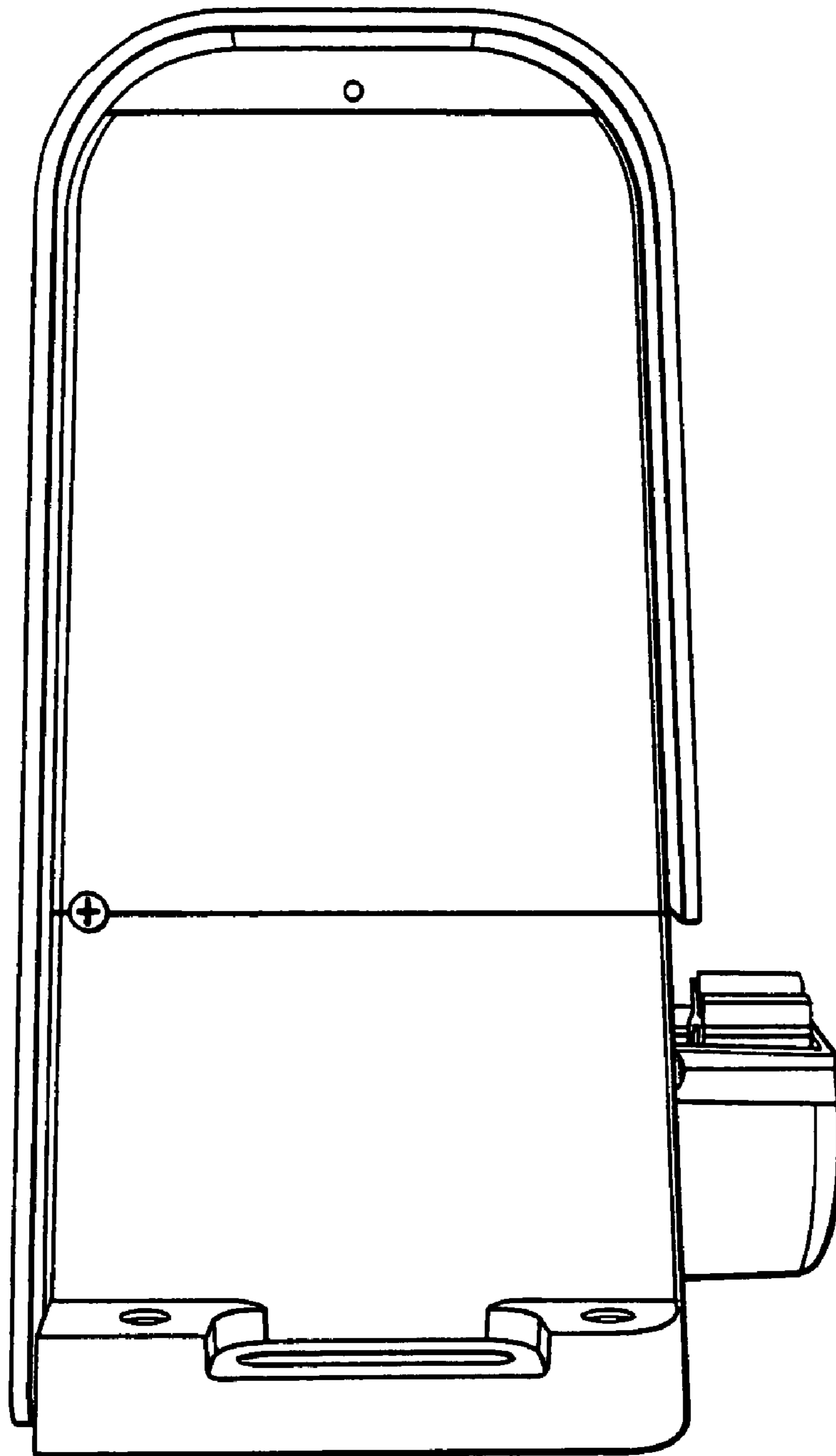


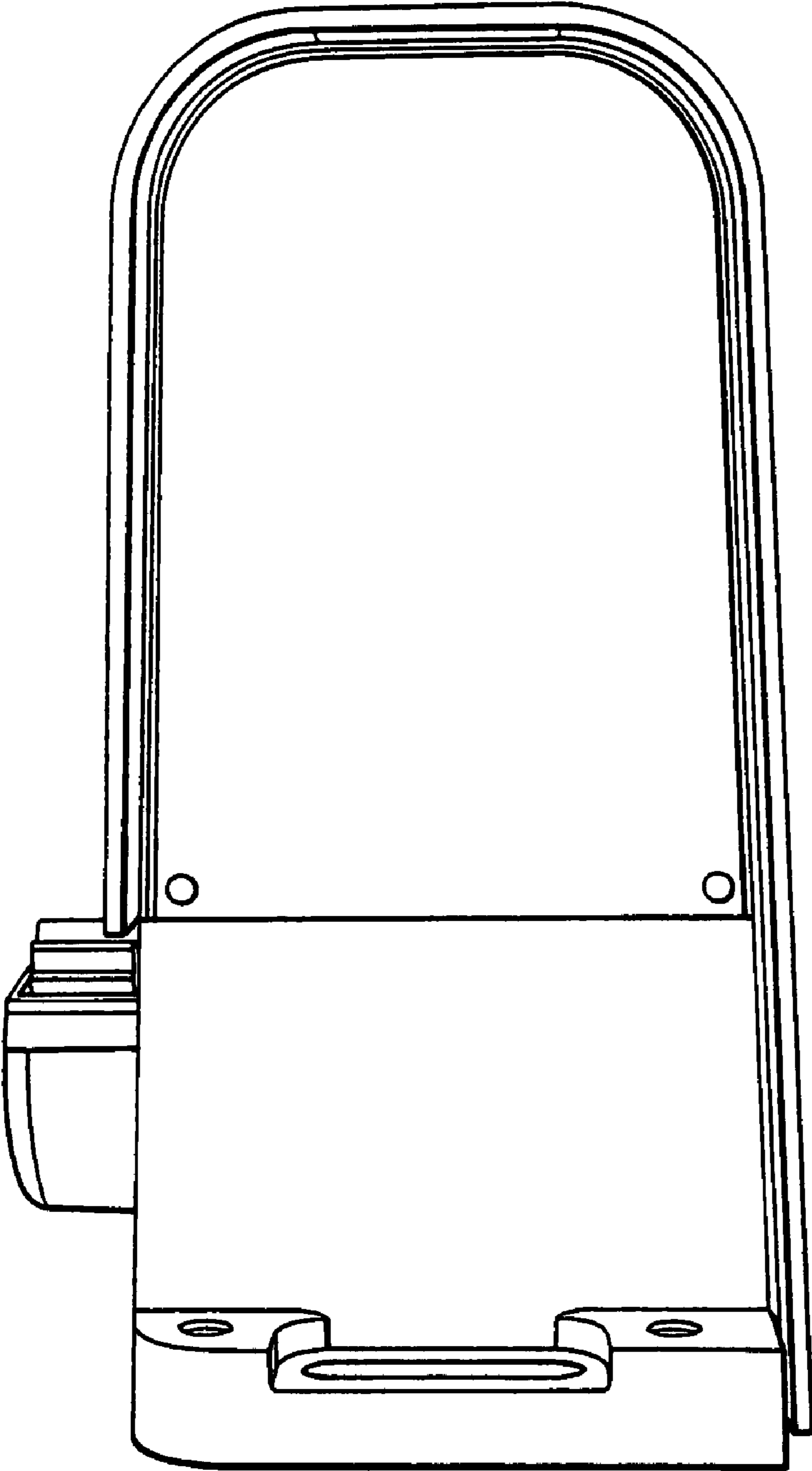
Fig. 3



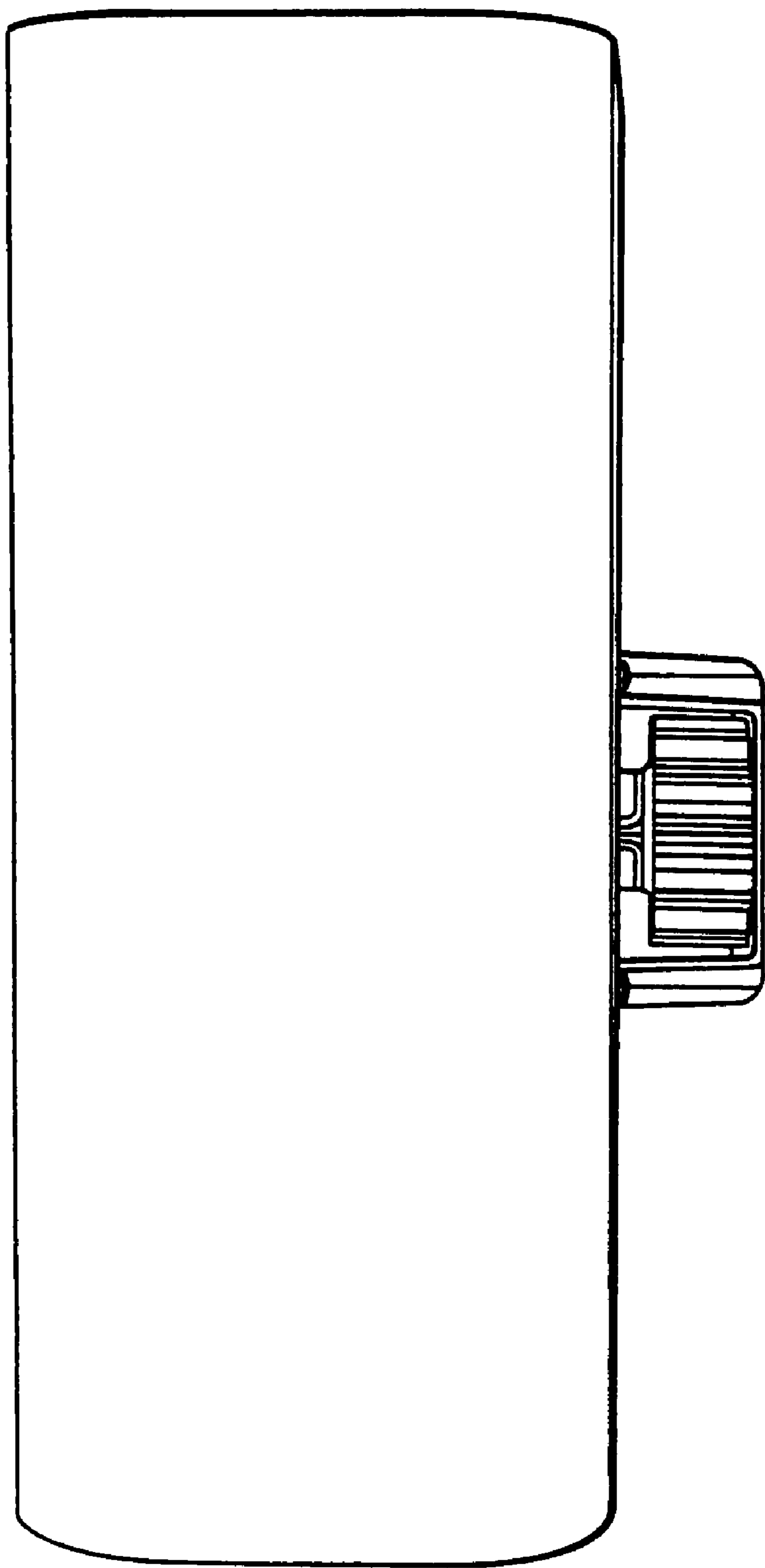
*FIG. 4*



*FIG. 5*



*FIG. 6*



*FIG. 7*