

US00D575721S

(12) **United States Design Patent**
Ahern

(10) **Patent No.:** **US D575,721 S**

(45) **Date of Patent:** **** Aug. 26, 2008**

(54) **MODULAR FLOATING DOCK FENDER**

(76) Inventor: **Roy Ahern**, 1120 Front St., Hudson, WI
(US) 54016

(**) Term: **14 Years**

(21) Appl. No.: **29/292,888**

(22) Filed: **Oct. 31, 2007**

(51) **LOC (8) Cl.** **12-06**

(52) **U.S. Cl.** **D12/317; D12/168**

(58) **Field of Classification Search** D12/167-172,
D12/316, 317, 361; 114/219, 231, 220; 405/212-215;
D25/35

See application file for complete search history.

(56) **References Cited**

U.S. PATENT DOCUMENTS

2,578,291	A *	12/1951	Dickson, Jr.	114/219
3,197,189	A *	7/1965	Pemper et al.	114/219
4,281,610	A *	8/1981	Young	114/219
4,964,760	A *	10/1990	Hartman	405/215
5,562,364	A *	10/1996	Darder-Alomar	405/215
D403,635	S *	1/1999	Richardson et al.	D12/168
5,878,685	A *	3/1999	Hemphill et al.	114/219
D419,242	S *	1/2000	Coons	D25/35
6,021,729	A *	2/2000	DeRuscio	114/219

6,477,973 B1 * 11/2002 Kobas 114/219
2003/0217684 A1 * 11/2003 Chaffee 114/361

* cited by examiner

Primary Examiner—Holly H. Baynham

Assistant Examiner—Cynthia M Chin

(74) *Attorney, Agent, or Firm*—Robert A. Elwell

(57) **CLAIM**

The ornamental design for a “modular floating dock fender,” as shown and described.

DESCRIPTION

FIG. 1 is a reduced perspective view of a modular floating dock fender, showing my new design from the front, top and left side, wherein a portion of a floating modular dock is shown in phantom as forming no part of the claimed design;

FIG. 2 is a front side elevational view of the modular floating dock fender;

FIG. 3 is a top plan view thereof;

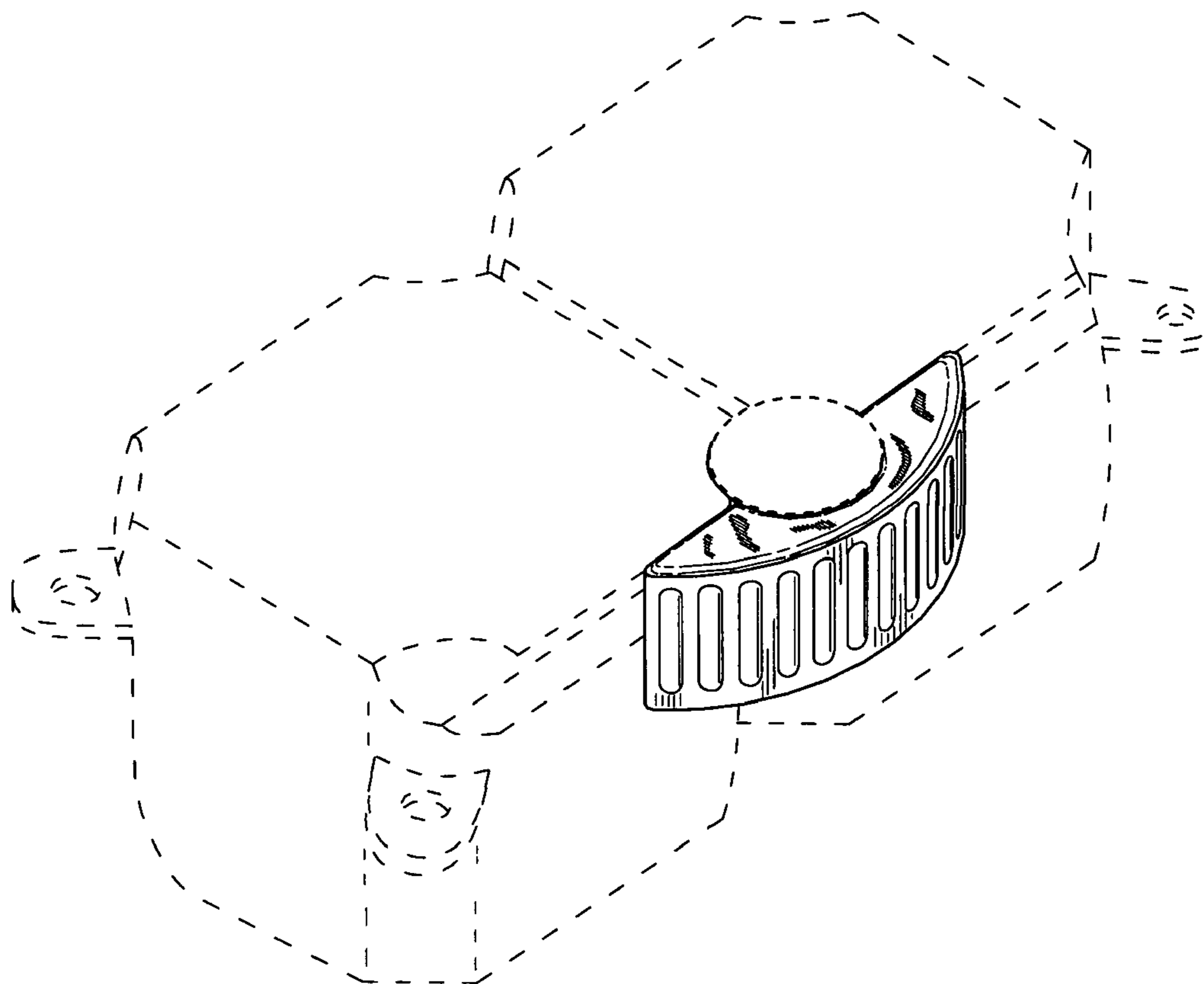
FIG. 4 is a bottom plan view thereof;

FIG. 5 is a left side elevational view;

FIG. 6 is a right side elevational view thereof; and,

FIG. 7 is a rear side elevational side view thereof.

1 Claim, 7 Drawing Sheets



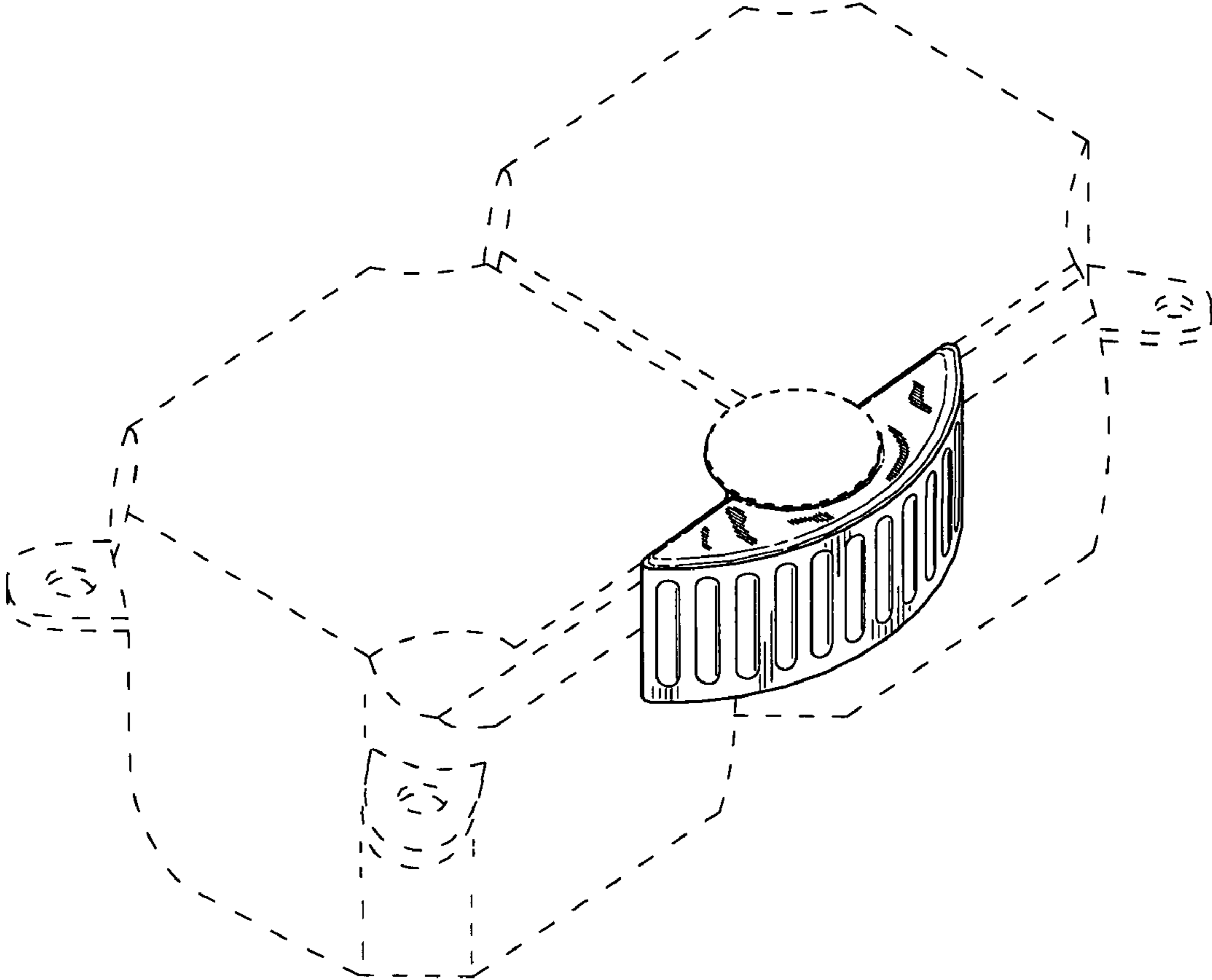


FIG. 1

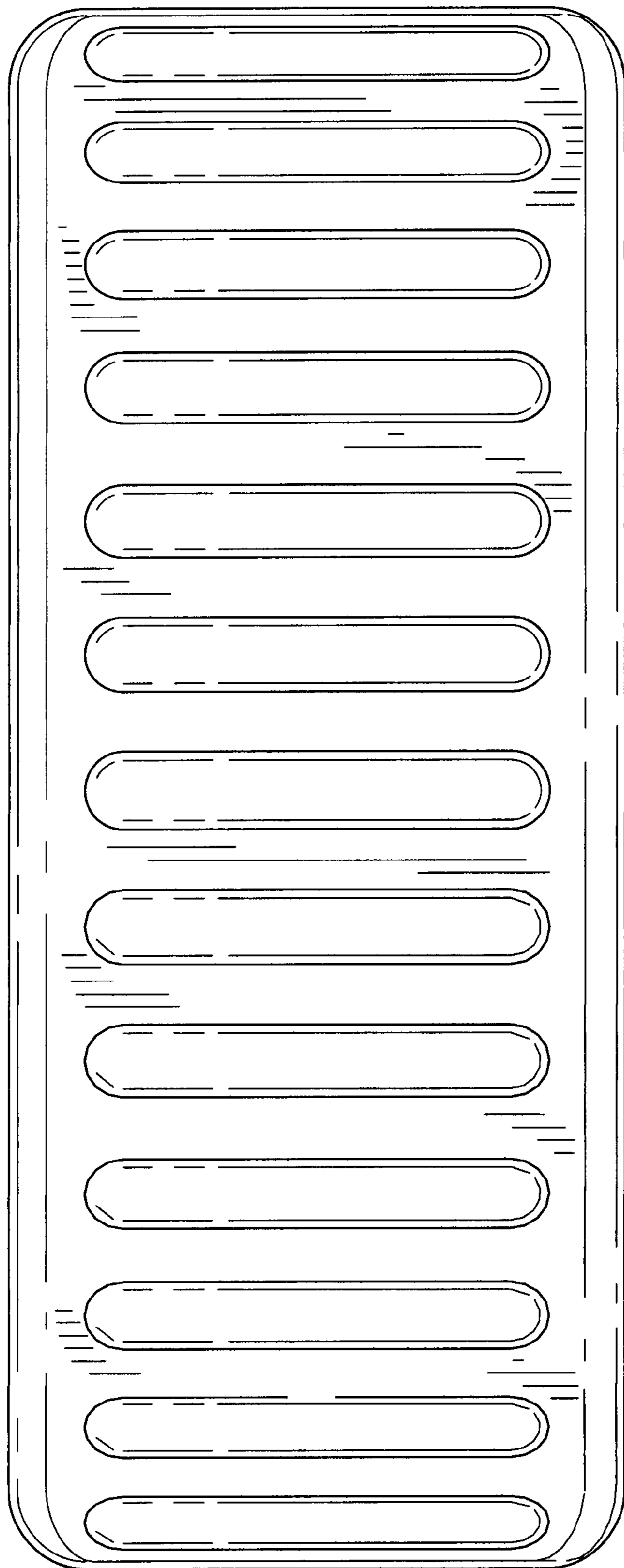


FIG. 2

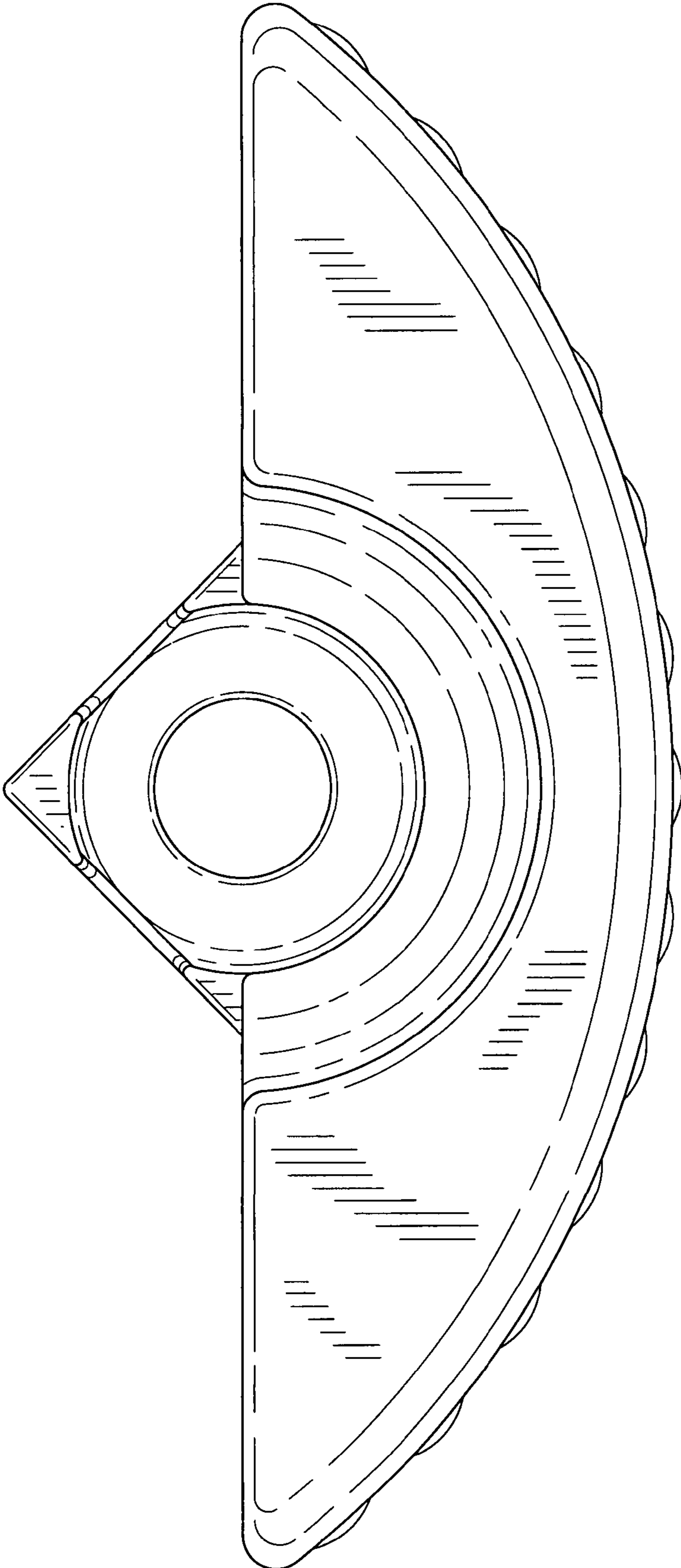


FIG. 3

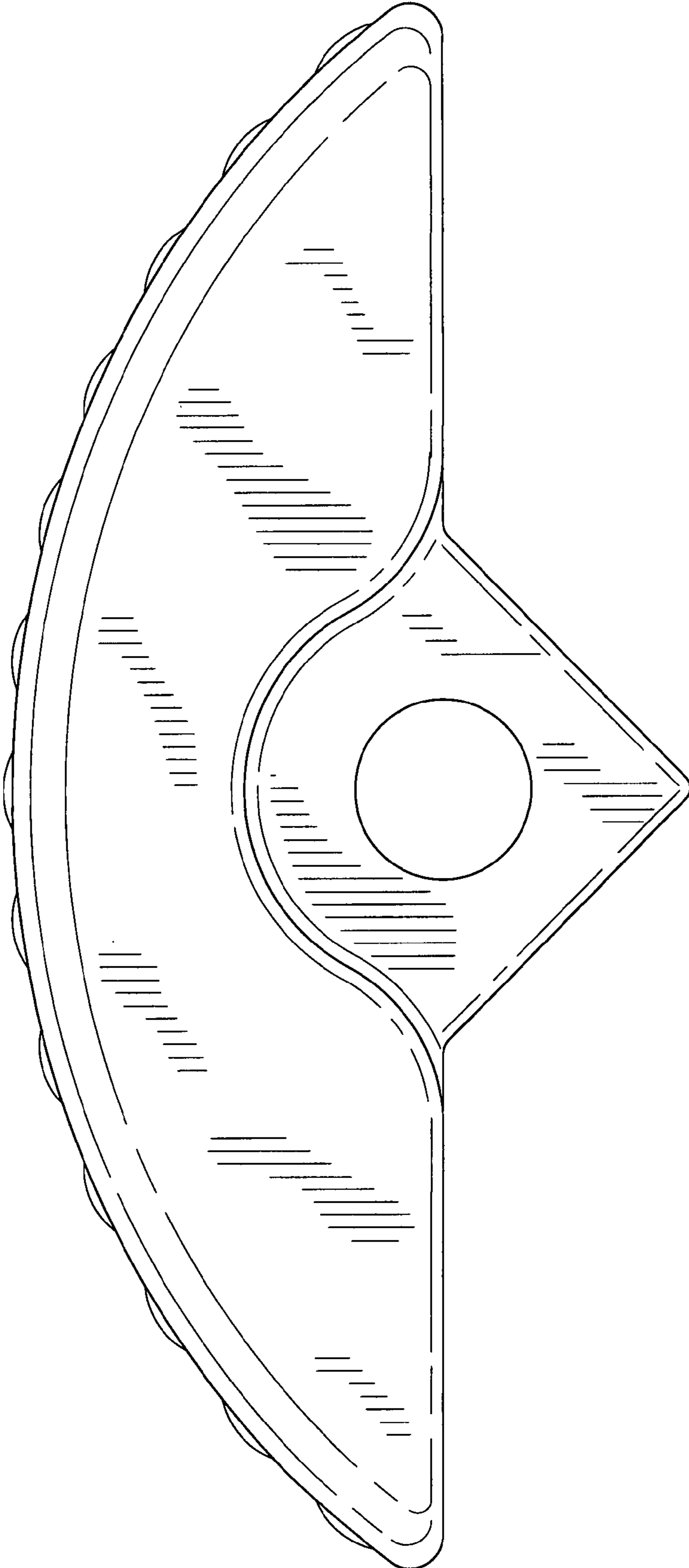


FIG. 4

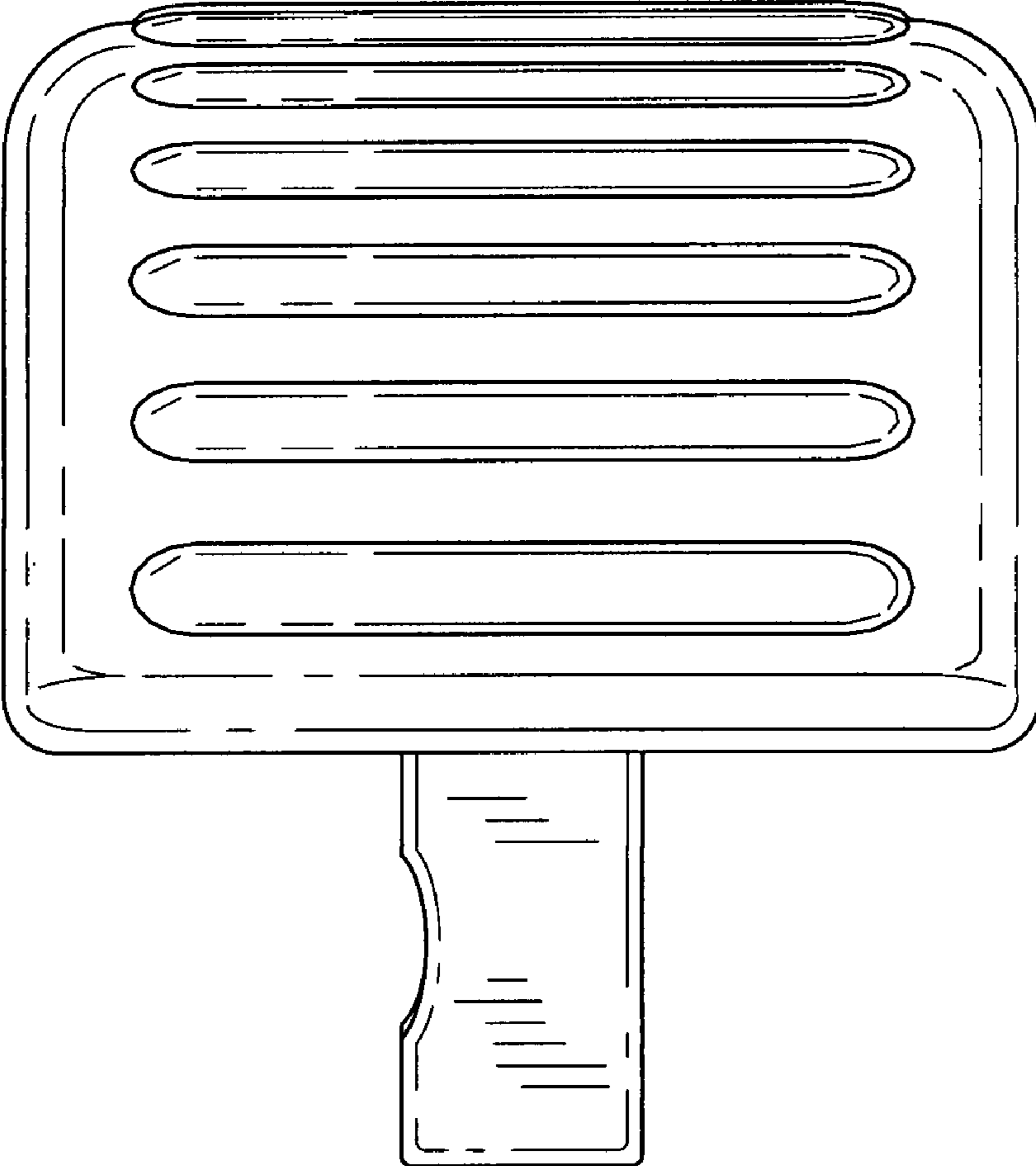


FIG. 5

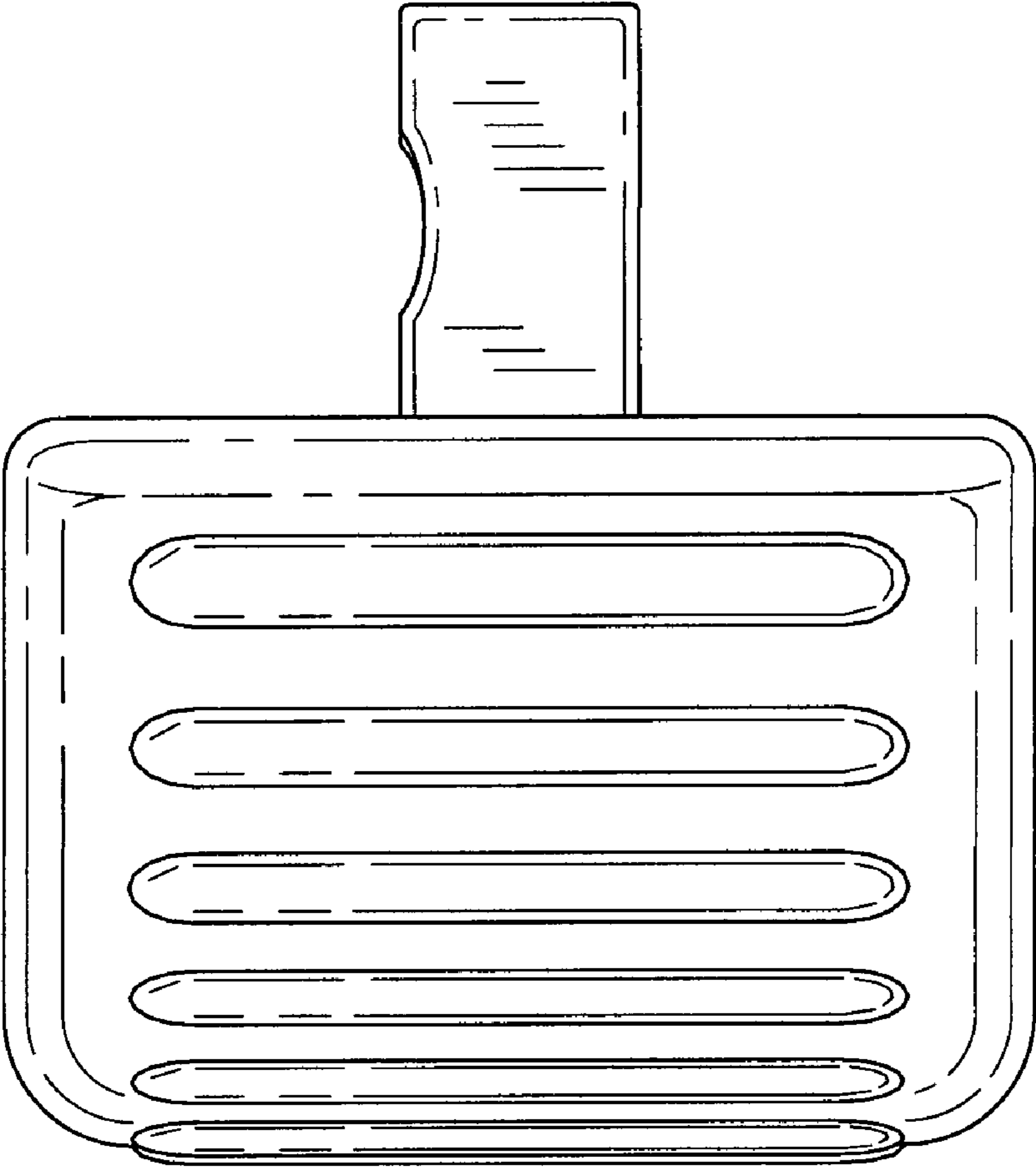


FIG. 6

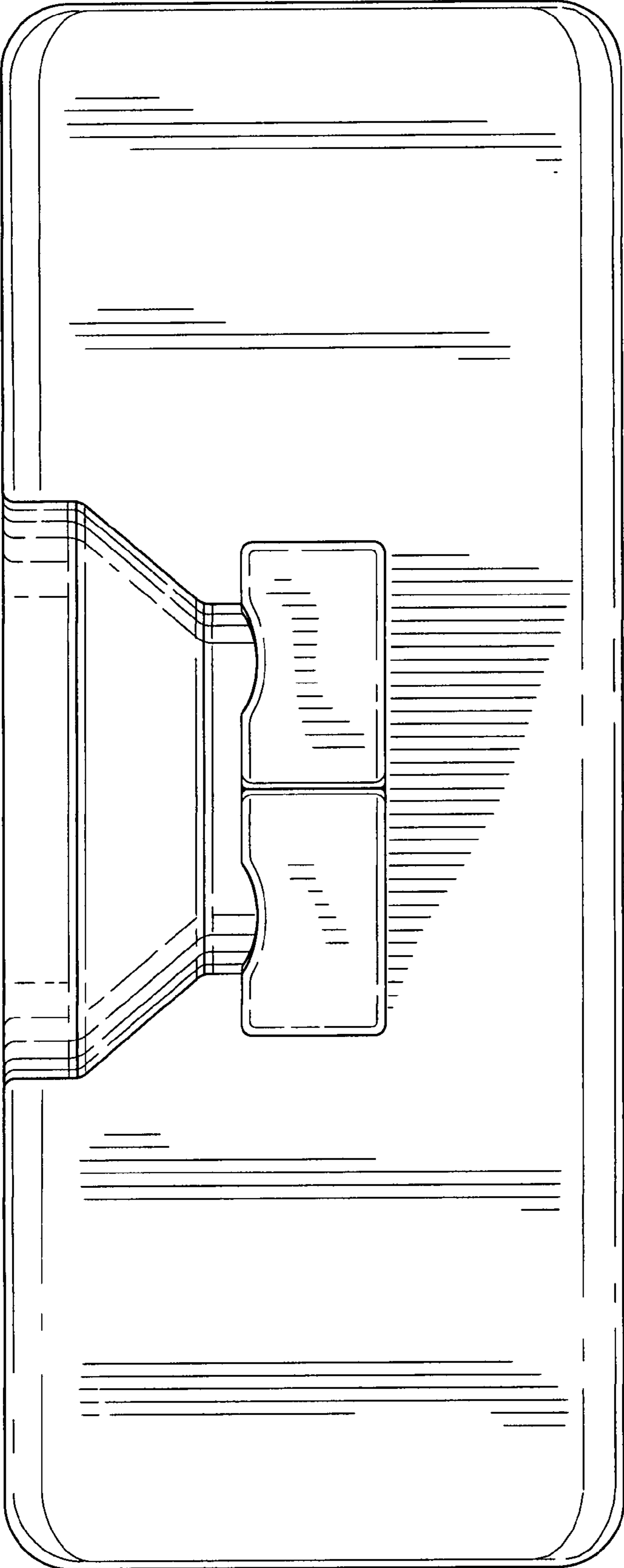


FIG. 7