



US00D575718S

(12) **United States Design Patent**
Pfeiffer

(10) **Patent No.:** **US D575,718 S**

(45) **Date of Patent:** **** Aug. 26, 2008**

(54) **FRONT FACE OF A VEHICLE WHEEL**

(75) Inventor: **Peter Pfeiffer**, Boeblingen (DE)

(73) Assignee: **Daimler AG**, Stuttgart (DE)

(**) Term: **14 Years**

(21) Appl. No.: **29/287,793**

(22) Filed: **Sep. 20, 2007**

(30) **Foreign Application Priority Data**

Mar. 21, 2007 (EM) 000691902-0001

(51) **LOC (8) Cl.** **12-16**

(52) **U.S. Cl.** **D12/211**

(58) **Field of Classification Search** D12/204-213;
301/37.101, 64.101, 65, 64.201

See application file for complete search history.

(56) **References Cited**

U.S. PATENT DOCUMENTS

D438,505 S *	3/2001	McMath	D12/211
D480,343 S *	10/2003	Oh	D12/209
D480,674 S *	10/2003	Lecher et al.	D12/209
D493,761 S *	8/2004	Kang	D12/211
D503,918 S *	4/2005	Fahr-Becker	D12/211
D520,433 S *	5/2006	Hosoi	D12/211
D527,334 S *	8/2006	Hettler	D12/211
D530,253 S *	10/2006	Coutts	D12/209

D530,657 S * 10/2006 Pfeiffer D12/211

D531,565 S * 11/2006 Pfeiffer D12/211

D538,216 S * 3/2007 Sycha D12/209

D562,207 S * 2/2008 Pfeiffer D12/211

D563,304 S * 3/2008 Pfeiffer et al. D12/211

* cited by examiner

Primary Examiner—Stacia Cadmus

(74) *Attorney, Agent, or Firm*—Crowell & Moring LLP

(57) **CLAIM**

The ornamental design for a front face of a vehicle wheel, as shown and described.

DESCRIPTION

This application is related to the following co-pending application: Application Ser. No. 29/274,049, entitled Front Face of a Vehicle Wheel.

FIG. 1 is a front view of a first embodiment of a front face of a vehicle wheel according to my novel design; and

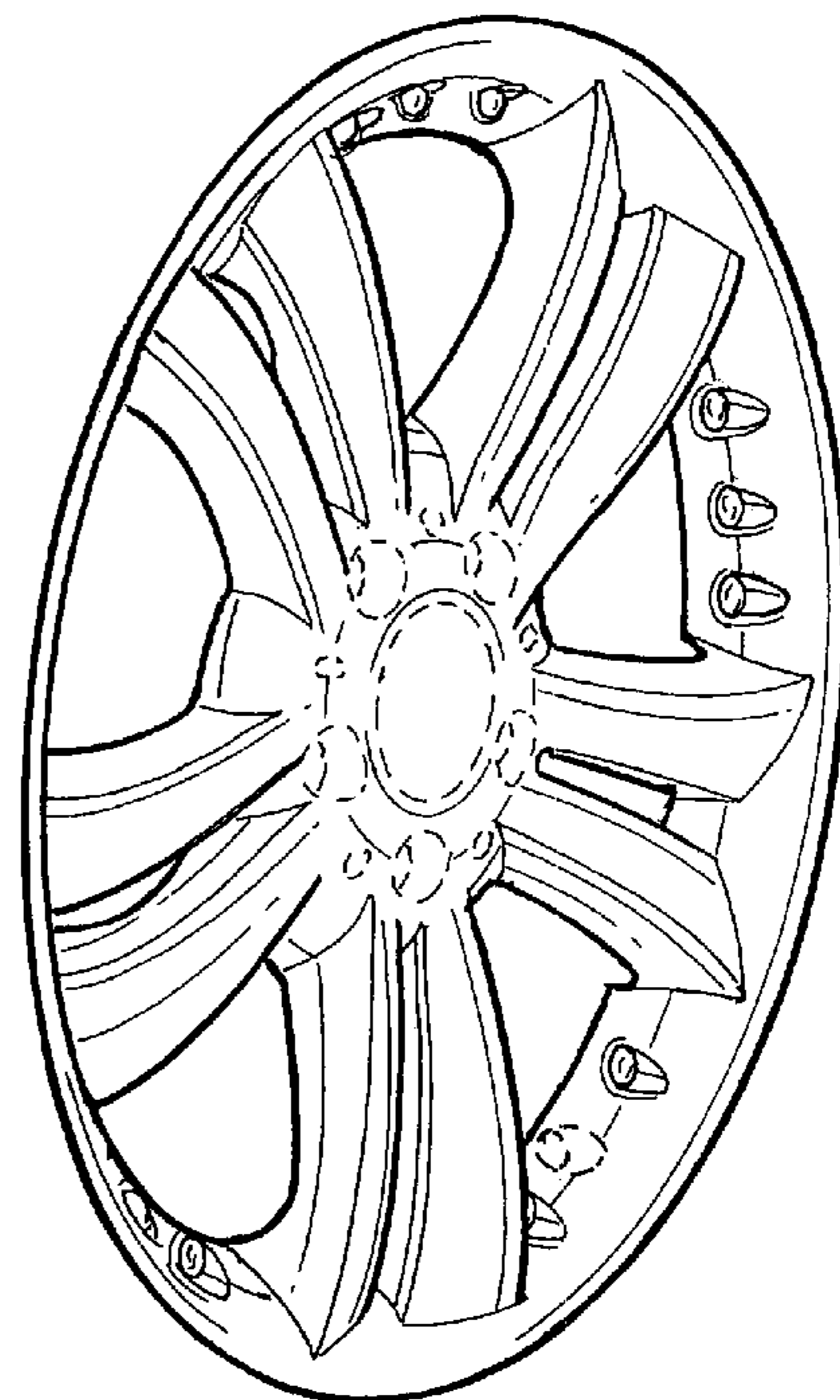
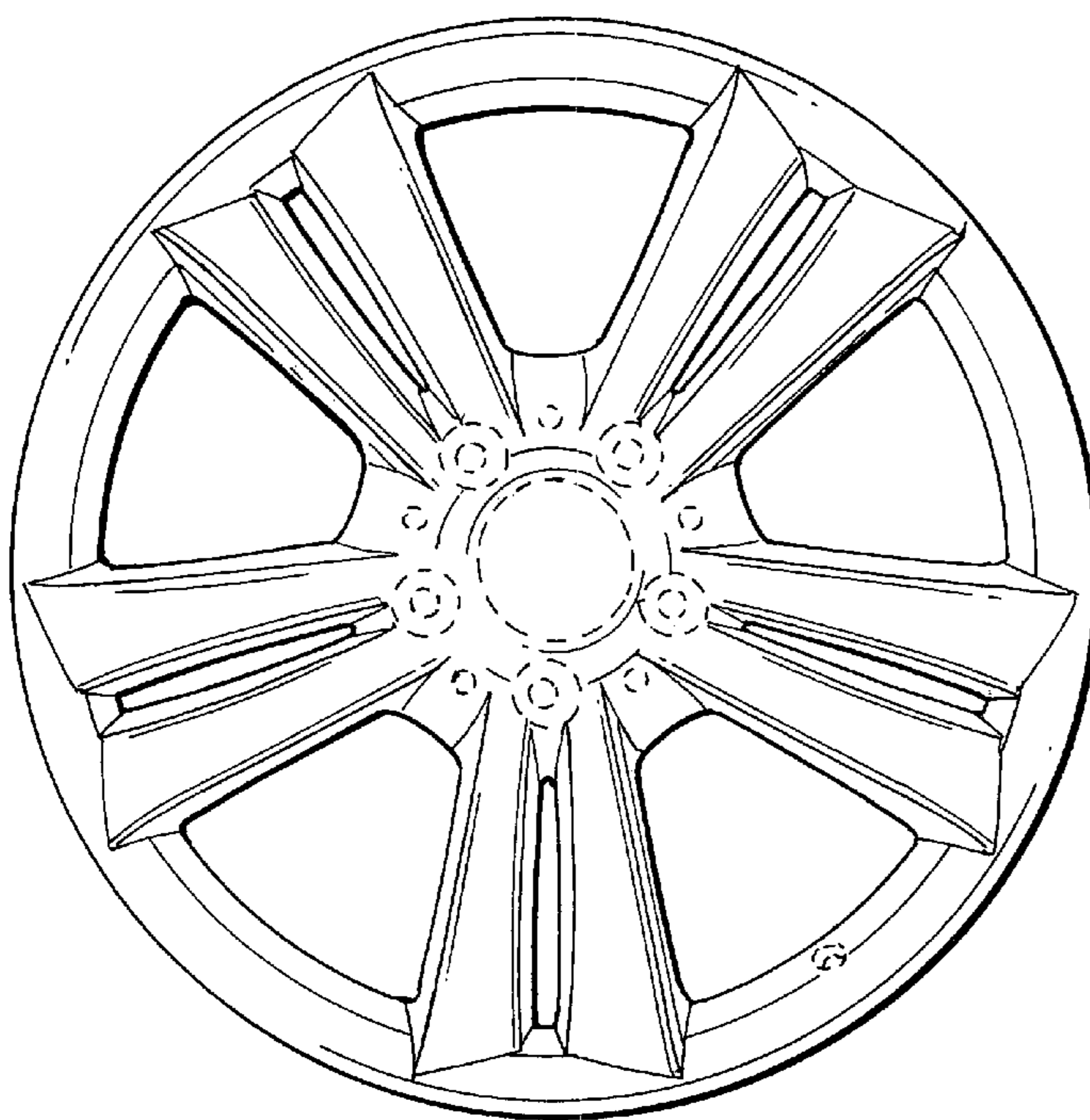
FIG. 2 is a perspective view thereof.

FIG. 3 is a front view of a second embodiment of the front face of a vehicle wheel according to my novel design; and,

FIG. 4 is a perspective view thereof.

The broken lines are for illustrative purposes only and form no part of the claimed design.

1 Claim, 2 Drawing Sheets



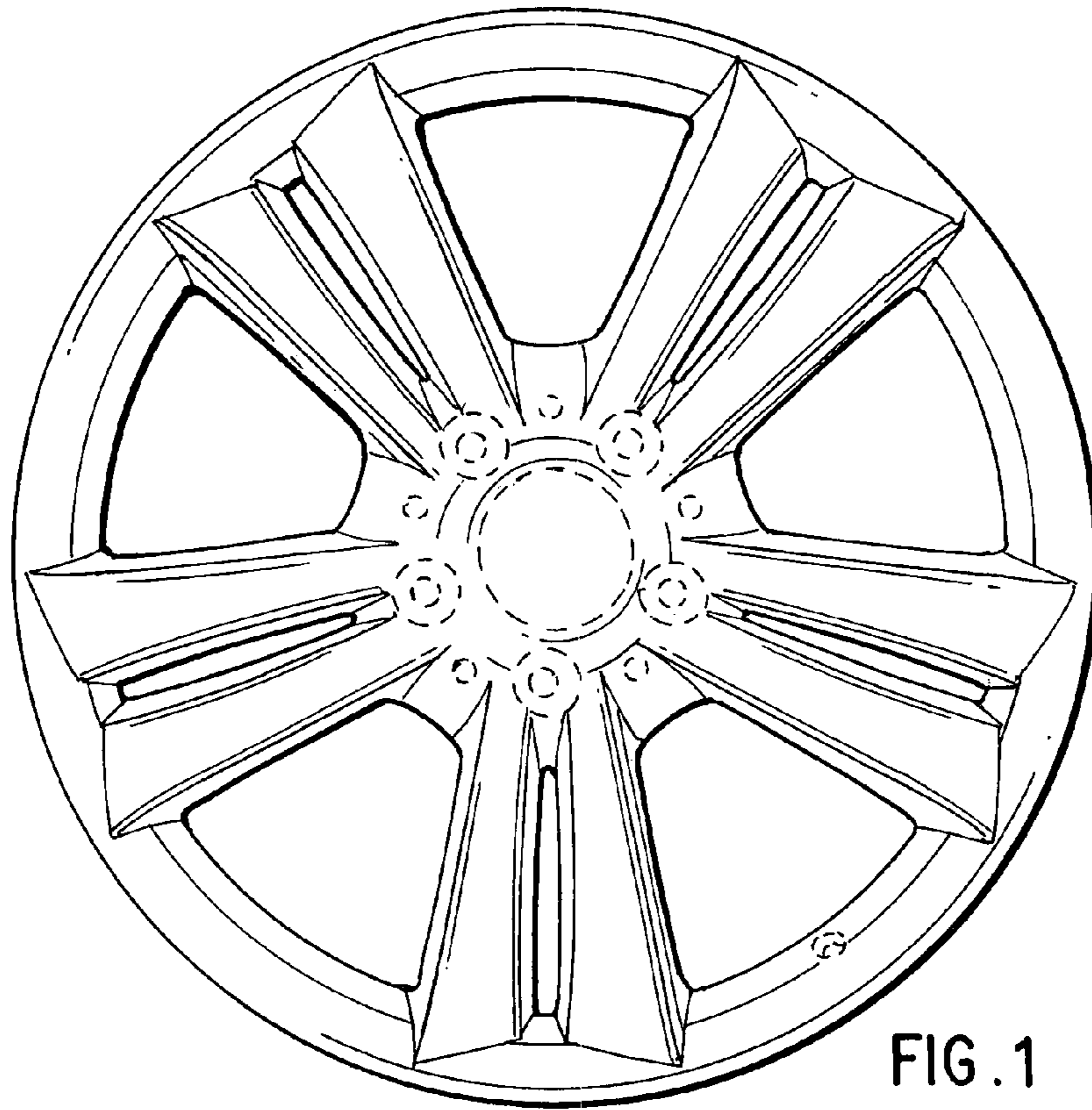


FIG. 1

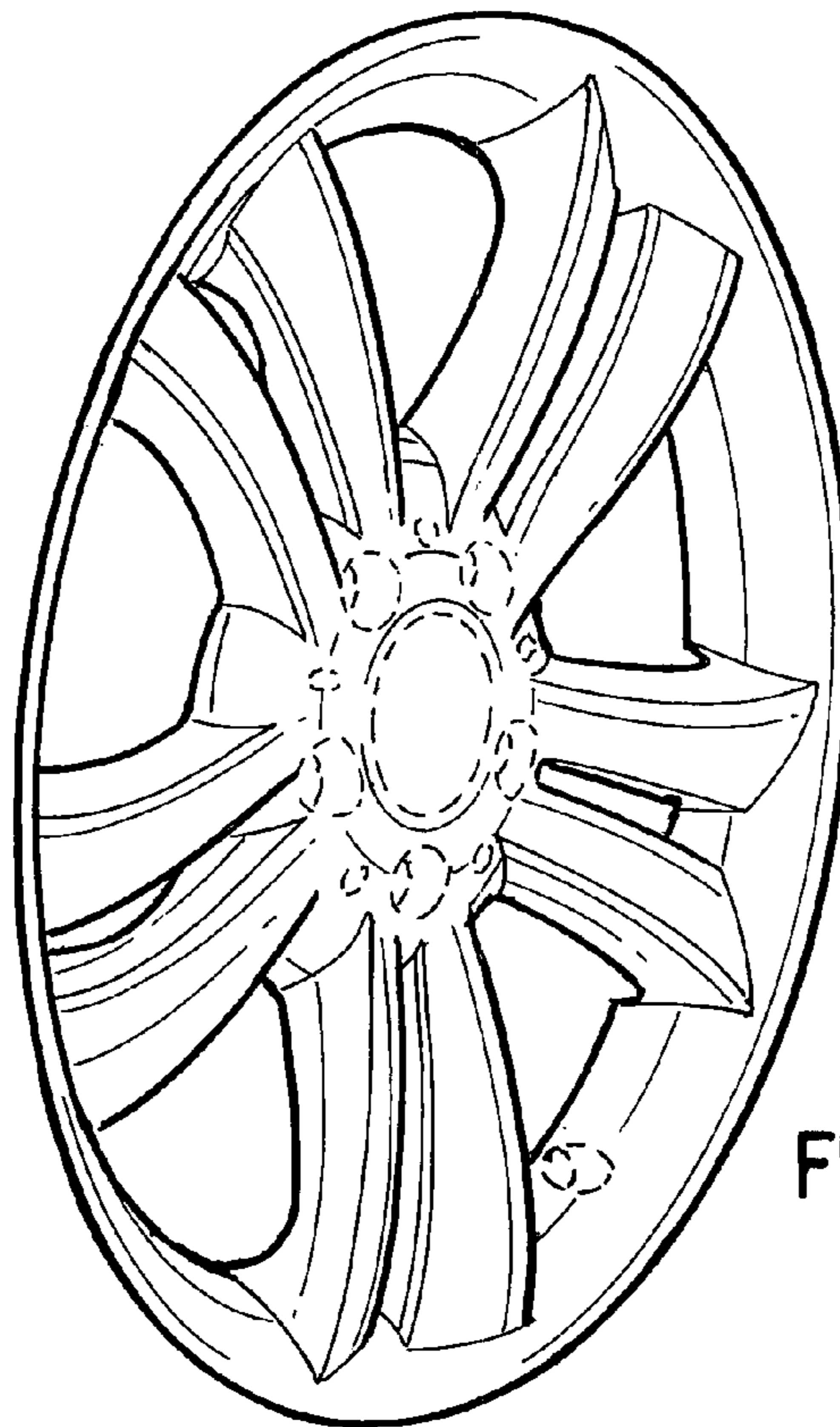


FIG. 2

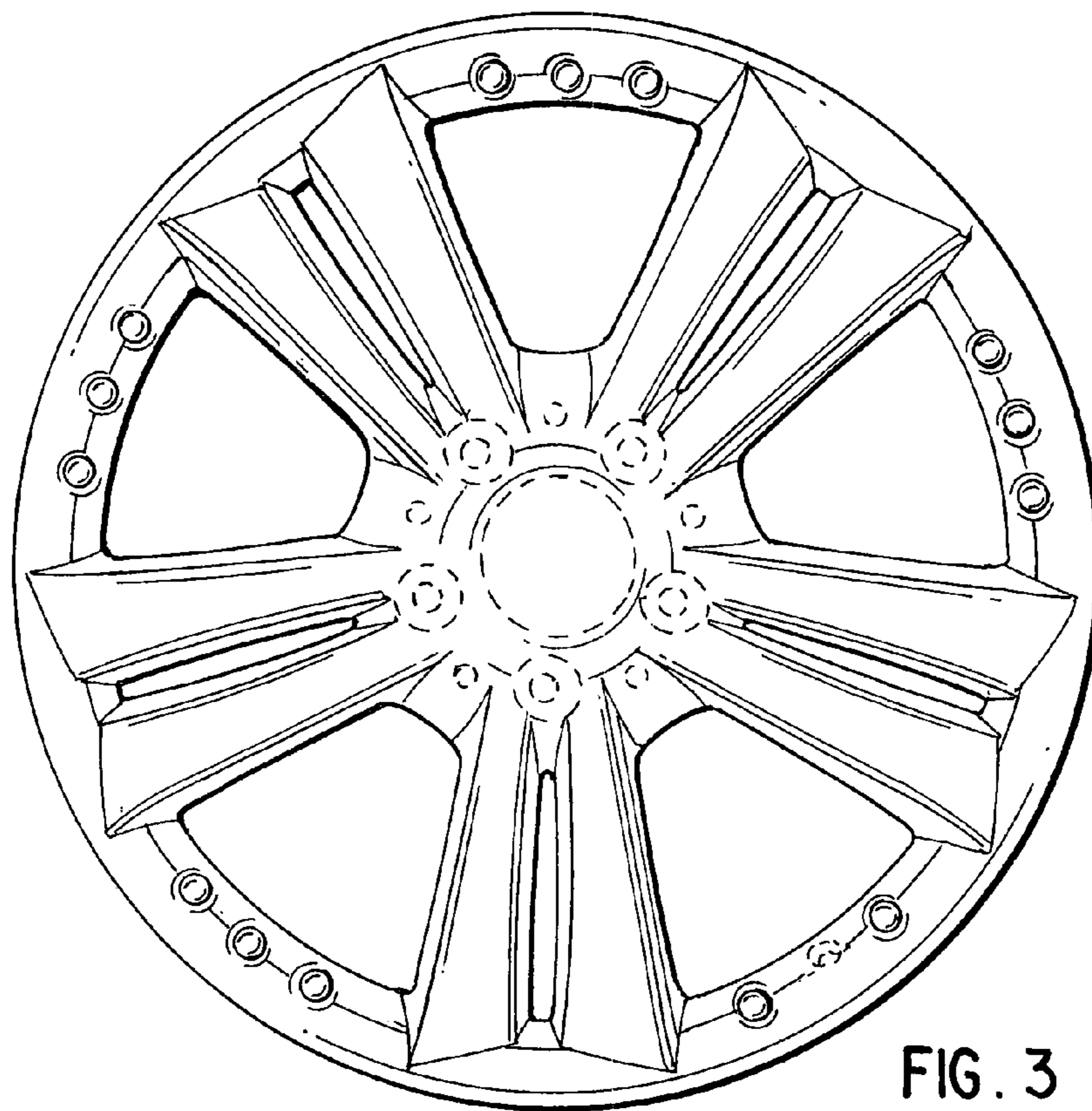


FIG. 3

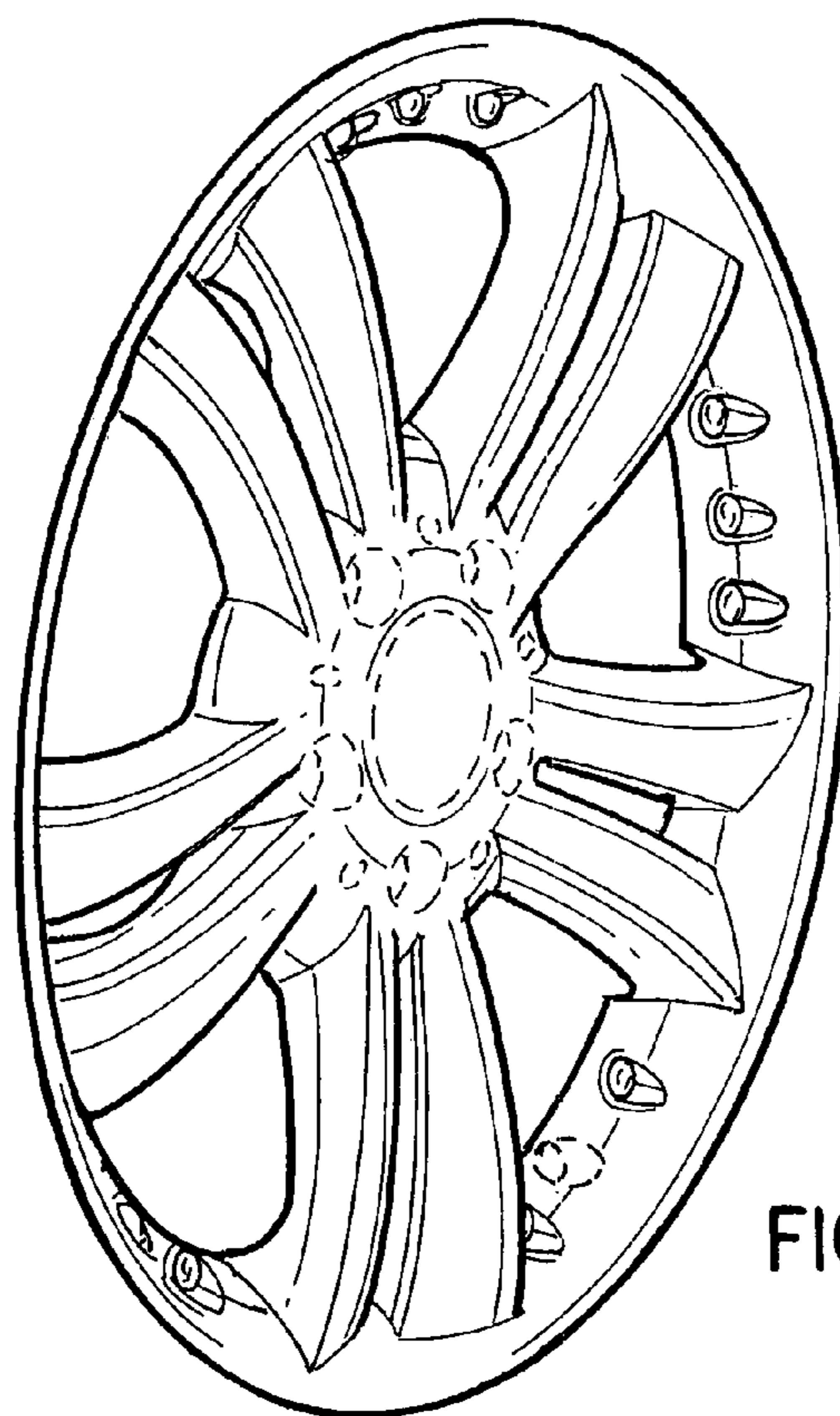


FIG. 4