



US00D575716S

(12) **United States Design Patent**
Chung

(10) **Patent No.:** **US D575,716 S**

(45) **Date of Patent:** **** Aug. 26, 2008**

(54) **WHEEL**

(75) Inventor: **Suny Chung**, Yorba Linda, CA (US)

(73) Assignee: **Wheel Pros, LLC**, Lakewood, CO (US)

(**) Term: **14 Years**

(21) Appl. No.: **29/303,890**

(22) Filed: **Feb. 20, 2008**

(51) **LOC (8) Cl.** **12-16**

(52) **U.S. Cl.** **D12/209**

(58) **Field of Classification Search** D12/204–213;
301/37.101, 64.101, 65, 64.201

See application file for complete search history.

(56) **References Cited**

U.S. PATENT DOCUMENTS

D214,620 S	7/1969	Barris	
D417,427 S	12/1999	Brown	
D429,206 S *	8/2000	Ito	D12/211
D436,339 S	1/2001	Fitzgerald	
D449,267 S	10/2001	Fitzgerald	
D454,826 S *	3/2002	Kaucher	D12/211
D456,757 S	5/2002	Schroeder	
D457,849 S	5/2002	Kataoka	
D459,691 S	7/2002	Takechi	
D460,941 S	7/2002	Muzzarelli	
D461,155 S	8/2002	Takechi	
D461,444 S *	8/2002	Bernoni	D12/211

(Continued)

Primary Examiner—Stacia Cadmus

(74) *Attorney, Agent, or Firm*—Garcia-Zamor IP Law; Ruy M. Garcia-Zamor

(57) **CLAIM**

I claim the ornamental design for a wheel, as shown and described.

DESCRIPTION

FIG. 1 is a perspective view of a wheel according to a preferred embodiment of my new design;

FIG. 2 is a front elevational view of the wheel of FIG. 1;

FIG. 3 is a top plan view of the wheel of FIG. 1;

FIG. 4 is a bottom plan view of the wheel of FIG. 1;

FIG. 4 is a top plan view of the wheel of FIG. 1;

FIG. 5 is a left side elevational view of the wheel of FIG. 1;

FIG. 6 is a right side elevational view of the wheel of FIG. 1;

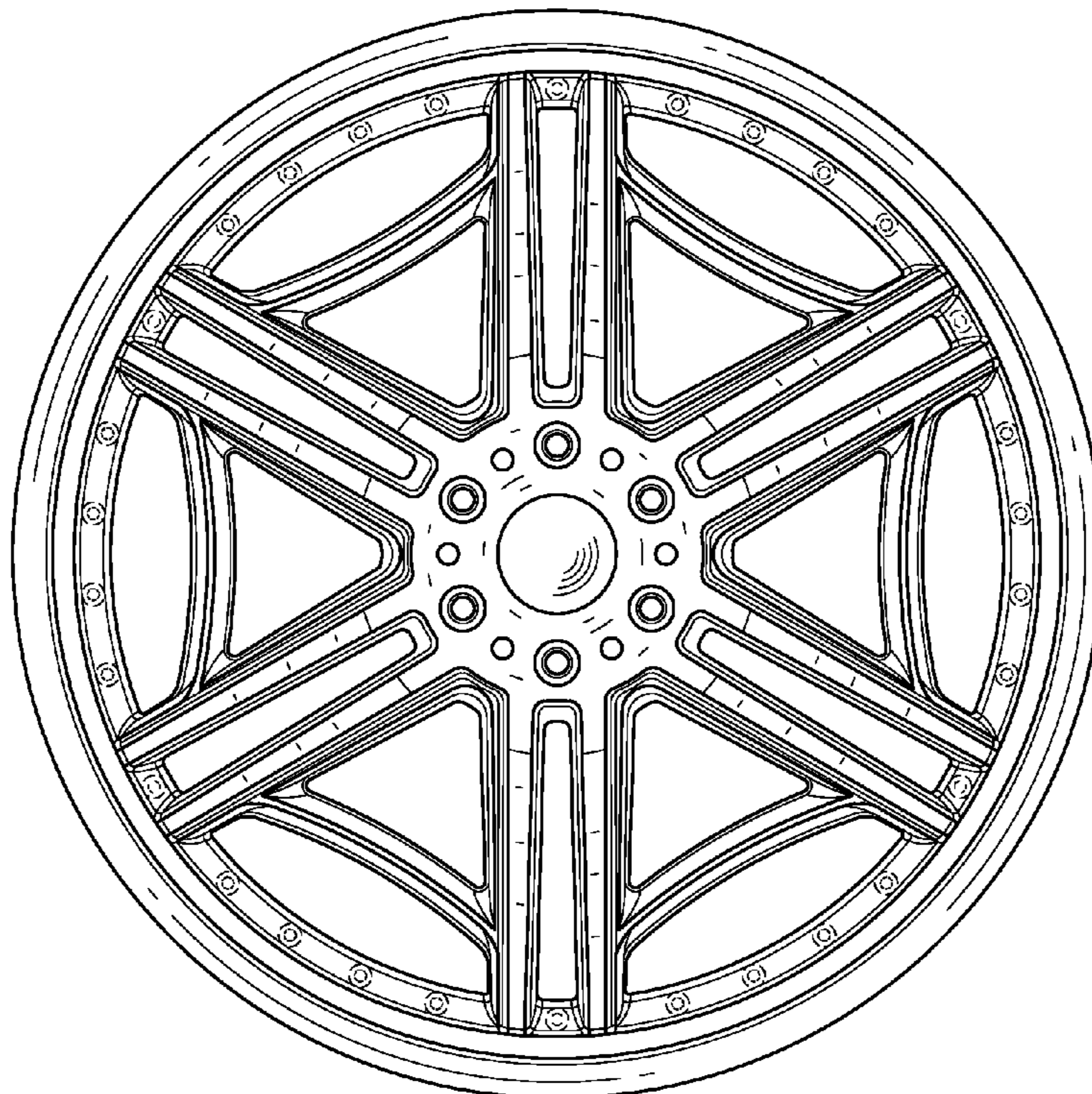
FIG. 7 is a rear elevational view of the wheel of FIG. 1;

FIG. 8 is a perspective view of a wheel according to a second preferred embodiment of my new design; and,

FIG. 9 is a front elevational view of the wheel of FIG. 8; Portions of the wheel not shown in FIGS. 8 and 9 are disclaimed as forming no part of the claimed design.

The broken lines in FIGS. 1–9 represent environment and are for illustrative purposes only and do not constitute part of the claimed design.

1 Claim, 7 Drawing Sheets



US D575,716 S

Page 2

U.S. PATENT DOCUMENTS

D465,758 S	11/2002	Plessing		D492,240 S	6/2004	Suciu	
D467,857 S	12/2002	Chung		D493,406 S	7/2004	Kataoka	
D468,678 S	1/2003	Oh		D494,523 S	8/2004	Koenigsberg	
D471,500 S	3/2003	Kataoka		D495,285 S	8/2004	Phillips	
D471,503 S	3/2003	Baumgartner		D497,133 S	10/2004	Cheng	
D474,141 S	5/2003	Foose		D497,134 S	10/2004	Anerson et al.	
D475,962 S	6/2003	Chung		D497,139 S	10/2004	Anderson et al.	
D478,306 S	8/2003	Brown et al.		D499,060 S	11/2004	Cahyono	
D479,174 S *	9/2003	McMath D12/209	D504,099 S	4/2005	Boyer	
D481,346 S	10/2003	Vian		D505,651 S	5/2005	Arellano et al.	
D481,347 S	10/2003	Kang		D506,429 S	6/2005	Arellano et al.	
D484,083 S	12/2003	Tai		D507,222 S	7/2005	Arellano et al.	
D484,084 S	12/2003	Tai		D513,726 S	1/2006	Kamimura	
D486,114 S	2/2004	Lai		D516,004 S *	2/2006	Hernandez D12/211
D487,882 S	3/2004	Cahyono		D527,699 S	9/2006	Kiesel	
D488,116 S	4/2004	Chung		D533,128 S *	12/2006	Aydin D12/209
D488,422 S	4/2004	Hartanto		D535,008 S *	1/2007	Wu D12/209
D488,762 S	4/2004	Cahyono		D547,709 S *	7/2007	James et al. D12/209
D488,763 S	4/2004	Takechi		D560,586 S *	1/2008	Cheng D12/209
D490,040 S	5/2004	Foose		D567,733 S *	4/2008	Arora D12/209
D492,234 S	6/2004	Kataoka		D567,736 S *	4/2008	Kim D12/209
				D569,323 S *	5/2008	Laengerer D12/211

* cited by examiner

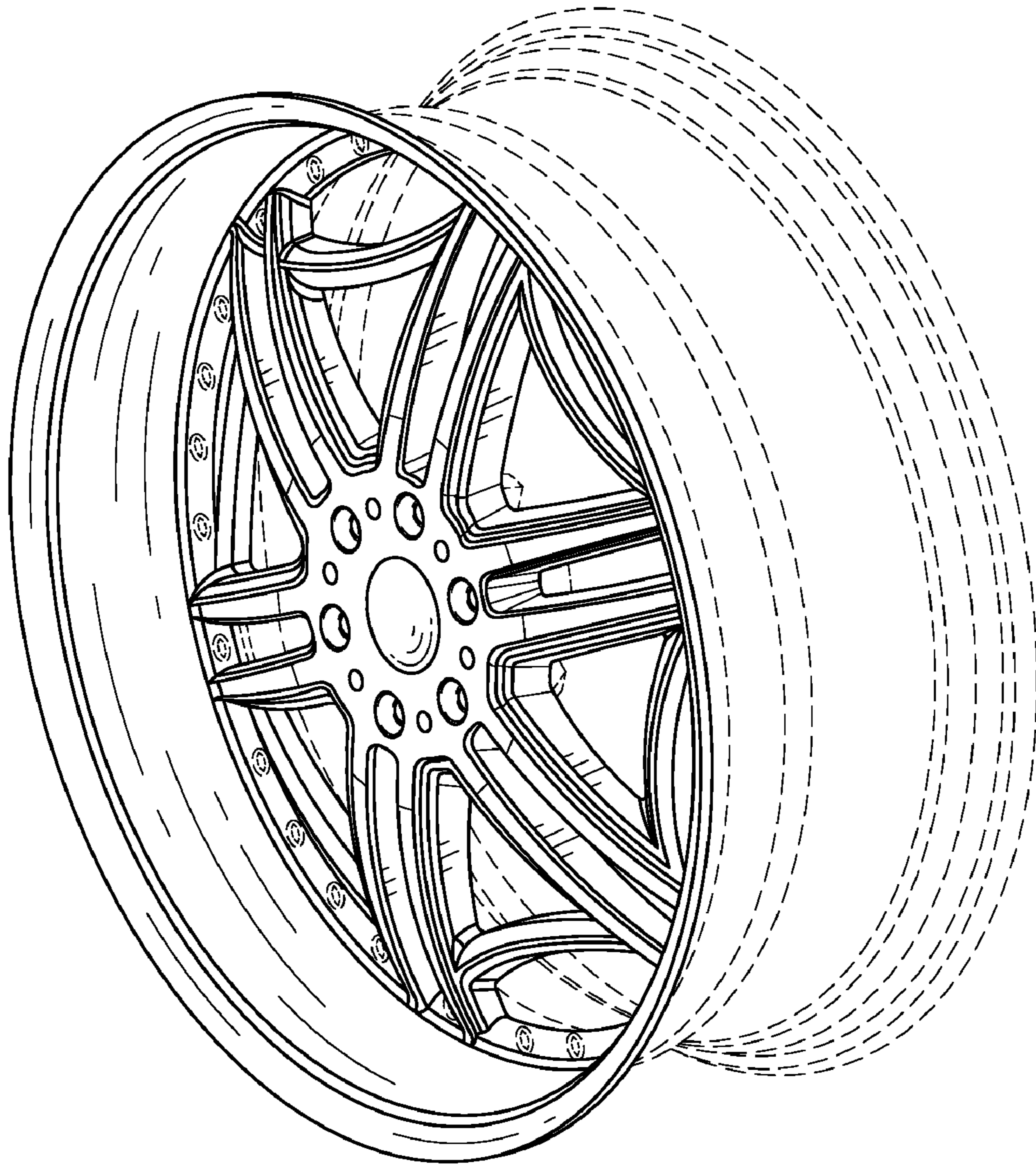


Fig. 1

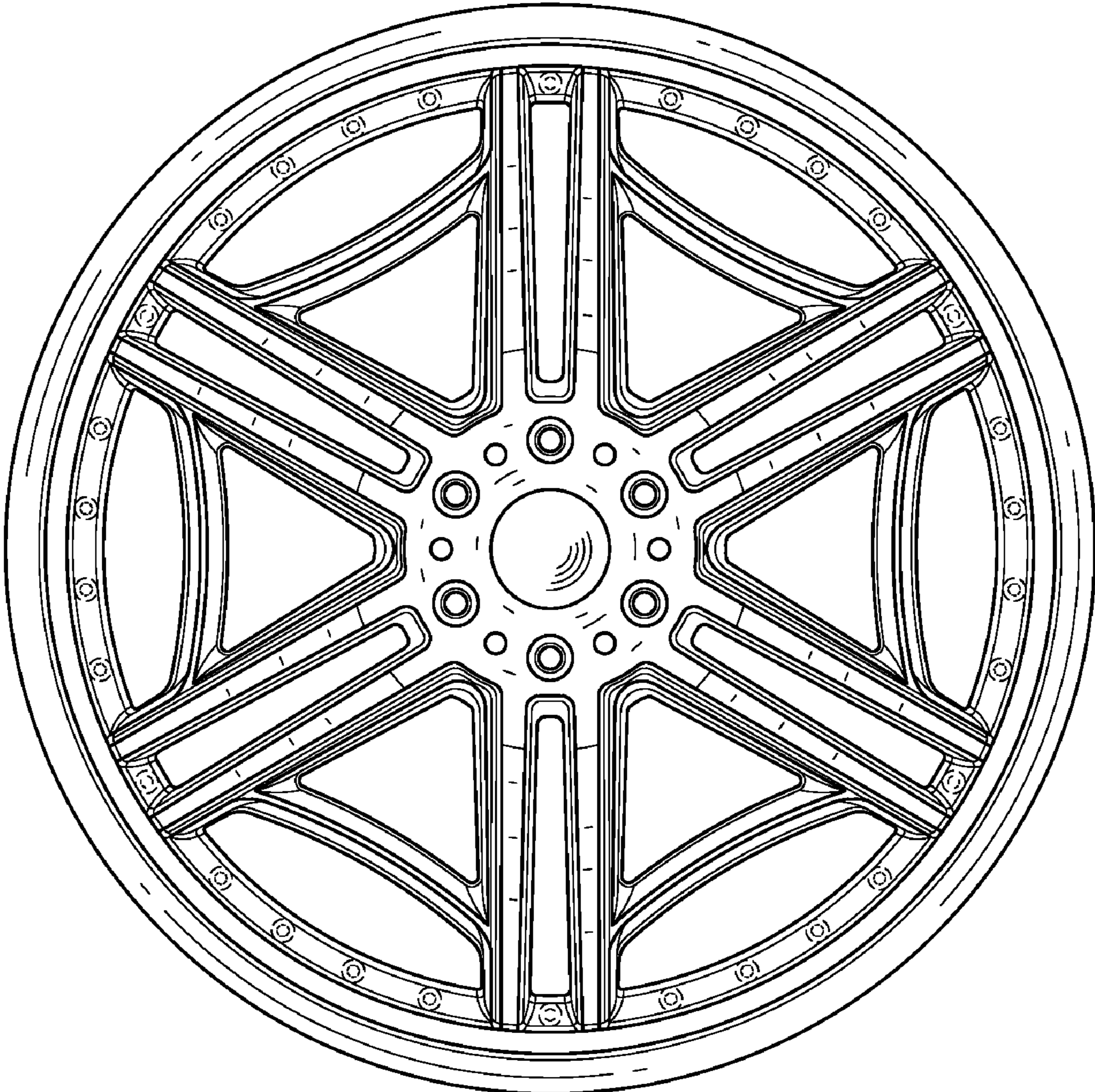


Fig. 2

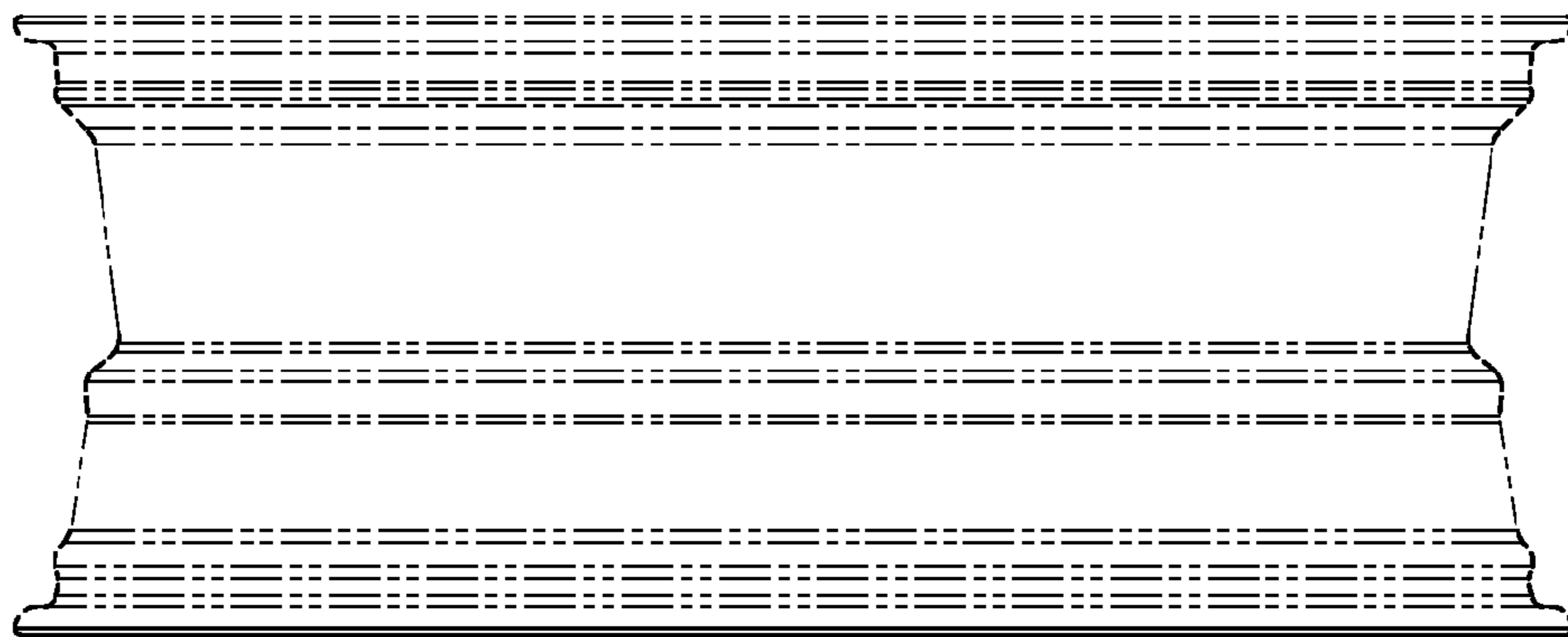


Fig. 3

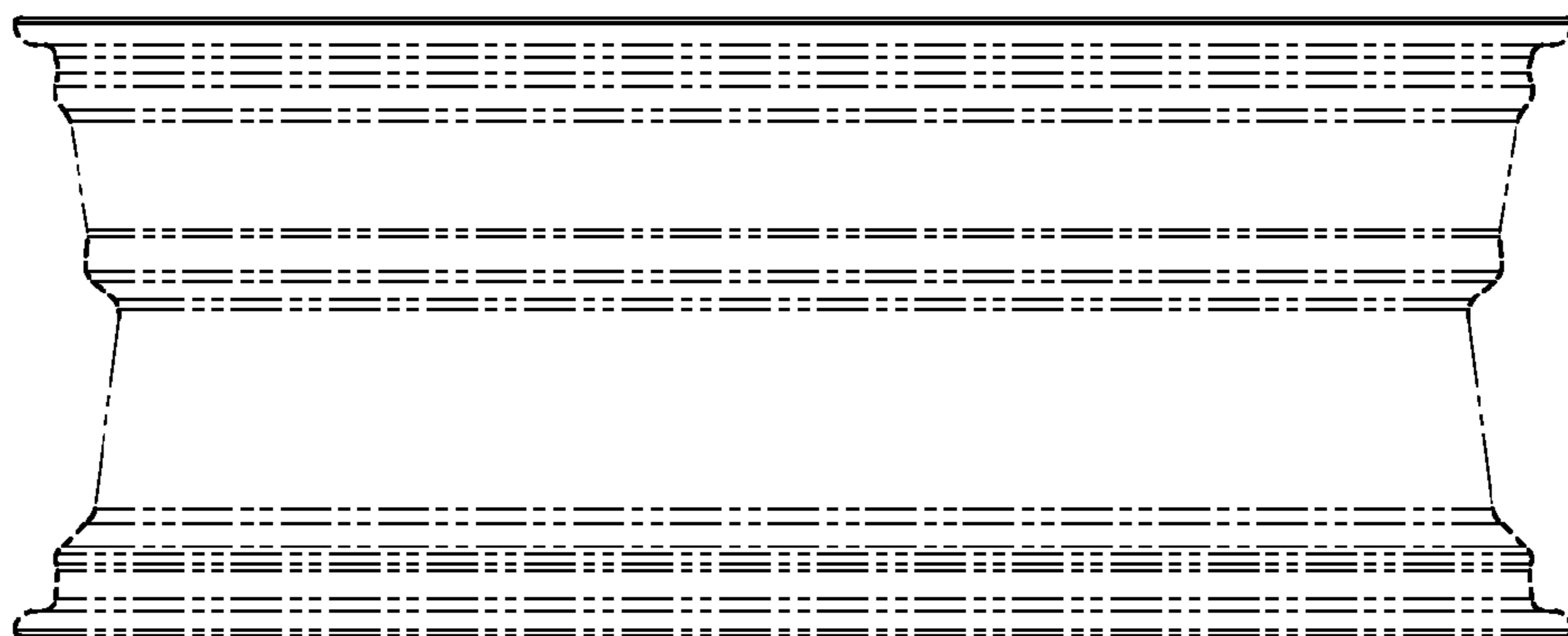


Fig. 4

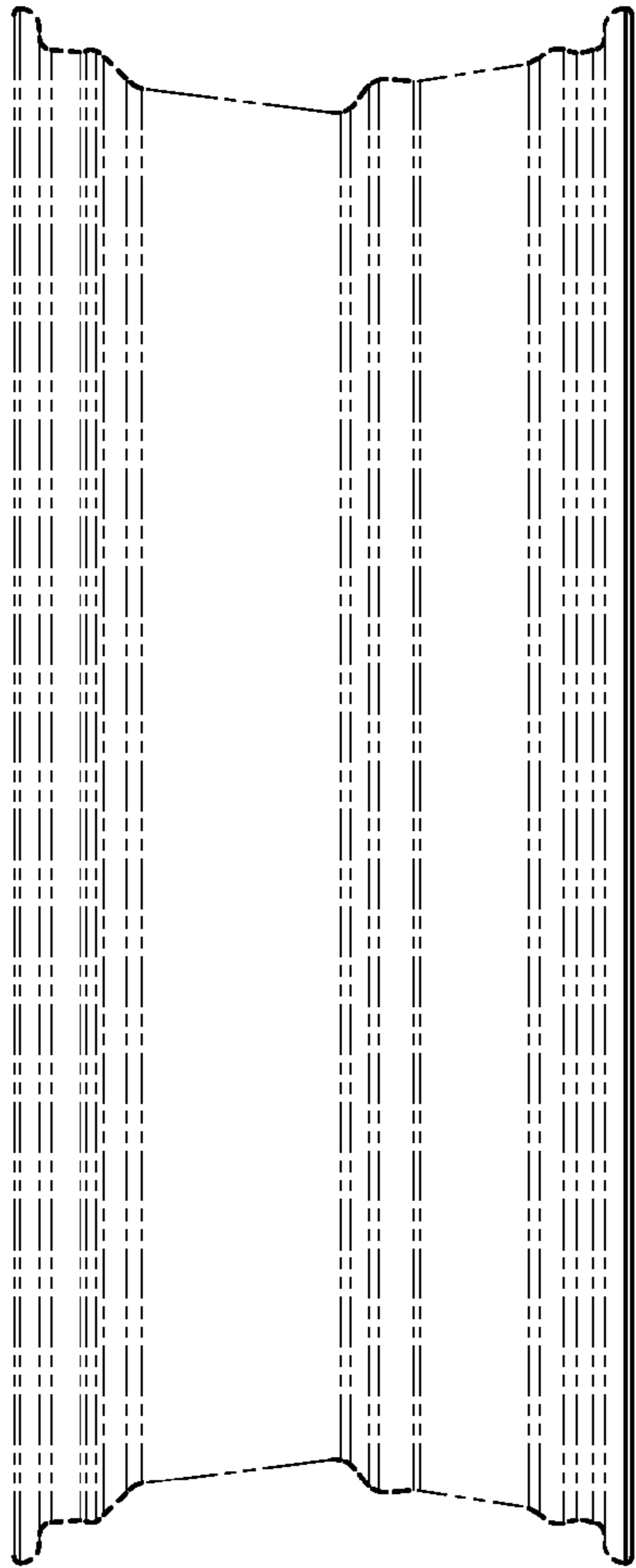


Fig. 5

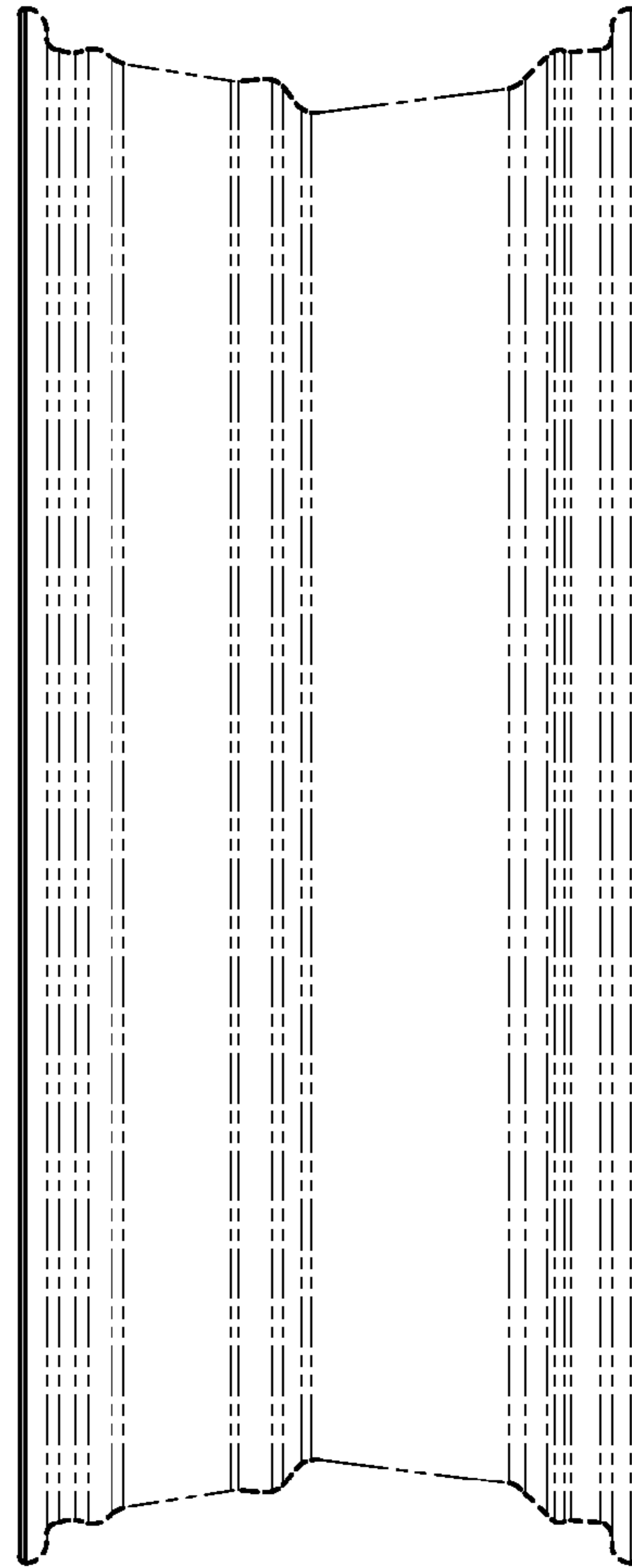


Fig. 6

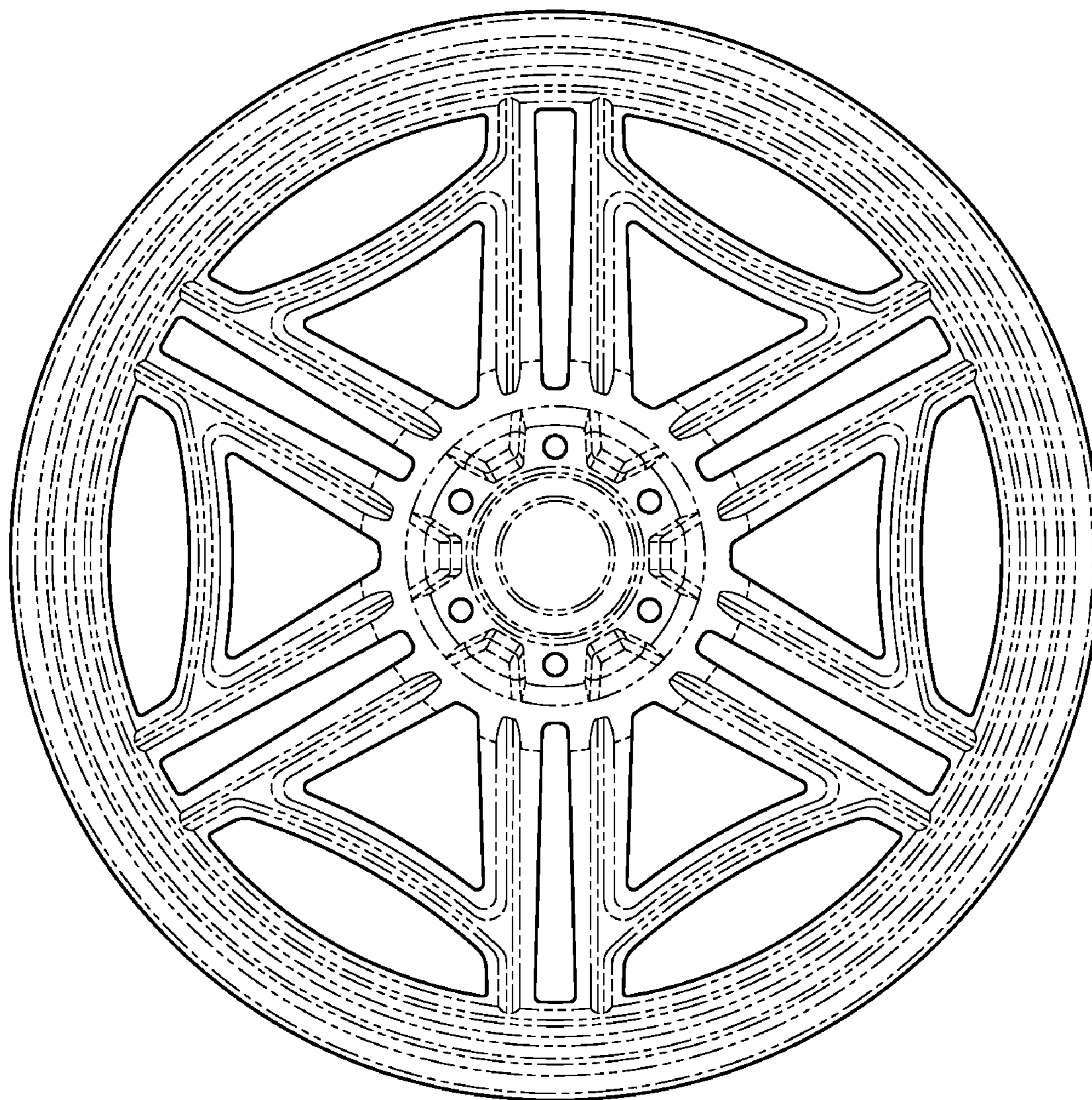


Fig. 7

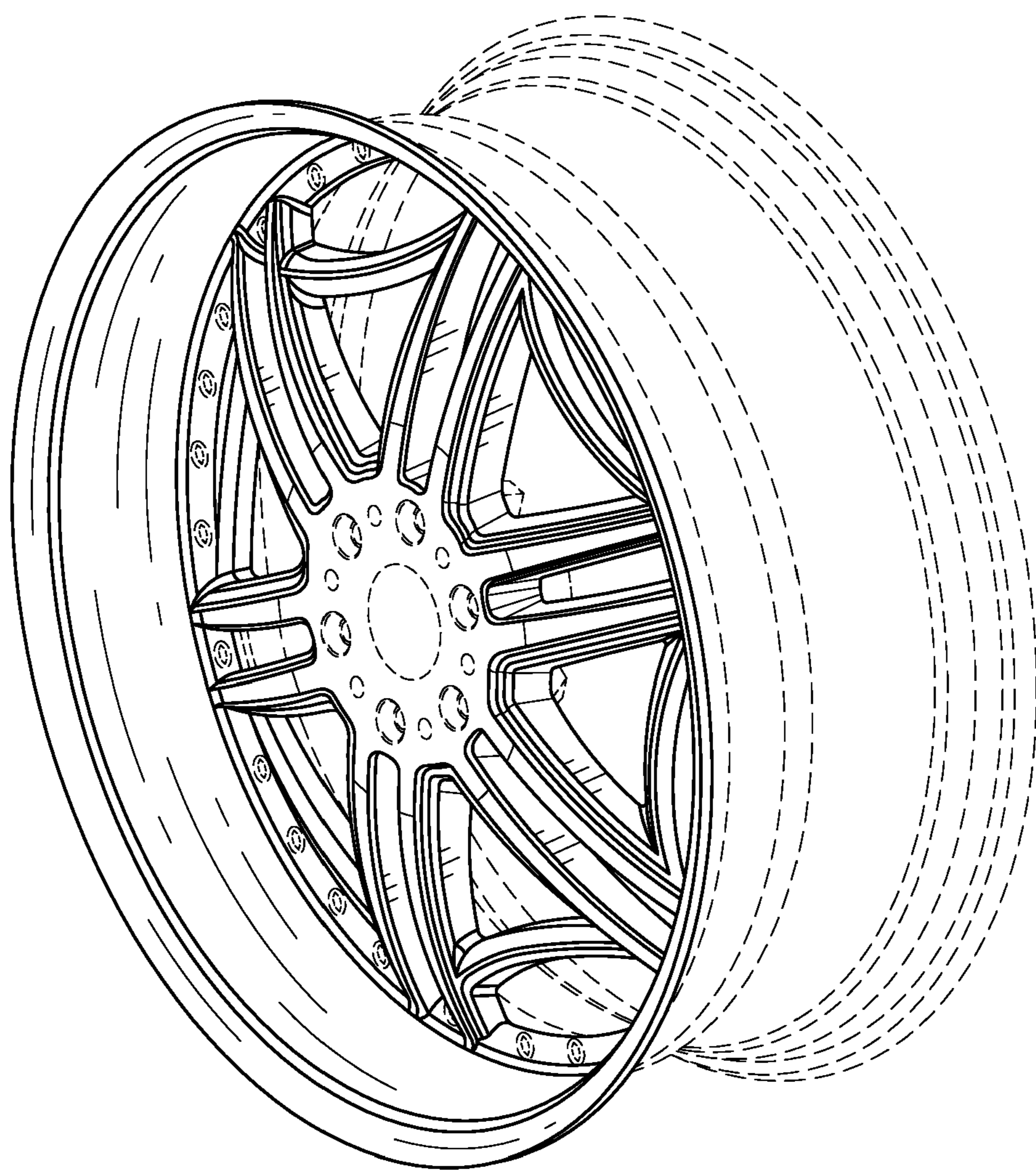


Fig. 8

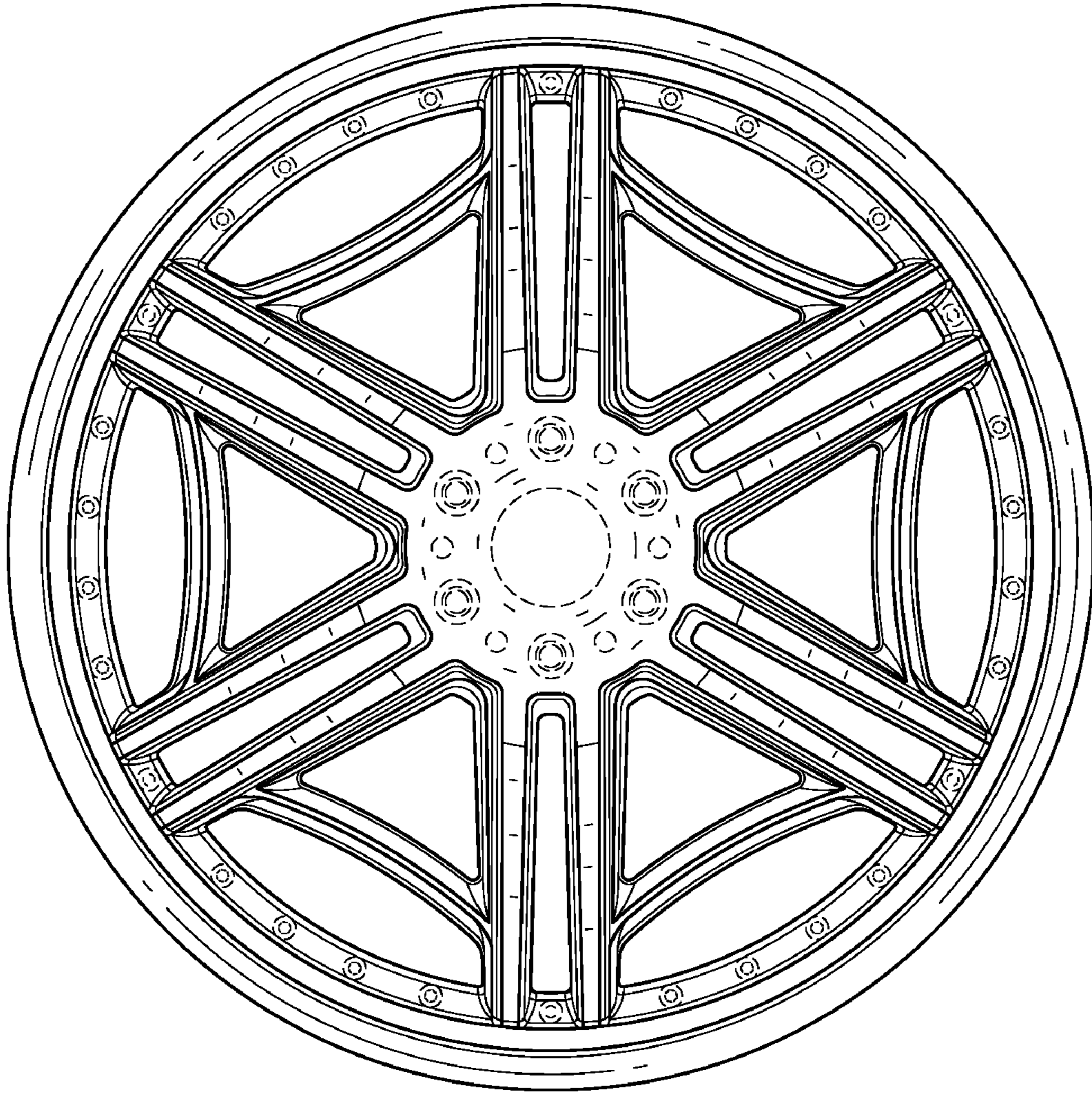


Fig. 9