



US00D575715S

(12) **United States Design Patent**  
**Nissl**

(10) **Patent No.:** **US D575,715 S**

(45) **Date of Patent:** **\*\* Aug. 26, 2008**

(54) **FRONT FACE OF A VEHICLE WHEEL**

(75) Inventor: **Florian Dieter Nissl**, Munich (DE)

(73) Assignee: **Bayerische Motoren Werke  
Aktiengesellschaft**, Munich (DE)

(\*\*) Term: **14 Years**

(21) Appl. No.: **29/290,529**

(22) Filed: **Dec. 13, 2007**

(30) **Foreign Application Priority Data**

Jun. 14, 2007 (DE) ..... 4 07 03 114

(51) **LOC (8) Cl.** ..... **12-16**

(52) **U.S. Cl.** ..... **D12/209**

(58) **Field of Classification Search** ..... D12/204-213;  
301/37.101, 64.101, 65, 64.201  
See application file for complete search history.

(56) **References Cited**

**U.S. PATENT DOCUMENTS**

- D436,568 S \* 1/2001 Chung ..... D12/209
- D436,907 S \* 1/2001 Ong ..... D12/209
- D451,464 S \* 12/2001 Bernoni ..... D12/209
- D466,460 S \* 12/2002 Kataoka ..... D12/209
- D479,173 S \* 9/2003 McMath ..... D12/209

- D480,032 S \* 9/2003 Muzzarelli ..... D12/209
- D480,344 S \* 10/2003 Muzzarelli ..... D12/209
- D484,838 S \* 1/2004 Tai ..... D12/209
- D488,762 S \* 4/2004 Cahyono ..... D12/209
- D491,866 S 6/2004 Warming
- D503,917 S \* 4/2005 Kushartanto ..... D12/209
- D505,371 S \* 5/2005 Hueller ..... D12/209
- D515,997 S \* 2/2006 Phillips ..... D12/209
- D519,905 S \* 5/2006 Muzzarelli ..... D12/209
- D526,609 S \* 8/2006 Hosoi ..... D12/209
- D530,254 S \* 10/2006 Kim ..... D12/209
- D538,215 S \* 3/2007 Laengerer et al. .... D12/209

\* cited by examiner

*Primary Examiner*—Stacia Cadmus

(74) *Attorney, Agent, or Firm*—Crowell & Moring LLP

(57) **CLAIM**

The ornamental design for a front face of a vehicle wheel, as shown and described.

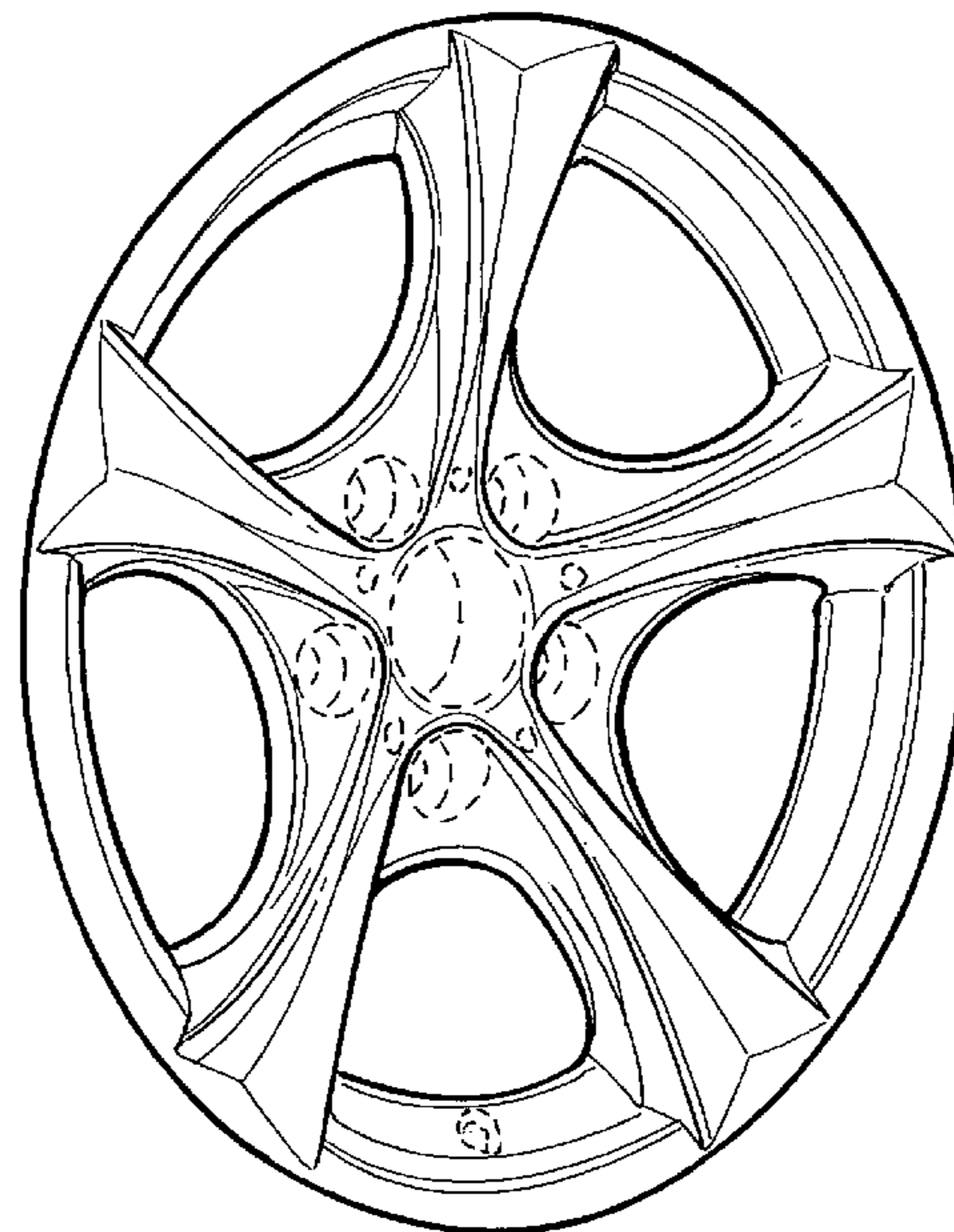
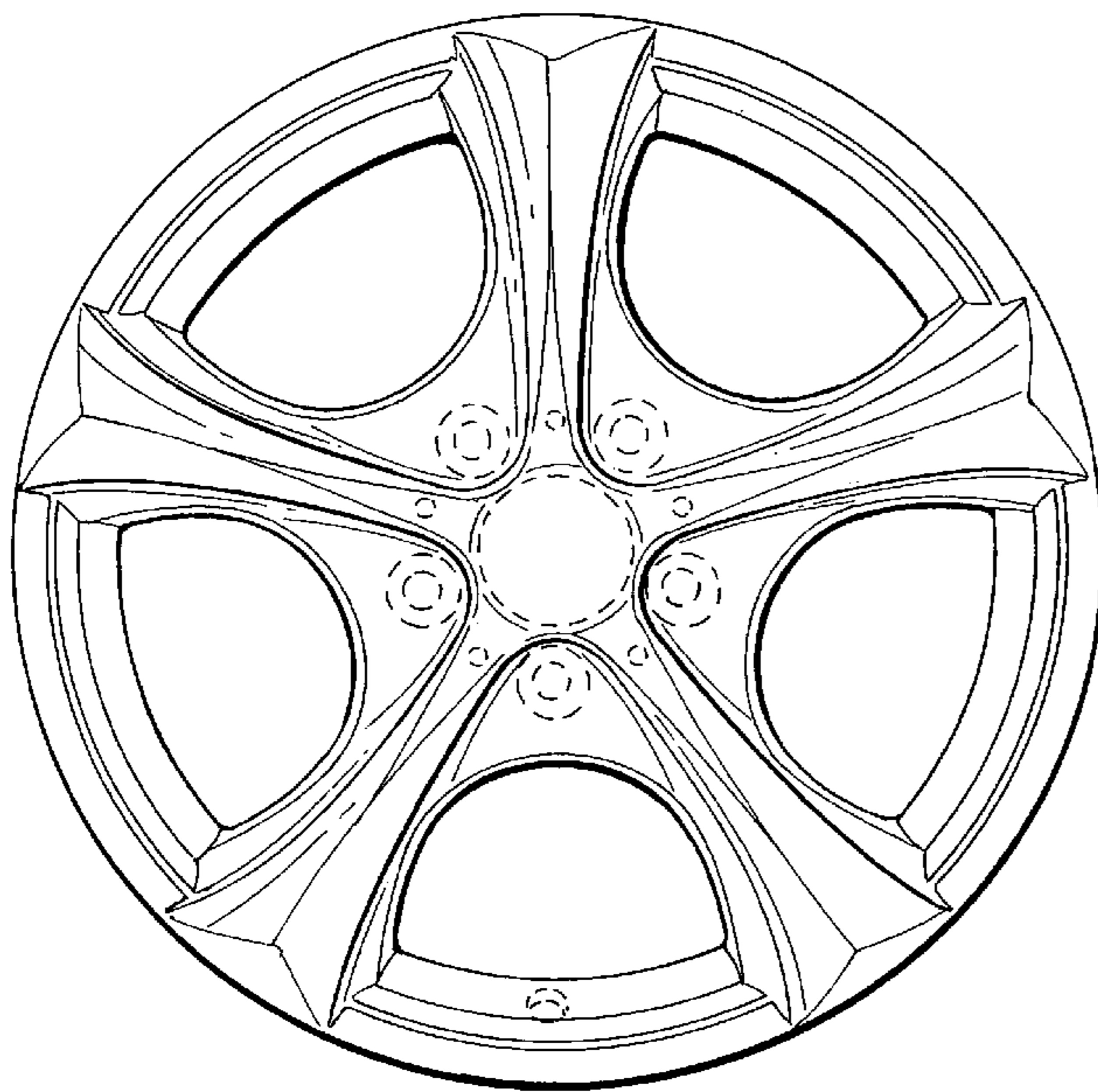
**DESCRIPTION**

FIG. 1 is a front view of a front face of a vehicle wheel according to my novel design; and,

FIG. 2 is a perspective view thereof.

The broken lines are for illustrative purposes only and form no part of the claimed design.

**1 Claim, 1 Drawing Sheet**



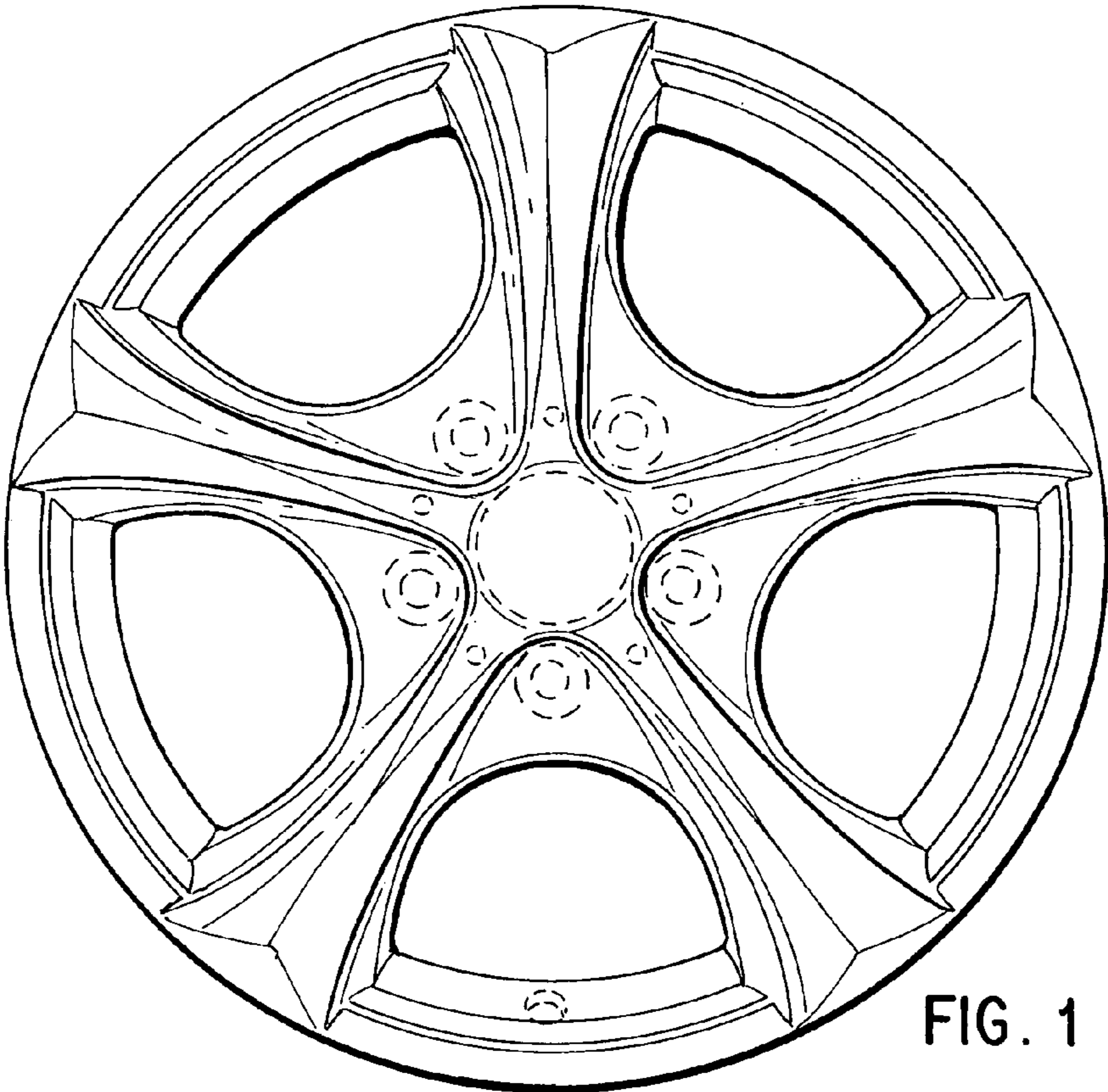


FIG. 1

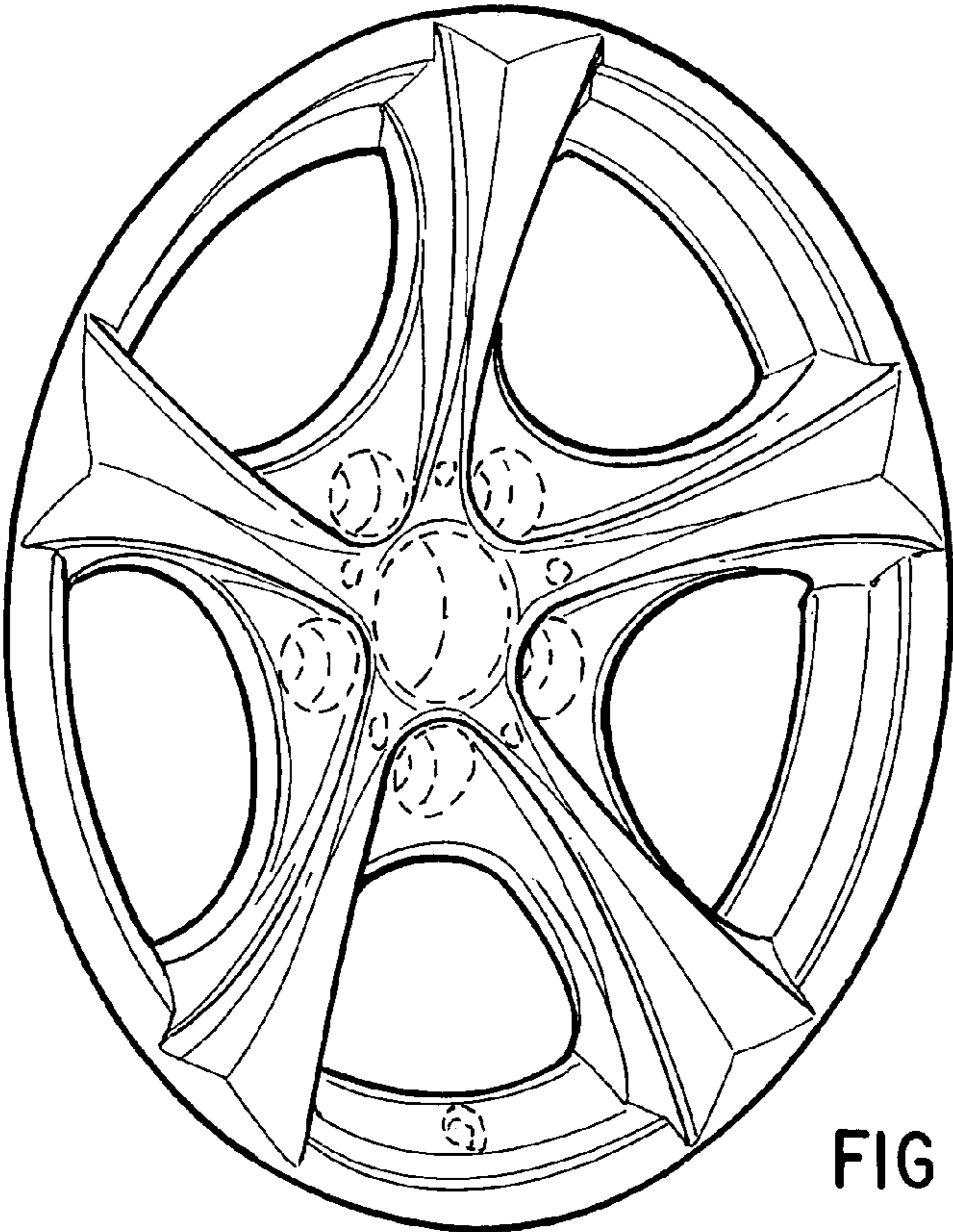


FIG. 2