



US00D575699S

(12) **United States Design Patent**
Chiang

(10) **Patent No.:** **US D575,699 S**

(45) **Date of Patent:** **** Aug. 26, 2008**

(54) **ENGINE HOOD FOR AUTOMOBILES**

D518,761 S * 4/2006 Chiang D12/173
D523,792 S * 6/2006 Saridakis et al. D12/173

(75) Inventor: **Tommy Chiang**, Taipei (TW)

* cited by examiner

(73) Assignee: **Grand HC Auto Tooling Corp.**, Taipei (TW)

Primary Examiner—Melody N Brown
(74) *Attorney, Agent, or Firm*—Troxell Law Office, PLLC

(**) Term: **14 Years**

(57) **CLAIM**

(21) Appl. No.: **29/287,754**

The ornamental design for an engine hood for automobiles, as shown and described.

(22) Filed: **Sep. 14, 2007**

(51) **LOC (8) Cl.** **12-16**

DESCRIPTION

(52) **U.S. Cl.** **D12/173**

(58) **Field of Classification Search** D12/173,
D12/196, 86, 90-92; 180/69.21, 69.2, 69.22
See application file for complete search history.

FIG. 1 is a perspective view of an engine hood for automobiles;

FIG. 2 is a front view thereof;

FIG. 3 is a rear view thereof;

FIG. 4 is a left side view thereof;

FIG. 5 is a right side view thereof;

FIG. 6 is a top view thereof; and,

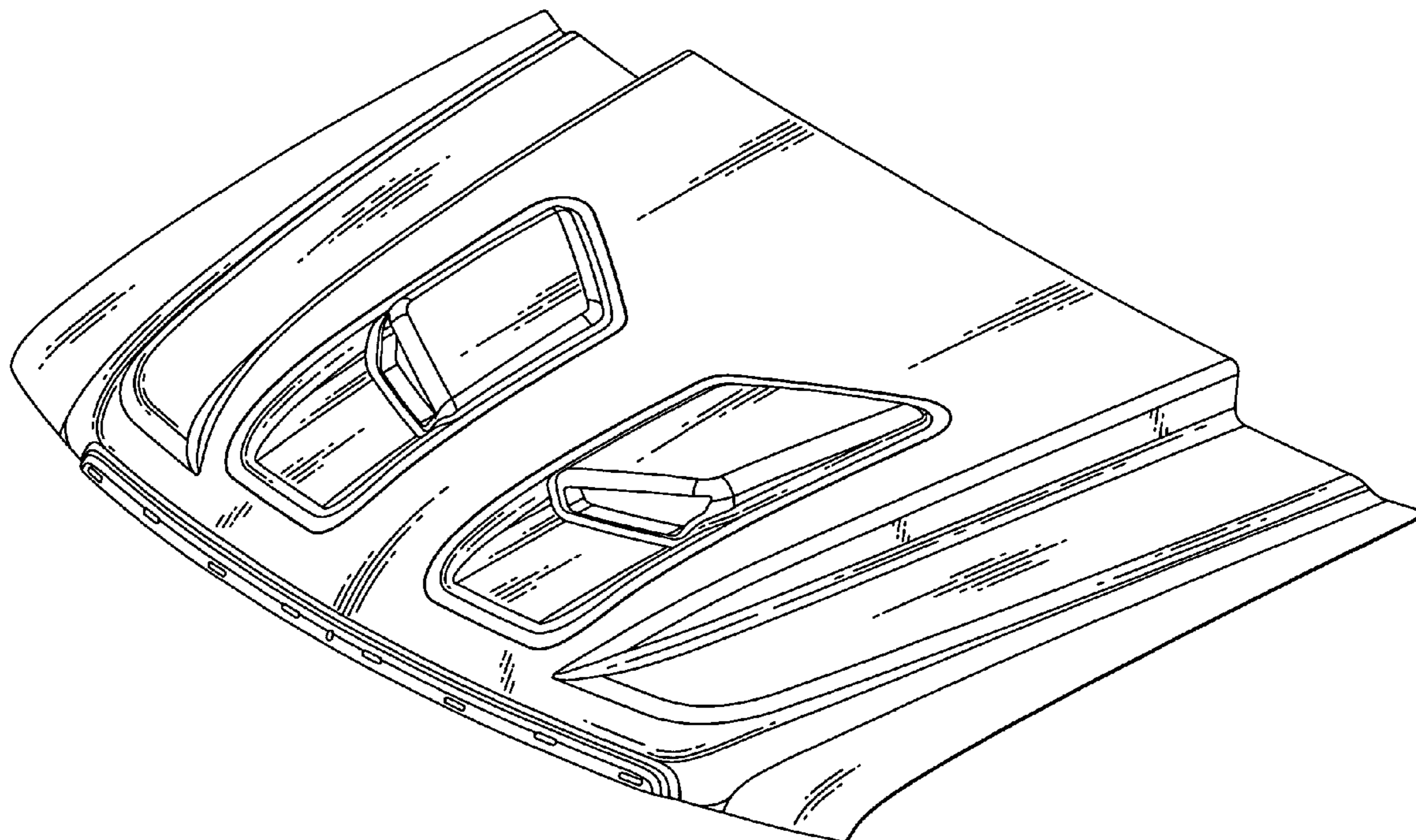
FIG. 7 is a bottom view thereof.

(56) **References Cited**

U.S. PATENT DOCUMENTS

D475,332 S * 6/2003 Chiang D12/173
D478,301 S * 8/2003 Chiang D12/173
D498,445 S * 11/2004 Chiang D12/173
D510,305 S * 10/2005 Chiang D12/173
D514,483 S * 2/2006 Chiang D12/173

1 Claim, 5 Drawing Sheets



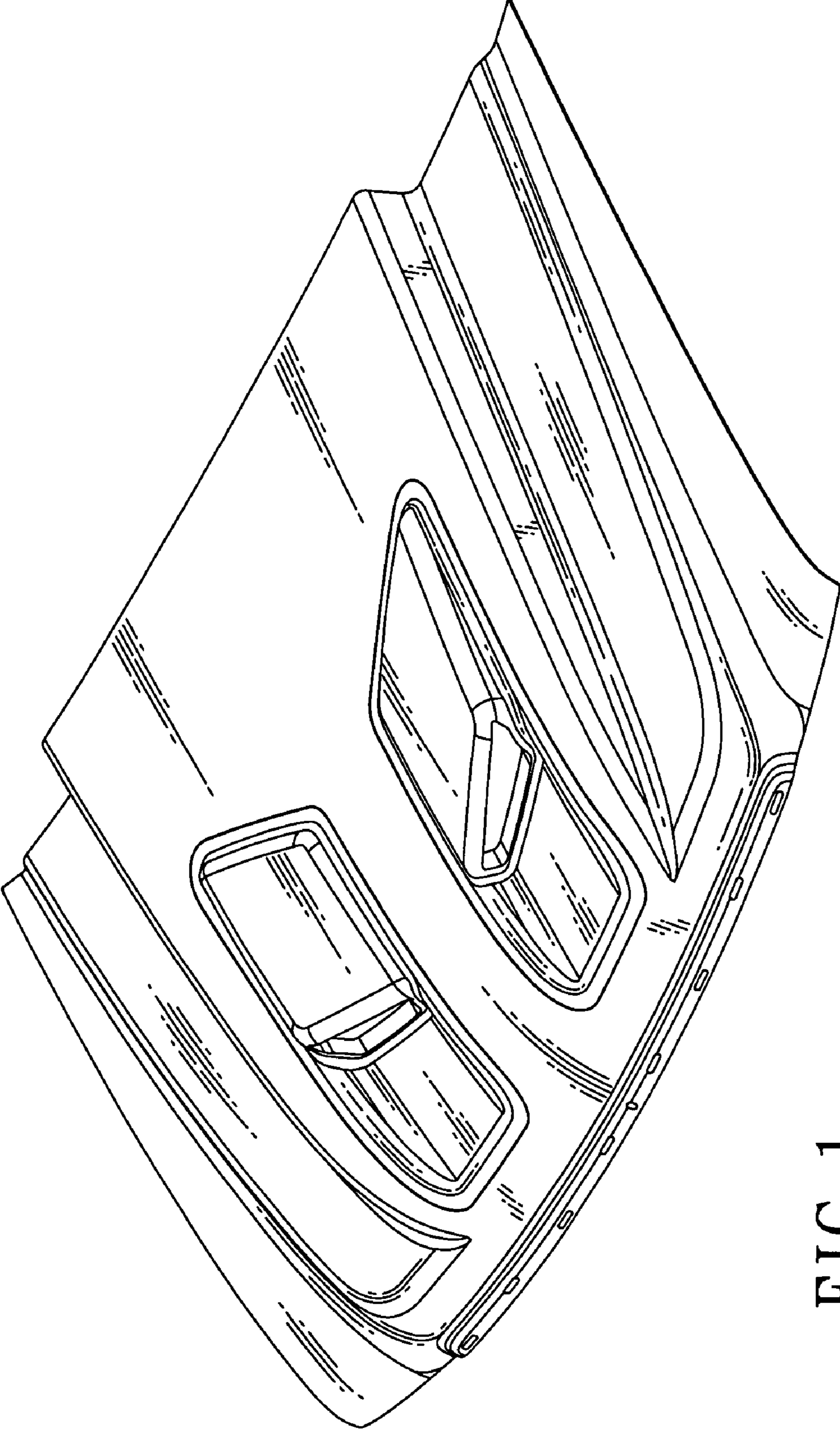


FIG. 1

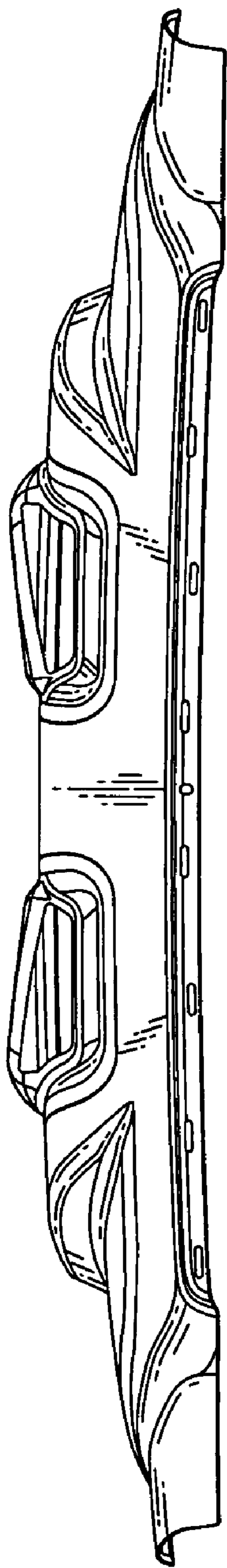


FIG. 2

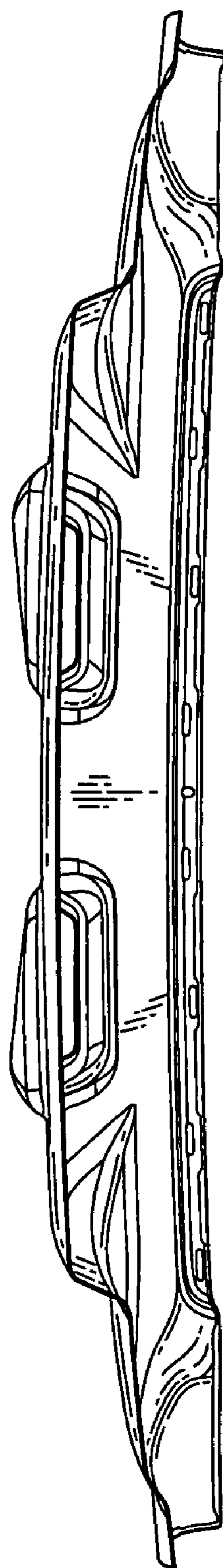


FIG. 3



FIG. 4

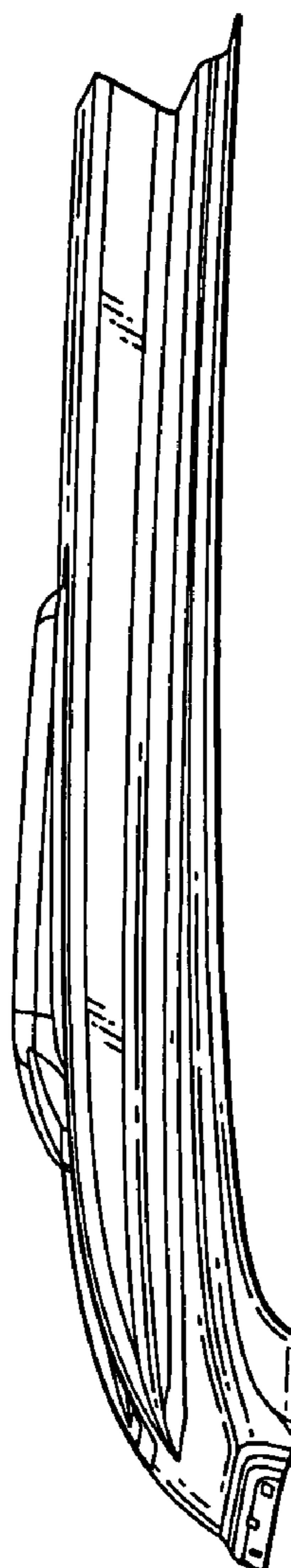


FIG. 5

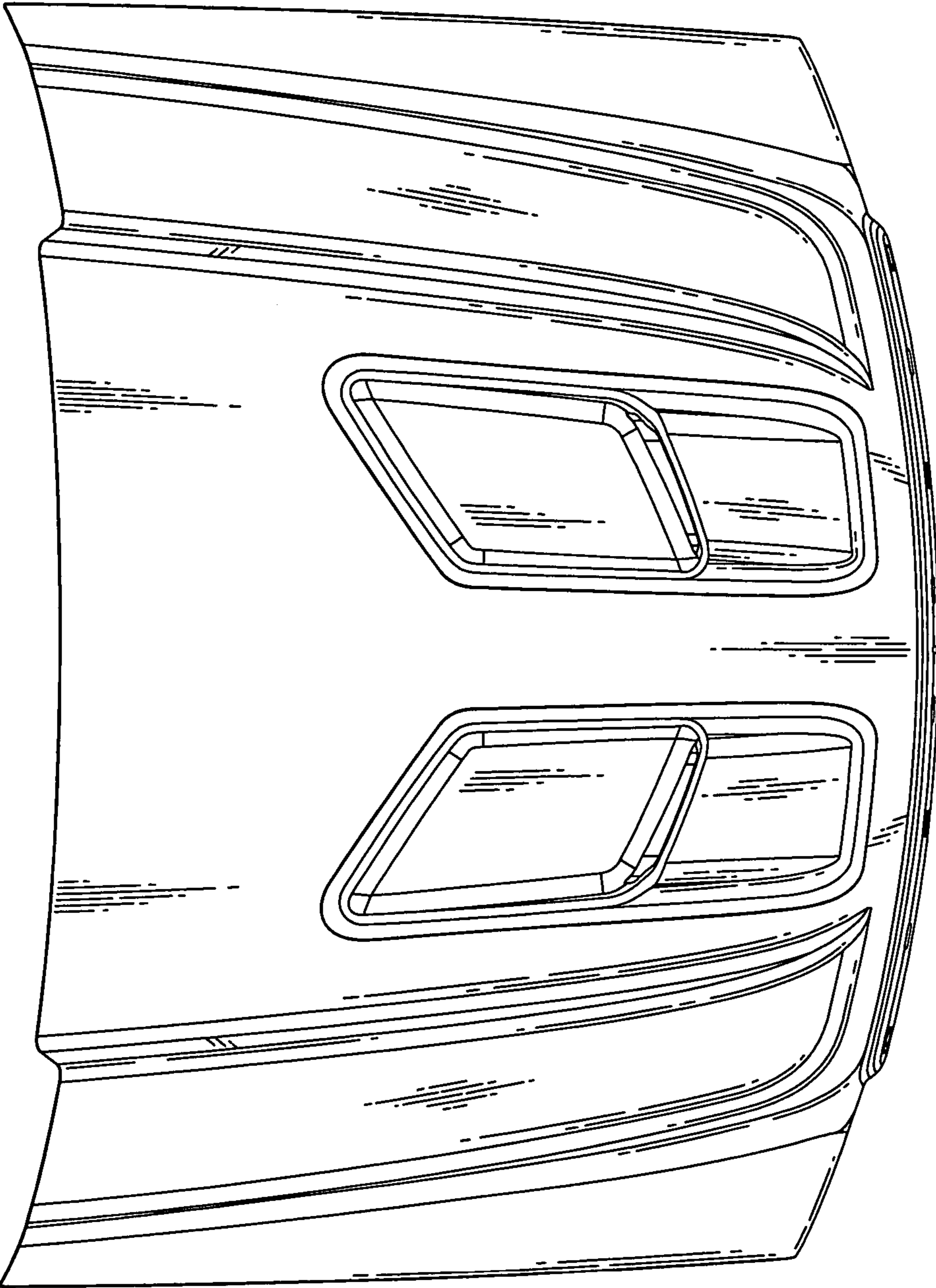


FIG. 6

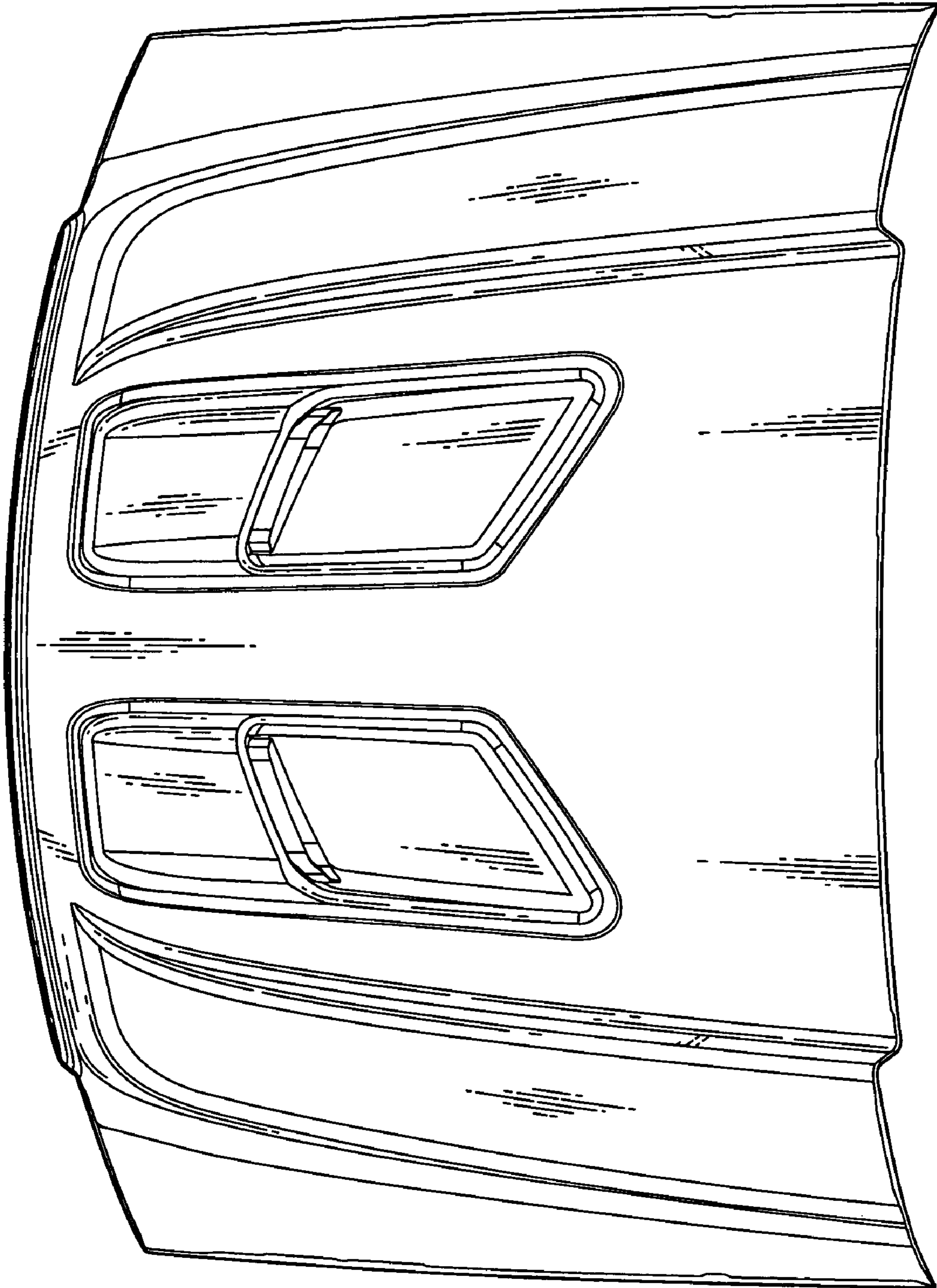


FIG. 7